



CB 425

LIST OF THE EXPLODED VIEWS



SHELL ASSY

COOLING SYSTEM

HYDRAULIC CIRCUIT

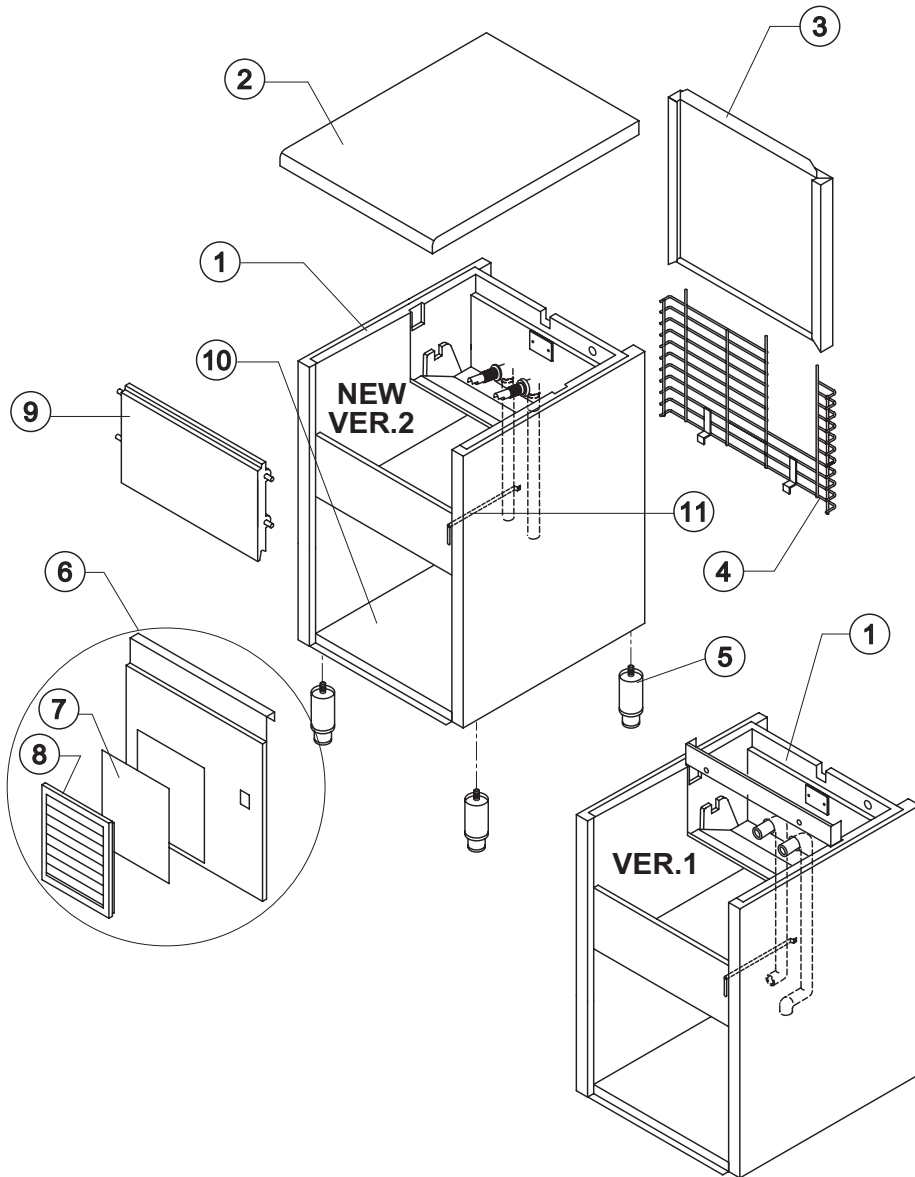
ELECTRIC PARTS

Rev. 6 - 03/08/2007



CB 425

SHELL ASSY



Rev. 6 - 03/08/2007

Ref.	Spare Description	Code
1	Foamed Cabinet Assy	See Table
2	Top Assembly	C22692
3	Rear Panel Assembly	C21183
4	Rear Grid	D12006
5	Adjustable Stainless Steel Foot	Current Version
5	ABS Foot	Till s/n. 141256
6	Front Grid Panel	Current Version
6	Front Panel	Till s/n. 28691
7	Filtering Panel	18106
8	Frame + Grid & Filter	C10205
9	Door Assy	C10297
10	Base Plate	Current Version
10	Base Plate	Till s/n. 141256
11	Bulb-holder Pipe	20522

Ref. 1 - Foamed Cabinet Assy
Version 1

Kind of Cube	Code
18 g. (Standard)	C11014/E
33 g.	C11014/E
13 g.	C11014/ED

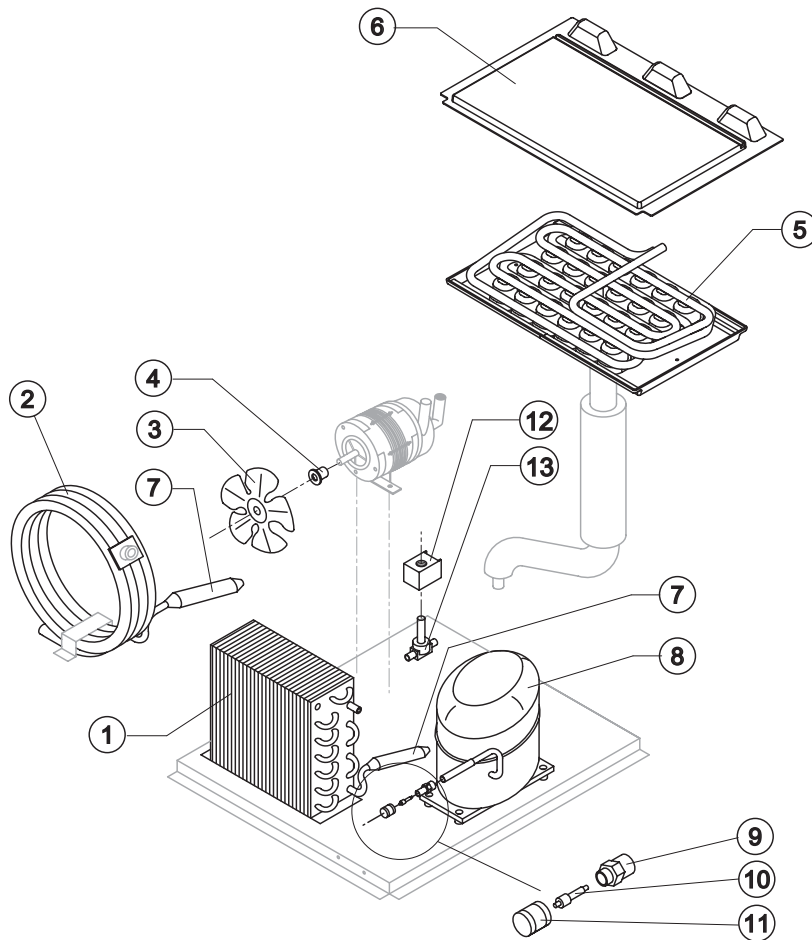
Ref. 1 - Foamed Cabinet Assy
Version 2

Condensation	Code
Air	RC11014A
Water	RC11014W



CB 425

COOLING SYSTEM



Common Parts

Ref.	Spare Description	Code
3	Sucking Fan	10213
4	Fan Fixing Hub	10014
5	Evaporator	See Table
6	Evaporator Cover Panel	Current Version
6	Evaporator Cover Panel	Till s/n. 224530
7	Molecular Drier	14009
8	Compressor	See Table
9	Vacuum-Charge Valve Body	14007
10	Vacuum-Charge Valve Device	14005
11	Vacuum-Charge Valve Plug	14006
12	Hot Gas Valve Coil	See Table
13	Hot Gas Valve Body	20410

Parts for Air Cooled Version Only

Ref.	Spare Description	Code
1	Air Condenser	20019

Parts for Water Cooled Version Only

Ref.	Spare Description	Code
2	Water Condenser	Current Version
2	Water Condenser	Till s/n. 151057

Ref. 5 - Evaporator

Kind of Cube	Code
18 g. (Standard)	D10046
33 g.	D10089
13 g.	D10417
42 g.	D10465

Ref. 8 - Compressor

Tension	Code
220/240V 50 Hz	23505A
220/230V 60 Hz	23495
110/115V 60 Hz	23678

Ref. 12 - Hot Gas Valve Coil

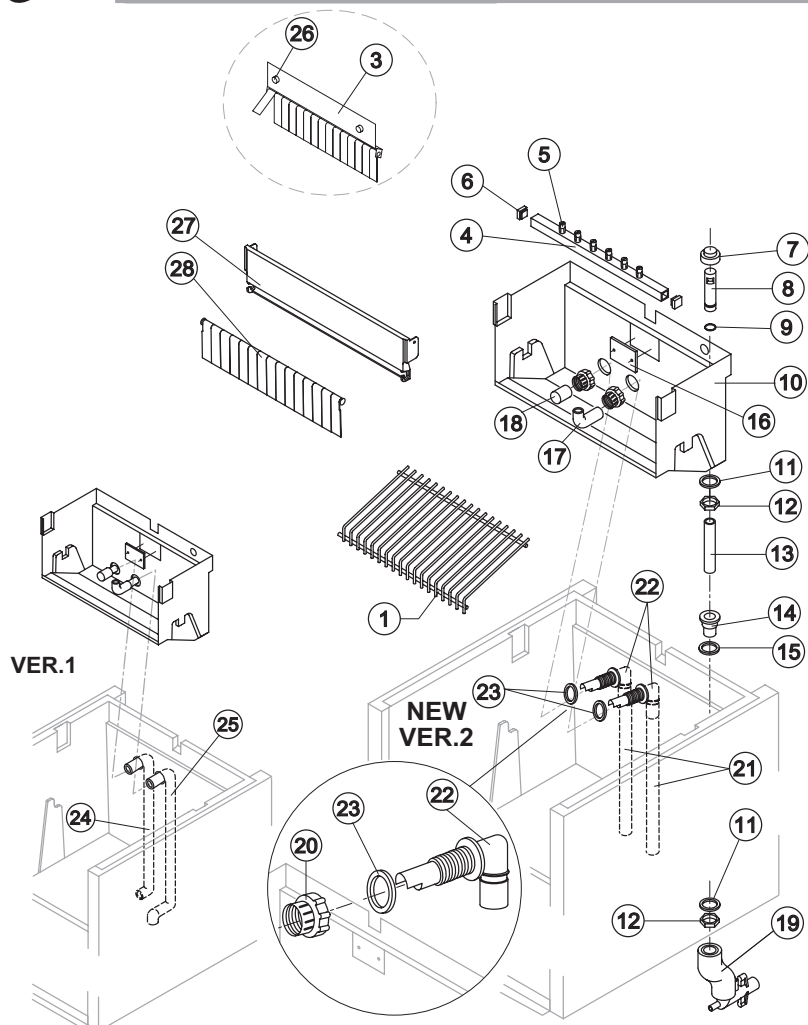
Tension	Code
220/240V 50 Hz	23091
220/230V 60 Hz	23091
110/115V 60 Hz	23256



CB 425

HYDRAULIC CIRCUIT

Rev. 6 - 03/08/2007



Ref. 1 - Ice Cube Slide

Kind of Cube	Code
18 g. (Standard)	D12008
33 g.	D12030
13 g.	D12038
42 g.	D12030

Ref. 4 - Sprayers Bar

Kind of Cube	Code
18 g. (Standard)	C20029
33 g.	C20155
13 g.	C20189
42 g.	C20155

Common Parts

Ref.	Spare Description	Code
1	Ice Cubes Slide	See Table
3	Panel with Flags	Till s/n. 380311
4	Sprayers Bar Assy	See Table
5	Sprayer	D20002
6	Sprayers Bar Plug	10012
7	Overflow Cap	10305
8	Overflow Pipe	10133
9	OR Gasket for Overflow Pipe	20233
10	Inner Basin	10253
11	Semirigid Polyethylene Gasket	13007
12	Bin Discharge Nut	10096
13	Overflow Pipe	Current Version
13	Overflow Pipe	Till s/n. 64085
14	Water Outlet Nipple	10472
15	Silicone Gasket	13006
16	Slide Keep Plate	10009
17	Sprayers Feeding Pipe	13005
18	Pump Suction Filter	20005
20	Fittings Locking Ring	Version 2
20	Fittings Locking Ring	10405
21	Pump Suction/Delivery Pipe	Version 2
21	Pump Suction/Delivery Pipe	13139
22	Fitting for the Pump Suction/Delivery Pipes	Version 2
22	Fitting for the Pump Suction/Delivery Pipes	10404
23	Gasket of the Pump Suction/Delivery Pipes	Version 2
23	Gasket of the Pump Suction/Delivery Pipes	13143
24	Pump Suction Pipe	Version 1
24	Pump Suction Pipe	13021
25	Pump Delivery Pipe	Version 1
25	Pump Delivery Pipe	13019
26	Fixing Screw	Till s/n. 380311
26	Fixing Screw	20009
27	Flags ABS Support	Current Version
27	Flags ABS Support	10526
28	Rod with Flags	Current Version
28	Rod with Flags	C10534

Parts for Air Cooled Version Only

Ref.	Spare Description	Code
19	Discharges Manifold	C10006

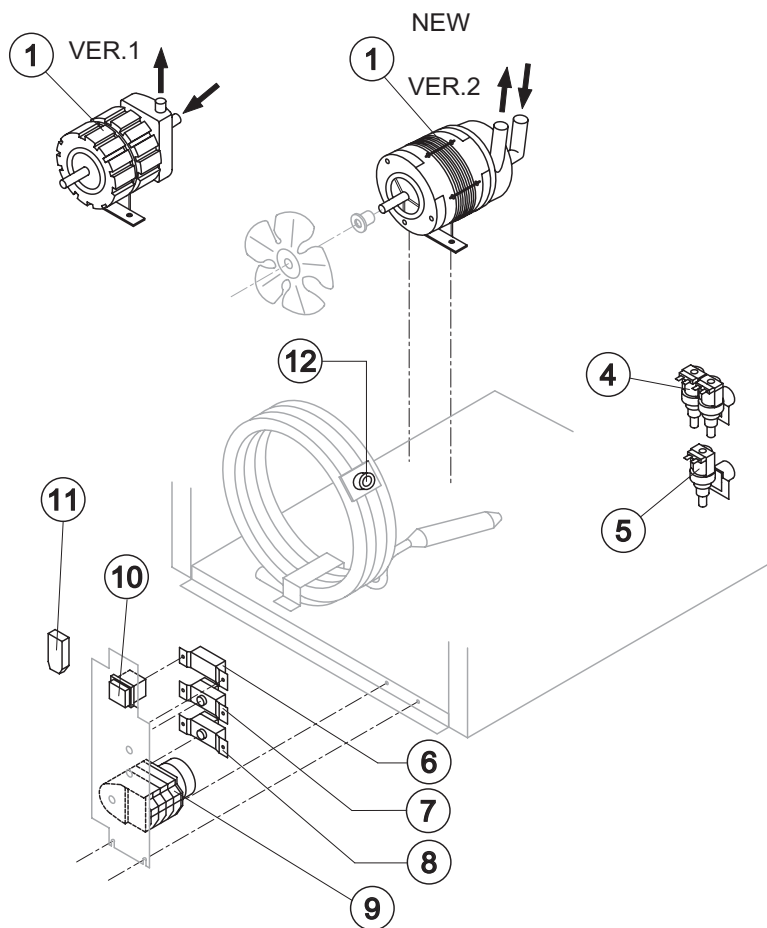
Parts for Water Cooled Version Only

Ref.	Spare Description	Code
19	Discharges Manifold	C26452



CB 425

ELECTRIC PARTS



Common Parts

Ref.	Spare Description	Code
1	Pump	See Table
7	Bin Thermostat	R23005
8	Evaporator Thermostat	R23591
9	Timer	See Table
10	Green Light Switch (On-Off)	23327

Parts for Air Cooled Version Only

Ref.	Spare Description	Code
5	1 Way- Water Inlet Valve	See Table

Parts for Water Cooled Version Only

Ref.	Spare Description	Code
4	2 Ways Water Inlet Valve	See Table
6	Condenser Pressure Switch	23175
11	Anti Radio Interference Filter	Only 220 V 50 Hz C23457
12	Safety Thermostat	C23114

Ref. 1 - Pump

Tension	Version 1	Version 2
220/240V 50 Hz	23002	23377
220/230V 60 Hz	23002	23377
110/115V 60 Hz	23264	23663

Ref. 4 - 2 Ways- Water Inlet Valve

Tension	Code
220/240V 50 Hz	23502
220/230V 60 Hz	23502
110/115V 60 Hz	23646

Ref. 5 - 1 Way- Water Inlet Valve

Tension	Code
220/240V 50 Hz	23001
220/230V 60 Hz	23001
110/115V 60 Hz	23260

Ref. 9 - Timer

Tension	18 g Cube	33 g Cube	13 g Cube	42 g Cube
220/240V 50 Hz	23222	23248	23247	23780
220/230V 60 Hz	23248	23780	23247	23780
110/115V 60 Hz	23259	23786	23258	23786

Rev. 6 - 03/08/2007