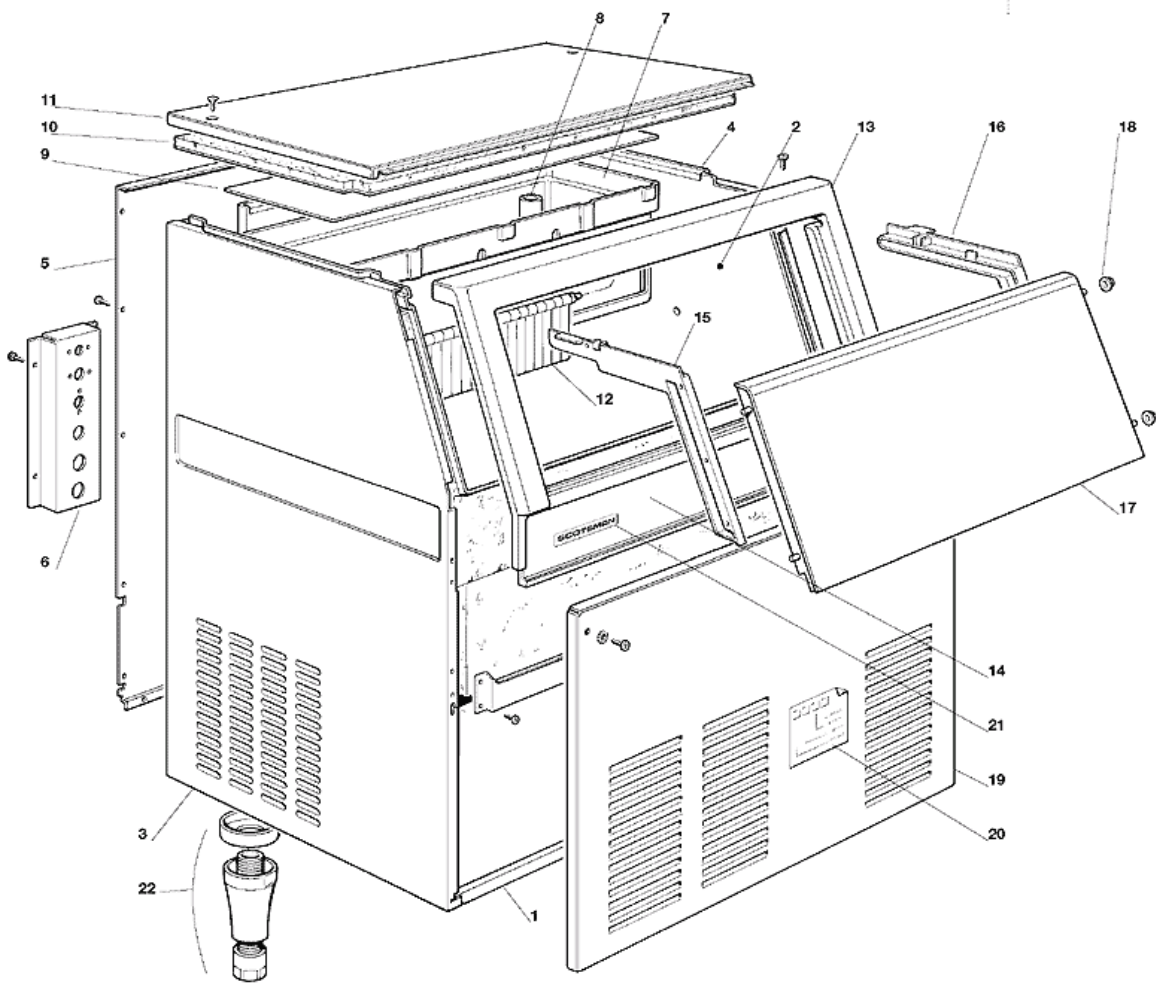


- 1 - UNIT PANELS
- 2 - REFRIGERANT SYSTEM AIR COOLED
- 3 - REFRIGERANT SYSTEM WATER COOLED
- 4 - WATER SYSTEM
- 5 - P.C. BOARD AND SENSOR ASSY (up to S.N. 32639)
- 6 - P.C. BOARD AND SENSOR ASSY (from S.N. 32640)

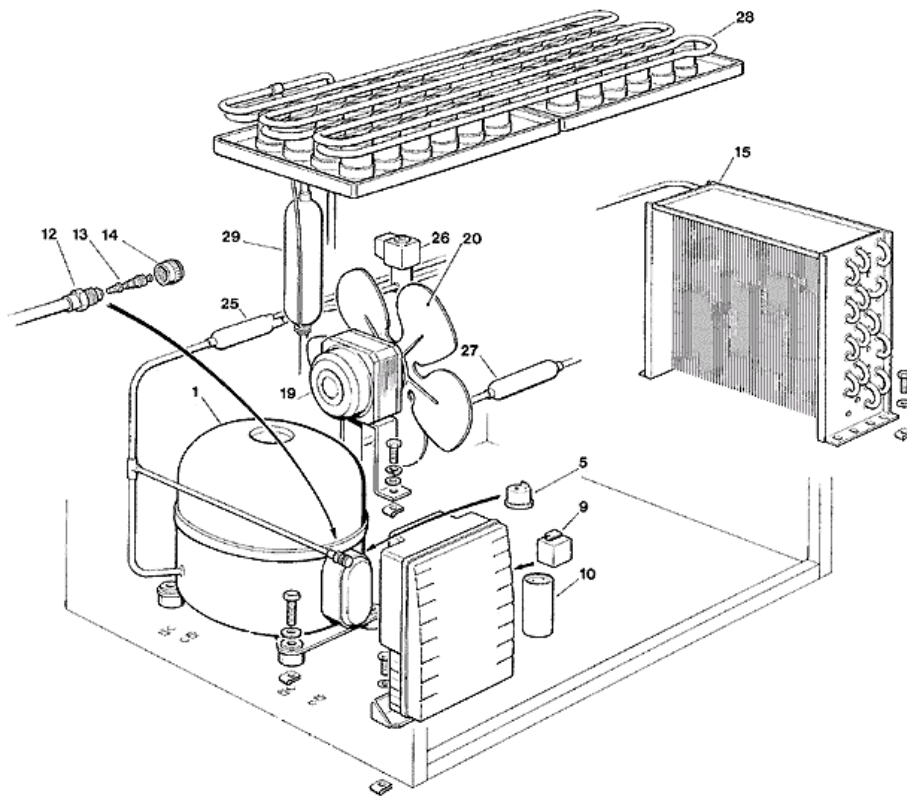
### 1 - UNIT PANELS





## 1 - UNIT PANELS

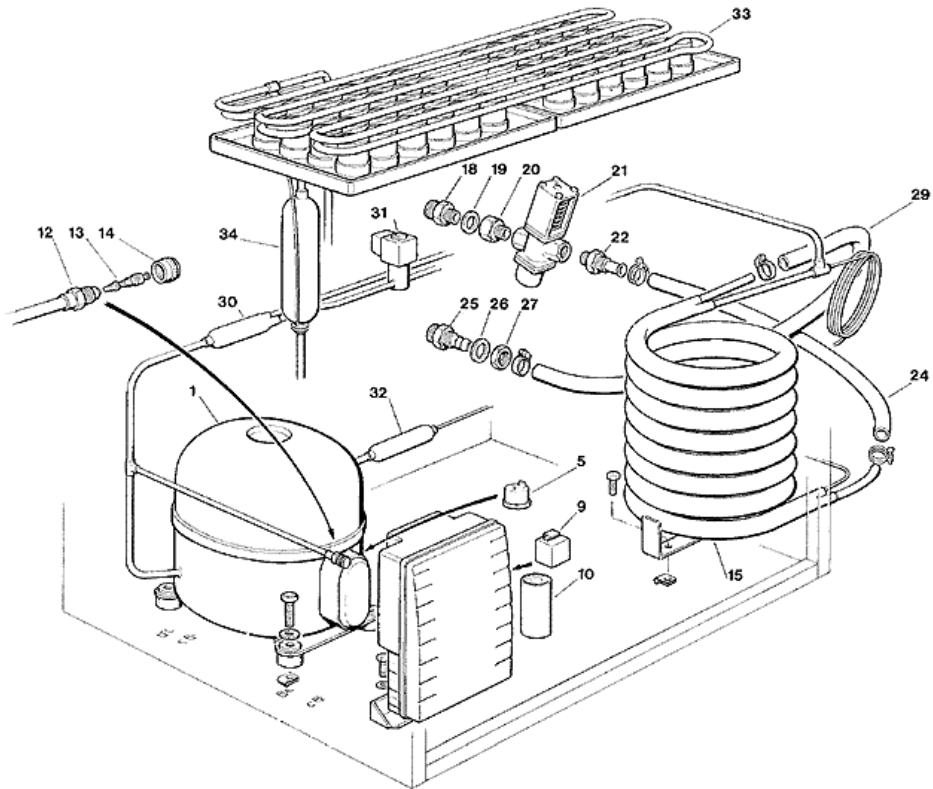
POSITION	CODE	DESCRIPTION
0001	781413 00	UNIT BASE
0002	782095 00R	INSULATED STORAGE BIN
0003	721658 02	LEFT SIDE PANEL
0004	721658 03	RIGHT SIDE PANEL
0005	702218 00	REAR PANEL
0006	702180 00	BRACKET
0007	660661 00R	EVAPORATOR HOUSING
0008	660698 02	OVERFLOW TUBE
0009	741075 01	COVER, EVAPORATOR
0010	794245 01R	INSULATION
0011	701798 02	TOP PANEL
0012	784457 03R	CURTAIN ASSY - ACL/M
0012	784457 05R	CURTAIN ASSY - ACS
0013	782078 12	BIN DOOR FRAME ASSY
0014	721669 05	S.S. FRONT PLATE
0015	660523 01	LEFT SIDE GUIDE
0016	660523 00	RIGHT SIDE GUIDE
0017	792009 09R	BIN DOOR ASSY
0018	660286 00	BUSHING
0019	721659 01	FRONT PANEL
0020	650624 08	LABEL
0021	660614 00	SCOTSMAN LOGO
0022	650670 00	LEG KIT



## 2 - REFRIGERANT SYSTEM AIR COOLED

POSITION	CODE	DESCRIPTION
0001	670099 02	COMPRESSOR - 230/50/1
0001	670099 07	COMPRESSOR - 230/60/1
0001	670099 11	COMPRESSOR - 115/60/1
0005	620058 39	PROTECTOR 230/50
0005	620058 78	PROTECTOR MST 000ALKD
0005	620058 83	PROTECTOR 115/60
0009	620057 44	RELAY - 230/50
0009	620057 48	RELAY - 230/60
0009	620057 52	RELAY - 115/60
0010	620167 01	START CAPACITOR 64-77 MFD/330V
0010	620167 41	START CAPACITOR 115/60
0012	650109 00	VALVE BODY
0013	670012 00	VALVE CORE
0014	650106 00	CAP
0015	620405 00	CONDENSER
0019	620419 02	FAN MOTOR - 230/50-60
0019	620419 03	FAN MOTOR - 115/60
0020	620419 33	BLADE
0025	630020 01	STRAINER
0026	620306 17	COIL - 115/60
0026	620306 27	HOT GAS VALVE BODY
0026	620306 48	COIL - 230/50-60
0027	630003 06	FILTER
0028	784263 09	EVAPORATOR PLATE - LARGE
0028	784263 10	EVAPORATOR ASSY
0028	784283 02	EVAPORATOR ASSY
0029	784444 06	SUCTION LINE/ACCUMULATOR
0029	784444 11	SUCTION LINE

### 3 - REFRIGERANT SYSTEM WATER COOLED

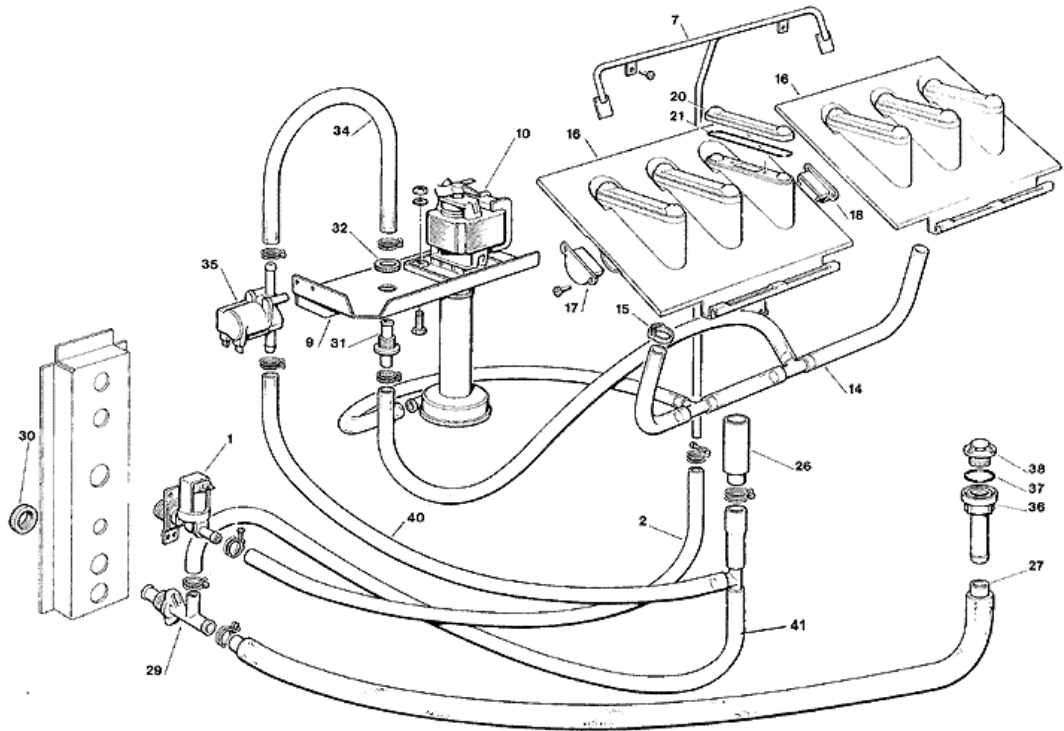




### 3 - REFRIGERANT SYSTEM WATER COOLED

POSITION	CODE	DESCRIPTION
0001	670099 02	COMPRESSOR - 230/50/1
0001	670099 07	COMPRESSOR - 230/60/1
0001	670099 11	COMPRESSOR - 115/60/1
0005	620058 39	PROTECTOR 230/50
0005	620058 78	PROTECTOR MST 000ALKD
0005	620058 83	PROTECTOR 115/60
0009	620057 44	RELAY - 230/50
0009	620057 48	RELAY - 230/60
0009	620057 52	RELAY - 115/60
0010	620167 01	START CAPACITOR 64-77 MFD/330V
0010	620167 41	START CAPACITOR 115/60
0012	650109 00	VALVE BODY
0013	670012 00	VALVE CORE
0014	650106 00	CAP
0015	620389 01	CONDENSER
0018	400053 00	NUT
0019	400052 00	WASHER
0020	733204 00	WATER INLET FITTING
0021	620111 00	WATER REGUL. VALVE
0022	733094 03	WATER FITTING
0024	281900 01	TUBE 16X10
0025	660291 00	TEE TUBE (D13)
0026	400031 00	WASHER
0027	400030 01	NUT
0029	281900 01	TUBE 16X10
0030	630020 01	STRAINER
0031	620306 17	COIL - 115/60
0031	620306 27	HOT GAS VALVE BODY
0031	620306 48	COIL - 230/50-60
0032	630003 06	FILTER
0033	784263 09	EVAPORATOR PLATE - LARGE
0033	784263 10	EVAPORATOR ASSY
0033	784283 02	EVAPORATOR ASSY
0034	784444 06	SUCTION LINE/ACCUMULATOR
0034	784444 11	SUCTION LINE

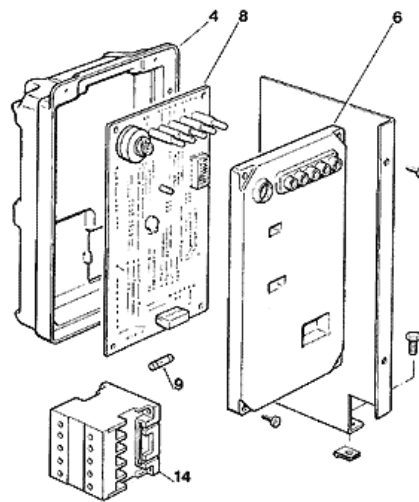
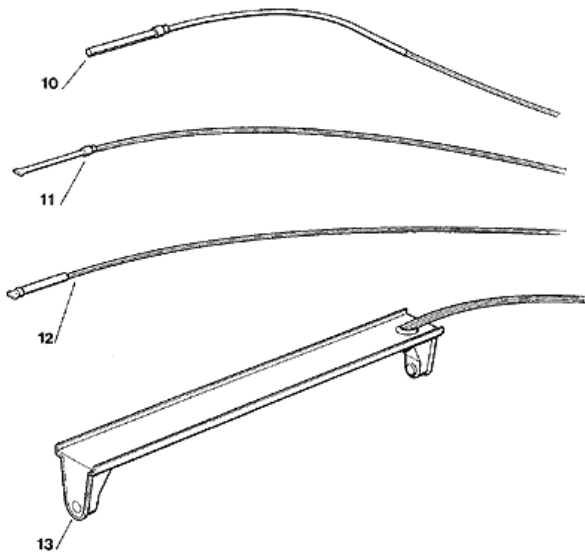
### 4 - WATER SYSTEM





#### 4 - WATER SYSTEM

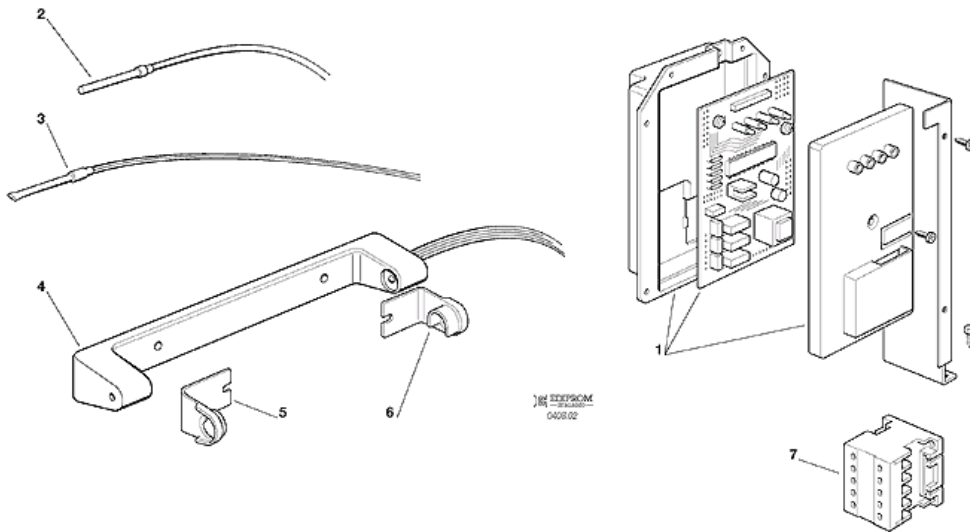
POSITION	CODE	DESCRIPTION
0001	650105 52	WATER IN. VALVE - 230/50-60 - AIR COOLED
0001	650105 55	WATER INLET VALVE - 115/60 - AIR COOLED
0002	281900 01	TUBE 16X10
0007	660537 00	WATER DISTRIBUTION TUBE
0009	724357 00	PUMP MOTOR BRACKET
0009	724390 00	PUMP MOTOR BRACKET - SMALL CUBES
0010	620430 03	WATER PUMP 230/50
0010	620430 04	WATER PUMP 115/60
0010	620430 05	WATER PUMP 230/60
0010	620430 06	WATER PUMP - 230/50
0014	610190 00	TUBE
0014	610205 00	TUBE - SMALL CUBE - LEFT SPRAY PLATEN
0014	610205 01	TUBE - SMALL CUBE - RIGHT SPRAY PLATEN
0015	650499 01	CLAMP
0016	793129 01	SPRAY SYSTEM ASSY
0017	660520 03	LEFT PLUG
0018	660520 02	RIGHT PLUG
0020	660519 01	SPRAY COVER
0021	640041 20	O RING
0026	660698 02	OVERFLOW TUBE
0027	610148 10	TUBE
0029	660224 00	TEE TUBE
0030	660535 00	PLASTIC NUT
0031	660534 00	FITTING
0032	660535 00	PLASTIC NUT
0034	610173 00	DRAIN TUBE
0035	620460 00	WATER DRAIN VALVE
0036	660219 01	BIN DRAIN
0037	640134 00	O RING 4093
0038	660211 01	DRAIN FILTER
0040	610176 01	TUBE
0041	610195 00	TUBE





**5 - P.C. BOARD AND SENSOR ASSY (up to S.N. 32639)**

POSITION	CODE	DESCRIPTION
0008	620403 18	P.C. BOARD
0008	620403 19	P.C. BOARD
0009	630015 09	FUSE 100MA 250V
0009	630015 10	FUSE 16A 250V
0010	620404 10	EVAPORATOR SENSOR
0011	620404 11	CONDENSER SENSOR
0012	620404 02	AMBIENT SENSOR
0013	650674 00	ICE LEVEL CONTROL
0014	630119 02	CONTACTOR - 230/50-60
0014	630124 07	CONTACTOR - 115/60





**6 - P.C. BOARD AND SENSOR ASSY (from S.N. 32640)**

POSITION	CODE	DESCRIPTION
0001	620462 00	PC BOARD ASSY - 230/50-60
0001	620462 01	P. C. BOARD ASSY - 115/60/1
0002	620404 10	EVAPORATOR SENSOR
0003	620404 11	CONDENSER SENSOR
0004	650674 00	ICE LEVEL CONTROL
0005	660720 00	PLASTIC COVER
0006	660720 01	PLASTIC COVER
0007	630119 02	CONTACTOR - 230/50-60
0007	630124 07	CONTACTOR - 115/60