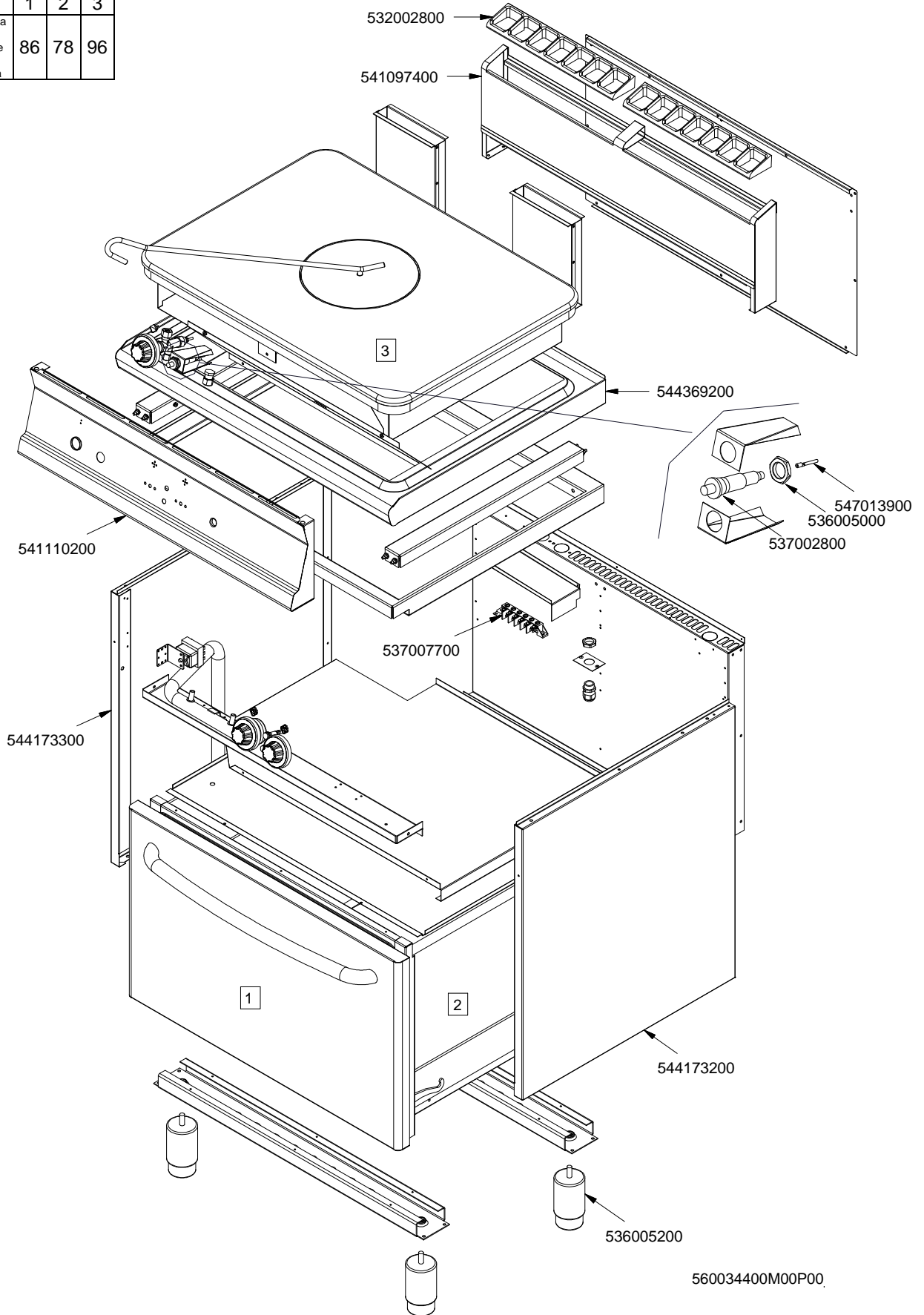


SUPERLOTUS 70₂0601

CUCINE / RANGES / HERDE / CUISINIÈRES
TPF...

	1	2	3
Vedi Pagina See Page Siehe Seite Voir Page Ver Pàgina	86	78	96

TPF-78GE



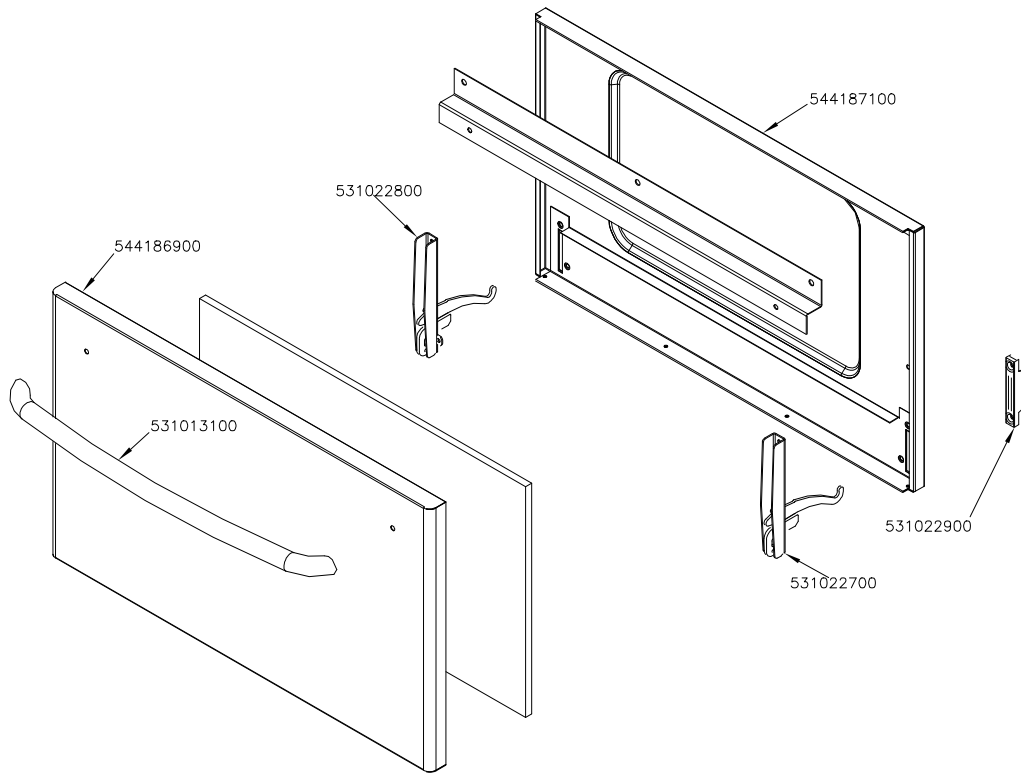
560034400M00P00

SUPERLOTUS 70≤0601

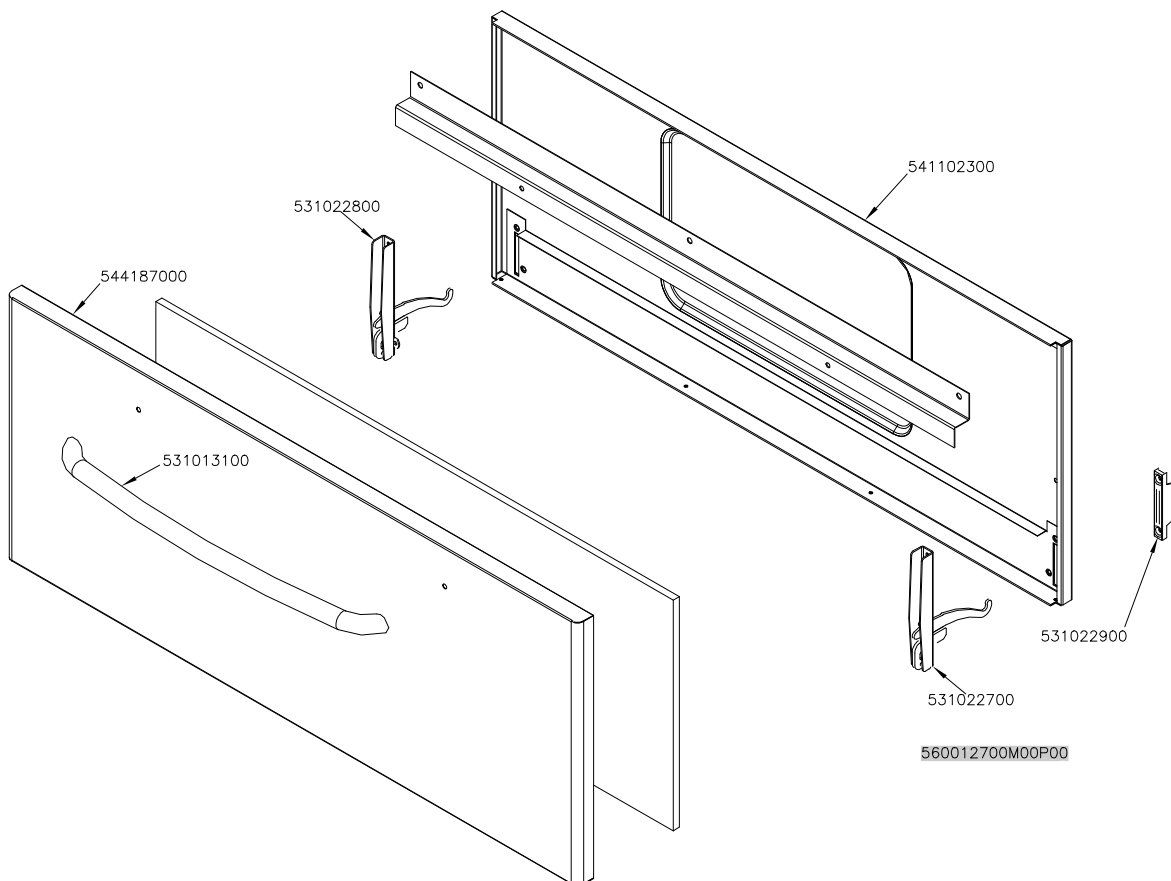
CUCINE / RANGES / HERDE / CUISINIÈRES
FORNO / OVEN / BACKOFEN / FOUR

PORTE / DOORS / TÜREN / PORTES

GN 2/1



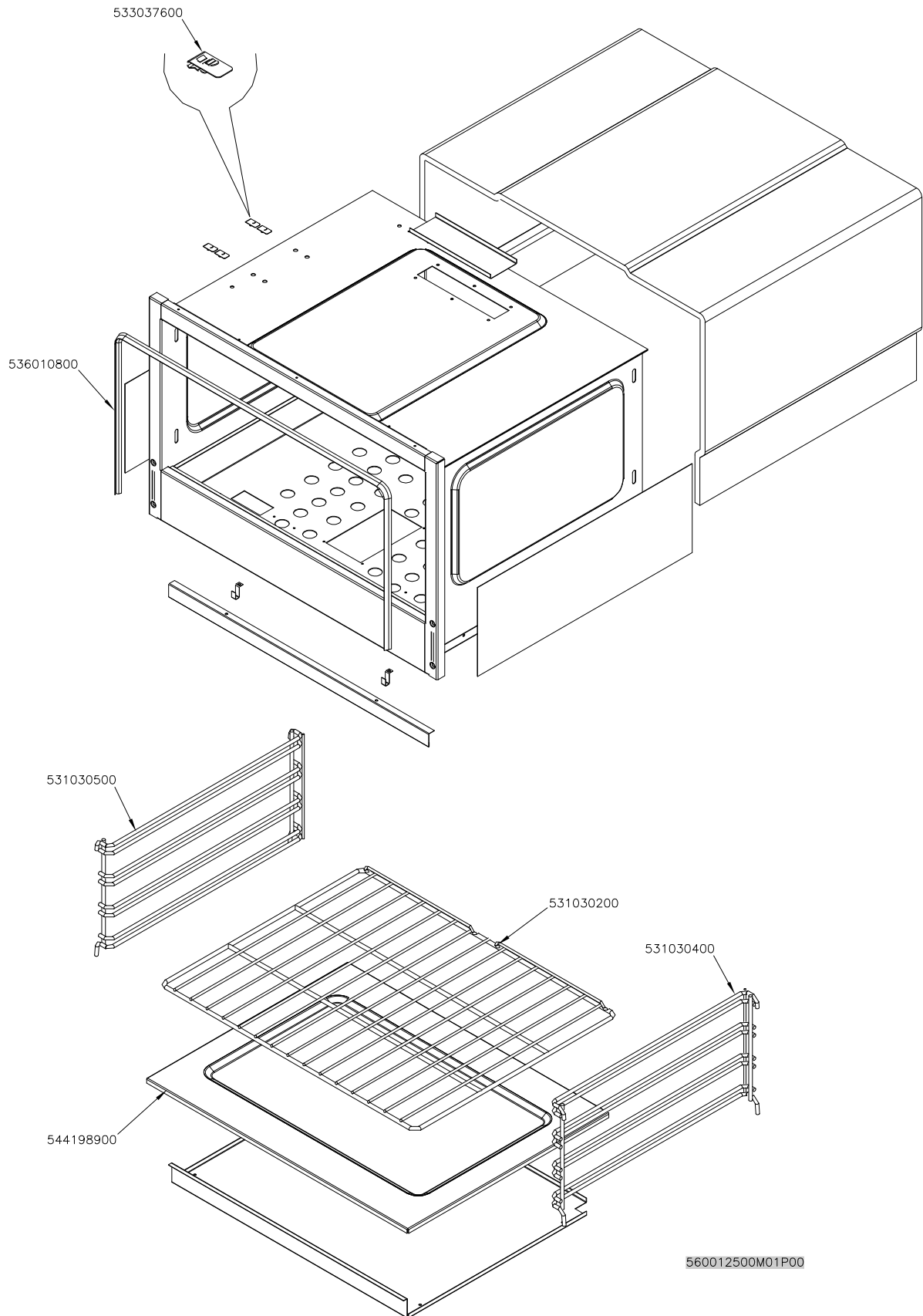
GN 3/1



SUPERLOTUS 70₂0601

CUCINE / RANGES / HERDE / CUISINIÈRES
FORNO / OVEN / BACKOFEN / FOUR

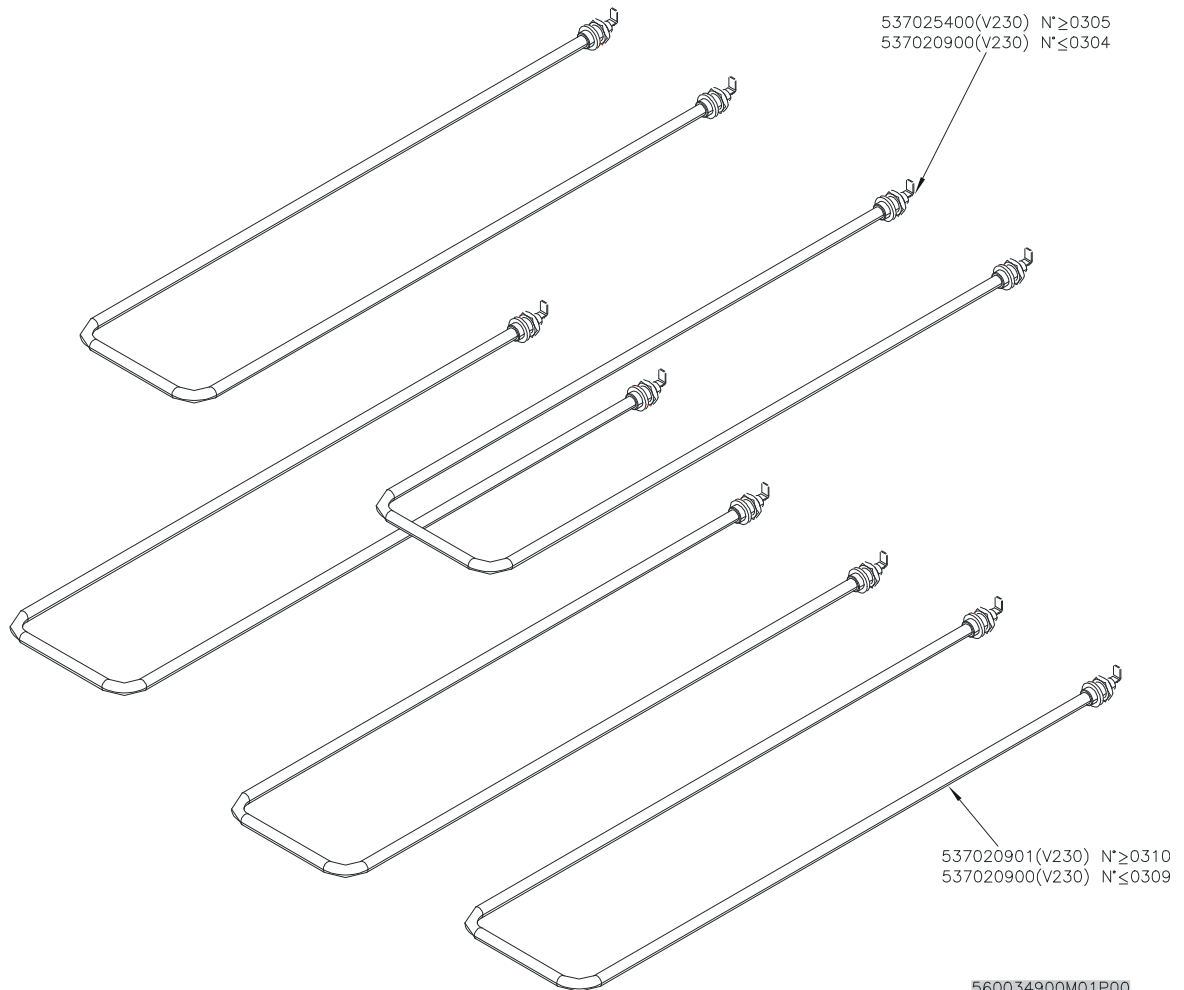
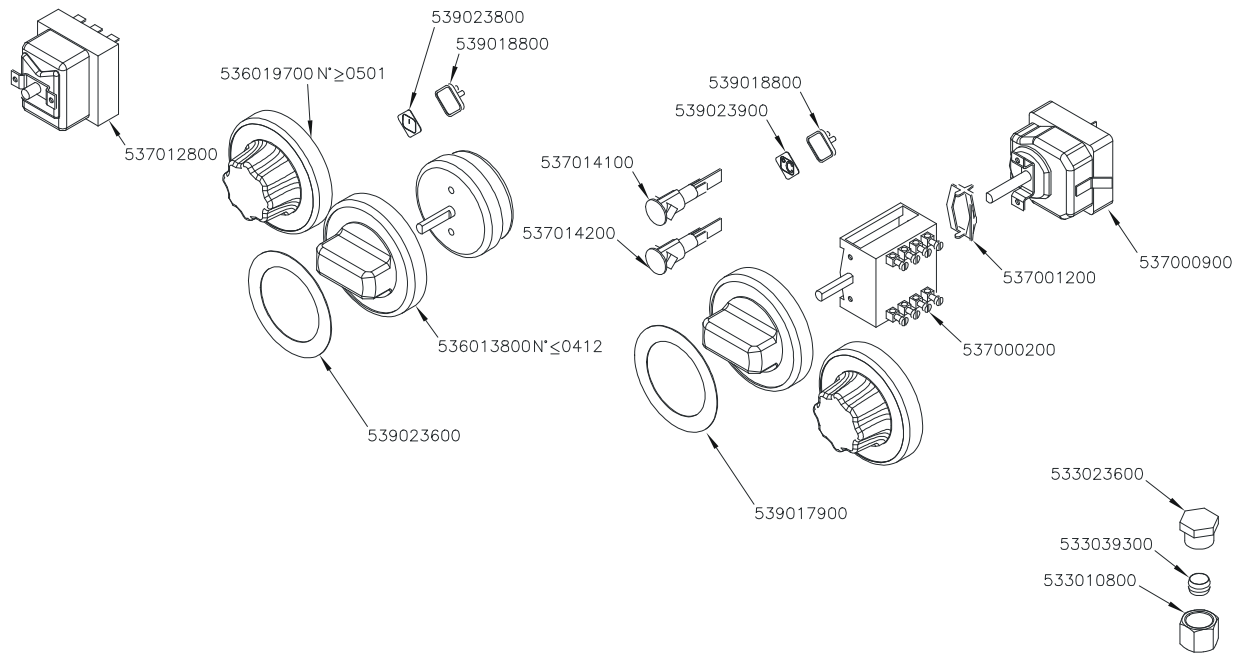
ELETTRICO / ELECTRICAL / ELEKTRO / ELECTRIQUE / GN 2/1



SUPERLOTUS 70≤0601

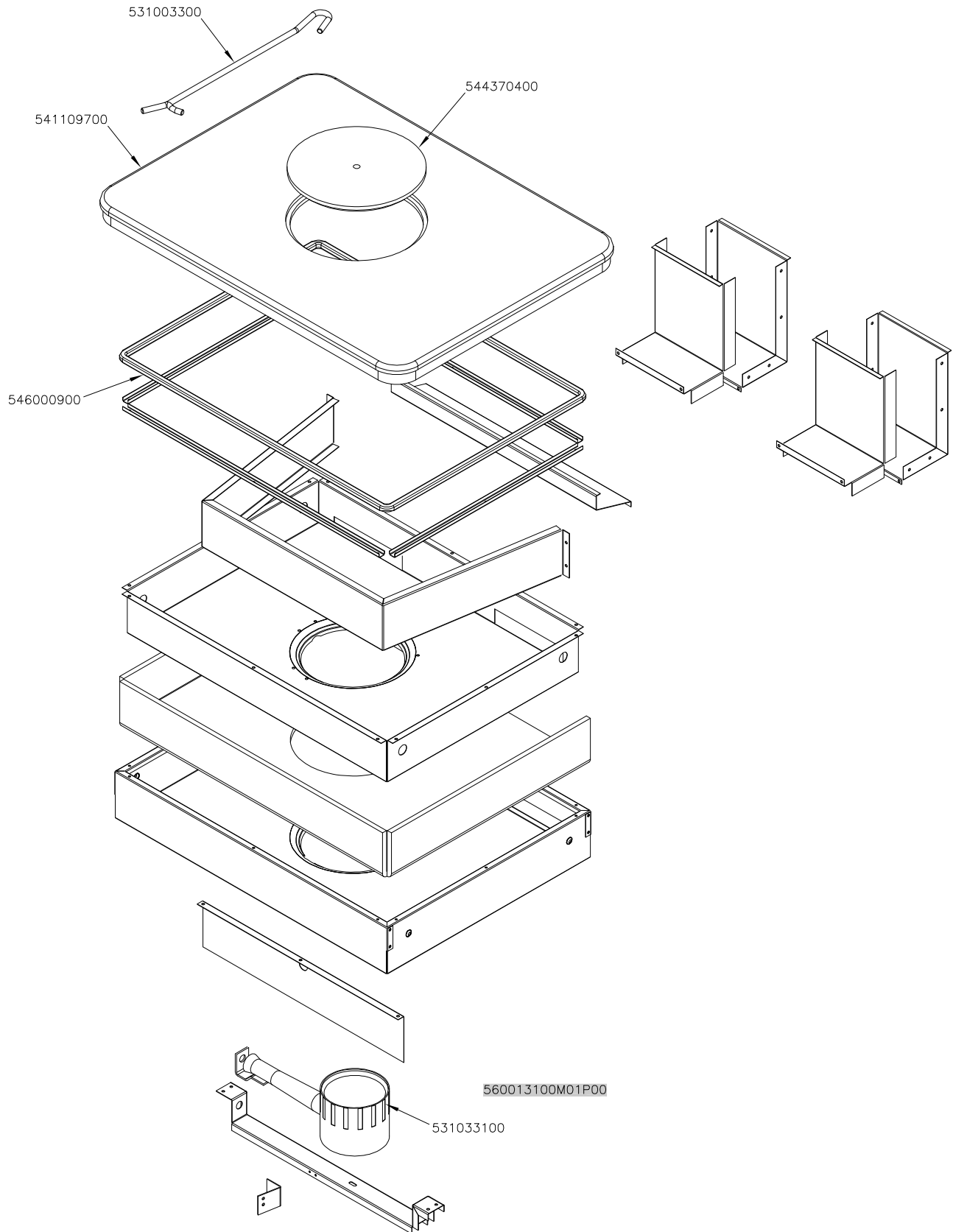
CUCINE / RANGES / HERDE / CUISINIÈRES
FORNO / OVEN / BACKOFEN / FOUR

ELETTRICO / ELECTRICAL / ELEKTRO / ELECTRIQUE / GN 2/1



560034900M01P00

TP

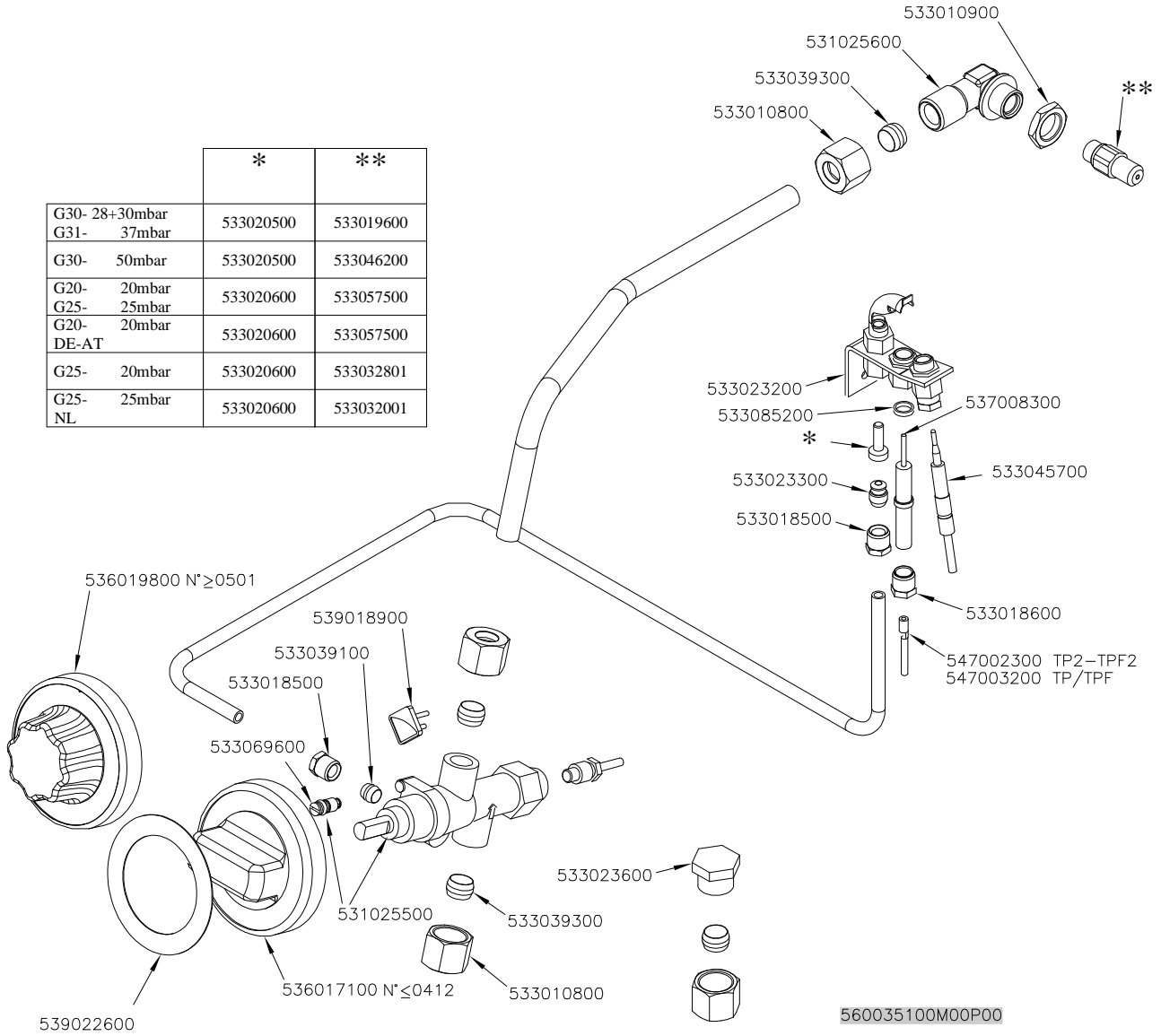


SUPERLOTUS 70≤0601

COMPONENTI COMUNI / STANDARDS PARTS / UEBLICHE TEILE / COMPOSANTS COMMUNS

TP

	*	**
G30- 28+30mbar G31- 37mbar	533020500	533019600
G30- 50mbar	533020500	533046200
G20- 20mbar G25- 25mbar	533020600	533057500
G20- 20mbar DE-AT	533020600	533057500
G25- 20mbar	533020600	533032801
G25- 25mbar NL	533020600	533032001



560035100M00P00

Page	Pos	Code	Description
001		532002800	GRID FOR PIPE L=370 S.70
001		541097400	SPACER 78G - 2 DRAINS
001		544369200	UPPER PLATE TP-78G
001		547013900	HIGH-VOLTAGE CABLE TUB.§2 L=1400
001		536005000	NUT M18 FOR PIEZOELECTRIC IGNITION
001		537002800	PIEZOELECTRIC IGNITION M18
001		541110200	CONTROL PANEL TPF-78GE
001		537007700	TERMINAL BLOCK THREEPHASE 40A
001		544173300	LEFT SIDE PANEL RANGE S.70
001		544173200	RIGHT SIDE PANEL RANGE S.70
001		536005200	INOX LEG 2" 120-180 M10
002		544187100	OVEN INNER DOOR GN 2/1 S.70
002		531022800	LEFT OVEN DOOR HINGE S.70
002		531022900	HINGE DOOR WHEEL HOLDER S.70
002		531022700	RIGHT OVEN DOOR HINGE 70LINE
002		544186900	OVEN DOOR GN 2/1 S.70
002		531013100	OVEN DOOR HANDLE OF 70/90-LINE
002		541102300	GAS OVEN INNER DOOR GN 3/1 S.70
002		544187000	OVEN DOOR GN 3/1 S.70
003		533037600	LOCK SPRING FOR BULB
003		536010800	OVEN GASKET GN 2/1 (1261)
003		531030500	LHD SUPPORT GRID FOR OVEN OF 70LINE
003		531030200	OVEN GRID GN 2/1 FOR 70 LINE
003		531030400	RHD SUPPORT GRID FOR OVEN OF 70LINE
003		544198900	70 ELECTRICAL OVEN BOTTOM GN2/1
004		537012800	SAFETY THERMOSTAT 420°C THREEPHASE
004		536019700	BLACK KNOB §70 PIN §6*5
004		539023800	SIGN PLATE FOR OVEN TIMER
004		539018800	INDEX FOR OVEN KNOB
004		539023900	SIGN PLATE FOR OVEN TEMPERATURE
004		537014100	WHITE WARNING LIGHT 250V
004		537014200	GREEN WARNING LIGHT 250V
004		536013800	KNOB D.70 BLACK 6*5 WITH SPRING
004		539023600	ADHESIVE GRADUATED DISC FOR KNOB
004		537000900	THERMOSTAT 50-320°C THREEPHASE
004		537001200	FIXING BRACKET FOR THERMOSTAT/COMM.
004		537000200	COMMUTATOR 1 POS. 3PHASE S.49 16A
004		539017900	ADHESIVE GRADUATED DISC FOR KNOB
004		533023600	TAP PLUG §10 M16*1, 5CH19
004		533039300	BICONE §10
004		533010800	TUBE NUT D.10 M16*1,5
004		537025400	OVEN UPPER HEAT.EL.W700 V230 70LINE
004		537020900	HEATING ELEMENT 1000W 230V OVEN S70
004		537020901	HEATING ELEMENT 1200W 230V OVEN S70
005		531003300	TP-PLATE LIFTING HOOK
005		544370400	RING PLATE TP S.70
005		541109700	PLATE TP-78G
005		546000900	SQUARE BRAID OF INSULATING MATERIAL
005		531033100	BURNER TP..-78G
006		533010900	NUT M14*1 H.4
006		531025600	ELBOW 90° NOZZLE-HOLDER §10 PIPE

Page	Pos	Code	Description
006		533039300	BICONE §10
006		533010800	TUBE NUT D.10 M16*1,5
006		533023200	"TARGET" PILOT + NIPPLE TC BRAC.90°
006		533085200	
006		533023300	BICONE §6 ("TARGET" PILOT)
006		533018500	FITTING FOR BICONE D.6 M10*1
006		537008300	ROUND PLUG §2,4- LONG ELECTRODE
006		533045700	THERMOCOUPLE M9*1 500
006		533018600	PLUG FITTING
006		547003200	HIGH-VOLTAGE CABLE TUBE.§2 L=500
006		536019800	BLACK KNOB §70 PIN §8*6,5
006		539018900	INDEX FOR KNOB
006		533039100	BICONE §6
006		533069600	BY PASS COCK §130 20S-21S
006		533023600	TAP PLUG §10 M16*1, 5CH19
006		531025500	GAS COCK 21S P.V.BY-PASS Ø130
006		536017100	BLACK KNOB §70 PIN §8*6,5
006		539022600	GRADUATED STICKER FOR KNOB
006		533020500	NOZZLE 0.140 §19
006		533019600	NOZZLE §165 CH12*30 MH-FT5 H-FT6
006		533046200	NOZZLE §150 CH12X30 L-BR TP
006		533020600	NOZZLE 0.140 §27
006		533057500	NOZZLE §260 CH12X30
006		533032801	NOZZLE §280 CH12*30 M-CPM
006		533032001	NOZZLE §270 CH12*30 MH-CPM