

cookmax+



**start!**

# Kühlung Drop-in Element gekühlte Wanne Umluft

Artikel-Nr.  
90651114 (9DRBL5FIN0A01 / SO-BLUE5)

---

## Explosionszeichnung / Ersatzteile

---

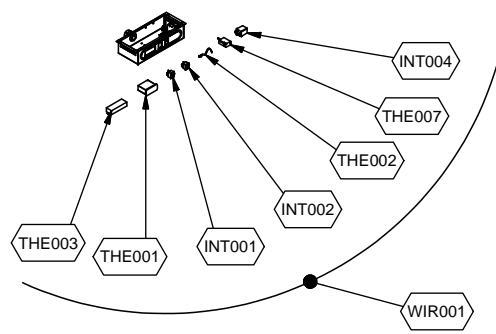
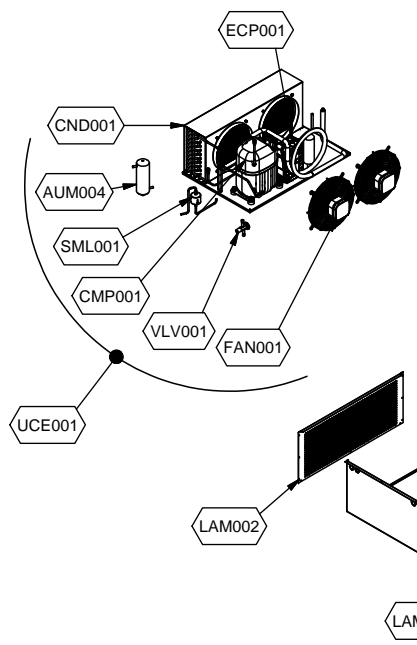
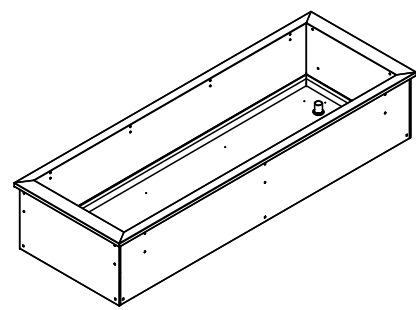
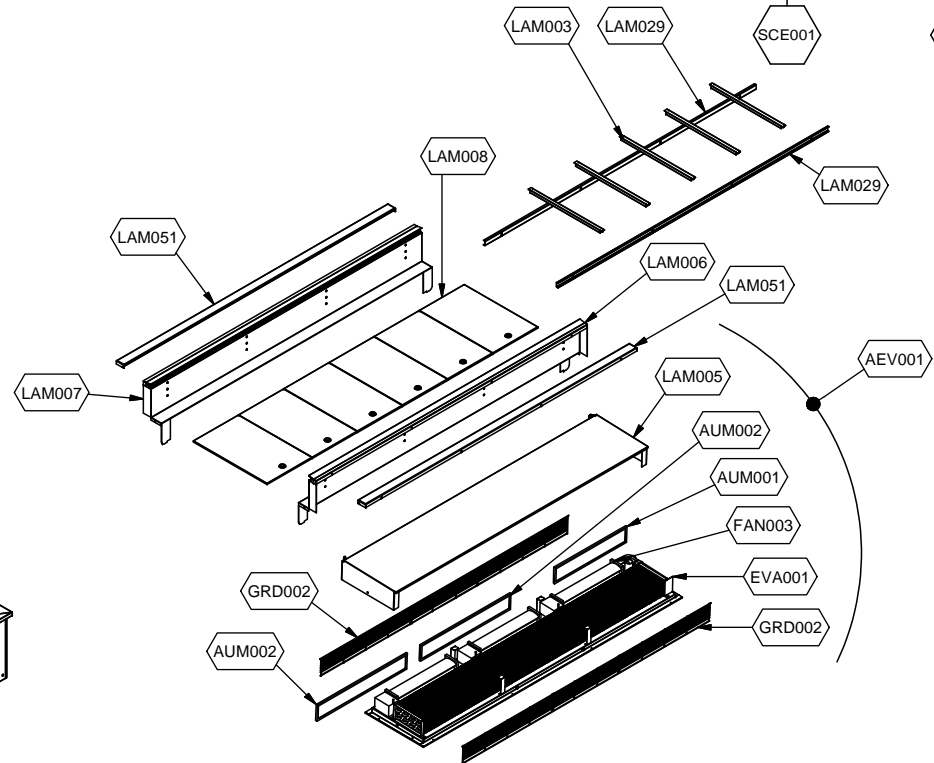
Bitte bei Ersatzteilbestellung immer Artikelnummer und Seriennummer mit angeben!

⚡	PARAM.	OPTIONAL
---	--------	----------

SCE001

TAR001

OPT



## Exploded View

Validity: 08/04/2016

9DRBL5FIN0A01	SOUL BLUE 5I VASCA REF.VENT SENZA SOV.
ESP088-02	SOUL BLUE INCORPORATO 5-6/1

Ref. Drawing	Code	Description
AEV001	73688956	ASS.EVAP.VETRINA RINF.DROP-IN 5/1
AUM001	74837152	FILTRO ARIA EVAP.VENT DROP-IN 3-4/1
AUM002	74837154	FILTRO ARIA EVAP.VENT DROP-IN 5-6/1
AUM004	74700708	SERBATOIO VERT.L.0,58(65/204VS00)
CMP001	74865505	COMPR.NJ9232GK MBP CSCR 230V/50HZ R404A
CND001	74837119	CONDENS.700X108XH286 11TX5R3/8"PA3.2MM
ECP001	74867022	PARTI ELETTR.COMPR. NJ9232GK
EVA001	74839124	EVAP.VENT.DROP-IN 5-6/1
FAN001	74848144	VENT.COND. 20W 230/50-60 L.CAVO=1MT
FAN003	74845031	VEN.EMMEVI TGA 60/3-360/40 055V 230V **W
GRD002	74847184	GRIGLIA EVAP.VENT.DROP-IN 5-6/1
INT001	74742008	INT.NERO ON-OFF 16A SH JS-608FA-O-B-6
INT002	74742017	INTERR.ARANC.LAMP 16A B418C1H1X0000 MOLV
INT004	75956088	RELE FINDER 30A 65-31 230V 50-60HZ
LAM001	72539285	LAM.SUPP.UCE ZINC5-6/1 VENTILATO DROP-IN
LAM002	72539289	GRIGLIA AEREAZ.ZINC.VENT.5-6/1 DROP-IN
LAM003	72556044	LAM.SUPP.VASCH.GRBF 151 530*20
LAM005	72539394	LAM.COP.EVAP.DROP-IN 5-6/1
LAM006	73689866	ASS.CONV.ARIA POST.VENT.RINF.5/1 DROP-IN
LAM007	73689876	ASS.CONV.ARIA ANT.VENT.RINF.5/1 DROP-IN
LAM008	74707262	VASSOIO VASCA VENTILATA DROP-IN
LAM029	72539486	LAM.SUPPORTO VASCHETTE 5/1 DROP-IN
LAM051	72538516	LAM.COPERT.DEF.VENT.5/1 RIBASS.DROP-IN
SCE001	SC850	SCHEMA ELETTRICO DROP-IN REFRIG.
SML001	73670196	ASS.FILTRO VENT.RINF.DROP-IN 4-5-6/1
TAR001	RIF.TAR.B05	PARAMETRI DROPIN & BUFFET BLUE & GRAY
THE001	74700881	CENTR.PYAO1C0522-BZ 230V H/C

Ref. Drawing	Code	Description
THE002	74700916	SONDA NTC IKE 3METRI -50/+105°
THE003	74700892	ALIMENTATORE LAMPADA LED MW LPHC18-350MA
THE007	74700954	REGOL.VELOCITA TECNEL TE7310.3/M
UCE001	74861594	UCE NJ9232GK MBP CSCR R404A DROP-IN 5/1
VLV001	74877105	VALVOLA TLE 2 R404A MOP 0 HONEYWEL
WIR001	73669908	ASS.Q.E REF.VENT.DROP-IN