

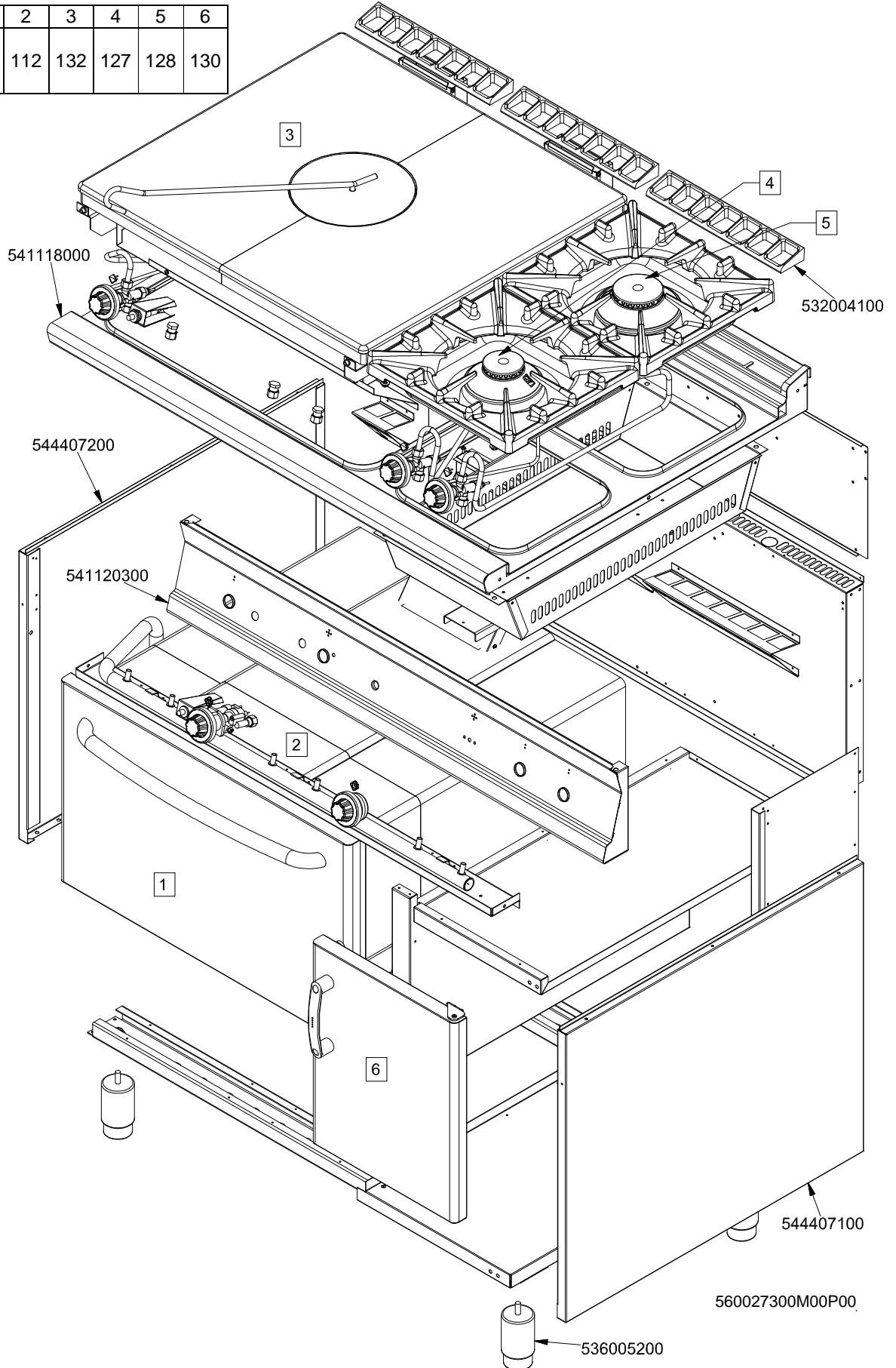
IPERLOTUS 90

CUCINE / RANGES / HERDE / CUISINIÈRES

TPF...

TPF2-912GV

	1	2	3	4	5	6
Vedi Pagina See Page Siehe Seite Voir Page Ver Página	116	112	132	127	128	130

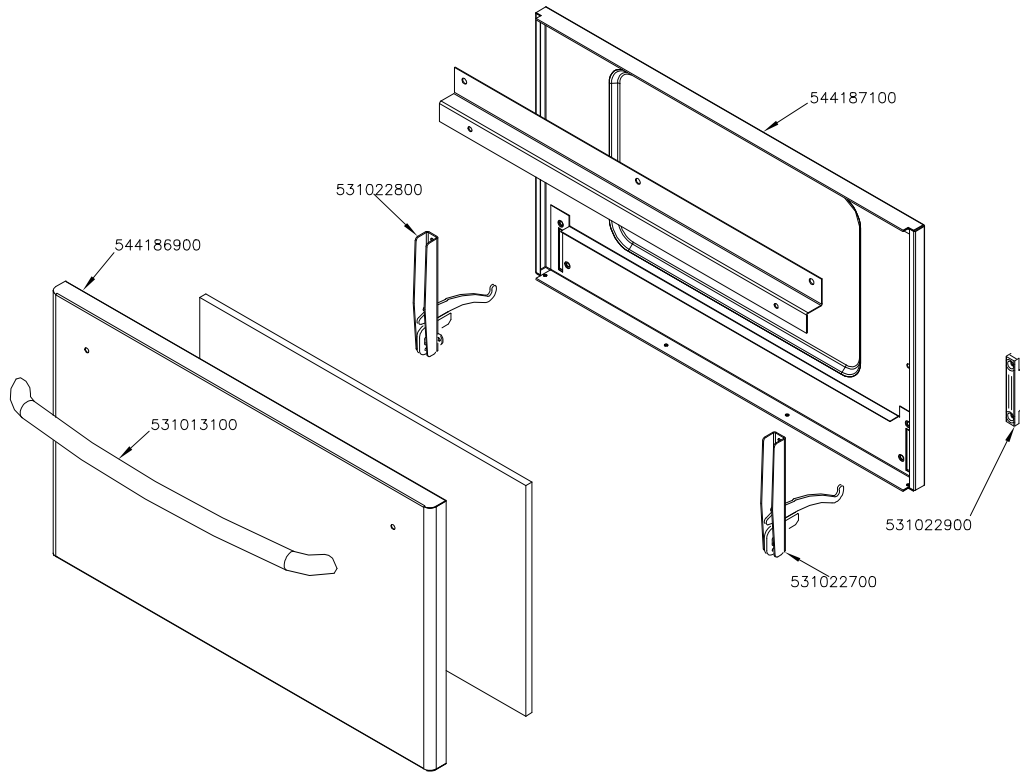


IPERLOTUS 90

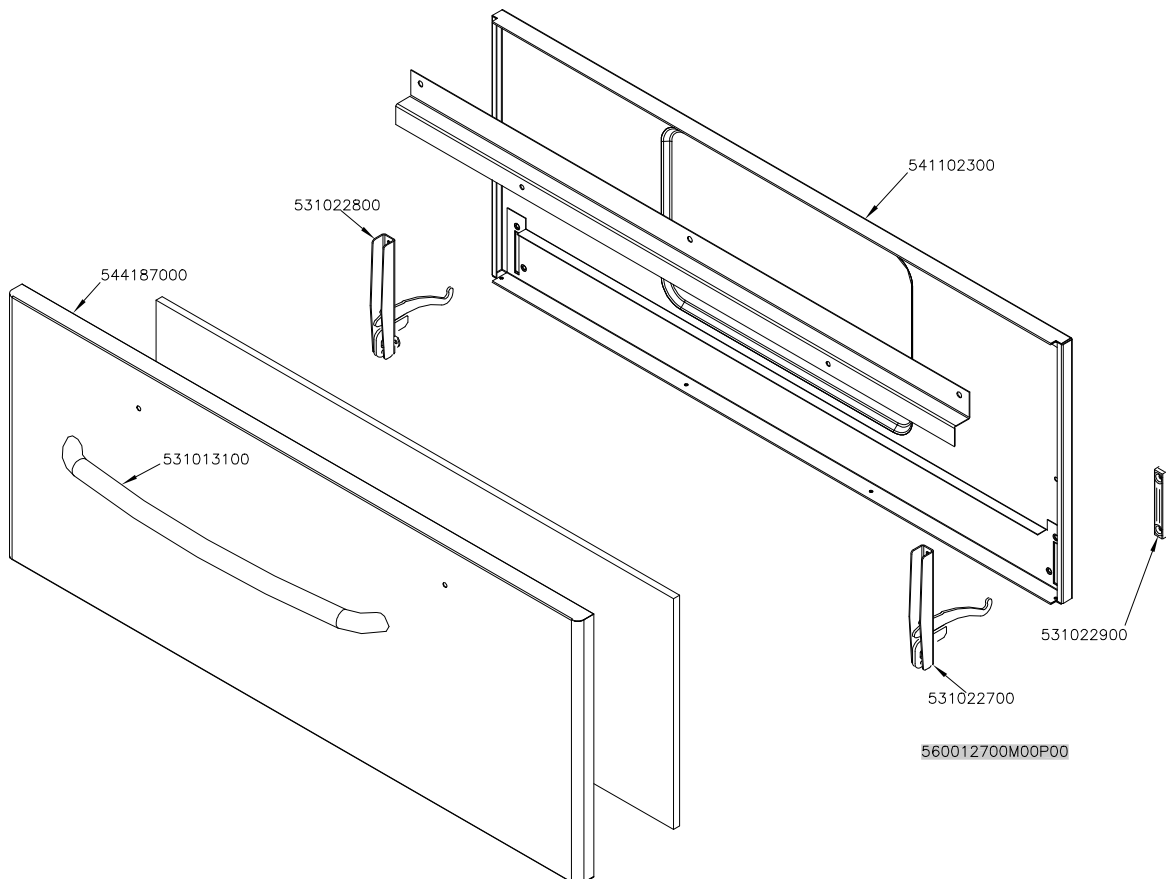
CUCINE / RANGES / HERDE / CUISINIÈRES
FORNO / OVEN / BACKOFEN / FOUR

PORTE / DOORS / TÜREN / PORTES

GN 2/1



GN 3/1

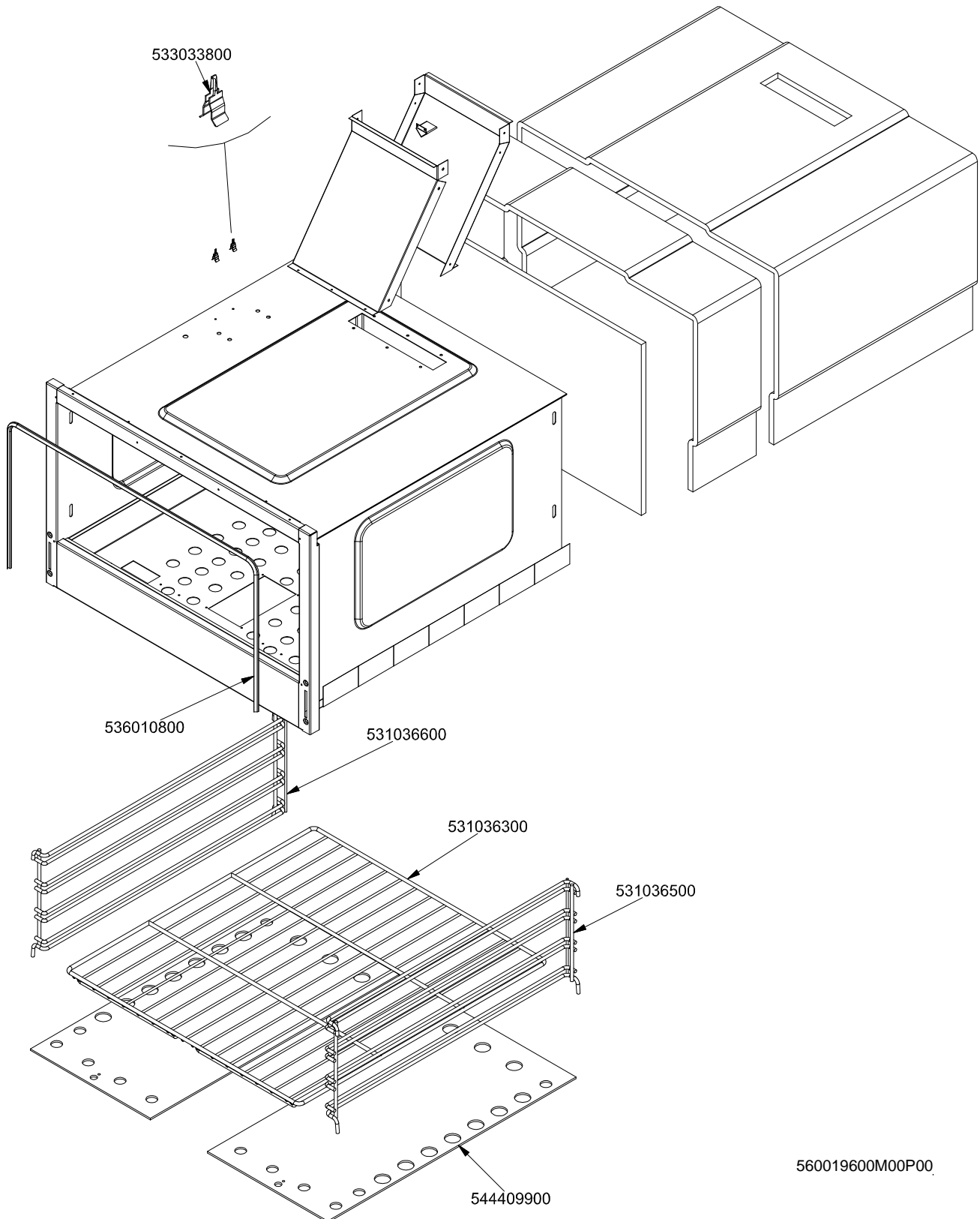


IPERLOTUS 90

CUCINE / RANGES / HERDE / CUISINIÈRES

FORNO / OVEN / BACKOFEN / FOUR

GAS / GAS / GAS / GAZ / GN 2/1

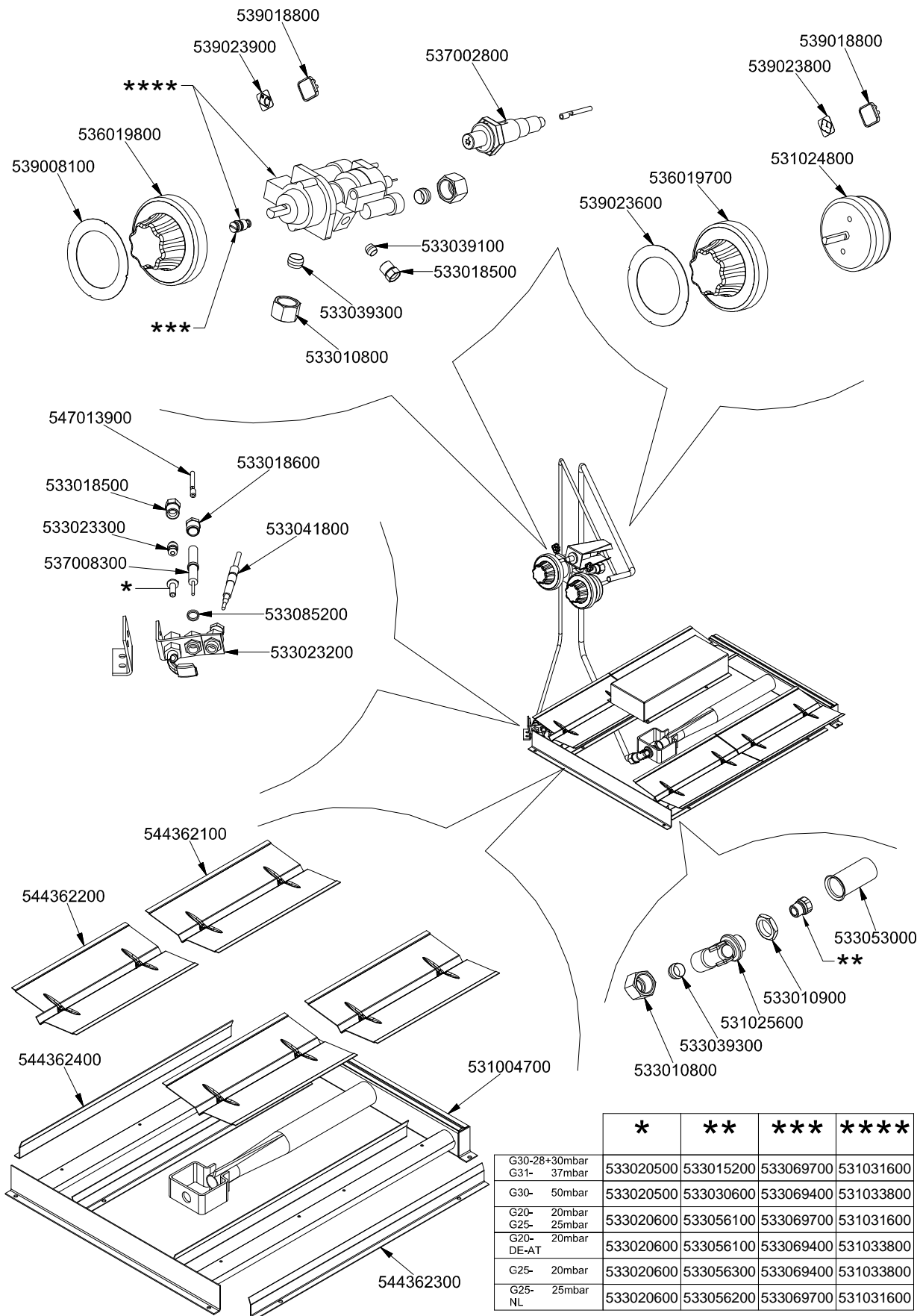


IPERLOTUS 90

CUCINE / RANGES / HERDE / CUISINIÈRES

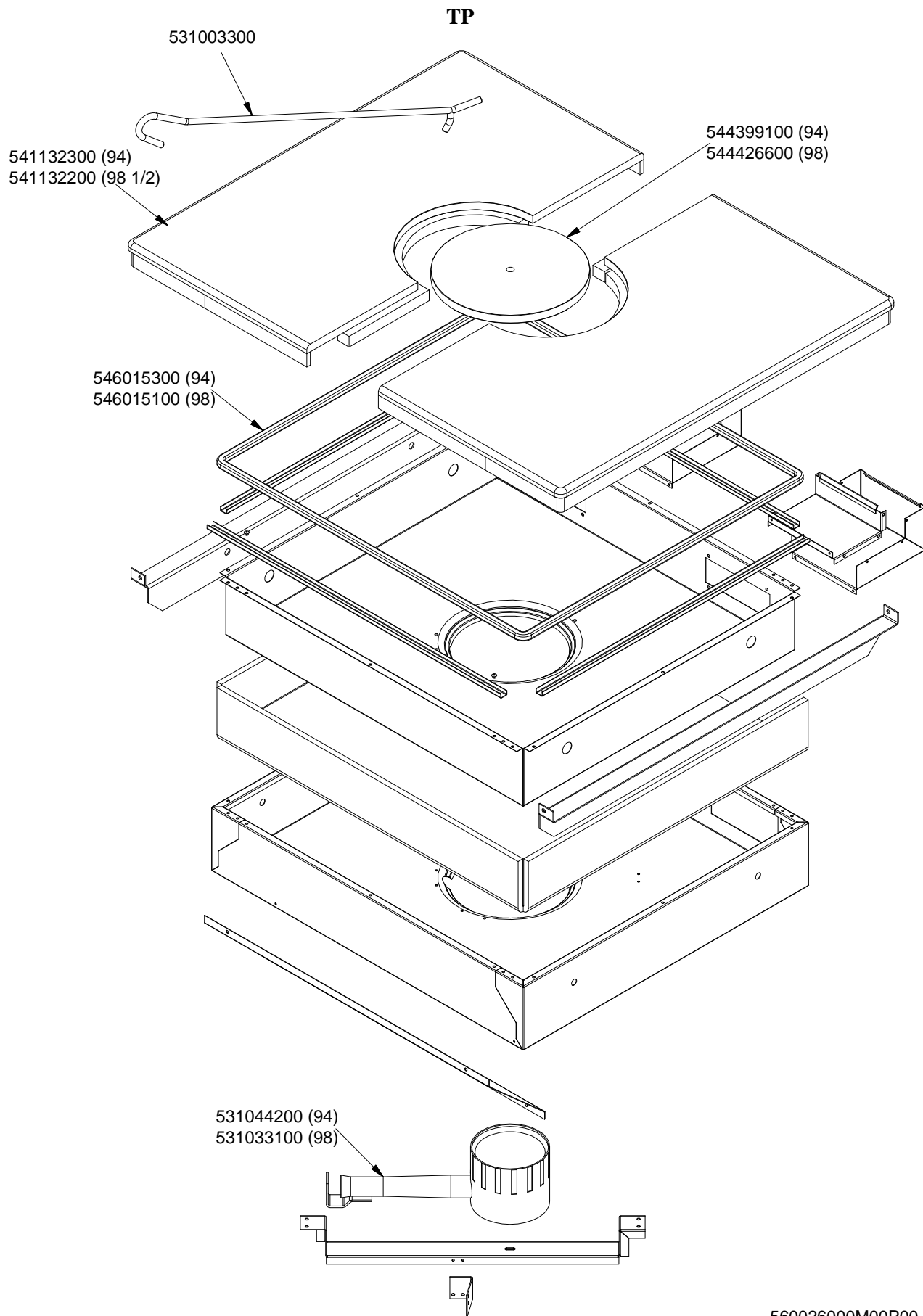
FORNO / OVEN / BACKOFEN / FOUR

GAS / GAS / GAS / GAZ / GN 2/1



	*	**	***	****
G30-28+30mbar	533020500	533015200	533069700	531031600
G31- 37mbar	533020500	533030600	533069400	531033800
G30- 50mbar	533020600	533056100	533069700	531031600
G20- 20mbar	533020600	533056100	533069400	531033800
G25- 25mbar	533020600	533056300	533069400	531033800
G20- DE-AT	533020600	533056200	533069700	531031600
G25- 20mbar	533020600	533056300	533069400	531033800
G25- NL	533020600	533056200	533069700	531031600

560019700M00P00



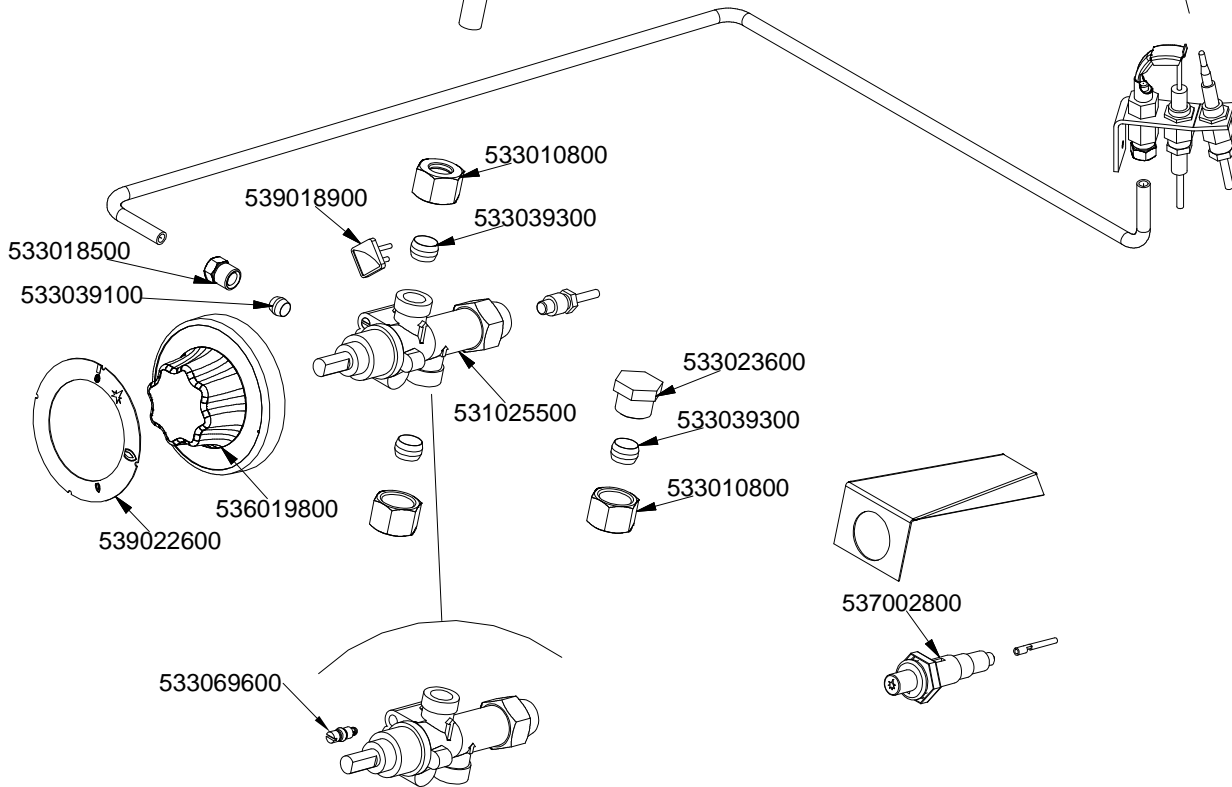
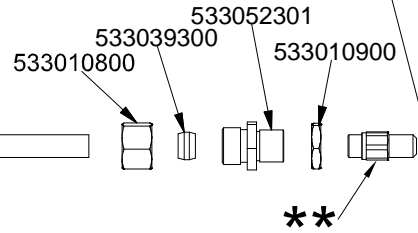
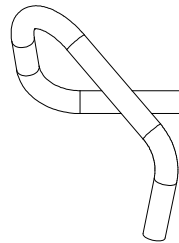
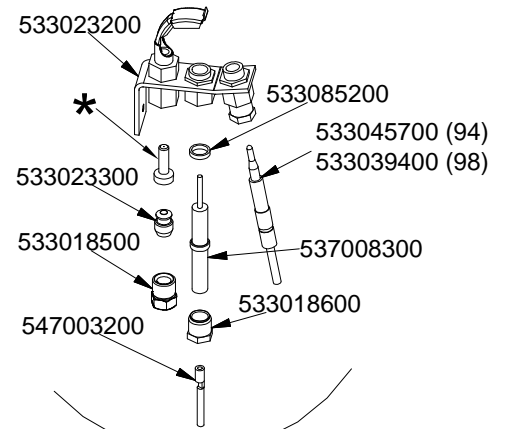
560026000M00P00

IPERLOTUS 90

COMPONENTI COMUNI / STANDARDS PARTS / UEBLICHE TEILE / COMPOSANTS COMMUNS

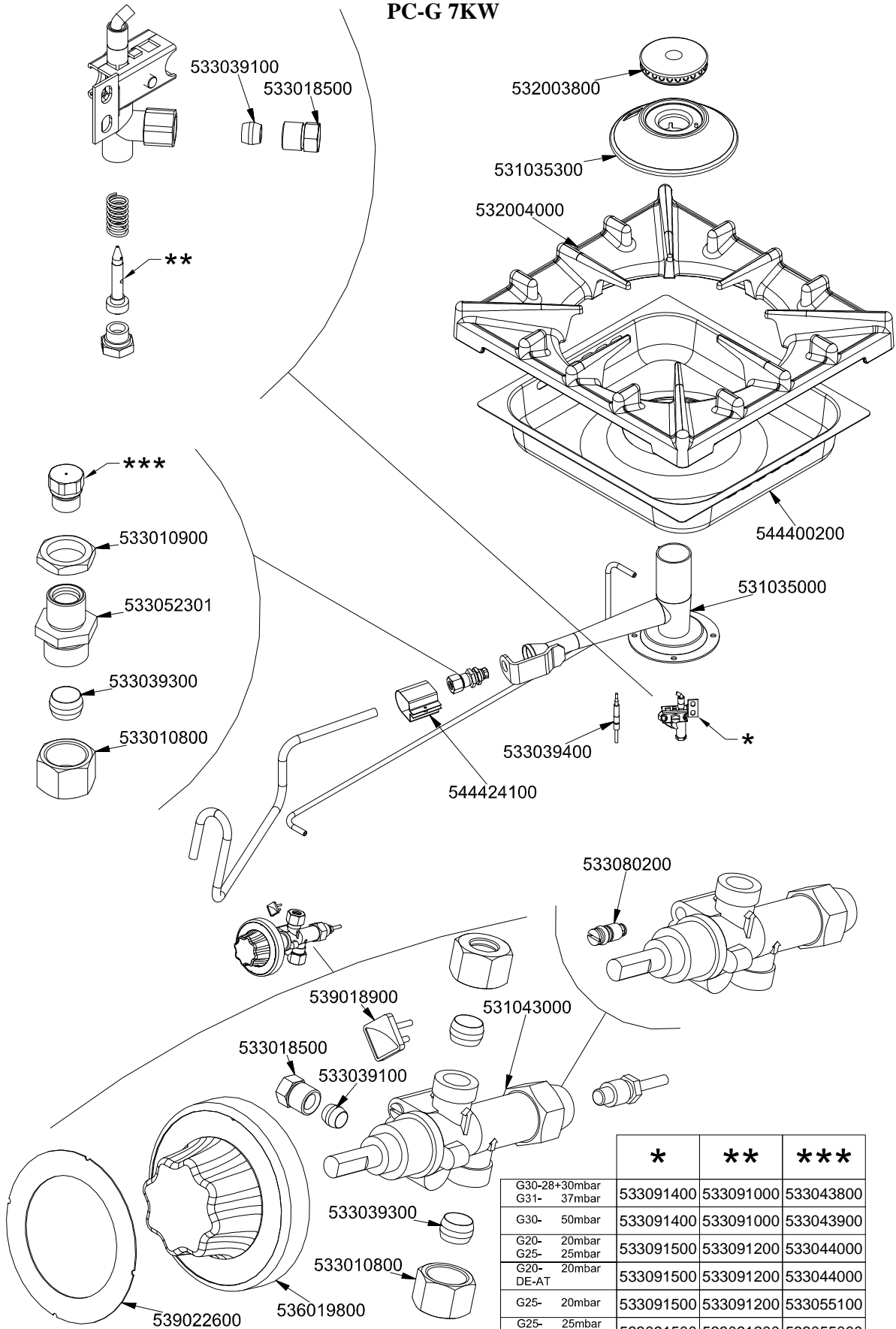
TP

	*	**	**
		TP-94	TP-98
G30-28+30mbar G31- 37mbar	533020500	533057700	533019600
G30- 50mbar	533020500	533057600	533046200
G20- 20mbar G25- 25mbar	533020600	533047400	533057500
G20- 20mbar DE-AT	533020600	533047400	533057500
G25- 20mbar	533020600	533047300	533032801
G25- 25mbar NL	533020600	533047500	533032001



560025900M00P00

PC-G 7KW



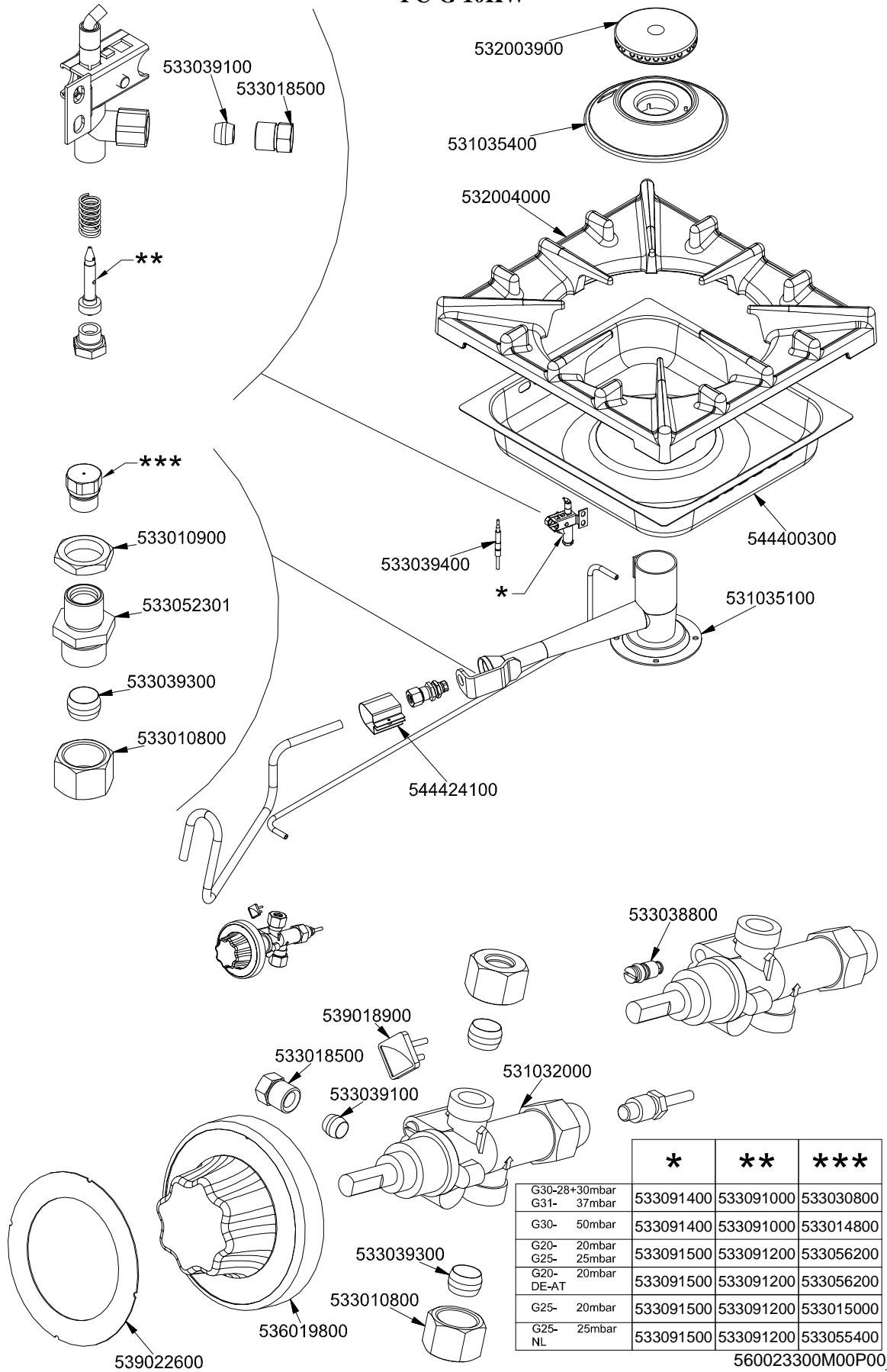
	*	**	***
G30-28+30mbar	533091400	533091000	533043800
G31- 37mbar	533091400	533091000	533043900
G30- 50mbar	533091400	533091000	533043900
G20- 20mbar	533091500	533091200	533044000
G25- 25mbar	533091500	533091200	533044000
G20- 20mbar DE-AT	533091500	533091200	533044000
G25- 20mbar	533091500	533091200	533055100
G25- 25mbar NL	533091500	533091200	533055000

560023200M00P00

IPERLOTUS 90

COMPONENTI COMUNI / STANDARDS PARTS / UEBLICHE TEILE / COMPOSANTS COMMUNS

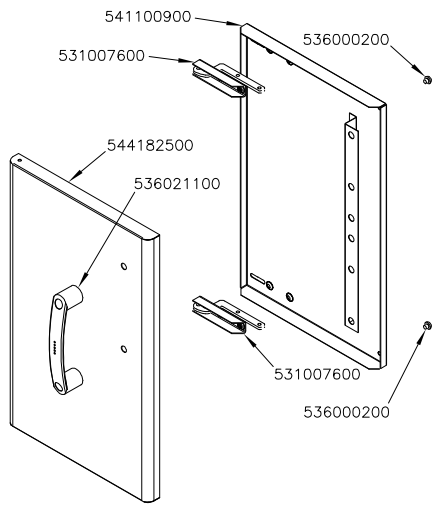
PC-G 10KW



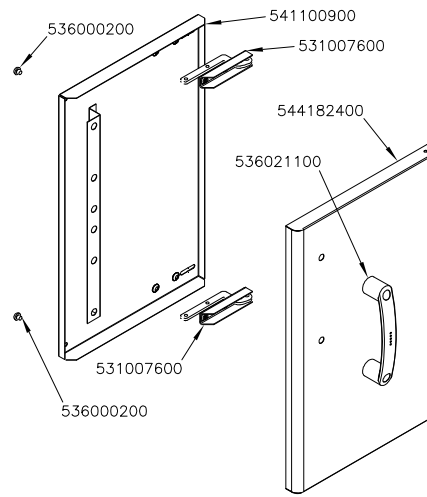
	*	**	***
G30-28+30mbar	533091400	533091000	533030800
G31- 37mbar			
G30- 50mbar	533091400	533091000	533014800
G20- 20mbar	533091500	533091200	533056200
G25- 25mbar			
G20- 20mbar	533091500	533091200	533056200
G25- 20mbar	533091500	533091200	533015000
G25- 25mbar	533091500	533091200	533055400

560023300M00P00

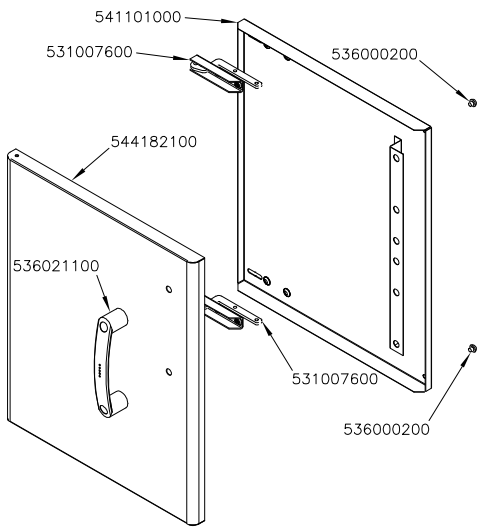
PORTE / DOORS / FLÜGELÜREN / PORTES N°≤0601



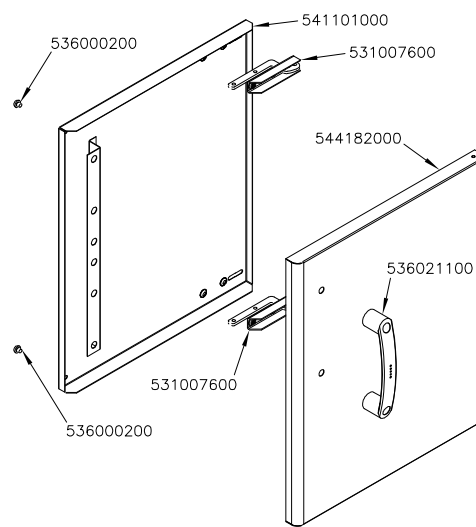
P-73/93 SX



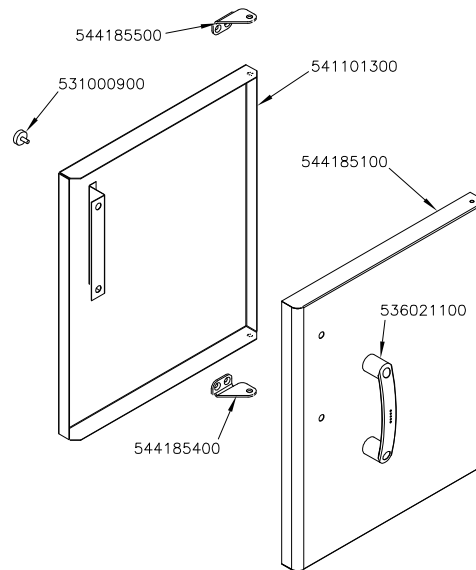
P-73/93 DX



P-74/94 SX



P-74/94 DX



P-74/94 DX CF

560012800M00P00

Page	Pos	Code	Description
001		541118000	UPPER PLATE TP2-912G(TPF2-912G/GV)
001		532004100	FLUE GRID L=370 70LINE (RAF)
001		544407200	RIGHT SIDE PANEL RANGE 70 LINE
001		541120300	CONTROL PANEL TPF2-912G
001		544407100	RIGHT SIDE PANEL RANGE 90 LINE
001		536005200	INOX LEG 2" 120-180 M10
002		544187100	OVEN INNER DOOR GN 2/1 S.70
002		531022800	LEFT OVEN DOOR HINGE S.70
002		544156900	
002		531013100	OVEN DOOR HANDLE OF 70/90-LINE
002		531022900	HINGE DOOR WHEEL HOLDER S.70
002		531022700	RIGHT OVEN DOOR HINGE 70LINE
002		541102300	GAS OVEN INNER DOOR GN 3/1 S.70
002		531072800	
002		544187000	OVEN DOOR GN 3/1 S.70
003		533033800	LOCK SPRING FOR BULB §6
003		536010800	OVEN GASKET GN 2/1 (1261)
003		531036600	LHD RACK HOLDER FOR OVEN S.90
003		531036300	OVEN RACK GN 2/1 FOR 90 LINE
003		531036500	RHD RACK HOLDER FOR OVEN S.90
003		544409900	90 GAS OVEN BOTTOM GN2/1
004		533020500	NOZZLE 0.140 §19
004		533020600	NOZZLE 0.140 §27
004		533015200	NOZZLE §145 CH12*14 F-FP/CP6
004		533030600	NOZZLE §125 CH12*14
004		533056100	NOZZLE §220 CH12*14
004		533056300	NOZZLE §240 CH12*14
004		533056200	NOZZLE §230 CH12*14
004		533069700	BY PASS COCK §075 25ST
004		533069400	BY PASS COCK §065 25ST
004		531031600	HORIZON.THERMOSTATIC TAP BY-PASS 75
004		531033800	HORIZON.THERMOSTATIC TAP BYPASS §65
004		539018800	INDEX FOR OVEN KNOB
004		539023900	SIGN PLATE FOR OVEN TEMPERATURE
004		537002800	PIEZOELECTRIC IGNITION M18
004		536019800	BLACK KNOB §70 PIN §8*6,5
004		539008100	ADHESIVE GRADUATED DISC FOR KNOB
004		539023800	SIGN PLATE FOR OVEN TIMER
004		531024800	TIMER 120'- 360°
004		536019700	BLACK KNOB §70 PIN §6*5
004		539023600	ADHESIVE GRADUATED DISC FOR KNOB
004		533039100	BICONE §6
004		533018500	FITTING FOR BICONE D.6 M10*1
004		533039300	BICONE §10
004		533010800	TUBE NUT D.10 M16*1,5
004		547013900	HIGH-VOLTAGE CABLE TUB.§2 L=1400
004		533018600	PLUG FITTING
004		533023300	BICONE §6 ("TARGET" PILOT)
004		537008300	ROUND PLUG §2,4- LONG ELECTRODE
004		533041800	THERMOCOUPLE 1500 M9*1
004		533085200	

Page	Pos	Code	Description
004		533023200	"TARGET" PILOT + NIPPLE TC BRAC.90°
004		544362100	UPPER BURNER DEFLECTOR FOR OVEN 70
004		544362200	UPPER PILOT DEFLECTOR FOR OVEN 70
004		544362400	SIDE PILOT DEFLECTOR FOR OVEN 70
004		531004700	BURNER FOR OVEN GN 2/1 S.70
004		544362300	SIDE BURNER DEFLECTOR FOR OVEN 70
004		533053000	AIR ADJUSTMENT BUSHING §18
004		533010900	NUT M14*1 H.4
004		531025600	ELBOW 90° NOZZLE-HOLDER §10 PIPE
005		531003300	TP-PLATE LIFTING HOOK
006		533020500	NOZZLE 0.140 §19
006		533020600	NOZZLE 0.140 §27
006		533052301	JOINT FOR NOZZLE HOLDER
006		533039300	BICONE §10
006		533010900	NUT M14*1 H.4
006		533010800	TUBE NUT D.10 M16*1,5
006		539018900	INDEX FOR KNOB
006		533018500	FITTING FOR BICONE D.6 M10*1
006		533039100	BICONE §6
006		533023600	TAP PLUG §10 M16*1, 5CH19
006		531025500	GAS COCK 21S P.V.BY-PASS Ø130
006		536019800	BLACK KNOB §70 PIN §8*6,5
006		539022600	GRADUATED STICKER FOR KNOB
006		537002800	PIEZOELECTRIC IGNITION M18
006		533069600	BY PASS COCK §130 20S-21S
006		533085200	
006		537008300	ROUND PLUG §2,4- LONG ELECTRODE
006		533018600	PLUG FITTING
006		533023300	BICONE §6 ("TARGET" PILOT)
006		547003200	HIGH-VOLTAGE CABLE TUBE.§2 L=500
006		533023200	"TARGET" PILOT + NIPPLE TC BRAC.90°
007		533091000	NOZZLE 0.100 §20
007		533091200	PILOT NOZZLE 0100 Ø35 PIL.PC
007		533091400	P.NOZZLE S100 UG.§20 PC90 LPG-FLUS
007		533091500	PILOT NOZZLE S.100 §30 PC90 NAT.GAS
007		533043800	NOZZLE §130 CH12*14 G-CW4
007		533043900	NOZZLE §115 CH12*14 F-CW4
007		533044000	NOZZLE §195 CH12*14 M-CW4
007		533055100	NOZZLE §215 CH12*14 L-CW4
007		533055000	NOZZLE §205 CH12*14 G25 CW4
007		533039100	BICONE §6
007		533018500	FITTING FOR BICONE D.6 M10*1
007		532003800	BURNER COVER RING §082
007		531035300	MEDIUM BURNER BODY 90 LINE
007		532004000	1 FLAME GRILL 396X366 (90)
007		544400200	BURNER DRIP PAN 2/3
007		531035000	MEDIUM BURNER VENTURI 90 LINE
007		533039400	THERMOCOUPLE M9*1*850
007		544424100	
007		533010900	NUT M14*1 H.4
007		533052301	JOINT FOR NOZZLE HOLDER

Page	Pos	Code	Description
007		533039300	BICONE §10
007		533010800	TUBE NUT D.10 M16*1,5
007		533080200	BY PASS COCK §65 20S-21S
007		539018900	INDEX FOR KNOB
007		531043000	GAS COCK 21S P.V. BY-PASS §065
007		536019800	BLACK KNOB §70 PIN §8*6,5
007		539022600	GRADUATED STICKER FOR KNOB
008		533091000	NOZZLE 0.100 §20
008		533091200	PILOT NOZZLE 0100 Ø35 PIL.PC
008		533091400	P.NOZZLE S100 UG.§20 PC90 LPG-FLUS
008		533091500	PILOT NOZZLE S.100 §30 PC90 NAT.GAS
008		533030800	NOZZLE §155 CH12X14 M-CW
008		533014800	NOZZLE §135 CH12*14,0
008		533056200	NOZZLE §230 CH12*14
008		533015000	NOZZLE D.I 260 G110 (TOWN GAS)
008		533055400	NOZZLE §245 CH12*14
008		533039100	BICONE §6
008		533018500	FITTING FOR BICONE D.6 M10*1
008		532003900	BURNER COVER RING §100
008		531035400	BIG BURNER BODY 90 LINE
008		532004000	1 FLAME GRILL 396X366 (90)
008		533010900	NUT M14*1 H.4
008		533052301	JOINT FOR NOZZLE HOLDER
008		533039300	BICONE §10
008		533010800	TUBE NUT D.10 M16*1,5
008		533039400	THERMOCOUPLE M9*1*850
008		544400300	BURNER DRIP PAN 2/3
008		531035100	BIG BURNER VENTURI 90 LINE
008		544424100	
008		533038800	75 BY-PASS FOR 21S TAP
008		539018900	INDEX FOR KNOB
008		531032000	GAS COCK P.V.BY-PASS Ø075
008		536019800	BLACK KNOB §70 PIN §8*6,5
008		539022600	GRADUATED STICKER FOR KNOB
009		541100900	INNER DOOR 73
009		531007600	DOOR HINGE
009		536000200	D.12 H.4 BUMPER
009		544182500	RIGHT DOOR 73
009		536021100	BLACK HANDLE 70LINE + 2RED POINTS
009		531007800	
009		544182400	RIGHT DOOR 73
009		541101000	INNER DOOR 74
009		544182100	LEFT DOOR 74
009		544182000	RIGHT DOOR 74
009		544185500	UPPER DOOR HINGE FOR COMPARTME CF70
009		531000900	MAGNET §22 KG.3 WITH DISK
009		541101300	RIGHT INNER DOOR 74 CF
009		544185100	RIGHT DOOR 74
009		544185400	LOWER DOOR HINGE FOR COMPARTME CF70