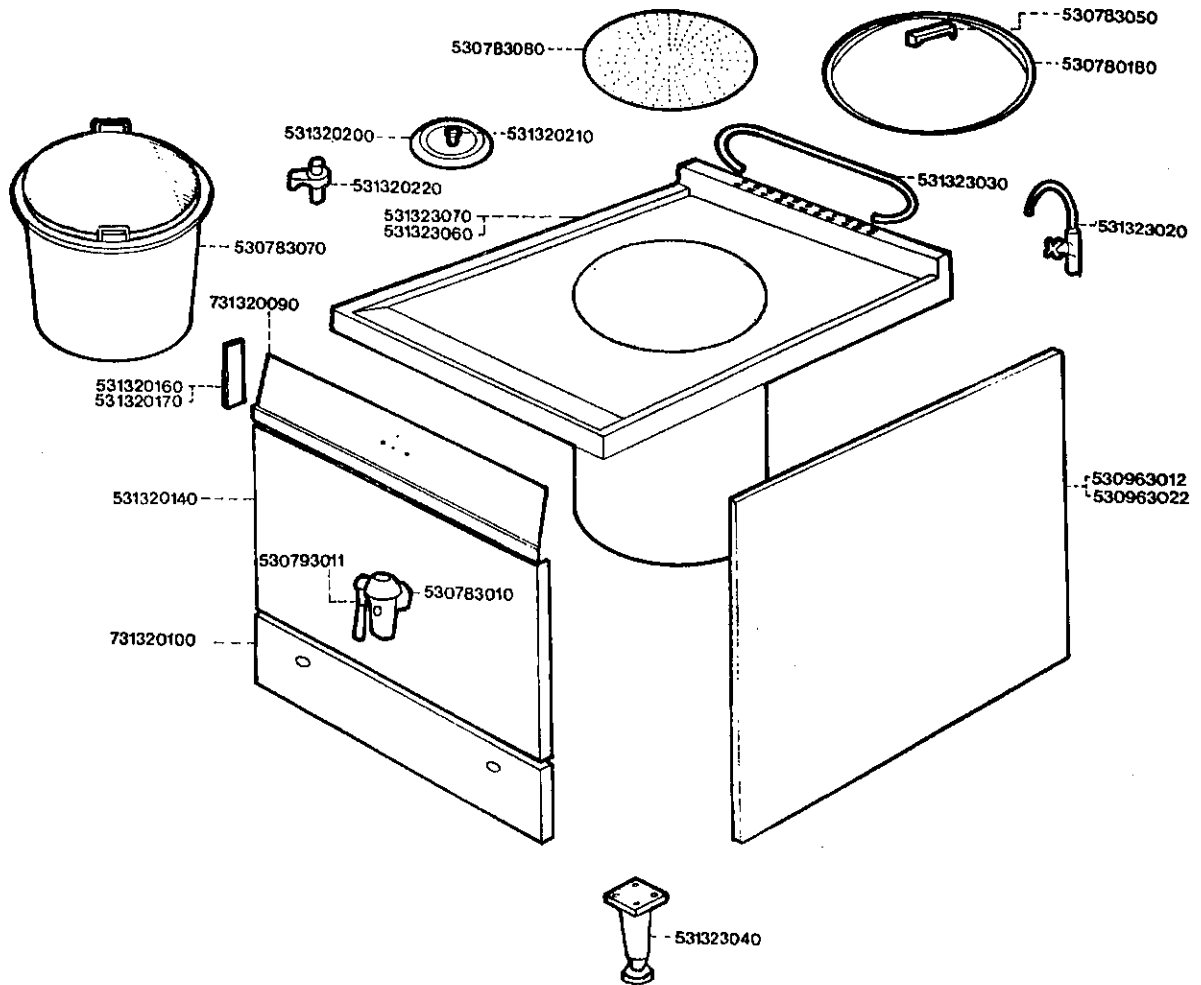


E3080 10 GALLON BOILING PAN

Fitments



Code	No.	Description
H07	530780180	Pan Lid c/w Handle
K09	530783010	Draw Off Cock
C07	530783050	Pan Lid Handle Assembly
N07	530783070	Lift Out Inner Pan (Dual Purpose Only)
G10	530783080	Strainer
D07	530793011	Handle For Draw Off Cock
G05	530963012	Outer Side Panel — L.H.
G05	530963022	Outer Side Panel — R.H.
F04	531320140	Front Panel
D02	531320160	Side Trim — L.H.
D02	531320170	Side Trim — R.H.
D01	531320200	Filler Cup Lid c/w Knob (Dual Purpose Only)
B04	531320210	Filler Cup Lid Knob (Dual Purpose Only)
B12	531320220	Pan Clamp (Dual Purpose Only)
J02	531323020	Swivel Cap
E11	531323030	Lid Holder
B09	531323040	Adjustable Leg
P01	531323060	Pan and Hob Assembly (Dual Purpose)
P07	531323070	Pan and Hob Assembly (Single Purpose)
E02	731320090	Control Panel
F03	731320100	Bottom Front Panel

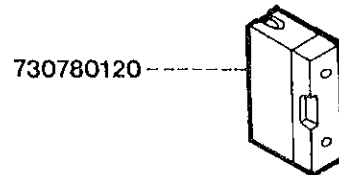
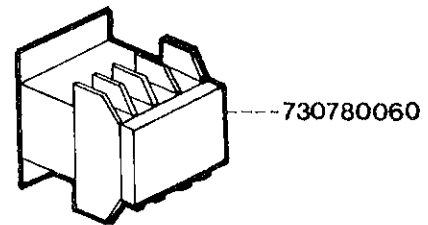
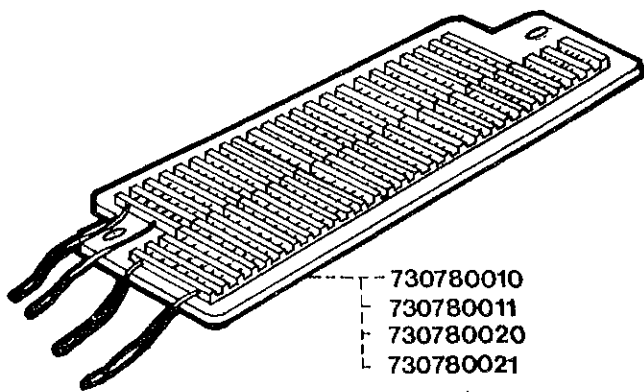
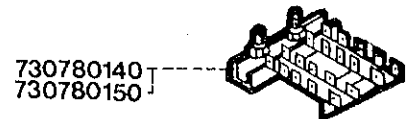
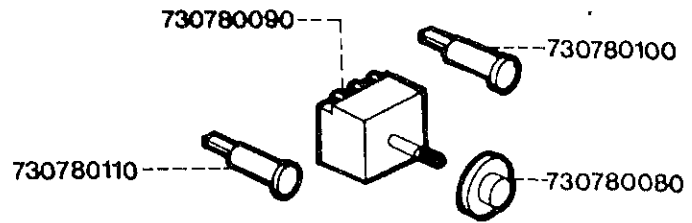
Sheet Reference Number

E3080/1287/001

**Falcon Catering
Equipment**
Commercial and institutional
catering equipment



Falcon Catering Equipment is a
business name of
Glynwed Consumer & Building Products Ltd
a member of the
Glynwed International plc
group of companies



Code	No.	Description
K04	730780010	240V Element Assembly — L.H.
K01	730780011	220V Element Assembly — L.H.
K04	730780020	240V Element Assembly — R.H.
K01	730780021	220V Element Assembly — R.H.
G10	730780060	Contactor
B08	730780080	Control Knob
C11	730780090	Simmerstat
B07	730780100	Indicator Neon — Red
B07	730780110	Indicator Neon — Amber
C02	730780120	Dennis Fuse 15A
B06	730780140	Terminal Block L — N
B06	730780150	Terminal Block L2 — L3

Sheet Reference Number

E3080/1287/002

**Falcon Catering
Equipment**
Commercial and institutional
catering equipment



Falcon Catering Equipment is a
business name of
Glynwed Consumer & Building Products Ltd
a member of the
Glynwed International plc
group of companies