



Kochgeräte Grillplatten Serie 700

Artikel-Nr. 133204, 133205, 133206, 133227,
133216, 133217, 133218, 133219, 133220, 133221, 133228
(418031-131250PXI, -136250 PXI, -131451 PXI, -136451PXI,
-531250 XI, 536250XI, - 532250XI, -531451XI, -532451XI, -534451XI,
-532250XI)

Explosionszeichnung

SPARE PARTS CATALOGUE

Introduction:

This catalog enables to recognize our appliances' main spare parts reading the single exploded views.

How to look up in our catalogue :

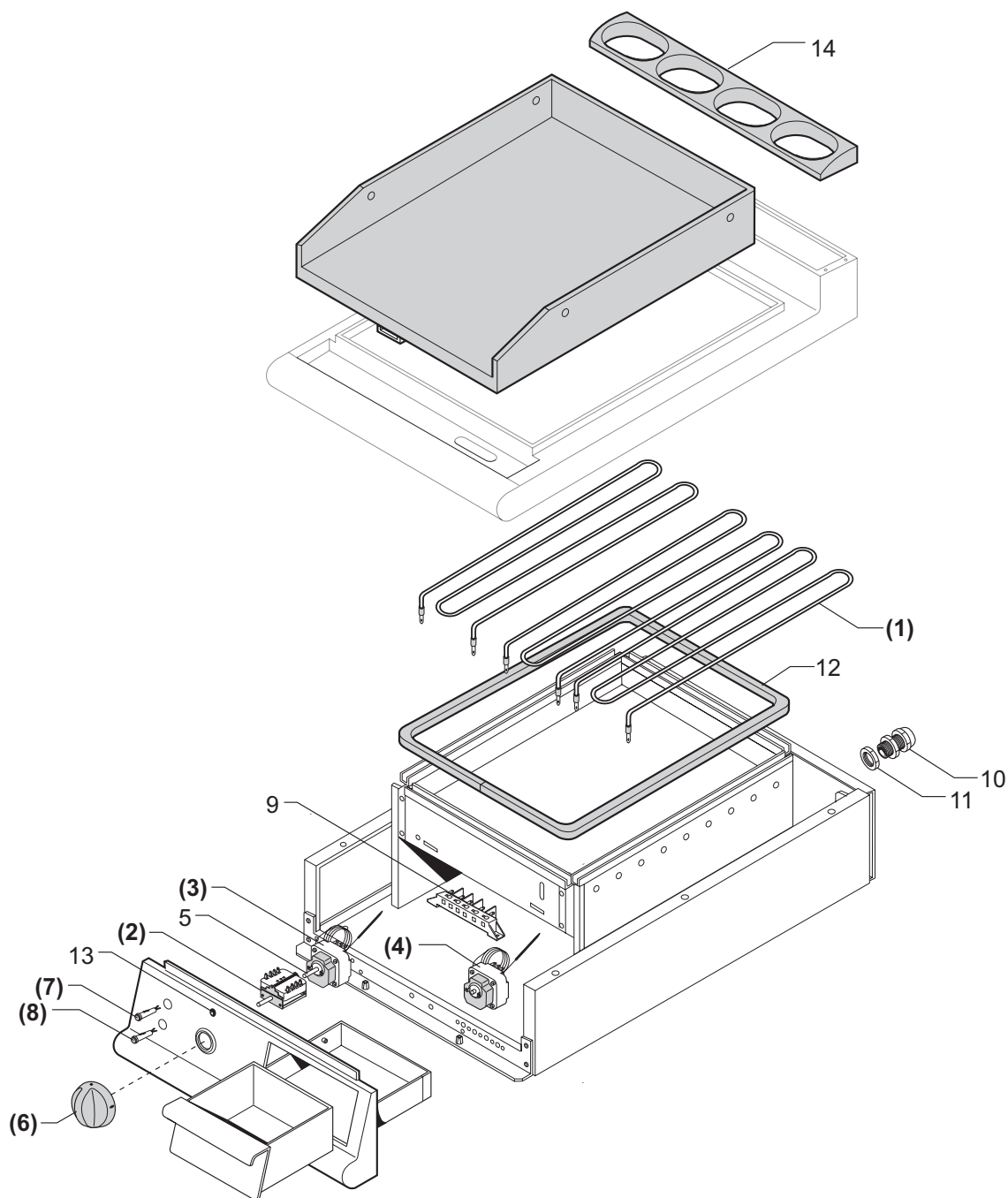
Hereunder we describe the correct method to look up in our catalogue, in order to locate the desired spare part in a quicker and more precise way.

For Example: You need the component's code-number of a gasrange with burners 1/1M.

- 1) Find the appliance's model and serial number on the rating plate.
(The rating plates are positioned in the internal side of the control panel).
- 2) Search for the belonging family in the index (BCPxxx-(0B)) . (f.ex. Gasrange with burners - top 1/1M).
- 3) After you have found the corresponding table you verify if the appliance's serial number is subsequent to that one indicated in the table.
- 4) You locate the desired spare part in the drawing on the left, and find the corresponding position in the table on the right.
- 5) Hence you obtain the codenumber and the description of the spare part you need.

LEGEND:

Position on the EXPLODED VIEW			X => Recommended spare part			
Article's codenr.		Technical description	Quantity x each model		Series	
					1/2M => L=40 cm.	
					1/1M => L=80 cm.	
					1+1/2M => L=120 cm.	
Pos	Codice	Descrizione	700	1/1M		
1	822410081	Medium burner head (Dm.102)		1		
2	822410051	Medium venturi duct (Dm.102)		1		
14	826920140	Pilot burner	x	2		



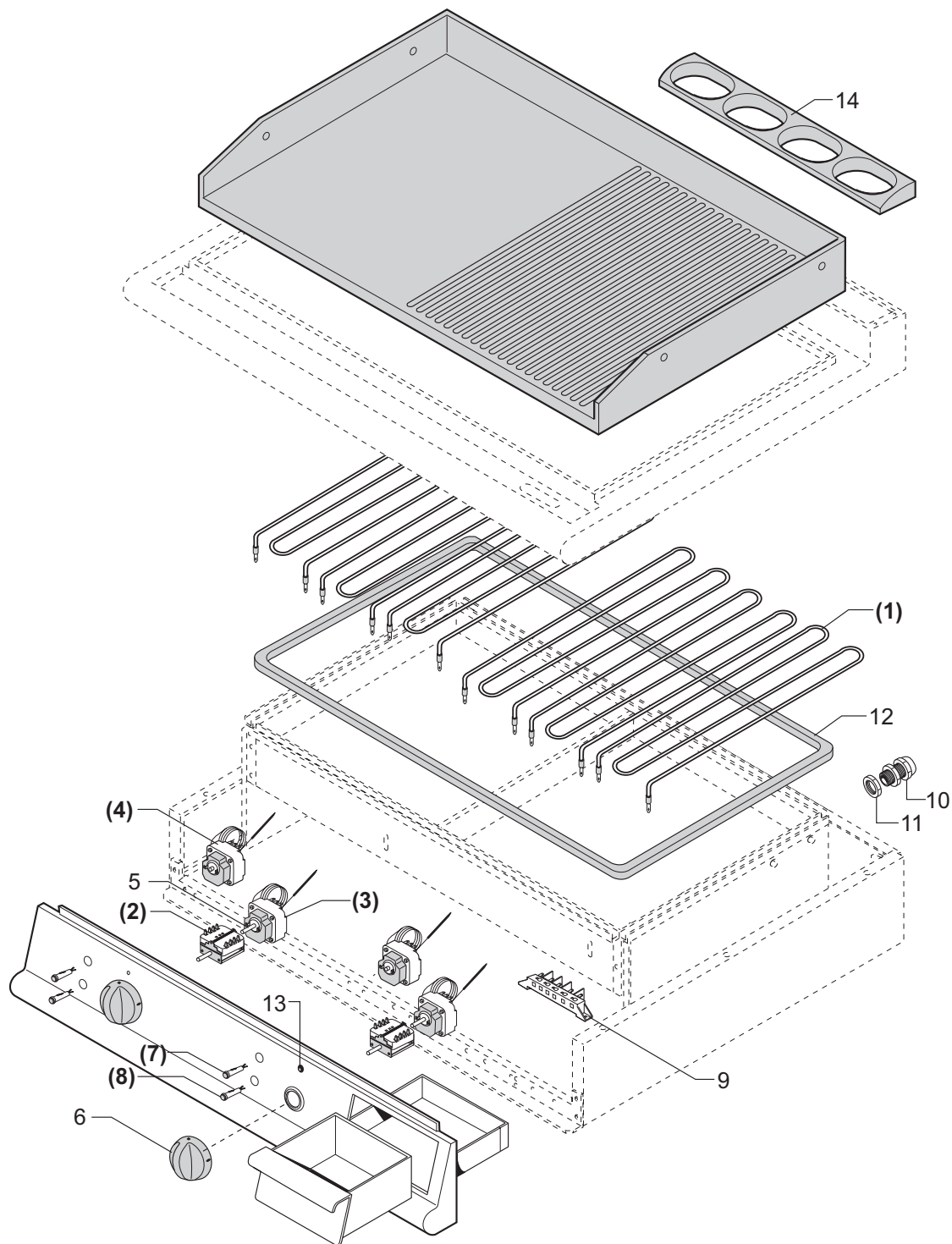
(.....) RICAMBIO CONSIGLIATO
 (.....) SUGGESTED SPARE-PARTS

FRY-TOP EL. TOP (Serie 700 - 1/2M)
 ELECTRIC FRY-TOP (Serie 700 - 1/2M)

Tav. Rif. BCP0070-(64)

RIF. REF. Da matricola n°
 From serial n°

Rev.00 del 16/06/1997



(.....) RICAMBIO CONSIGLIATO
 (.....) SUGGESTED SPARE-PARTS

FRY-TOP EL. TOP (Serie 700 - 1/1M)
 ELECTRIC FRY-TOP (Serie 700 - 1/1M)

Tav. Rif. BCP0070-(66)

RIF. REF. Da matricola n°
 From serial n°

Rev.00 del 16/06/1997

