

AC20 Parts List

Table of Contents

Cabinet

Air Cooled

Water Cooled

Evaporator/Freezing Chamber

Pump/Drain Tubes

Storage Bin

Water Pump

Compressor

Control Box

Heat Exchanger

Panels and Liner

Wiring Diagrams

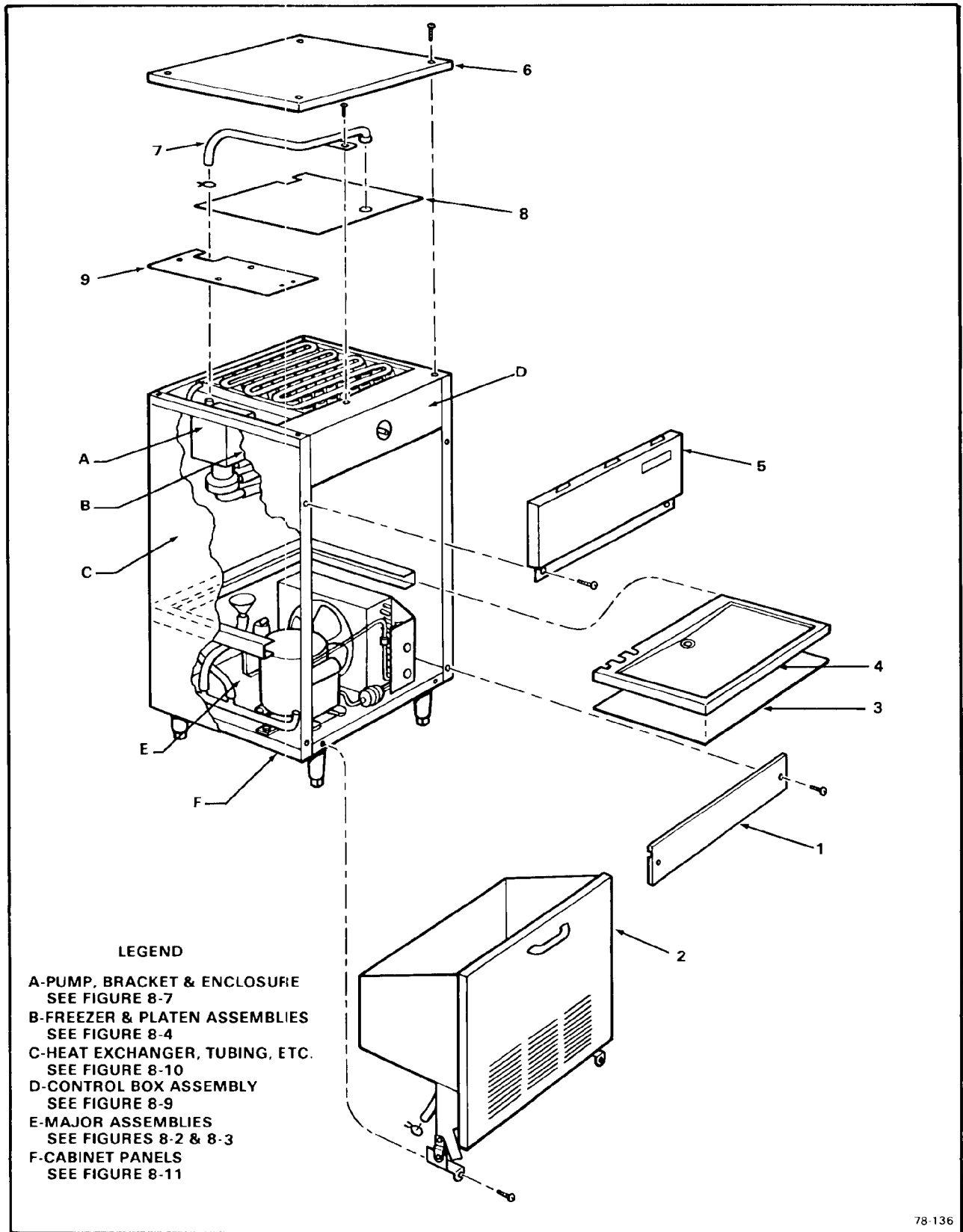


Figure 8-1. AC-20 Cabinet.

Figure 8-1. AC-20 Cabinet.

INDEX NO.	DESCRIPTION	PART NUMBER	REQ'D NUMBER
	AC-20 Cabinet * * *	No Number	1
1	Plate, Kick (C.R.S. Painted)	A25708-001	1
	Plate, Kick (Stainless Steel)	A25708-002	1
	attaching parts, Index 1		
	Screw, No. 8 x 1/2 T/F Tap	03-1404-10	2
	* * *		
2	Door/Bin Assembly, Lower Front (C.R.S. Painted)	A25717-001	1
	Door/Bin Assembly, Lower Front (Stainless Steel)	A25717-002	1
	Attaching parts, Index 2		
	Clamp, Hose 13/16-inch O.D.	02-1338-00	1
	Screw, No. 1/4-20 x 1/2 T/C Hex Hd	03-0571-00	2
	* * *		
3	Retainer, Heat - Bottom	A25804-001	1
	* * *		
4	Retainer, Heat - Foamed	02-2237-01	1
	* * *		
5	Door Assembly, Upper Front (C.R.S. Painted)	A25709-001	1
	Door Assembly, Upper Front (Stainless Steel)	A25709-002	1
	attaching parts, Index 5		
	Screw, No. 8 x 1/2 T/F Tap	03-1404-10	2
	* * *		
6	Panel, Top (C.R.S. Painted)	A25704-001	1
	Panel, Top (Stainless Steel)	A25704-002	1
	attaching parts, Index 6		
	Screw, No. 8 x 1-1/4 S/T Flat Hd	03-1419-09	4
	* * *		

Figure 8-1. AC-20 Cabinet. (Cont'd.)

INDEX NO.	DESCRIPTION	PART NUMBER	REQ'D NUMBER
7	Tube, Defrost attaching part, Index 7 Clamp, Hose Screw, No. 8 x 1/2 T/F Tap * * *	A25796-001 02-0535-00 03-1404-10	1 1 1
8	Cover, Platen * * *	A25799-001	1
9	Baffle, Air attaching part, Index 9 Screw, No. 8 x 1/2 T/F Tap * * *	A25789-001 03-1404-10	1 3

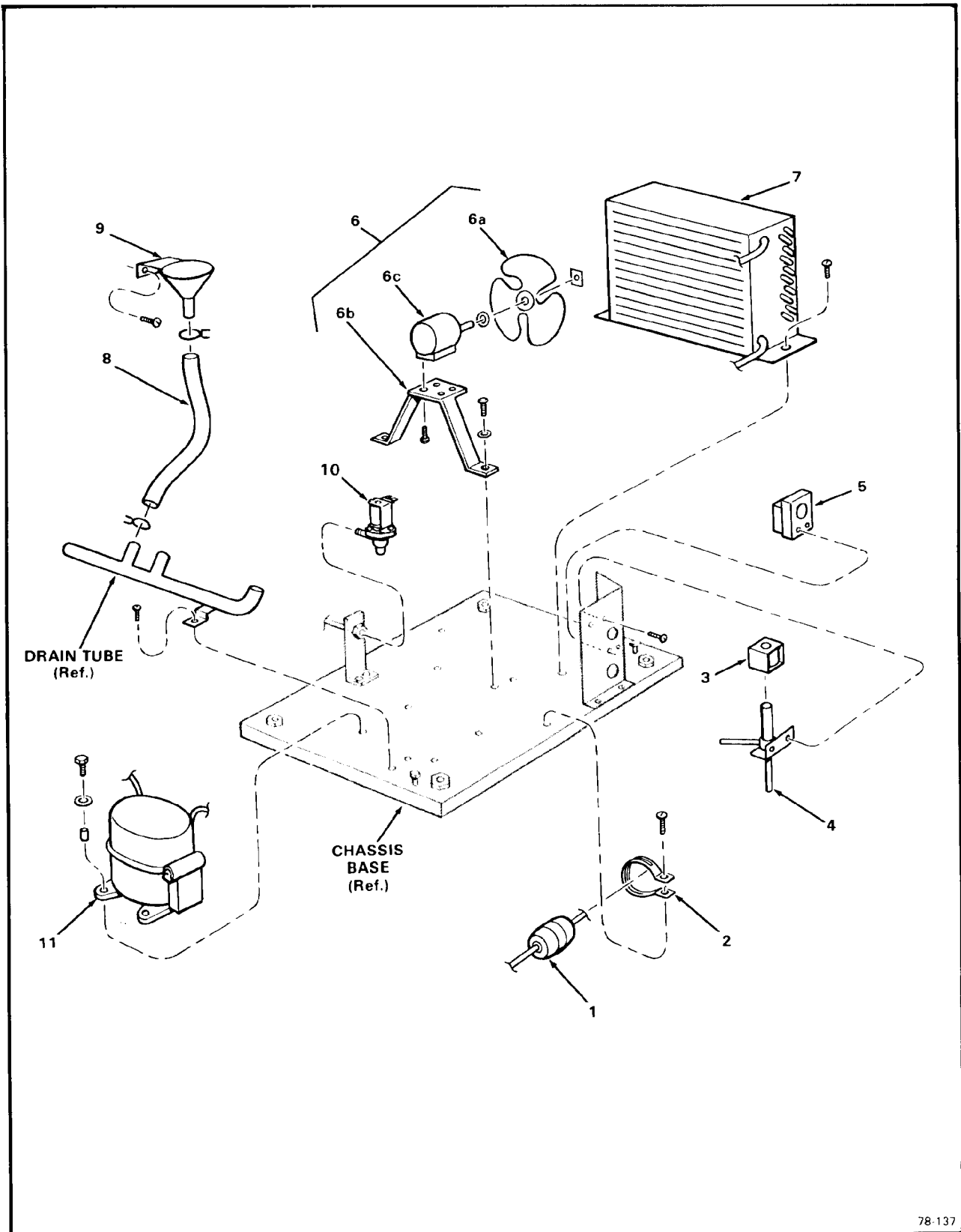


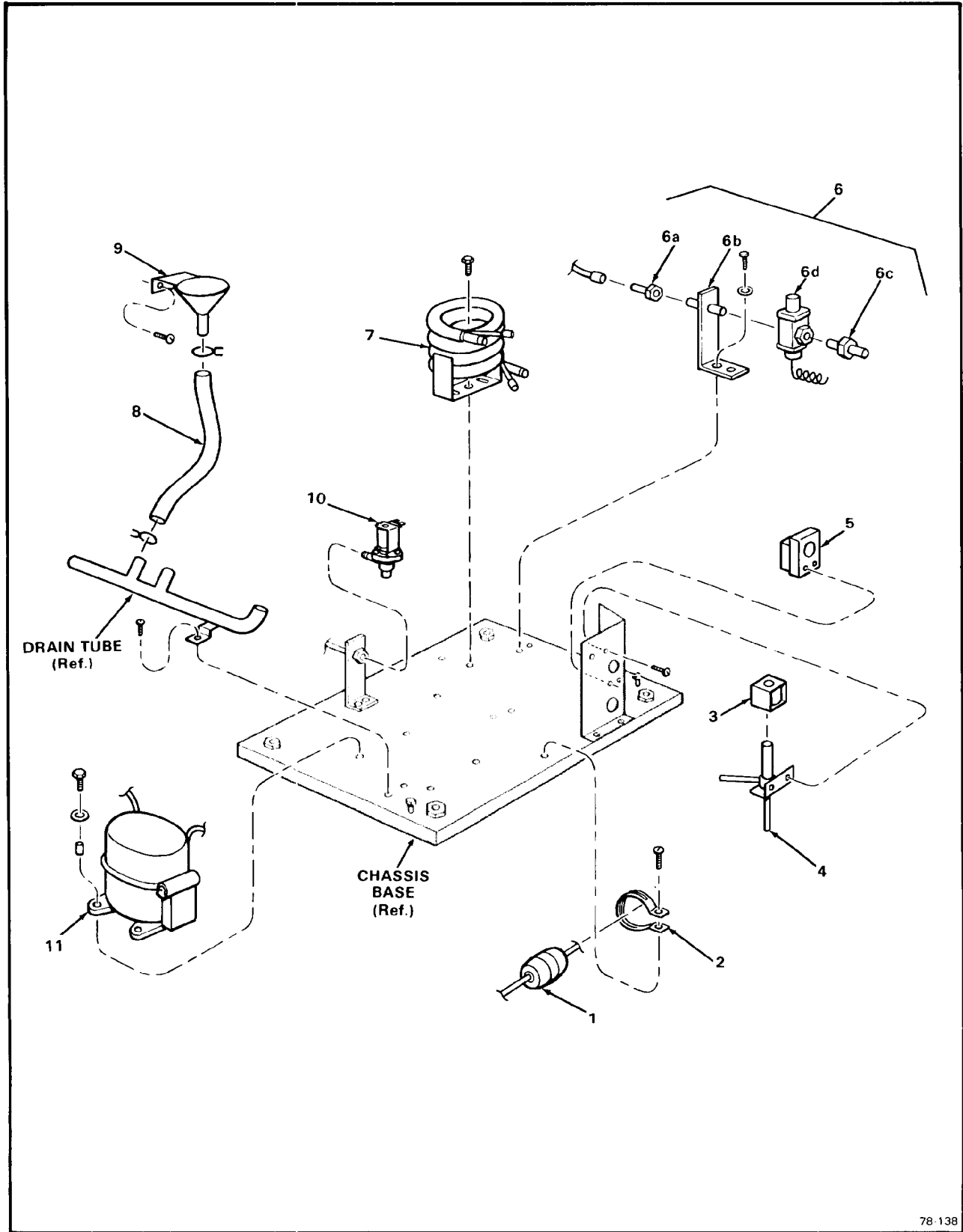
Figure 8-2. Major Assemblies - Air-Cooled.

Figure 8-2. Major Assemblies - Air-Cooled.

INDEX NO.	DESCRIPTION	PART NUMBER	REQ'D NUMBER
	Major Assemblies - Air-Cooled * * *	No Number	Ref.
1	Drier	02-0831-00	1
2	Brace, Drier attaching parts, Index 1 & 2 Screw, No. 8 x 1/2 T/F Tap * * *	A09386-000 03-1404-09	1 1
3	Coil & Frame Assembly, Hot Gas Valve	12-2008-01	1
4	Body & Plunger Assembly, Hot Gas Valve attaching parts, Index 3 & 4 Screw, No. 8-32 x 3/8 Pan Hd * * *	12-2007-01 03-1403-17	1 2
5	Control, Hi Pressure attaching part, Index 5 Screw, No. 8 x 1/2 T/F Tap * * *	11-0394-01 03-1404-09	1 2
6	Bracket Assembly, Fan Motor & Mounting	No Number	1
6a	Blade, Fan Pad, Vibration (p/o Fan Motor) Nut, Fan Mounting (p/o Fan Blade)	18-0420-00 No Number No Number	1 1 1
6b	Bracket, Fan Mounting	18-3705-01	1
6c	Motor, Fan attaching parts, Index 6c to 6b Screw (p/o Fan Motor) attaching parts, Index 6b to Chassis Base Lockwasher, No. 1/4 Internal Tooth - Carbon Steel Zinc Plated Screw, No. 1/4-20 x 1/2 T/C Hex Hd * * *	12-1575-01 No Number 03-1417-08 03-0571-00	1 4 2 2

Figure 8-2. Major Assemblies - Air-Cooled (Con't)

INDEX NO.	DESCRIPTION	PART NUMBER	REQ'D NUMBER
7	Condenser - Air Cooled attaching parts, Index 7	18-3706-01	1
	Screw, No. 1/4-20 x 1/2 T/C Hex Hd * * *	03-0571-00	2
8	Tube - 1/2-inch I.D. x 12-1/4 (order per foot)	13-0674-04	1
9	Cup Drain attaching parts, Index 8 & 9	02-2248-01	1
	Screw, No. 6 x 3/8 T/F Tap	03-1404-23	2
	Clamp, Hose * * *	02-0535-00	2
10	Valve, Water Inlet * * *	12-1900-05	1
11	Compressor (See Figure 8-8) attaching parts, Index 11	No Number	1
	Grommet	18-2200-28	4
	Sleeve, Mounting	18-2200-27	4
	Washer, No. 5/16 Plain	03-1407-07	4
	Screw, No. 5/16-18 x 1-1/2 Hex Cap * * *	03-1405-20	4



78-138

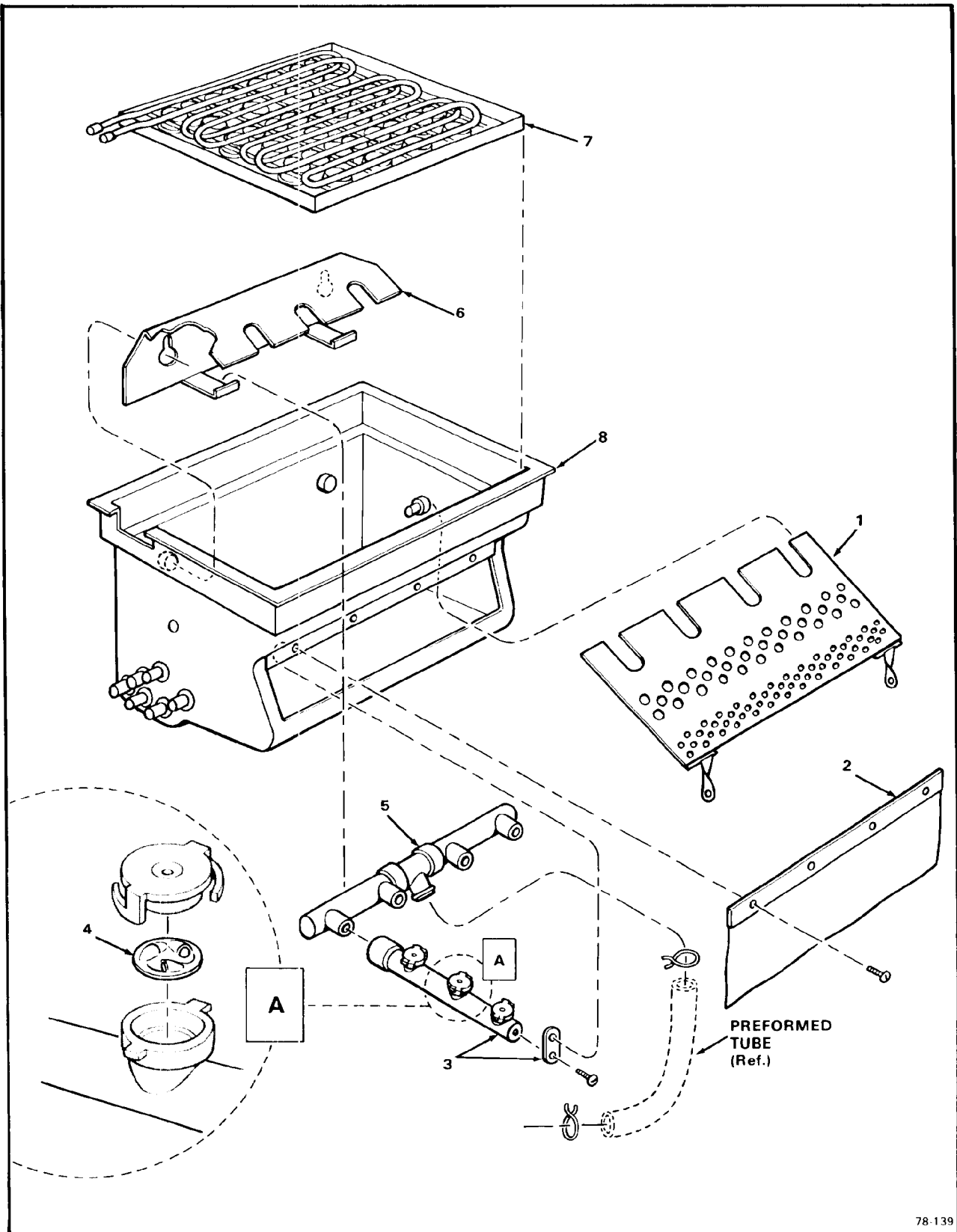
Figure 8-3. Major Assemblies - Water-Cooled.

Figure 8-3. Major Assemblies - Water-Cooled.

INDEX NO.	DESCRIPTION	PART NUMBER	REQ'D NUMBER
	Major Assemblies - Water-Cooled * * *	No Number	Ref
1	Drier	02-0831-00	1
2	Brace, Drier attaching parts, Index 1 & 2 Screw, No. 8 x 1/2 T/F Tap * * *	A09386-000 03-1404-09	1 1
3	Coil & Frame Assembly, Hot Gas Valve	12-2008-01	1
4	Body & Plunger Assembly, Hot Gas Valve attaching parts, Index 3 & 4 Screw, No. 8-32 x 3/8 Pan Hd * * *	12-2007-01 03-1403-17	1 2
5	Control, Hi Pressure (Flare Nut Connector) Control, Hi Pressure (Solder Connector) attaching part, Index 5 Screw, No. 8 x 1/2 T/F Tap * * *	11-0388-01 11-0388-02 03-1404-09	1 1 2
6	Regulator Assembly, Water attaching parts, Index 6 Lockwasher, No. 1/4 External Tooth - Carbon Steel Zinc Plated Screw, No. 1/4-20 x 1/2 T/C Hex Hd	No Number 03-1417-09 03-0571-00	1 2 2
6a	Union, Half - No. 5/8-18 x 3/8 Flare	16-0677-01	1
6b	Nipple Assembly, Pipe (w/Bracket)	A15924-000	1
6c	Coupling - 3/8 NPT x 3/8 Flare Brass	16-0355-00	1
6d	Valve, Water Regulator * * *	11-0198-02	1
7	Condenser - Water-cooled attaching parts, Index 7 Screw, No. 1/4-20 x 1/2 T/C Hex Hd * * *	18-3707-01 03-0571-00	1 2
8	Tube - 1/2-inch I.D. x 12-1/4 (Order per foot)	13-0674-04	1

Figure 8-3. Major Assemblies - Water-Cooled. (Cont'd.)

INDEX NO.	DESCRIPTION	PART NUMBER	REQ'D NUMBER
9	Cup, Drain attaching parts, Index 8 & 9	02-2248-01	1
	Screw, No. 6 x 3/8 T/F Tap	03-1404-23	2
	Clamp, Hose	02-0535-00	2
	* * *		
10	Valve, Water Inlet * * *	12-1900-05	1
11	Compressor (See Figure 8-8) attaching parts, Index 11	No Number	1
	Grommet	18-2200-28	4
	Sleeve, Mounting	18-2200-27	4
	Washer, No. 5/16 Plain	03-1407-07	4
	Screw, No. 5/16-18 x 1-1/2 Hex Cap	03-1405-20	4
	* * *		

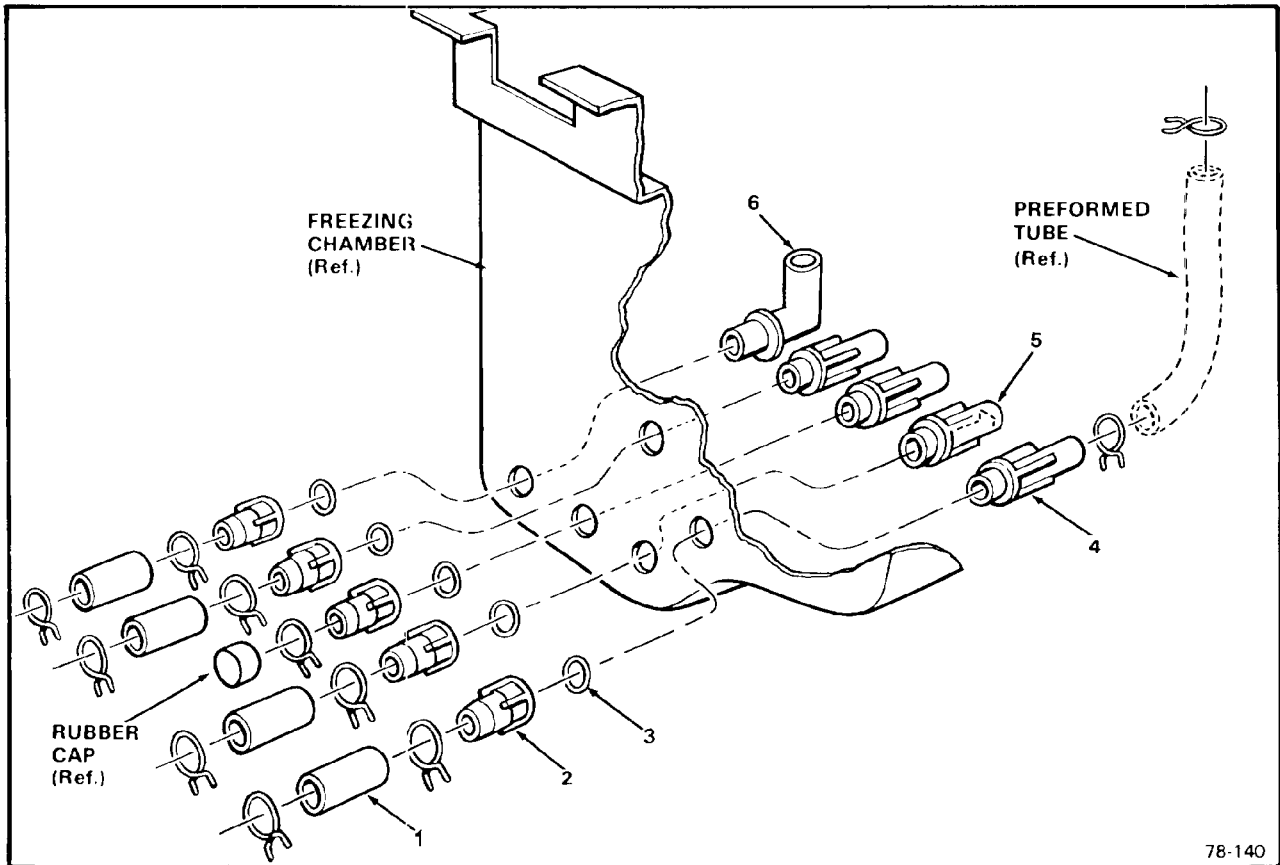


78-139

Figure 8-4. Freezer - Platen Assemblies.

Figure 8-4. Freezer - Platen Assemblies.

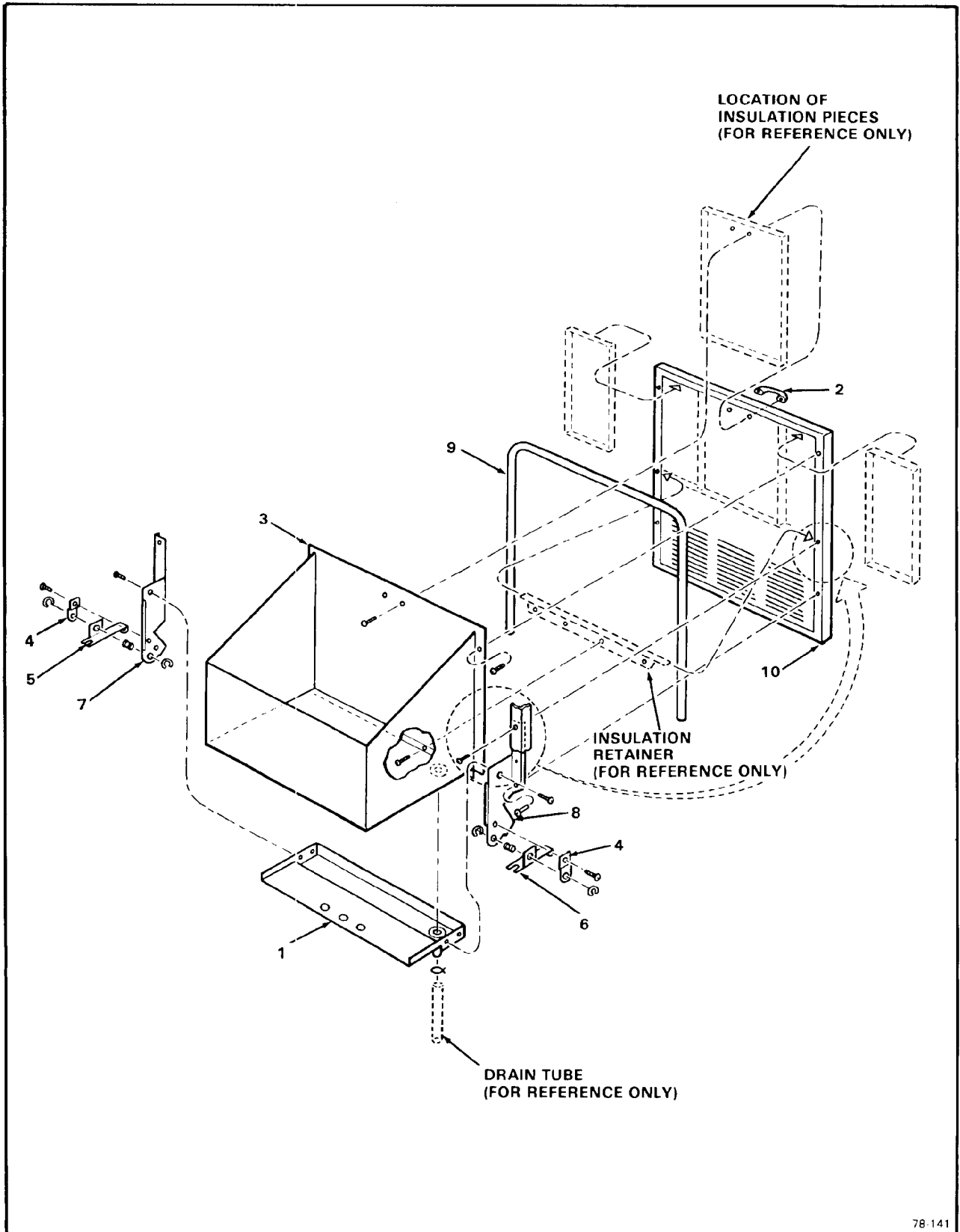
INDEX NO.	DESCRIPTION	PART NUMBER	REQ'D NUMBER
	Freezer - Platen Assemblies (See Figure 8-1 for next higher Assembly) * * *	No Number	Ref.
1	Chute, Cube - Front * * *	A26800-001	1
2	Curtain Assembly attaching parts, Index 2	02-2241-01	1
	Screw, No. 8 x 1/2 T/F Tap S/S * * *	03-1404-10	4
3	Tube, Spray attaching parts, Index 3	A25801-020	4
	Screw, No. 8 x 1/2 T/F Tap S/S (Curtain screws) * * *	03-1404-10	Ref.
4	Spinner, Jet (3 per spray tube) * * *	A09543-000	3 (12)
5	Tube, Manifold * * *	02-2193-01	1
6	Chute, Cube - Rear * * *	A25747-001	1
7	Platen Assembly (medium size ice cubes)	A25748-020	1
	Platen Assembly (small size ice cubes) * * *	A25753-020	1
8	Chamber, Freezing * * *	02-2226-01	1



78-140

Figure 8-5. Freezer-Pump-Drain Tube Connections.

INDEX NO.	DESCRIPTION	PART NUMBER	REQ'D NUMBER
	Freezer-Pump-Drain Tube Connections (See Figure 8-4 for next higher Assembly)	No Number	Ref.
1	*** Tube - 3/4-inch I.D. x 2 (Order per foot)	13-0674-07	4
2	Tube, Female attaching parts, Index 1 & 2	A24379-001	5
	Clamp, Hose	02-1358-01	8
	Clamp, Hose (Fits over Rubber Cap)	02-1530-01	1
3	*** O-Ring	13-0617-02	5
4	*** Tube, Male	02-2080-01	3
5	*** Tube, Pump Pick Up	02-2082-01	1
6	*** Pipe, Stand ***	02-2125-01	1



78-141

Figure 8-6. Lower Front Door Bin Assembly.

Figure 8-6. Lower Front Door Bin Assembly.

INDEX NO.	DESCRIPTION	PART NUMBER	REQ'D NUMBER
	Lower Front Door Bin Assembly (C.R.S Painted)	A25717-001	Ref.
	(See Figure/Index 8-1/2 (Stainless Steel) for next higher Assembly)	A25717-002	Ref.

1	Pan Assembly, Drip attaching part, Index 2	A25725-001	1
	Screw, No. 8 x 1/2 T/F Tap	03-1404-10	4

2	Handle, Door attaching part, Index 2	15-0596-01	1
	Screw, No. 10-24 x 1-1/4 Phil Recess Pan Hd	03-1403-73	2

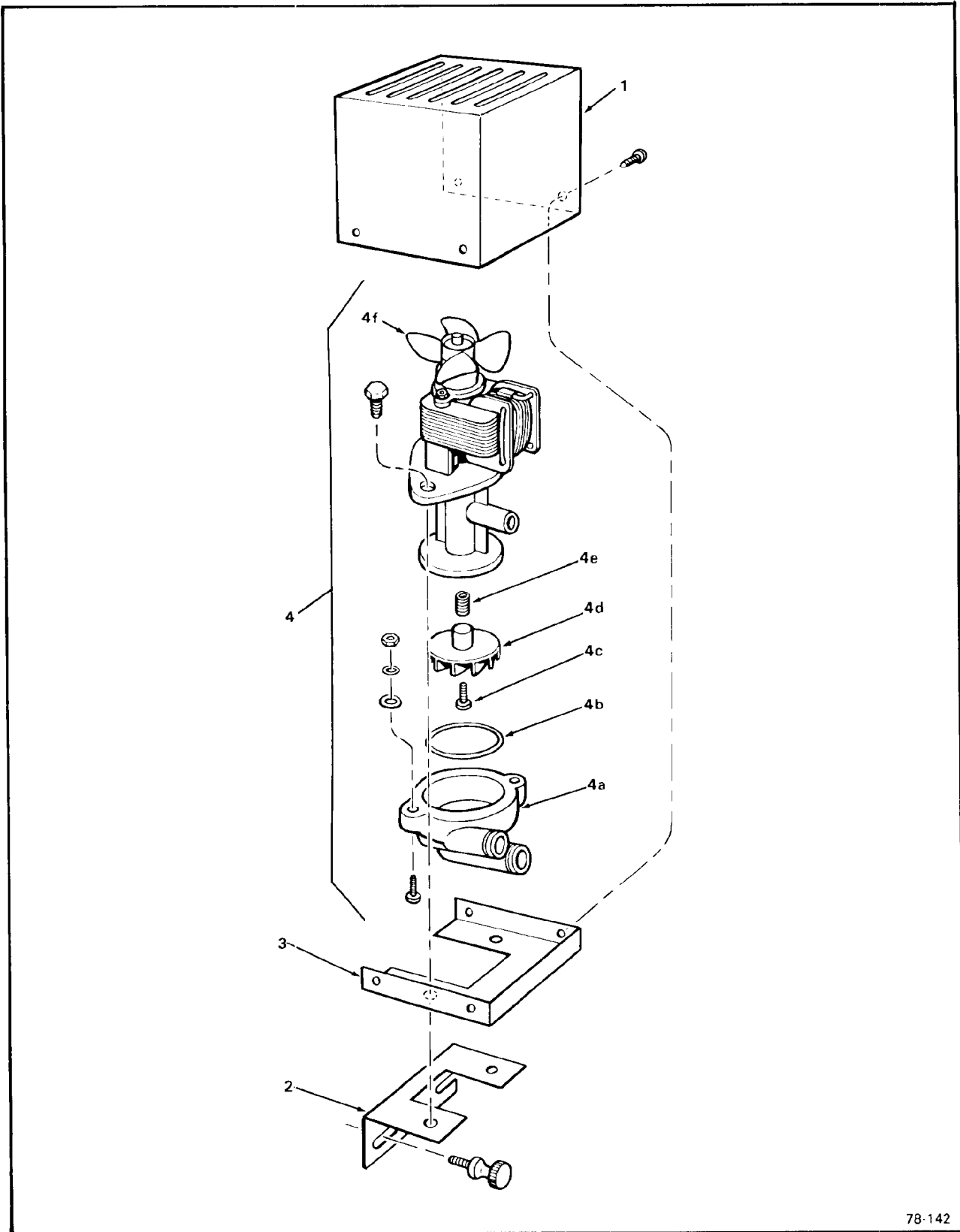
3	Bin Assembly attaching part, Index 3 (sides of Bin)	A25729-001	1
	Screw, No. 8 x 1/2 T/F Tap	03-1404-10	16
	attaching part, (bottom Bin to Insulation Retainer)		
	Screw, No. 8 x 1/4 T/F Tap	03-1404-29	4

4	Bracket, hinge attaching part, Index 4 to 7 & 8	A25720-001	2
	Screw, No. 1/4-20 x 1/2 T/C Hex Hd	03-0571-00	2

5	Hinge, Base - Right	A25719-002	1
6	Hinge, Base - Left	A25719-001	1
7	Hinge, Right Side	A25724-002	2
8	Hinge, Left Side	A25724-001	
	Attaching parts, Index 4, 5, 6 to 7 & 8		
	Pin Hinge	A25722-001	2
	Ring, Retaining	03-1539-08	4
	attaching parts, Index 7 & 8 to 1 & 10		

Figure 8-6. Lower Front Door Bin Assembly (Cont'd).

INDEX NO.	DESCRIPTION	PART NUMBER	REQ'D NUMBER
	Screw, No. 8 x 1/2 T/F Tap * * *	03-1404-10	4 (ref.)
9	Gasket (67-inch) (Order per foot) * * *	13-0595-00	1
10	Door, Lower Front (C.R.S. Painted)	A25718-001	1
	Door, Lower Front (Stainless Steel) * * *	A25718-002	1



78-142

Figure 8-7. Water Pump, Bracket & Enclosure Assembly.

Figure 8-7. Water Pump, Bracket & Enclosure Assembly.

INDEX NO.	DESCRIPTION	PART NUMBER	REQ'D NUMBER
	Water Pump, Bracket & Enclosure Assembly (See Figure 8-1 for next higher Assembly) * * *	No Number	Ref.
1	Enclosure, Pump attaching part, Index 1 Screw, No. 8 x 1/2 T/F Tap * * *	A25795-001 03-1404-10	1 4
2	Bracket, Water Pump	No Number	Ref.
3	Bracket, Pump Box attaching parts, Index 2, 3 & 4 Screw, No. 1/4-20 x 1/2 T/X Hex Hd attaching part, (Pump & Bracket to Cabinet Liner) Screw, Thumb - No. 10-24 x 1/2 Knurled Hd * * *	A25794-001 03-0571-00 03-0727-00	1 2 2
4	Pump, Water attaching part, Index 4 to 2 & 3 Screw, No. 1/4-20 x 1/2 T/C Hex Hd	12-1975-01 03-0571-00	1 Ref.
4a	Housing, Pump Intake	12-1849-61	1
4b	O-Ring	12-1849-60	1
4c	Screw	12-2061-54	1
4d	Impeller	12-2061-53	1
4e	Spring attaching parts, Index 4a thru 4e Washer, No. 6 Plain S/S Lockwasher, No. 6 External Tooth-Phosphor Bronze Screw, No. 6-32 x 7/8 Phil Recess Pan Hd Nut, No. 6-32	12-2061-55 03-1407-01 03-1417-01 03-1403-08 03-1406-01	1 2 2 2 2
4f	Blade, Fan * * *	02-1719-00	1

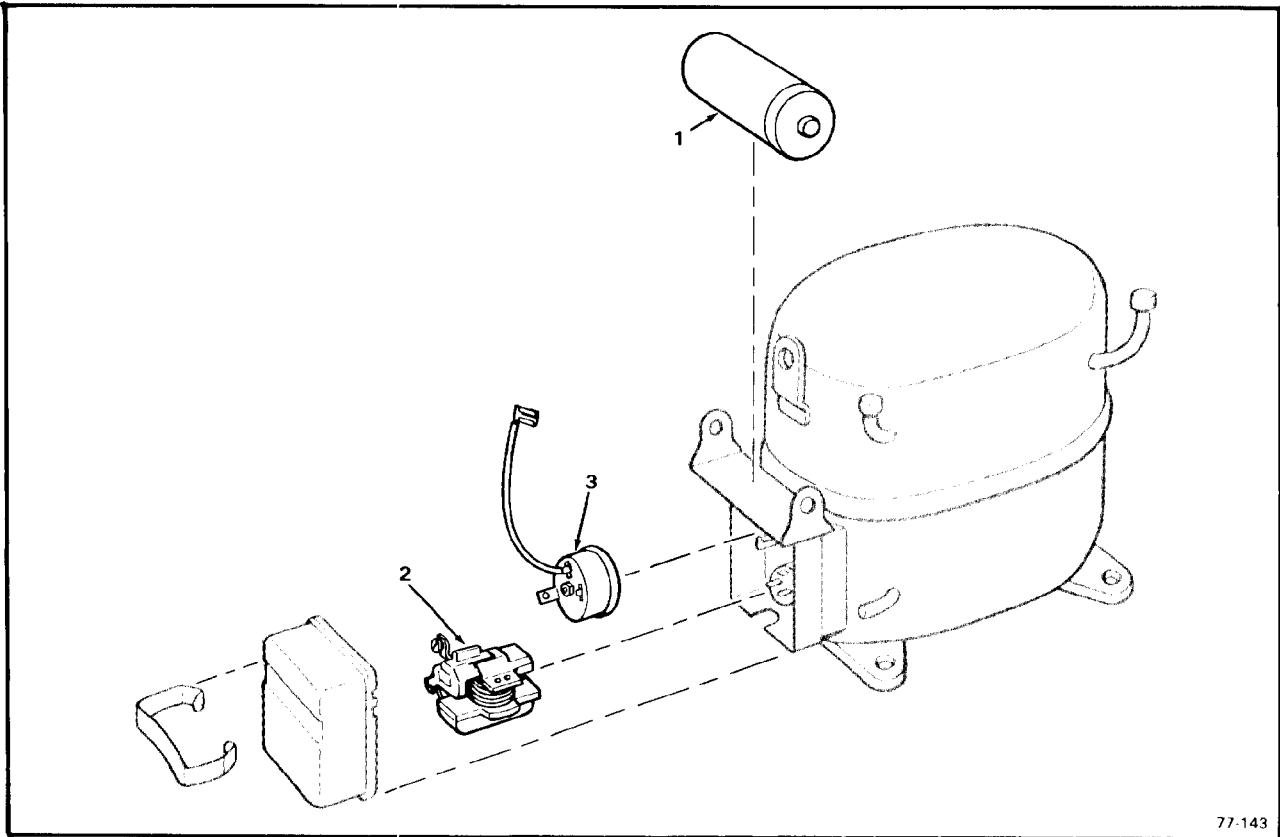


Figure 8-8. Compressor Assembly.

INDEX NO.	DESCRIPTION	PART NUMBER	REQ'D NUMBER
	Compressor Assembly (Copeland)	18-4100-01	Ref.
	(See Figure 8-2/11 and 8-3/11 (Tecumseh)	18-3600-01	Ref.
	for next higher Assenbly)		

1	Capacitor, Start (Copeland)	18-4100-43	1
	Capacitor, Start (Tecumseh)	18-3600-30	1

2	Relay (Copeland)	18-4100-42	1
	Relay (Tecumseh)	18-3600-34	1

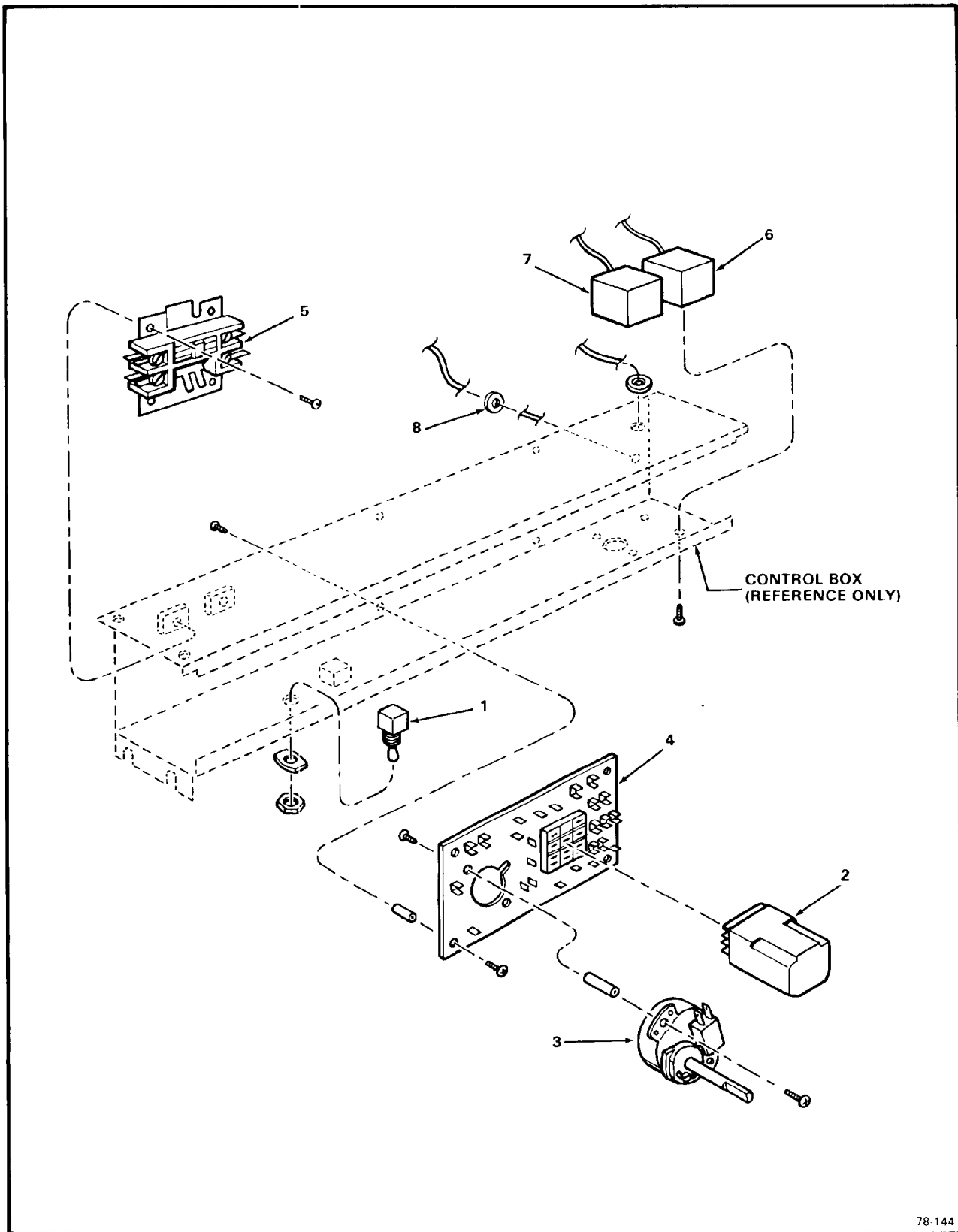
3	Overload (Copeland)	18-4100-41	1
	Protector (Tecumseh)	18-3600-35	1

Figure 8-8. Compressor Assembly. (Cont'd.)

NOTE:

1. Early Model AC-20's used the COPELAND Compressor, except 400 units produced during 1976, when the TECUMSEH Compressor was installed, serial number usage for the 400 units include:

6Q302269 through 302514 (256 units)
6Q306164 through 306308 (144 units)
400 units total
2. Complete Motor Compressors are interchangeable. However, for replacement of defective component parts, replace with like part. **DO NOT MIX TECUMSEH with COPELAND parts.**
3. Current production of the Model AC-20, beginning with Serial No. 406754-09R uses the TECUMSEH Compressor.

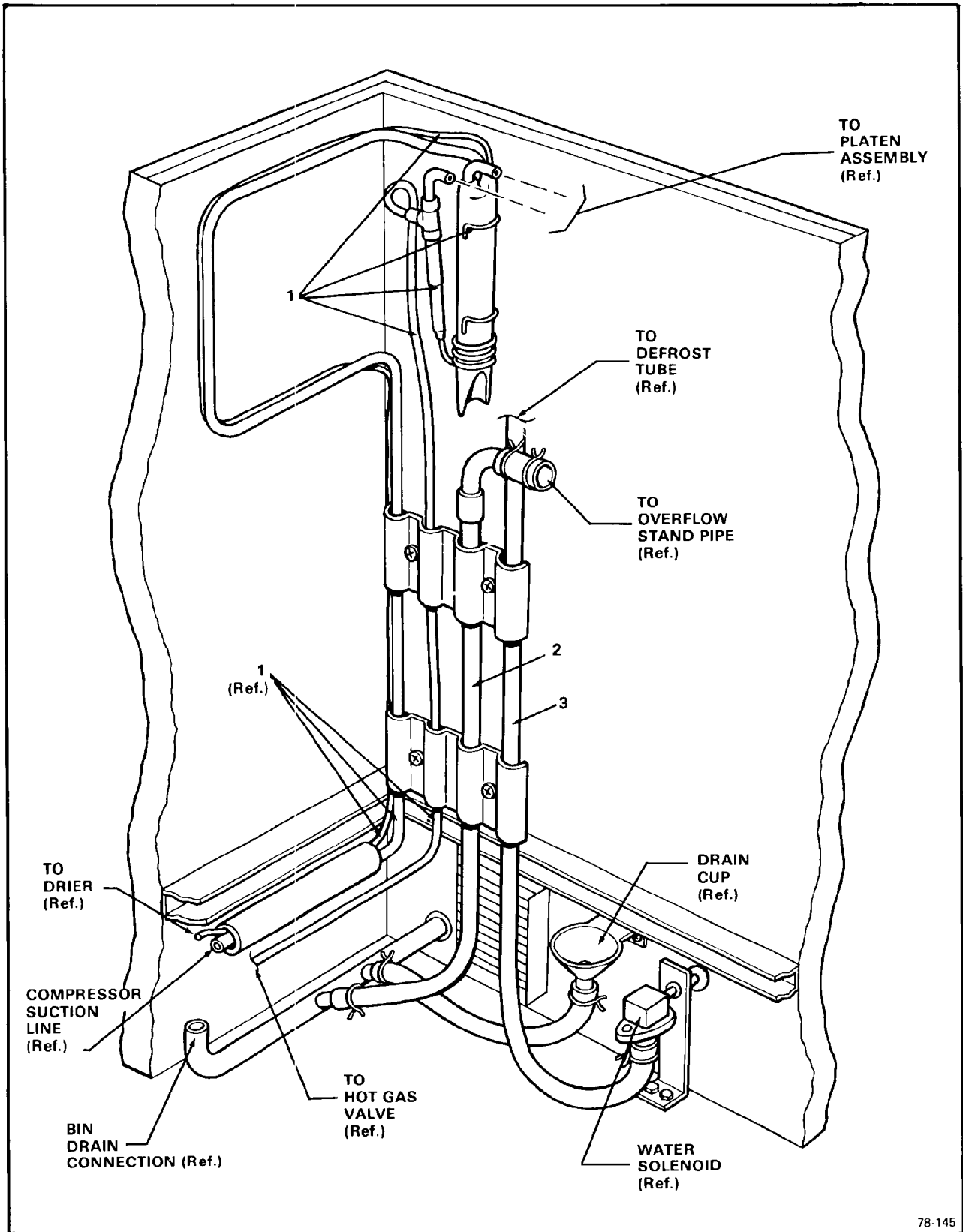


78-144

Figure 8-9. Control Box Assembly.

Figure 8-9. Control Box Assembly.

INDEX NO.	DESCRIPTION	PART NUMBER	REQ'D NUMBER
	Control Box Assembly (See Figure 8-1 for next higher Assembly) * * *	No Number	Ref.
1	Switch, Toggle * * *	12-0426-01	1
2	Relay 3PDT Covered (Air-Cooled Model) Relay 3PDT Covered (Water-Cooled Model) * * *	12-1879-03 12-1879-02	1 1
3	Timer & Switch Assembly attaching parts, Index 3 Stand - Off - (7/8 lg.) Screw, No. 6-32 x 1/4 Phil Recess Pan Hd * * *	12-1980-01 02-2242-01 03-1403-02	1 2 4
4	Board Assembly, Circuit attaching parts, Index 4 Stand - Off - (5/8 lg.) Screw, No. 6-32 x 1/4 Phil Recess Pan Hd * * *	12-1912-01 02-2242-02 03-1403-02	1 5 5
5	Contactor attaching parts, Index 5 Screw, No. 8-32 x 3/16 Phil Recess Pan Hd * * *	12-2041-01 03-1403-14	1 2
6	Control, Temperature (Bin)	11-0353-02	1
7	Control, Cube Size Screw, No. 8-32 x 1/4 Phil Recess Pan Hd * * *	11-0345-02 03-1403-15	1 4
8	Grommet * * *	13-0557-00	2

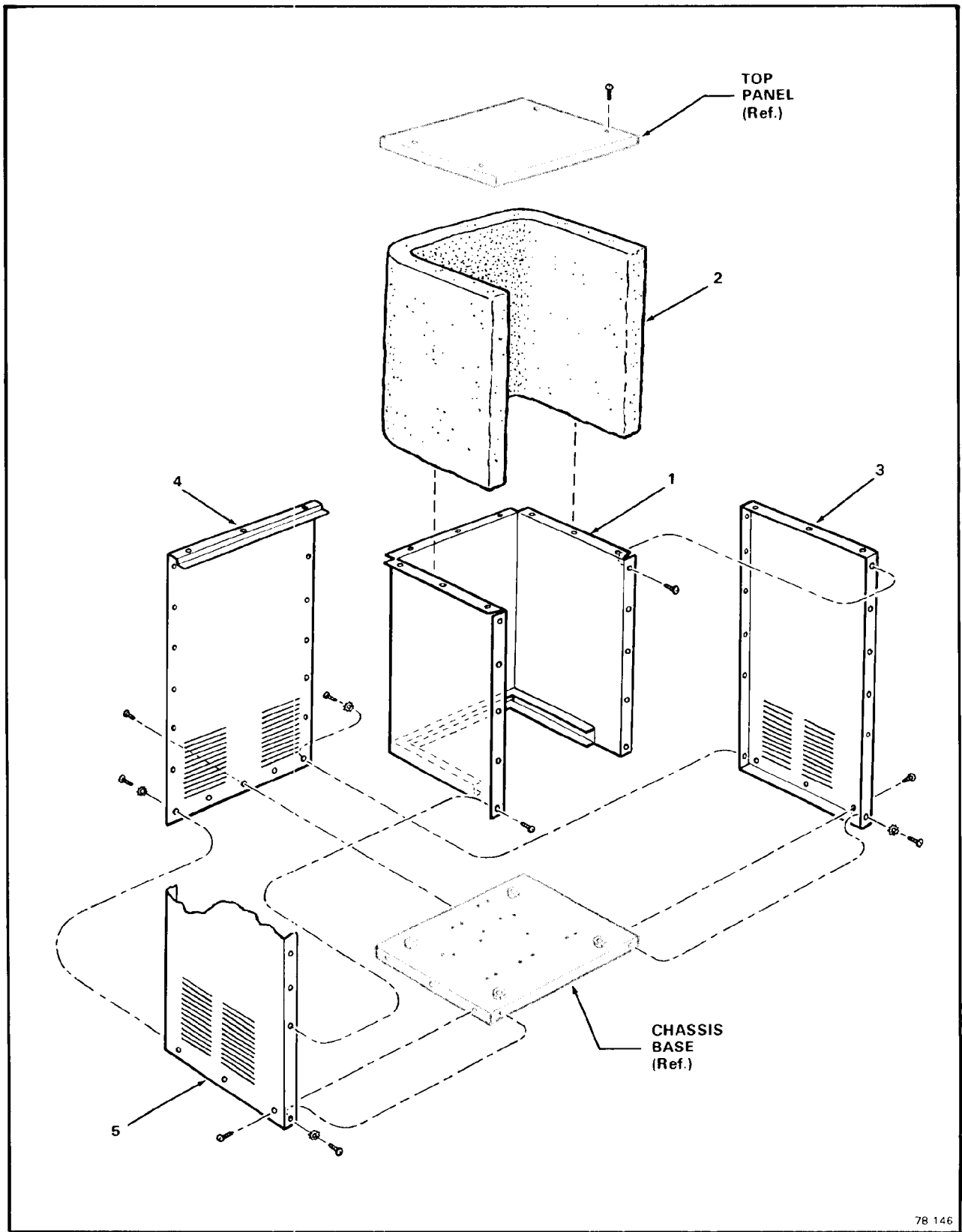


78-145

Figure 8-10. Heat Exchanger, Tubing & Fittings.

Figure 8-10. Heat Exchanger, Tubing & Fittings.

INDEX NO.	DESCRIPTION	PART NUMBER	REQ'D NUMBER
	Heat Exchanger, Tubing and Fittings (See Figure 8-1 for next higher Assembly) * * *	No Number	Ref.
1	Exchanger Assembly, Heat * * *	A25755-001	1
2	Tube, Tygon 1/2 inch I.D. x 23 (Order per foot)	13-0674-04	1
3	Tube, Tygon 1/2 inch I.D. x 40 (Order per foot)	13-0674-04	1
	attaching parts		
	Clamp, Hose 11/16 inch I.D. Index 2 & 3	02-0535-00	2
	Clamp, Hose 1 inch I.D. Index 2	02-1358-01	2
	* * *		



78 146

Figure 8-11. Panels and Cabinet Liner Assembly.

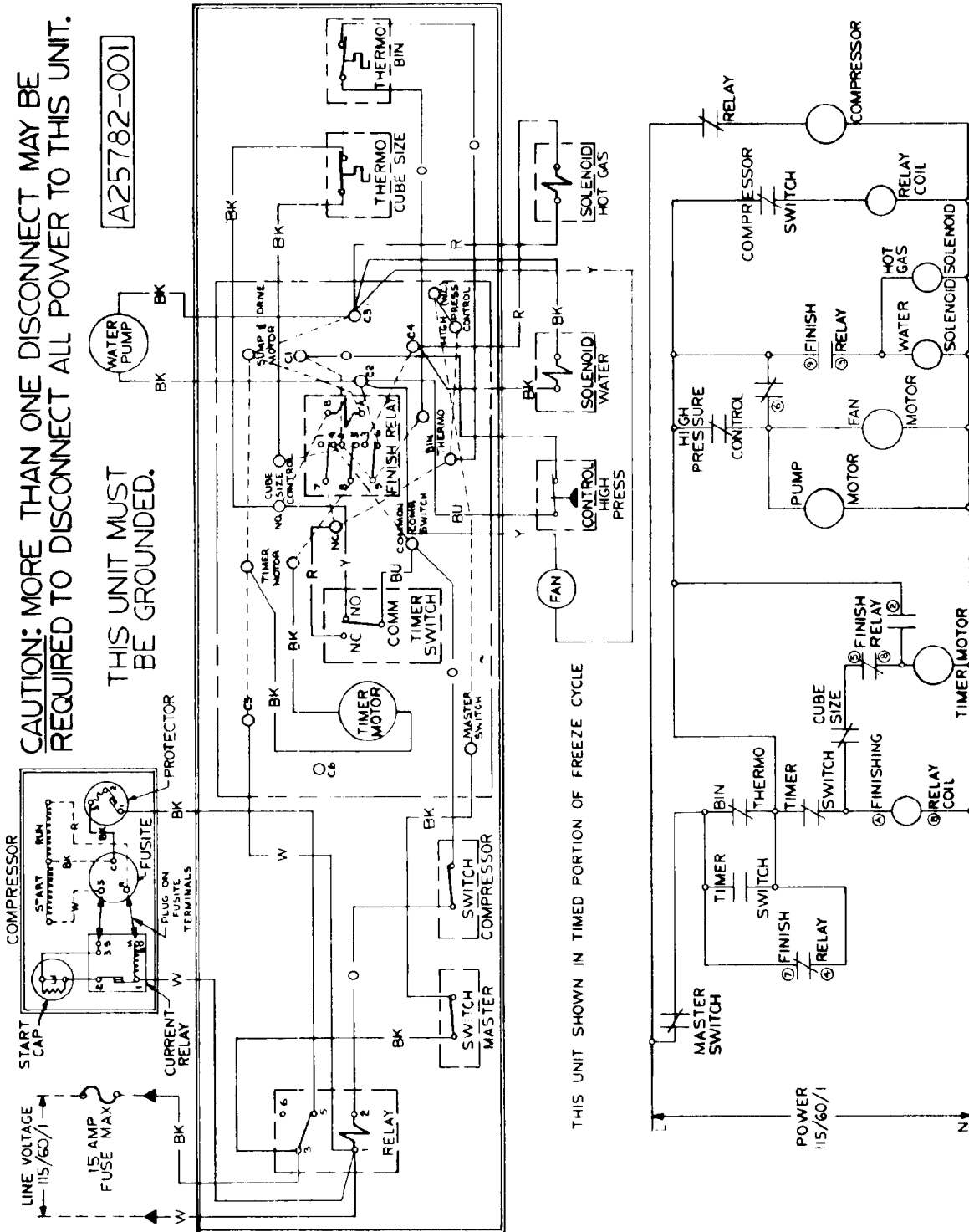
Figure 8-11. Panels and Cabinet Liner Assembly.

INDEX NO.	DESCRIPTION	PART NUMBER	REQ'D NUMBER
	Panels and Cabinet Liner Assembly (See Figure 8-1 for next higher Assembly) * * *	No Number	Ref.
1	Liner Assembly, Cabinet attaching parts, Index 1 Screw, No. 8 x 1/2 T/F Tap * * *	A25735-001 03-1404-10	1 6
2	Insulation, Fiberglass 1-1/4 Thk. x 24 Wide x 56 Lg. * * *	No Number	1
3	Panel, Right Side (C.R.S. Painted) Panel, Right Side (Stainless Steel) attaching parts, Index 3 Lockwasher, No. 8 External Tooth-Carbon Steel Zinc Plated Screw, No. 8 x 1/2 T/F Tap * * *	A25703-001 A25703-002 03-1417-03 03-1404-10	1 1 2 4
4	Panel, Back (C.R.S. Painted) Panel, Back (Stainless Steel) attaching parts, Index 4 Lockwasher, No. 8 External Tooth-Carbon Steel Zinc Plated Screw, No. 8 x 1/2 T/F Tap * * *	A25707-001 A25707-002 03-1417-03 03-1404-10	1 1 Ref. 17
5	Panel, Left Side (C.R.S. Painted) Panel, Left Side (Stainless Steel) attaching parts, Index 5 Lockwasher, No. 8 External Tooth-Carbon Steel Zinc Plated Screw, No. 8 x 1/2 T/F Tap * * *	A25702-001 A25702-002 03-1417-03 03-1404-10	1 1 2 4

CAUTION: MORE THAN ONE DISCONNECT MAY BE REQUIRED TO DISCONNECT ALL POWER TO THIS UNIT.

A25782-001

THIS UNIT MUST BE GROUNDED.



THIS UNIT SHOWN IN TIMED PORTION OF FREEZE CYCLE

NOTE: This Wiring Diagram for use with Model AC-20 Automatic Cubers with Serial Numbers prior to S/N 406754-09R.

Figure 7-1. Wiring Diagram AC-20A - Air-Cooled.

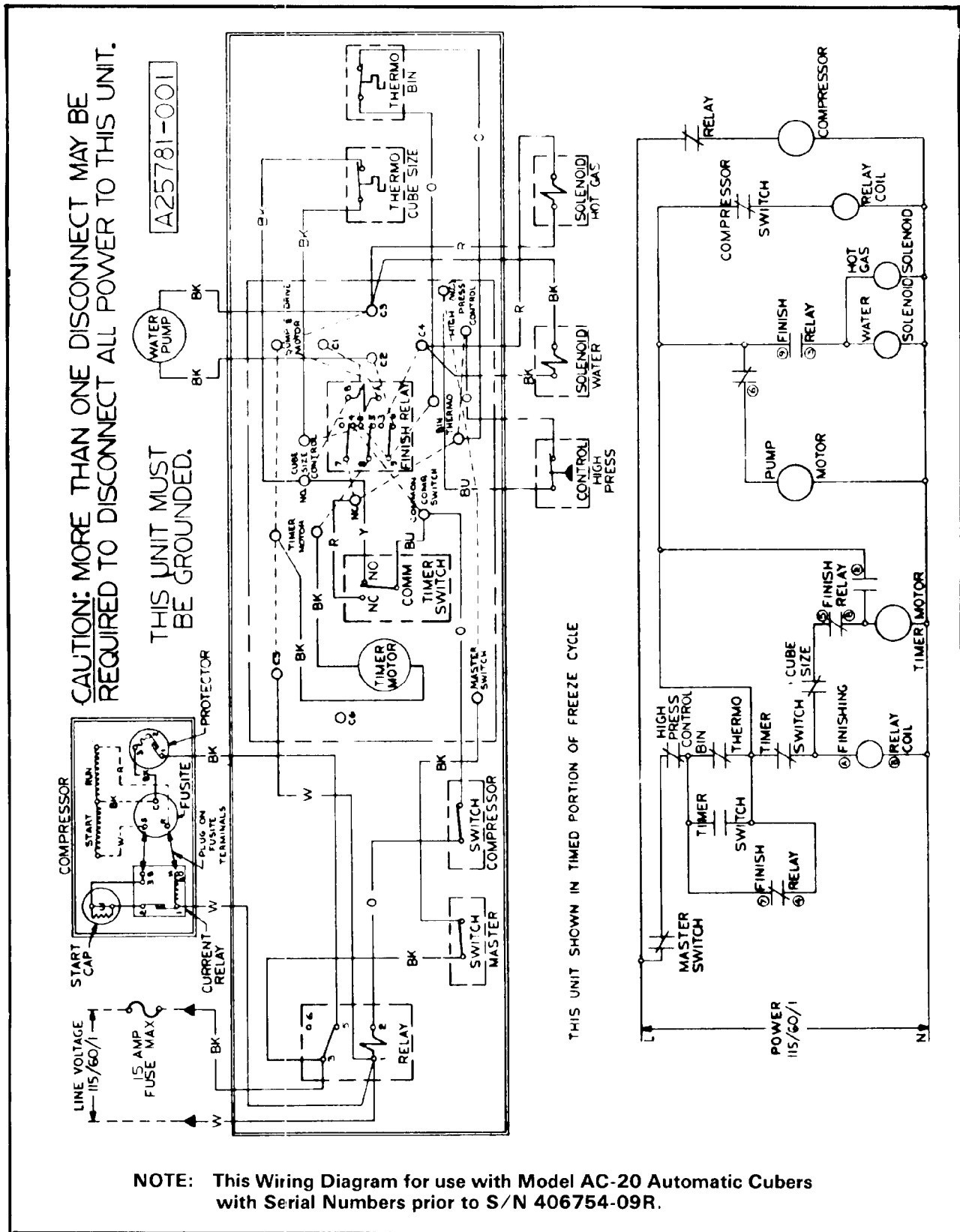
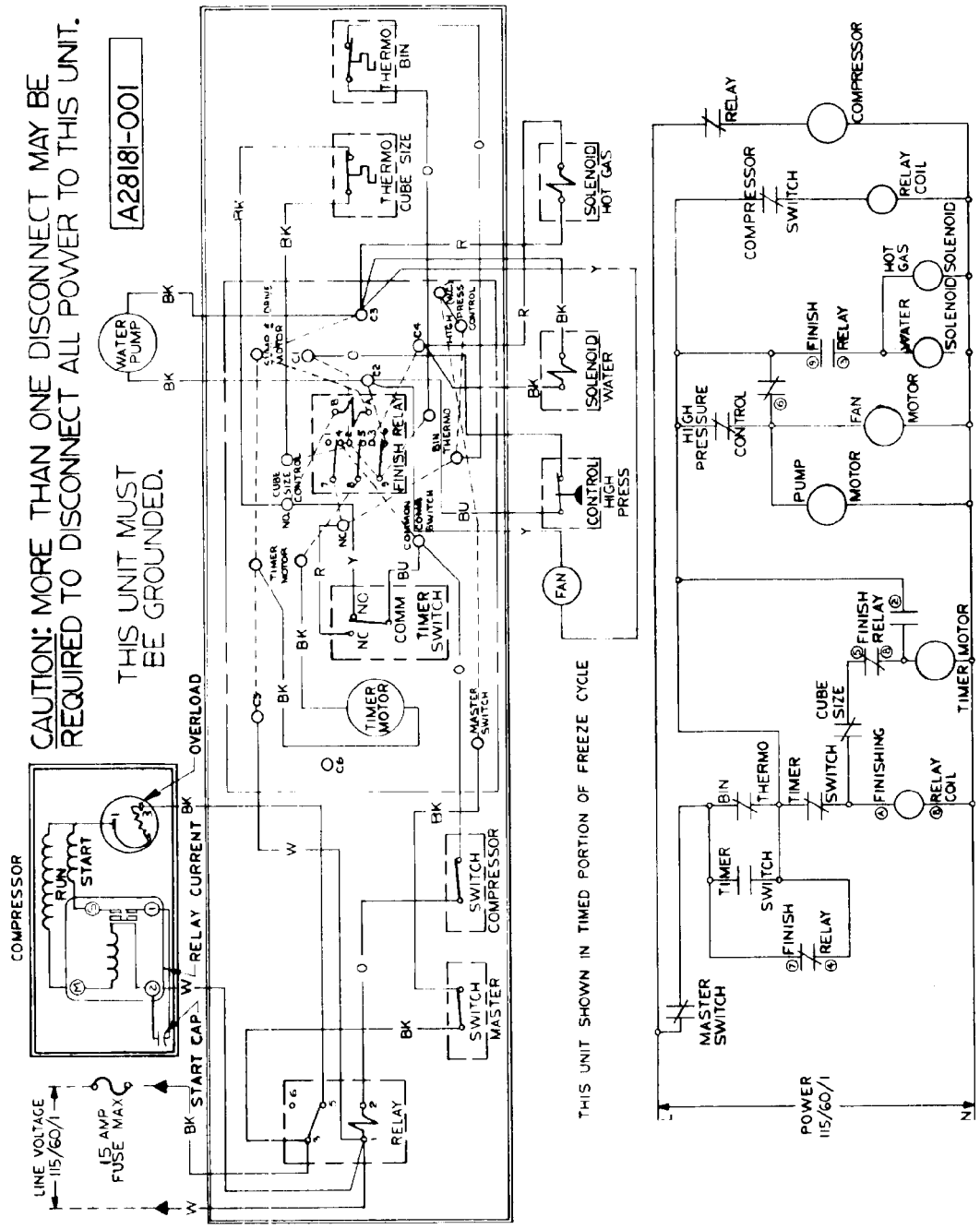


Figure 7-2. Wiring Diagram AC-20A - Water-Cooled.

CAUTION: MORE THAN ONE DISCONNECT MAY BE REQUIRED TO DISCONNECT ALL POWER TO THIS UNIT.
THIS UNIT MUST BE GROUNDED.

A28181-001



THIS UNIT SHOWN IN TIMED PORTION OF FREEZE CYCLE

NOTE: This Wiring Diagram for use with Model AC-20 Automatic Cubers with Serial Numbers 406754-09R and up.

Figure 7-3. Wiring Diagram AC-20B - Air-Cooled.

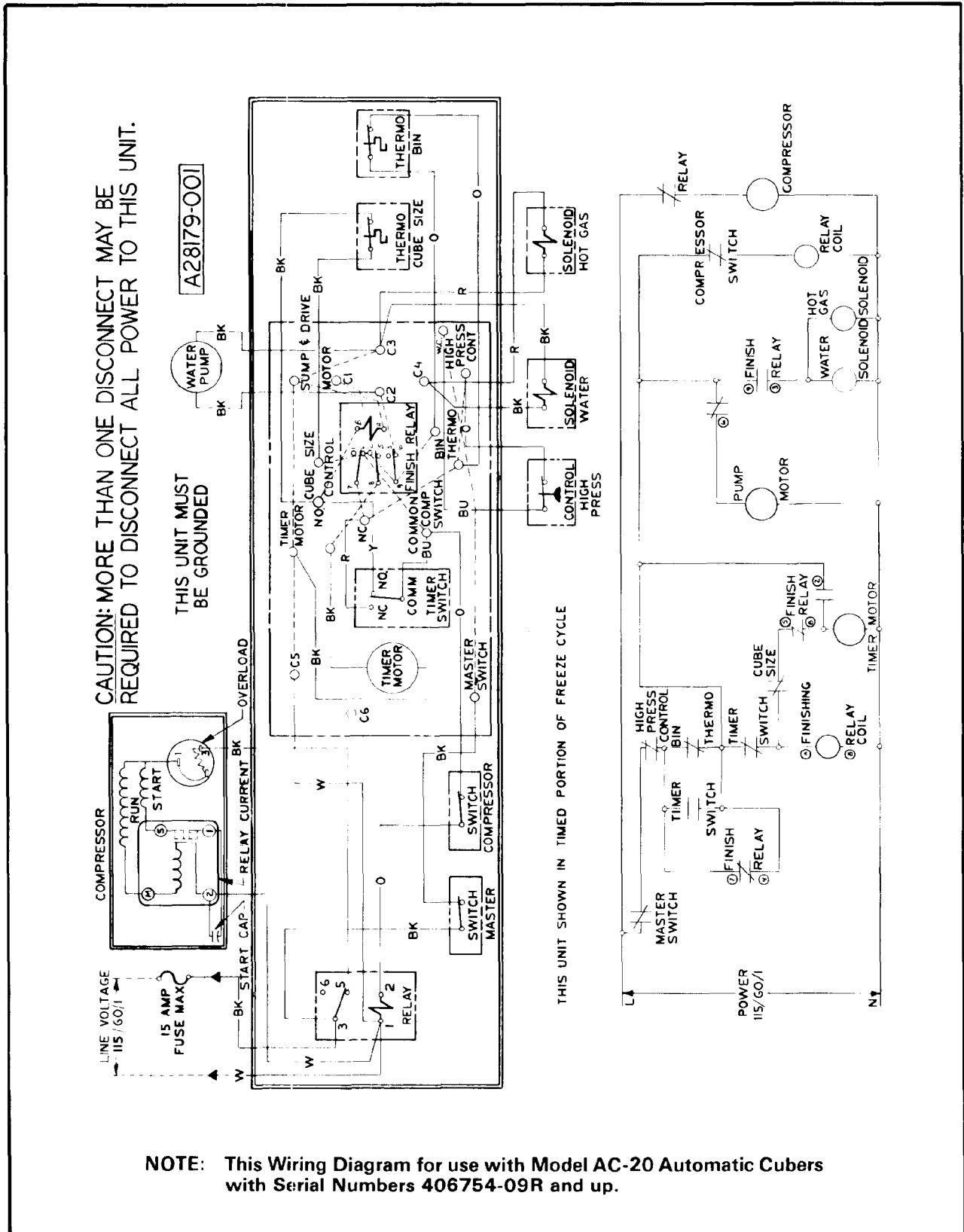


Figure 7-4. Wiring Diagram AC-20B - Water-Cooled.