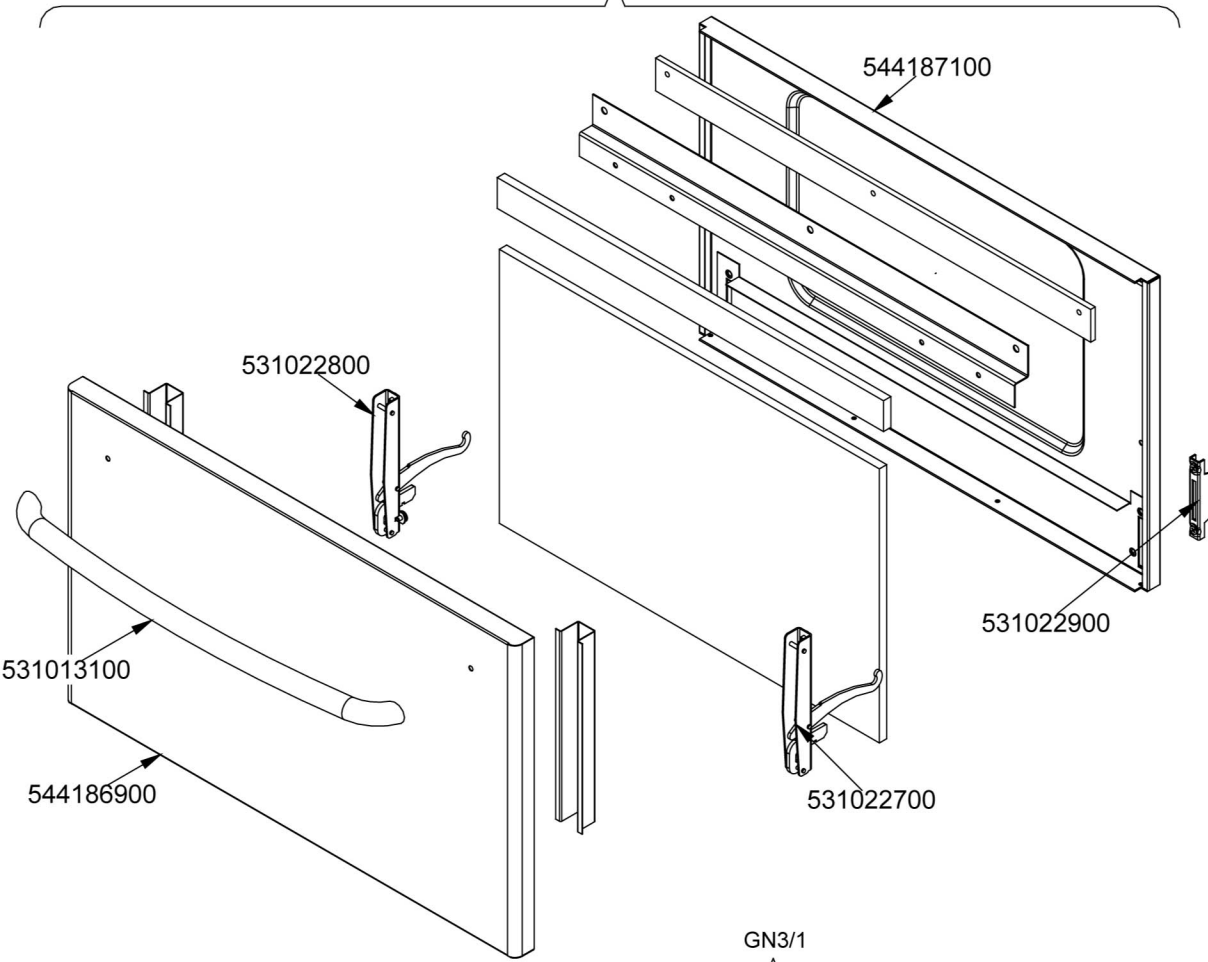
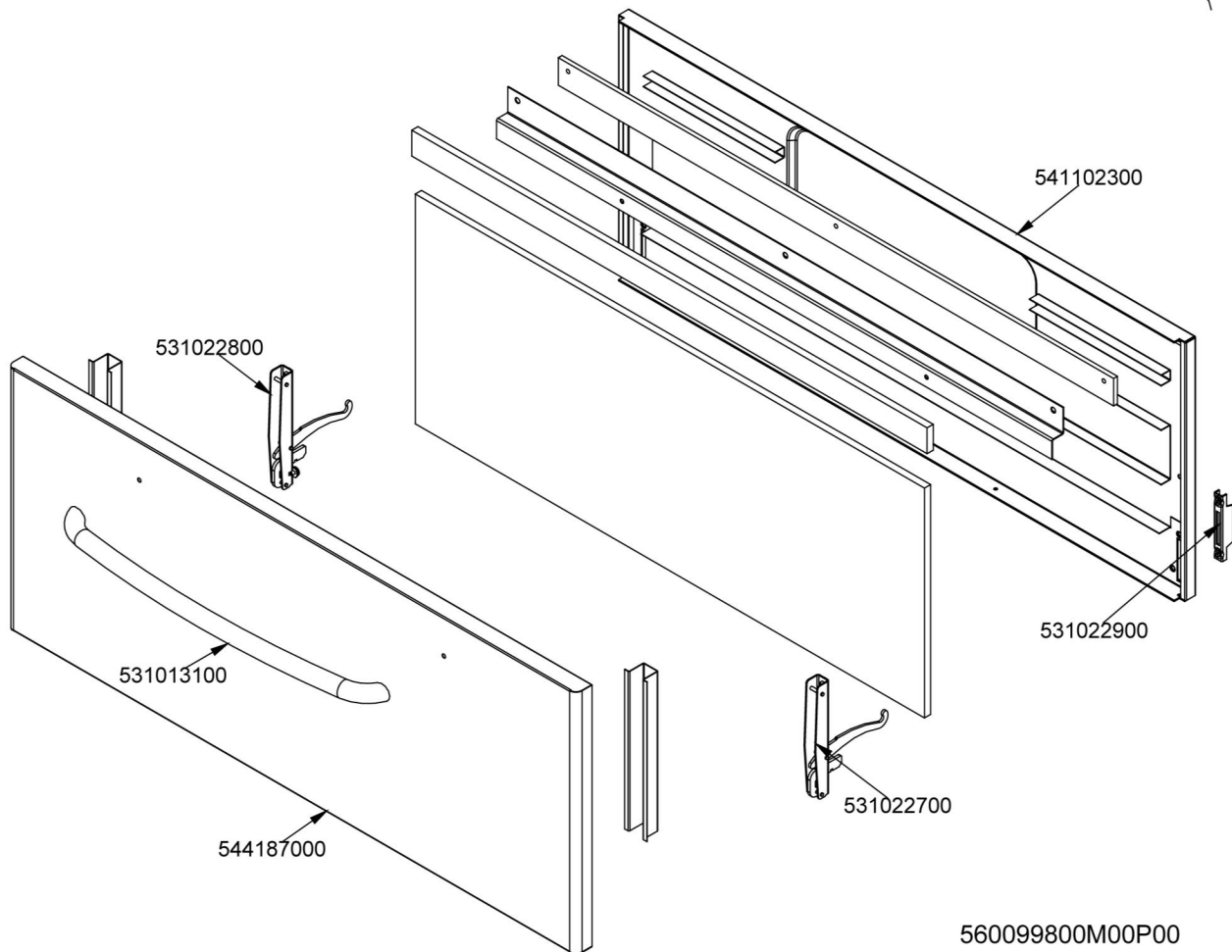


GN2/1

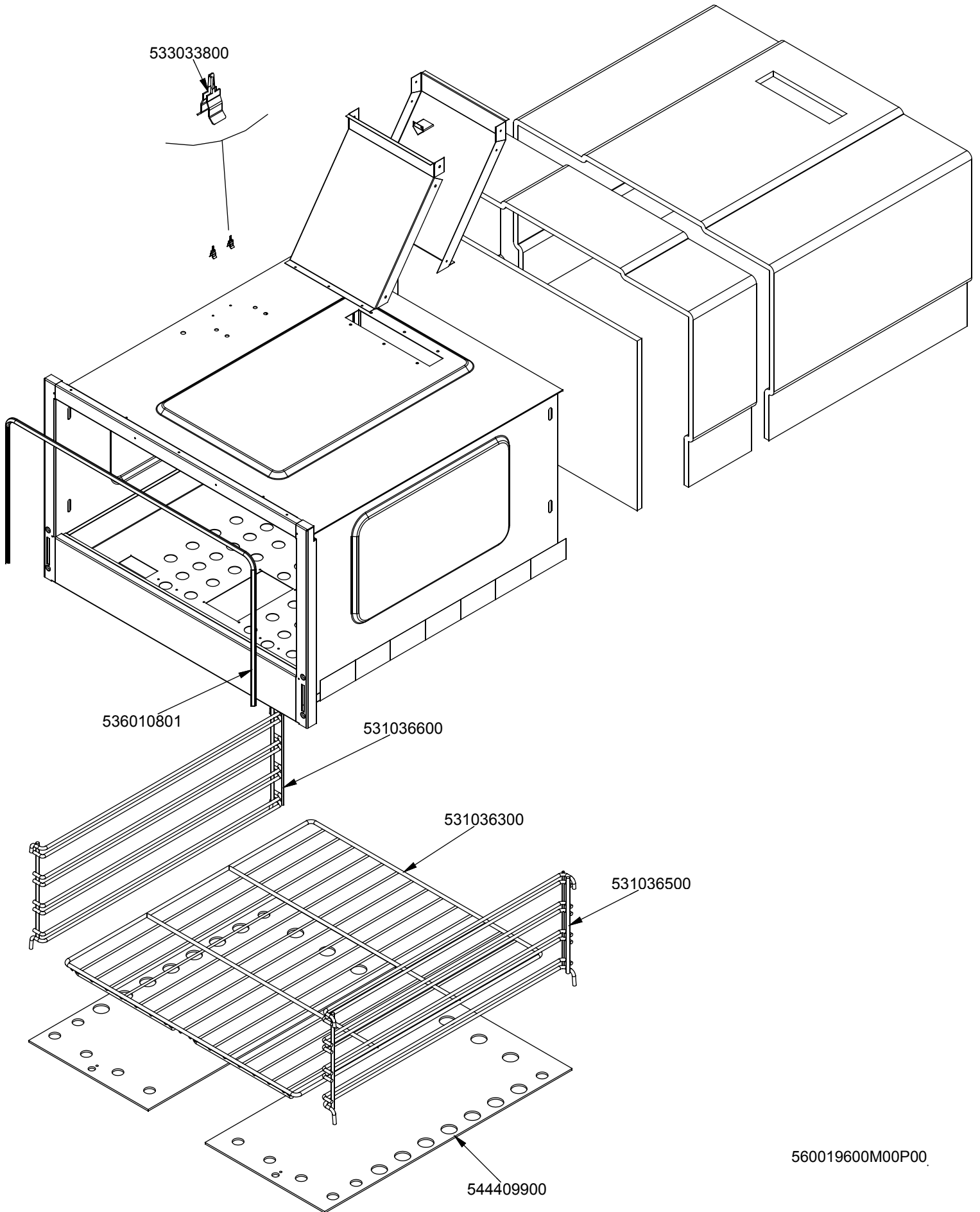


GN3/1

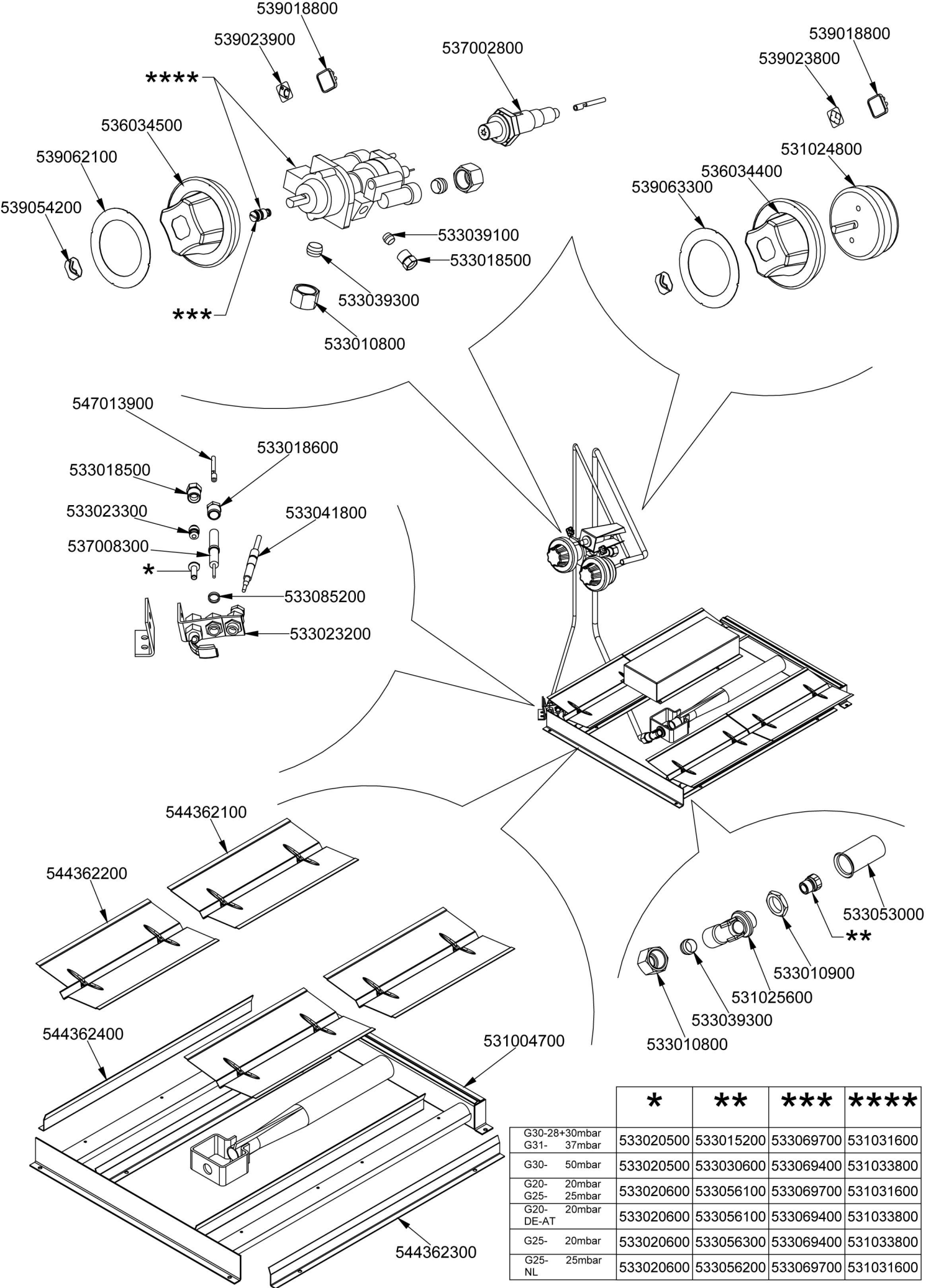


560099800M00P00

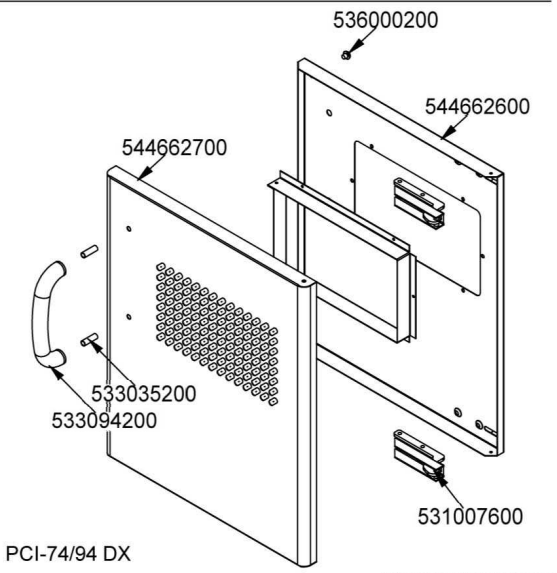
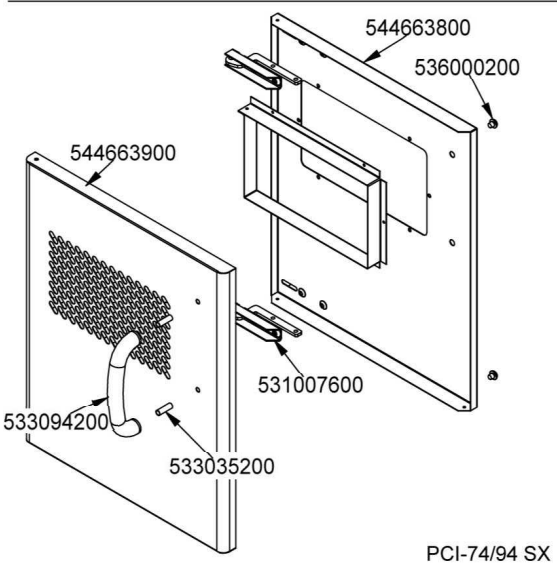
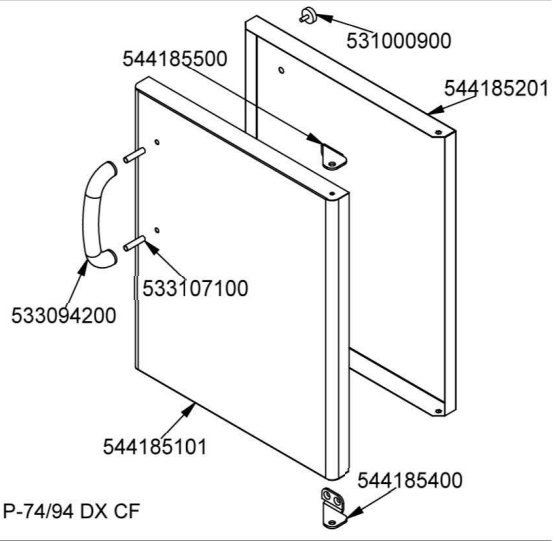
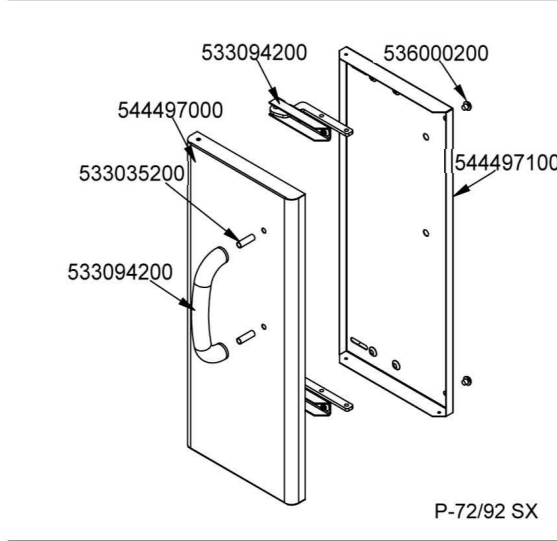
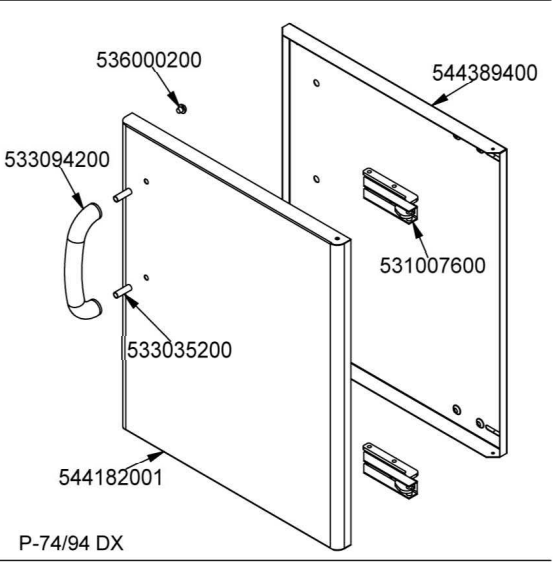
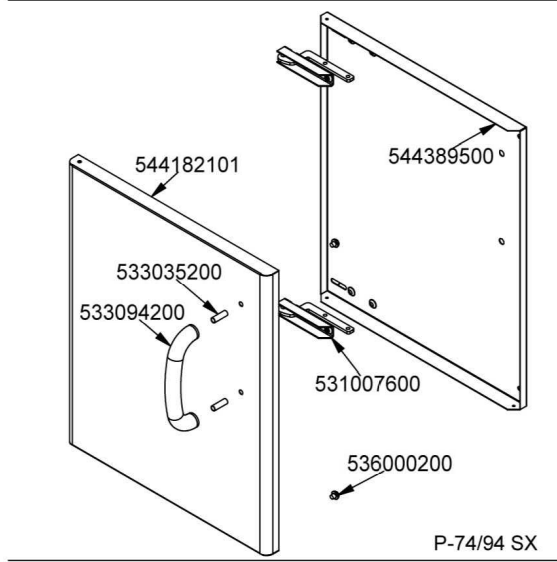
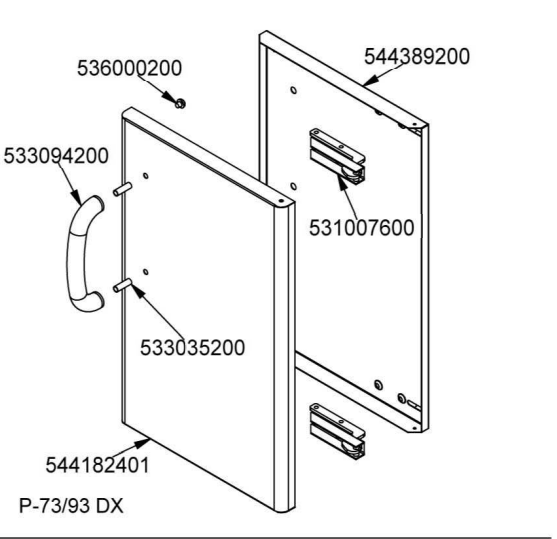
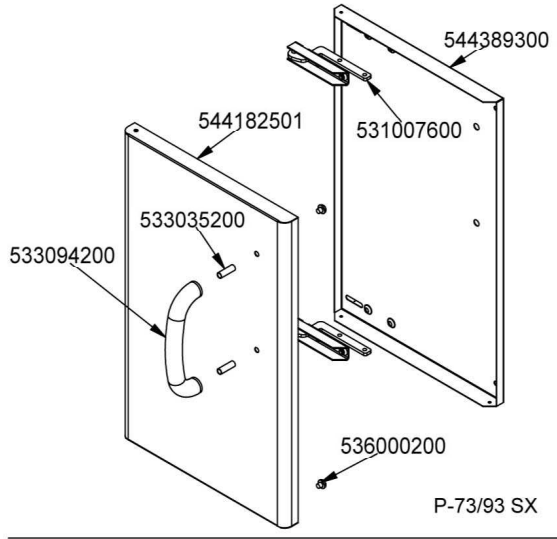
533033800

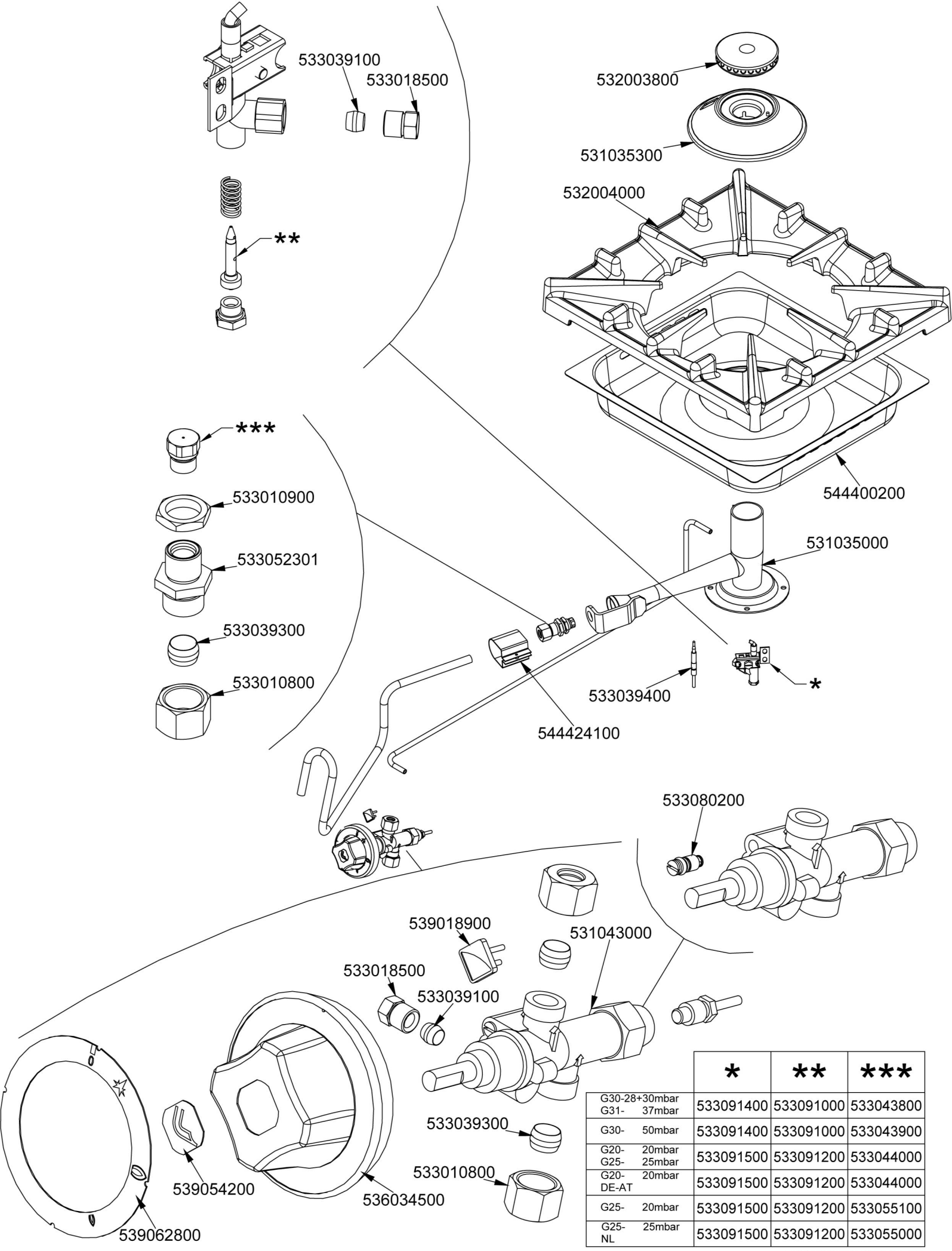


560019600M00P00

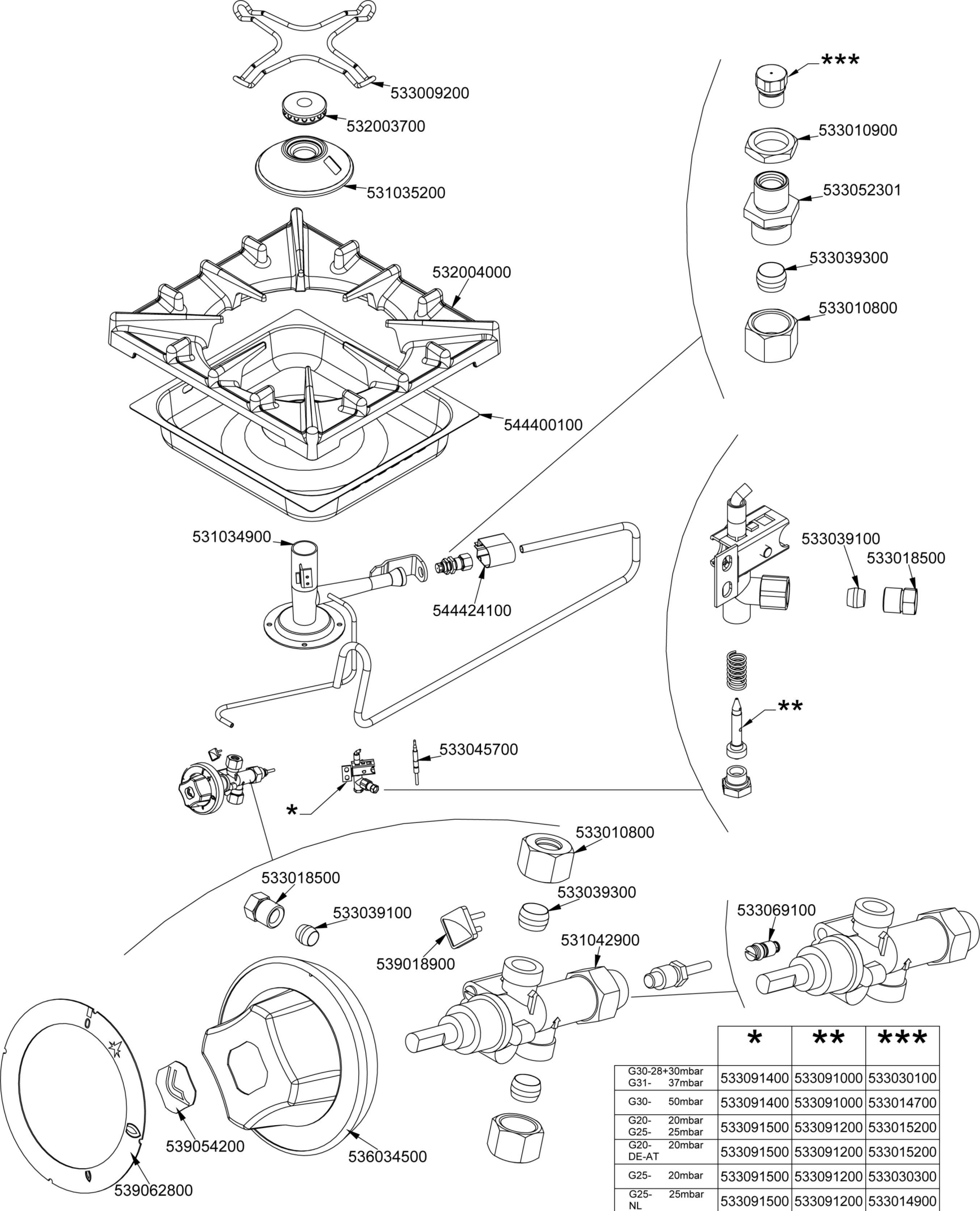


	*	**	***	****
G30-28+30mbar	533020500	533015200	533069700	531031600
G31- 37mbar	533020500	533030600	533069400	531033800
G30- 50mbar	533020600	533056100	533069700	531031600
G20- 20mbar	533020600	533056100	533069400	531033800
G25- 25mbar	533020600	533056300	533069400	531033800
G20- 20mbar	533020600	533056200	533069700	531031600
DE-AT				
G25- 20mbar				
G25- 25mbar				
NL				

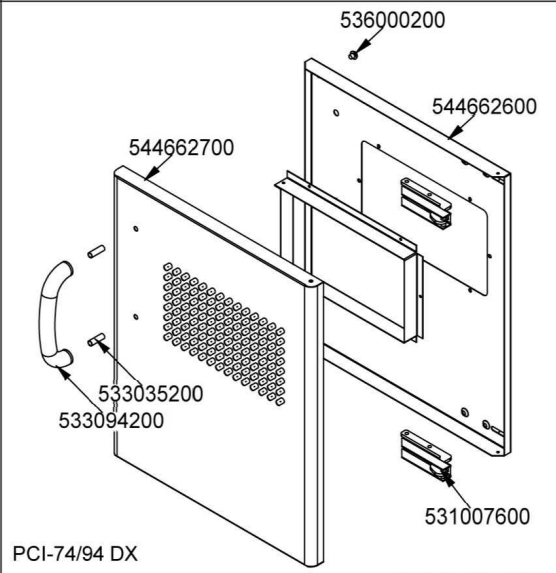
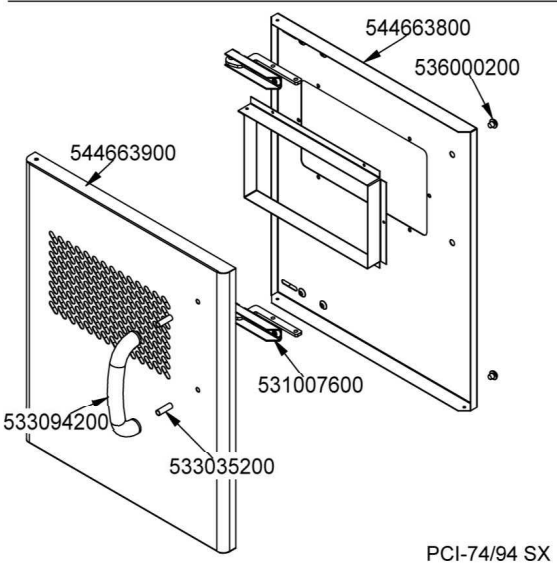
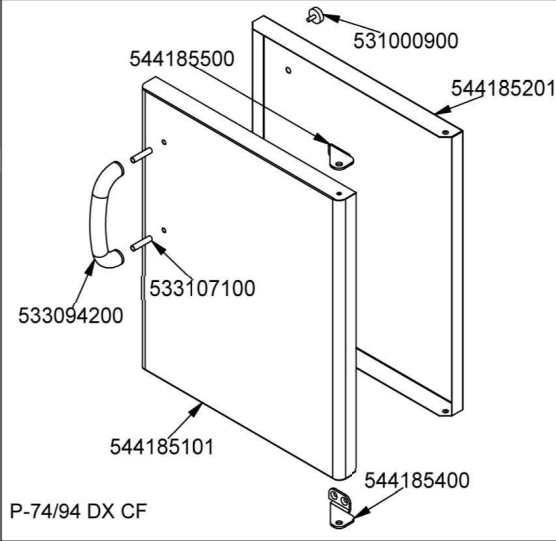
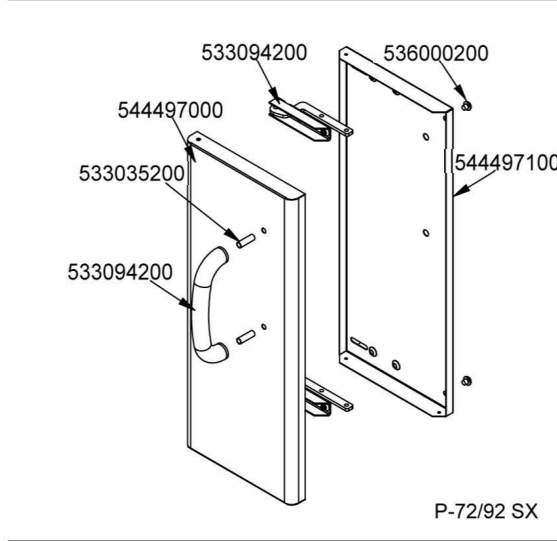
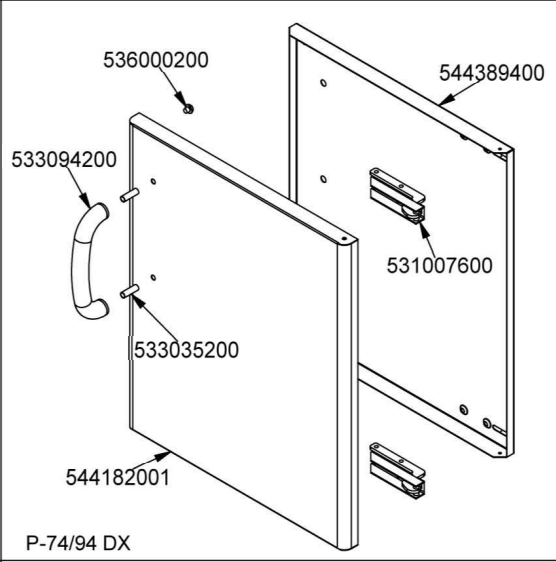
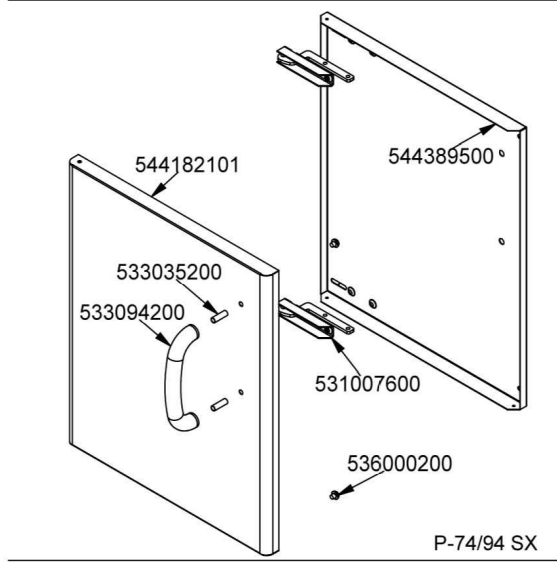
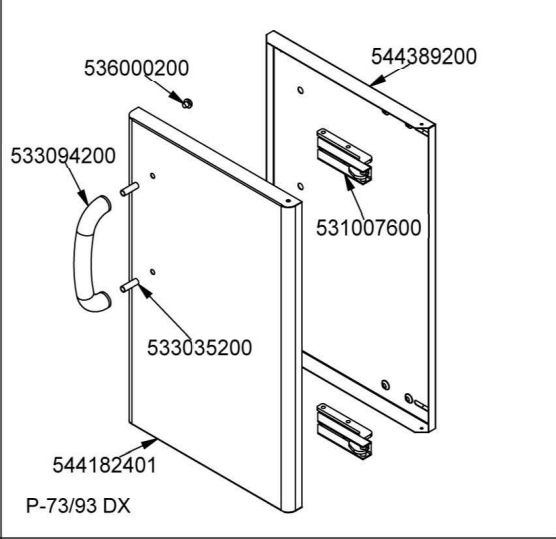
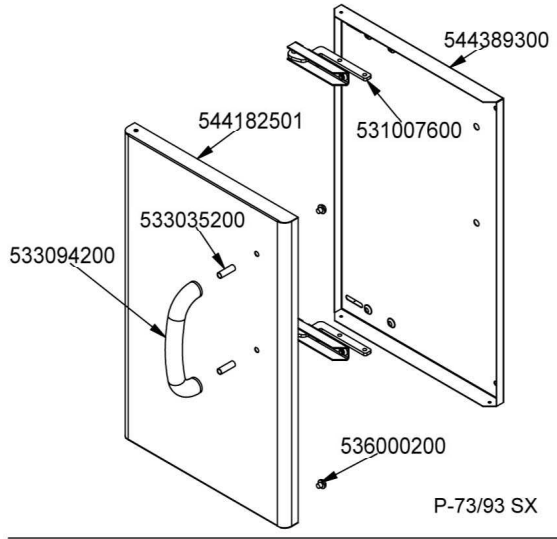




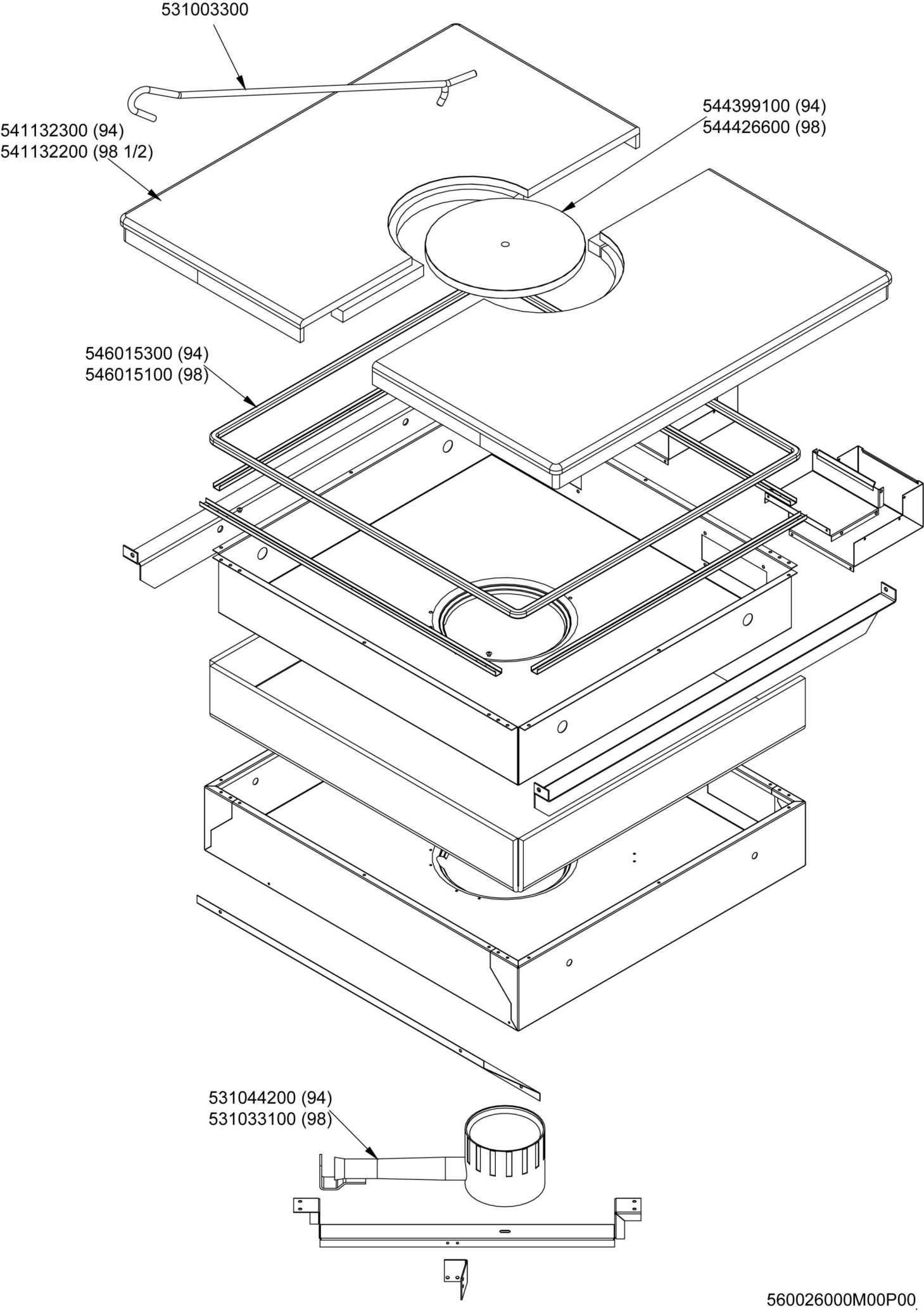
	*	**	***
G30-28+30mbar	533091400	533091000	533043800
G31- 37mbar	533091400	533091000	533043900
G30- 50mbar	533091500	533091200	533044000
G20- 20mbar	533091500	533091200	533044000
G25- 25mbar	533091500	533091200	533055100
G20- 20mbar	533091500	533091200	533055000
G25- 25mbar	533091500	533091200	533055000



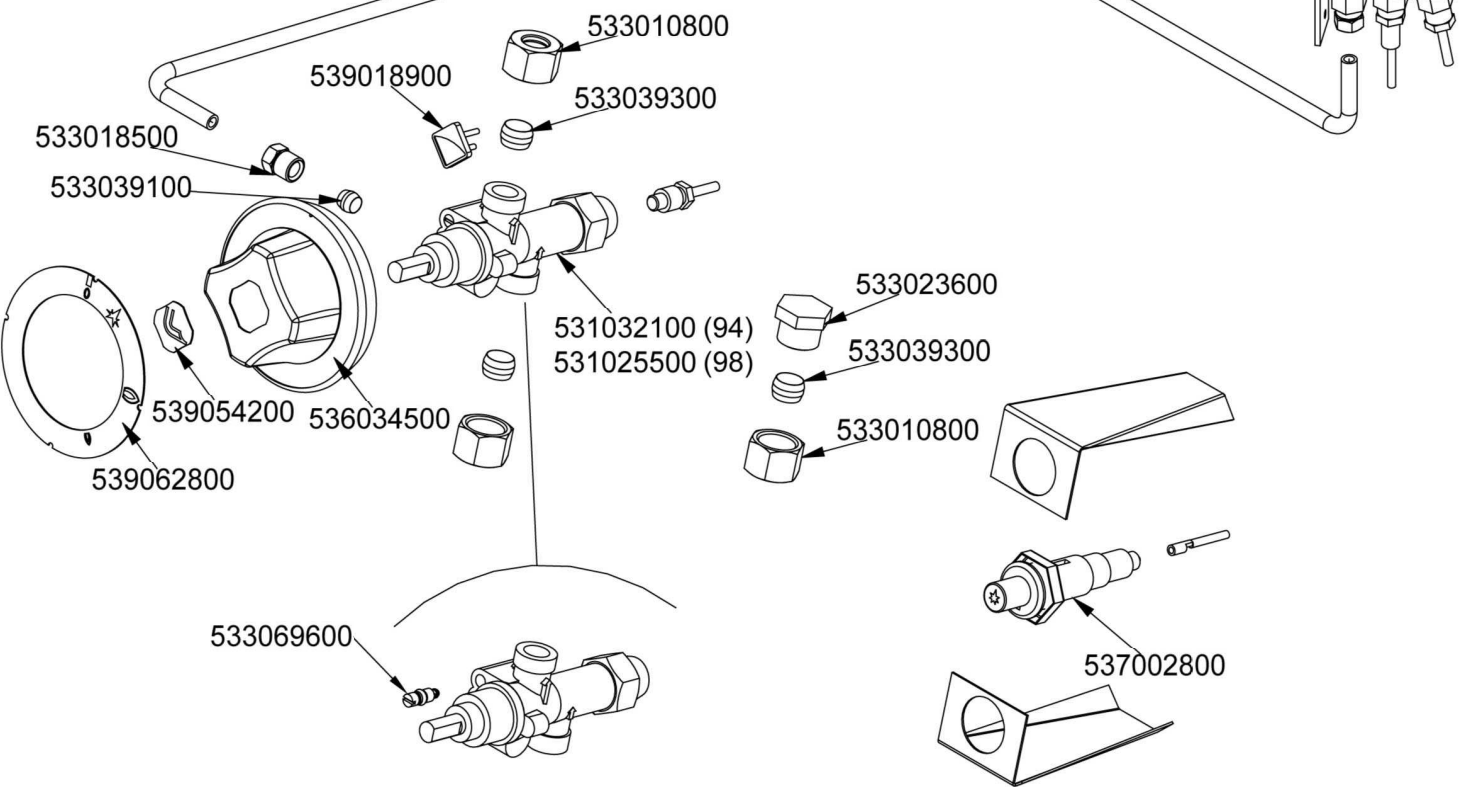
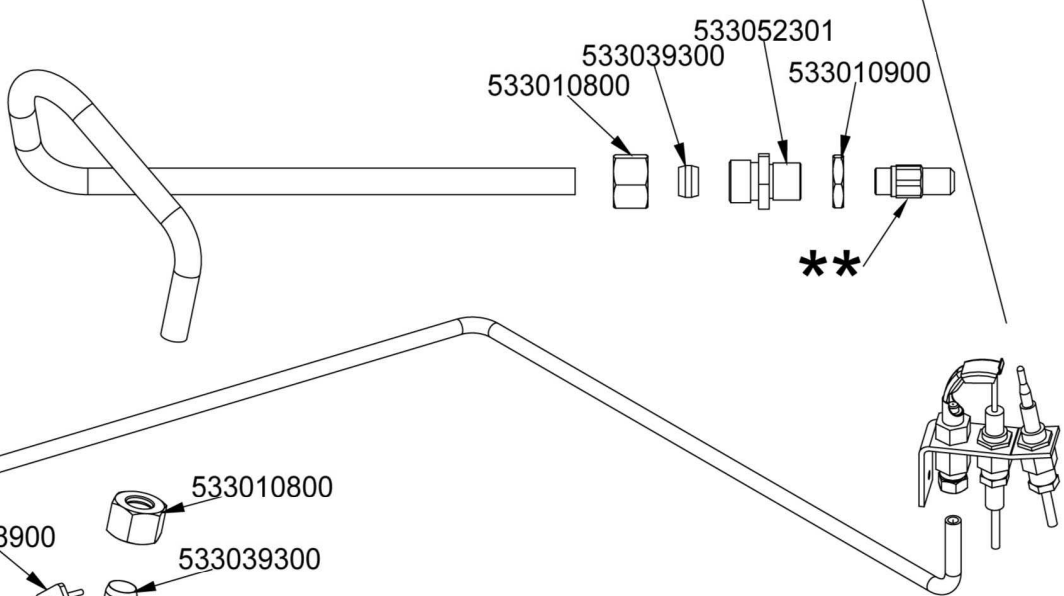
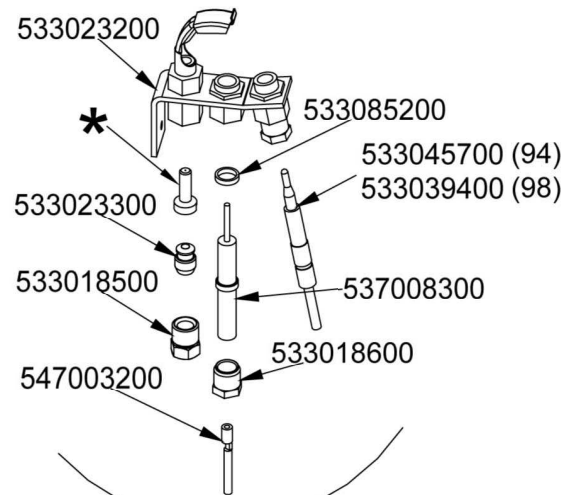
	*	**	***
G30-28+30mbar	533091400	533091000	533030100
G31- 37mbar	533091400	533091000	533014700
G30- 50mbar	533091400	533091000	533014700
G20- 20mbar	533091500	533091200	533015200
G25- 25mbar	533091500	533091200	533015200
G20- 20mbar	533091500	533091200	533015200
G25- 20mbar	533091500	533091200	533030300
G25- 25mbar	533091500	533091200	533014900
G25- NL	533091500	533091200	533014900







	*	**	**
		TP-94	TP-98
G30-28+30mbar G31- 37mbar	533020500	533057700	533019600
G30- 50mbar	533020500	533057600	533046200
G20- 20mbar G25- 25mbar	533020600	533047400	533057500
G20- DE-AT	533020600	533047400	533057500
G25- 20mbar	533020600	533047300	533032801
G25- NL	533020600	533047500	533032001
G20- 25mbar	533020600	533046400	



560025900M01P00

Page	Pos	Code	Description
001		532004100	FLUE GRID L=370 90LINE (RAF
001		541129800	UPPER PLATE TP4-912G
001		544407200	RIGHT SIDE PANEL RANGE 70 LINE
001		541147500	CONTROL PANEL TPF4-912G/GV
001		544407100	RIGHT SIDE PANEL RANGE 90 LINE
001		536005200	INOX LEG 2" 120-180 M10
002		544187100	OVEN INNER DOOR GN 2/1 70/90LINE
002		531022800	LEFT OVEN DOOR HINGE S.70
002		531013100	OVEN DOOR HANDLE OF 70/90-LINE
002		544186900	OVEN DOOR GN 2/1 70/90LINES
002		531022700	RIGHT OVEN DOOR HINGE 70LINE
002		531022900	HINGE DOOR WHEEL HOLDER S.70
002		541102300	GAS OVEN INNER DOOR GN 3/1 S.70
002		544187000	OVEN DOOR GN 3/1 S.70
003		533033800	LOCK SPRING FOR BULB §6
003		536010801	OVEN GASKET GN 2/1 (1308
003		531036600	LHD RACK HOLDER FOR OVEN S.90
003		531036300	OVEN RACK GN 2/1 FOR 90 LINE
003		531036500	RHD RACK HOLDER FOR OVEN S.90
003		544409900	90 GAS OVEN BOTTOM GN2/1
004		539018800	BLANK INDEX FOR KNOB
004		539023900	SIGN PLATE FOR OVEN TEMPERATURE
004		536034500	KNOB §77 4P. §08*6,5
004		539062100	ADESIVE DISK FOR GAS OVEN S70
004		539054200	STAMP O20,5 CR."L" LOTUS R.
004		533010800	TUBE NUT D.10 M16*1,5
004		533039300	BICONE §10
004		533018500	FITTING FOR BICONE D.6 M10*1
004		533039100	BICONE §6
004		537002800	PIEZOELECTRIC IGNITION M18 WITH NUT
004		539063300	ADESIVE DISK FOR TYMER GREY
004		536034400	KNOB §77 4P. §06*4,6 C/M
004		531024800	TIMER 120'- 360°
004		539023800	LABEL FOR OVEN TIMER
004		547013900	HIGH-VOLTAGE CABLE TUB.§2 L=1400
004		533018600	PLUG FITTING
004		533023300	BICONE §6 ("TARGET" PILOT
004		533041800	THERMOCOUPLE 1500 M9*1
004		537008300	ROUND PLUG §2,4- LONG ELECTRODE
004		533085200	SPACER FOR PILOT PLUG
004		533023200	TARGET PILOT + NIPPLE TC BRAC.90°
004		544362100	UPPER BURNER DEFLECTOR FOR OVEN 70
004		544362200	UPPER PILOT DEFLECTOR FOR OVEN 70
004		544362400	SIDE PILOT DEFLECTOR FOR OVEN 70
004		544362300	SIDE BURNER DEFLECTOR FOR OVEN 70
004		531004700	BURNER FOR OVEN GN 2/1 S.70
004		531025600	ELBOW 90° NOZZLE-HOLDER §10 PIPE
004		533010900	NUT M14*1 H.4
004		533053000	AIR ADJUSTMENT BUSHING §18
004		533020500	NOZZLE 0.140 §19
004		533020600	NOZZLE 0.140 §27

Page	Pos	Code	Description
004		533015200	NOZZLE §145 CH12*14 F-FP/CP6
004		533030600	NOZZLE §125 CH12*14
004		533056100	NOZZLE §220 CH12*14
004		533056300	NOZZLE §240 CH12*14
004		533056200	NOZZLE §230 CH12*14
004		533069700	BY PASS COCK §075 25ST
004		533069400	BY PASS COCK §065 25ST
004		531031600	HORIZON.THERMOSTATIC TAP BY-PASS 75
004		531033800	HORIZON.THERMOSTATIC TAP BYPASS §65
005		544389300	CONTROP.73 SX APP. LT
005		531007600	DOOR HINGE
005		544182501	LEFT DOOR 73
005		533094200	S/S HANDLE FOR 70/90 SERIES
005		533035200	HANDLE SPACER
005		536000200	D.12 H.4 BUMPER
005		544389200	CONTROP.73 DX APP. LT
005		544182401	RIGHT DOOR 73
005		544182101	LEFT DOOR 74
005		544389500	INNER-DOOR OF LHD 74
005		544389400	CONTROP.74 DX APP. LT
005		544182001	RIGHT DOOR 74
005		544497000	PORTA 72 SX
005		544497100	CONTROP.72 SX APP. LT
005		544185101	RIGHT DOOR 74 CF
005		533107100	HANDLE SPACER OF CF-70
005		544185500	UPPER DOOR HINGE FOR COMPARTME CF70
005		531000900	MAGNET §22 KG.3 WITH DISK
005		544185201	INNER DOOR * 74DX
005		544185400	LOWER DOOR HINGE FOR COMPARTME CF70
005		544663900	LHD 74 DOOR FOR PCI
005		544663800	74 LHD OVEN INNER DOOR FOUR PCI
005		544662700	DOOR 74 DX PCI
005		544662600	CONTROP.74 DX APP. LT PCI
006		533039100	BICONE §6
006		533018500	FITTING FOR BICONE D.6 M10*1
006		532003800	BURNER COVER RING §082
006		531035300	MEDIUM BURNER BODY 90 LINE
006		532004000	1 FLAME GRILL 396X366 (90
006		544400200	BURNER DRIP PAN 2/3
006		533010900	NUT M14*1 H.4
006		531035000	MEDIUM BURNER VENTURI 90 LINE
006		533052301	JOINT FOR NOZZLE HOLDER
006		533039300	BICONE §10
006		533010800	TUBE NUT D.10 M16*1,5
006		533039400	THERMOCOUPLE M9*1*850
006		544424100	AIR ADJUSTMENT BUSHING*BURNER PC90
006		533080200	BY PASS COCK §65 20S-21S
006		539018900	INDEX FOR KNOB W/RED SIGN
006		531043000	GAS COCK 21S P.V. BY-PASS §065
006		539054200	STAMP Ø20,5 CR."L" LOTUS R.
006		536034500	KNOB §77 4P. §08*6,5

Page	Pos	Code	Description
006		539062800	RED STICKING DISK 72
006		533091400	P.NOZZLE S100 UG.§20 PC90 LPG-FLUS
006		533091500	PILOT NOZZLE S.100 §30 PC90 NAT.GAS
006		533091000	NOZZLE 0.100 §20
006		533091200	PILOT NOZZLE 0100 Ø35 PIL.PC
006		533043800	NOZZLE §130 CH12*14 G-CW4
006		533043900	NOZZLE §115 CH12*14 F-CW4
006		533044000	NOZZLE §195 CH12*14 M-CW4
006		533055100	NOZZLE §215 CH12*14 L-CW4
006		533055000	NOZZLE §205 CH12*14 G25 CW4
007		533009200	REDUCTION GRATE FOR 65-70LINES+FO
007		532003700	BURNER COVER RING §060
007		531035200	SMALL BURNER BODY 90 LINE
007		533010900	NUT M14*1 H.4
007		533052301	JOINT FOR NOZZLE HOLDER
007		533039300	BICONE §10
007		533010800	TUBE NUT D.10 M16*1,5
007		532004000	1 FLAME GRILL 396X366 (90
007		544400100	BURNER DRIP PAN 2/3
007		531034900	SMALL BURNER VENTURI 90 LINE
007		544424100	AIR ADJUSTMENT BUSHING*BURNER PC90
007		533039100	BICONE §6
007		533018500	FITTING FOR BICONE D.6 M10*1
007		533045700	THERMOCOUPLE M9*1 500
007		539018900	INDEX FOR KNOB W/RED SIGN
007		531042900	B.PASS §60 SAFETY COCK PC/CF 90
007		533069100	BY PASS COCK §60 20S
007		539062800	RED STICKING DISK 72
007		539054200	STAMP Ø20,5 CR."L" LOTUS R.
007		536034500	KNOB §77 4P. §08*6,5
007		533091400	P.NOZZLE S100 UG.§20 PC90 LPG-FLUS
007		533091500	PILOT NOZZLE S.100 §30 PC90 NAT.GAS
007		533091000	NOZZLE 0.100 §20
007		533091200	PILOT NOZZLE 0100 Ø35 PIL.PC
007		533030100	NOZZLE §95 CH12*14 G-FP
007		533014700	NOZZLE §85 CH12*14 F-FQ5
007		533015200	NOZZLE §145 CH12*14 F-FP/CP6
007		533030300	NOZZLE §160 CH12*14 M-FPG
007		533014900	NOZZLE §150 CH12*14 F-FQ5 L-FQ6
008		544389300	CONTROP.73 SX APP. LT
008		531007600	DOOR HINGE
008		544182501	LEFT DOOR 73
008		533094200	S/S HANDLE FOR 70/90 SERIES
008		533035200	HANDLE SPACER
008		536000200	D.12 H.4 BUMPER
008		544389200	CONTROP.73 DX APP. LT
008		544182401	RIGHT DOOR 73
008		544182101	LEFT DOOR 74
008		544389500	INNER-DOOR OF LHD 74
008		544389400	CONTROP.74 DX APP. LT
008		544182001	RIGHT DOOR 74

Page	Pos	Code	Description
008		544497000	PORTA 72 SX
008		544497100	CONTROP.72 SX APP. LT
008		544185101	RIGHT DOOR 74 CF
008		533107100	HANDLE SPACER OF CF-70
008		544185500	UPPER DOOR HINGE FOR COMPARTME CF70
008		531000900	MAGNET §22 KG.3 WITH DISK
008		544185201	INNER DOOR * 74DX
008		544185400	LOWER DOOR HINGE FOR COMPARTME CF70
008		544663900	LHD 74 DOOR FOR PCI
008		544663800	74 LHD OVEN INNER DOOR FOUR PCI
008		544662700	DOOR 74 DX PCI
008		544662600	CONTROP.74 DX APP. LT PCI
009		531003300	TP-PLATE LIFTING HOOK
009		541132300	PLATE TP-94G
009		541132200	PLATE TP-98G (1/2
009		544399100	PLATE RING FOR TP-74G TP-94G
009		544426600	PLATE RING FOR TP-98G
009		546015300	SQUARE BRAID 12*12*L=1821
009		546015100	SQUARE BRAID OF INSULATING MATERIAL
009		531044200	CIRCULAR BURNER TP D.066
009		531033100	BURNER TP..-78G
010		533023200	TARGET PILOT + NIPPLE TC BRAC.90°
010		533085200	SPACER FOR PILOT PLUG
010		533045700	THERMOCOUPLE M9*1 500
010		533039400	THERMOCOUPLE M9*1*850
010		533023300	BICONE §6 ("TARGET" PILOT
010		537008300	ROUND PLUG §2,4- LONG ELECTRODE
010		533018500	FITTING FOR BICONE D.6 M10*1
010		547003200	HIGH-VOLTAGE CABLE TUBE.§2 L=500
010		533018600	PLUG FITTING
010		533010900	NUT M14*1 H.4
010		533052301	JOINT FOR NOZZLE HOLDER
010		533039300	BICONE §10
010		533010800	TUBE NUT D.10 M16*1,5
010		539018900	INDEX FOR KNOB W/RED SIGN
010		533039100	BICONE §6
010		539062800	RED STICKING DISK 72
010		539054200	STAMP O20,5 CR."L" LOTUS R.
010		536034500	KNOB §77 4P. §08*6,5
010		531032100	GAS COCK 21S P.V.BY-PASS O100
010		531025500	GAS COCK 21S P.V.BY-PASS O130
010		533023600	TAP PLUG §10 M16*1, 5CH19
010		533069600	BY PASS COCK §130 20S-21S
010		537002800	PIEZOELECTRIC IGNITION M18 WITH NUT
010		533020500	NOZZLE 0.140 §19
010		533020600	NOZZLE 0.140 §27
010		533057700	NOZZLE §130A CH12*30 F-BRF74
010		533057600	NOZZLE §115A CH12*30 G-BRF74
010		533047400	NOZZLE §195 CH12*30 M-BM8
010		533047300	NOZZLE §215 CH12*30 L-BM8
010		533047500	NOZZLE §205 CH12*30 ML-BM-8G

<b>Page</b>	<b>Pos</b>	<b>Code</b>	<b>Description</b>
010		533046400	NOZZLE §185 CH12*30 G-CPM
010		533019600	NOZZLE §165 CH12*30 MH-FT5 H-FT6
010		533046200	NOZZLE §150 CH12X30 L-BR TP
010		533057500	NOZZLE §260 CH12X30
010		533032801	NOZZLE §280 CH12*30 M-CPM
010		533032001	NOZZLE §270 CH12*30 MH-CPM