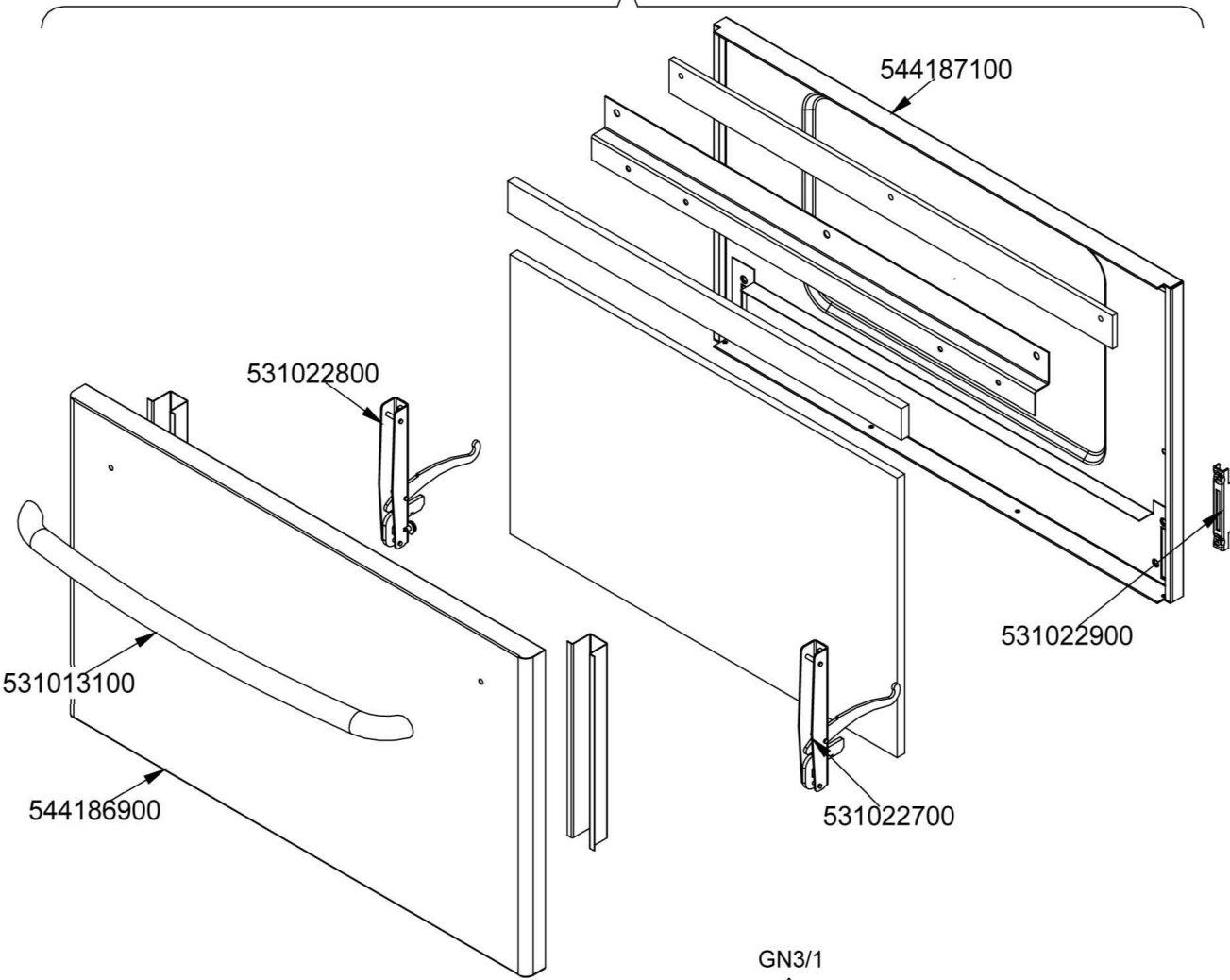
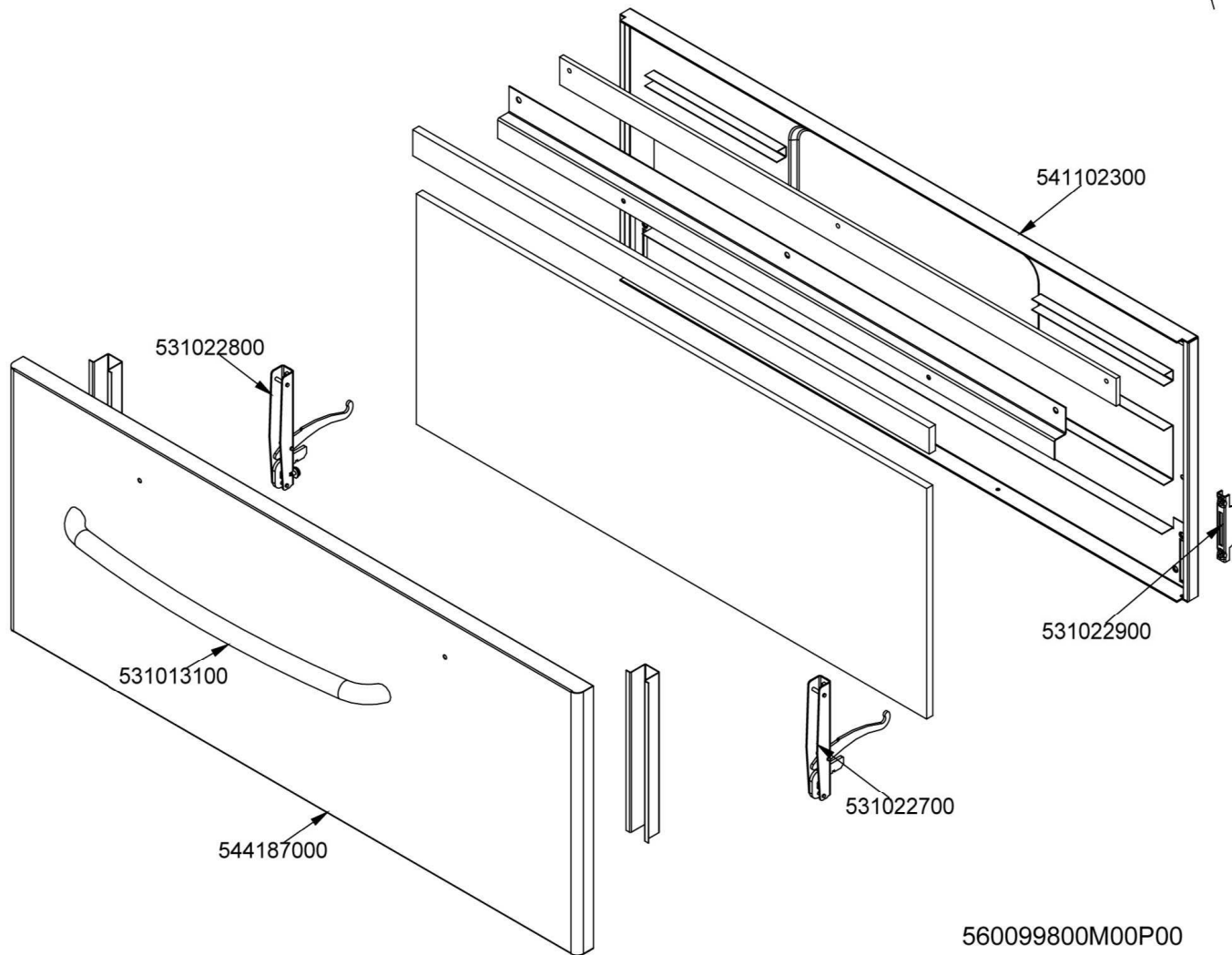


GN2/1

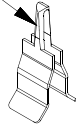


GN3/1

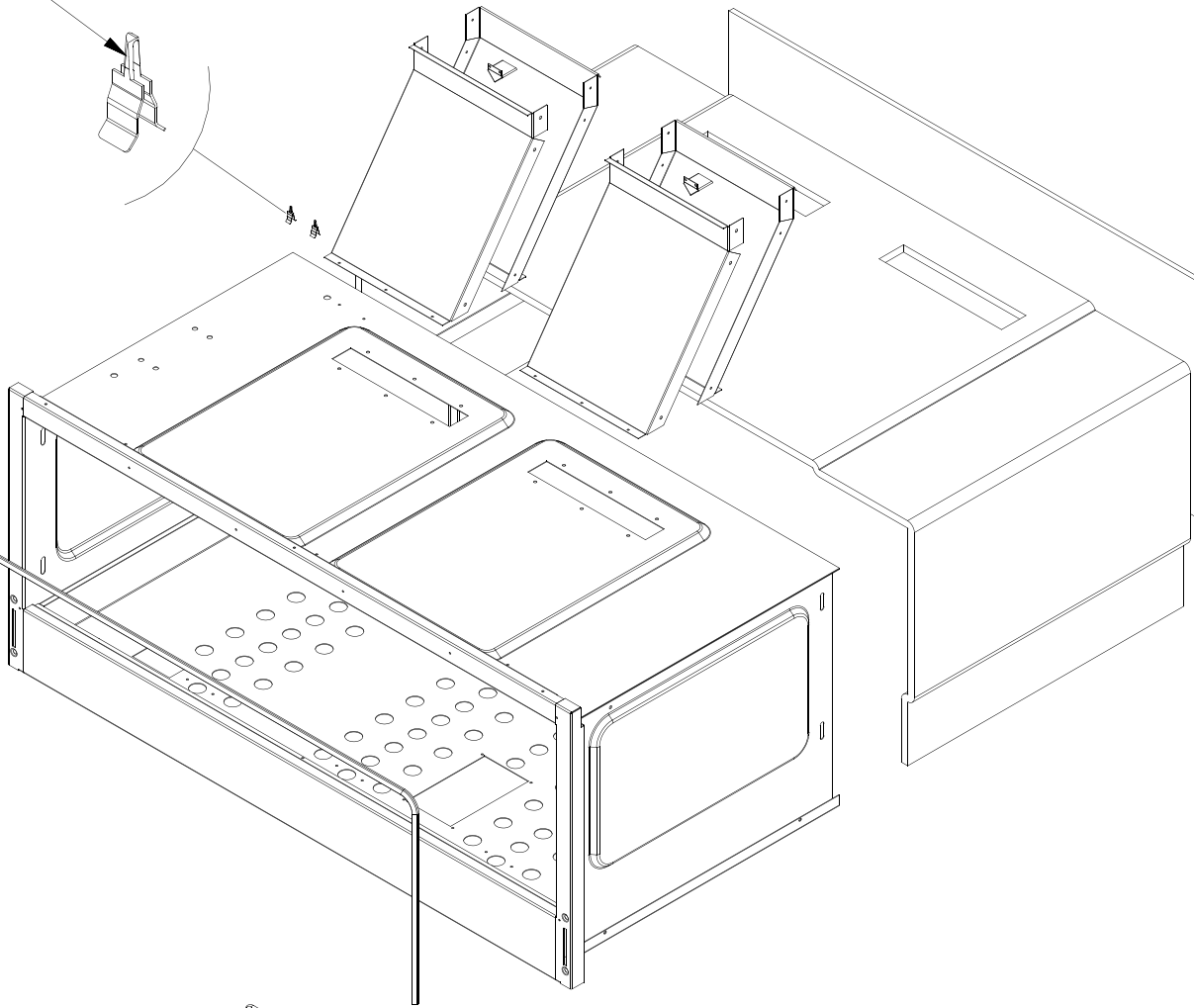


560099800M00P00

533033800



536010901



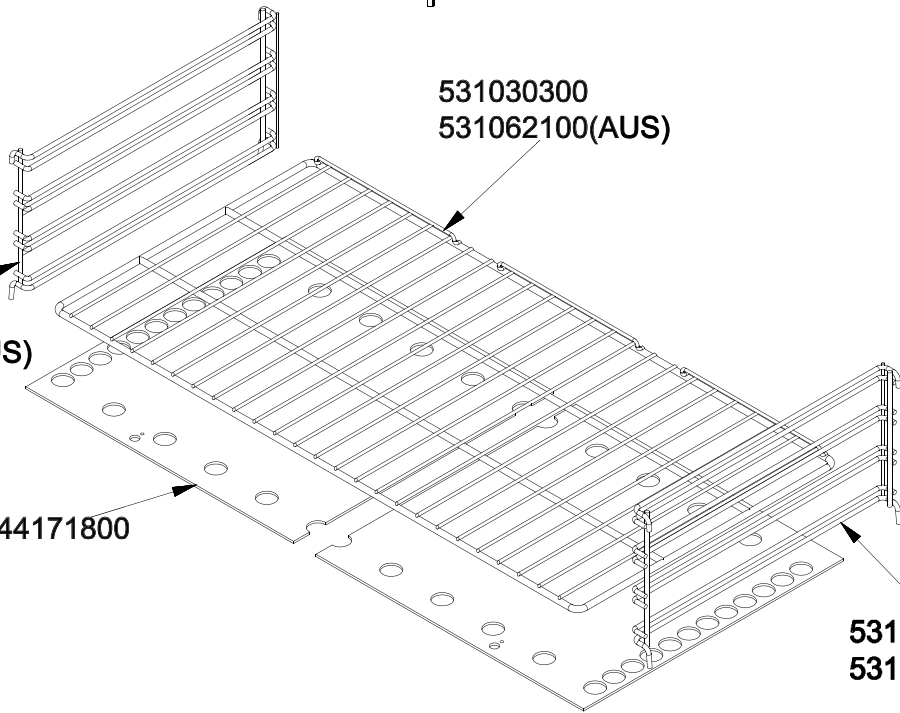
531030300
531062100(AUS)

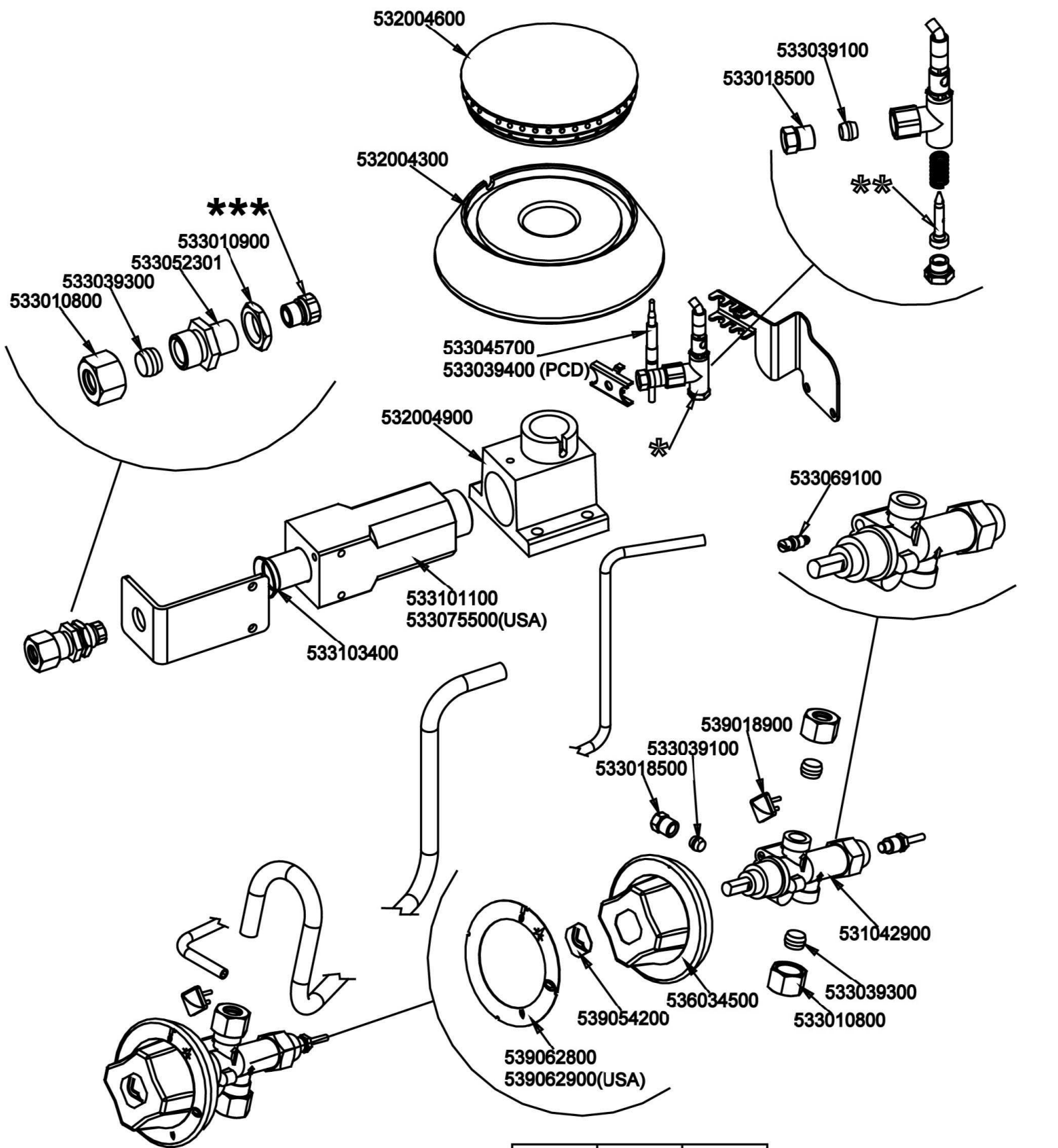
531030500
531062300(AUS)

544171800

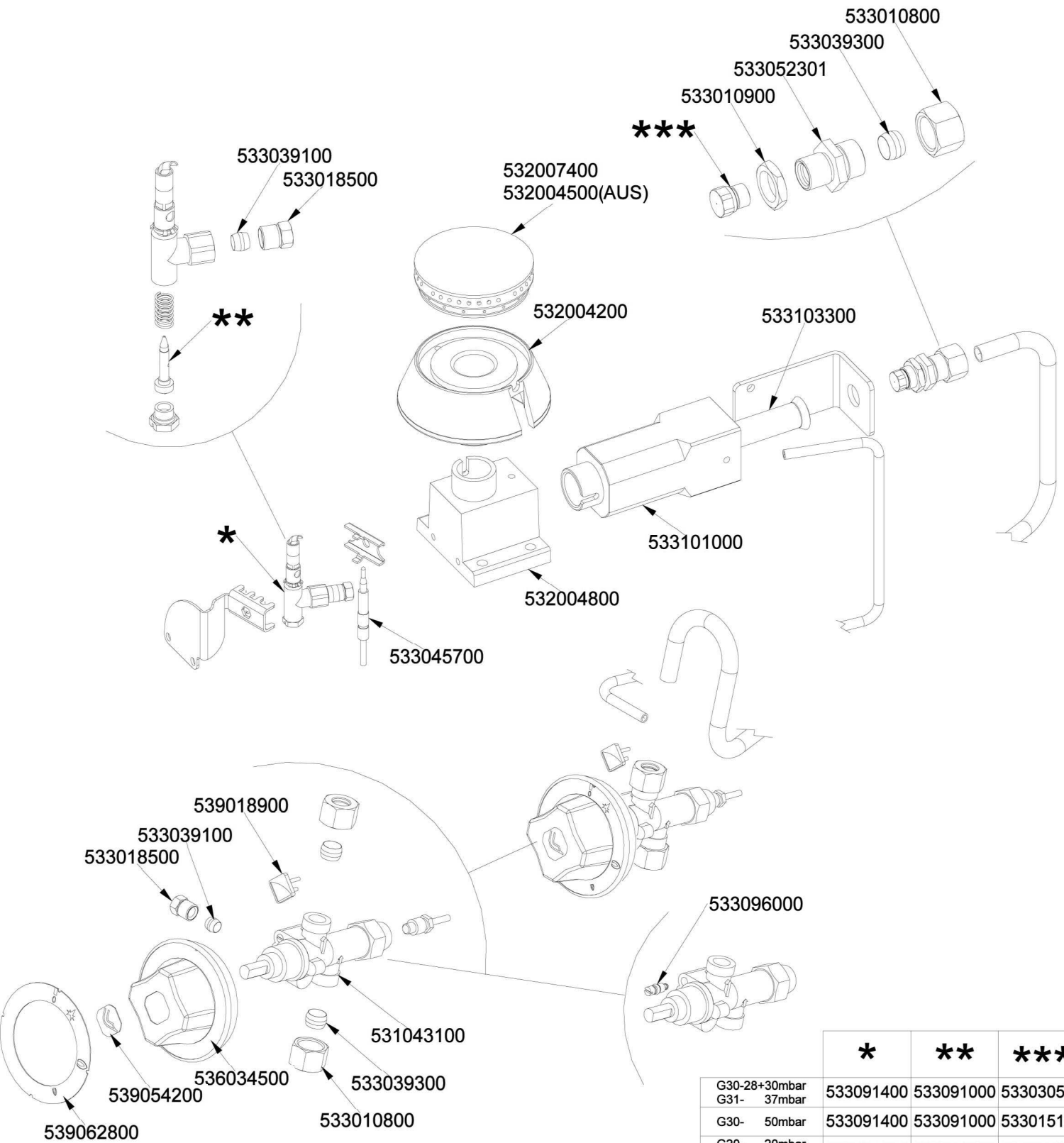
531030400
531062200(AUS)

560012400M02P00



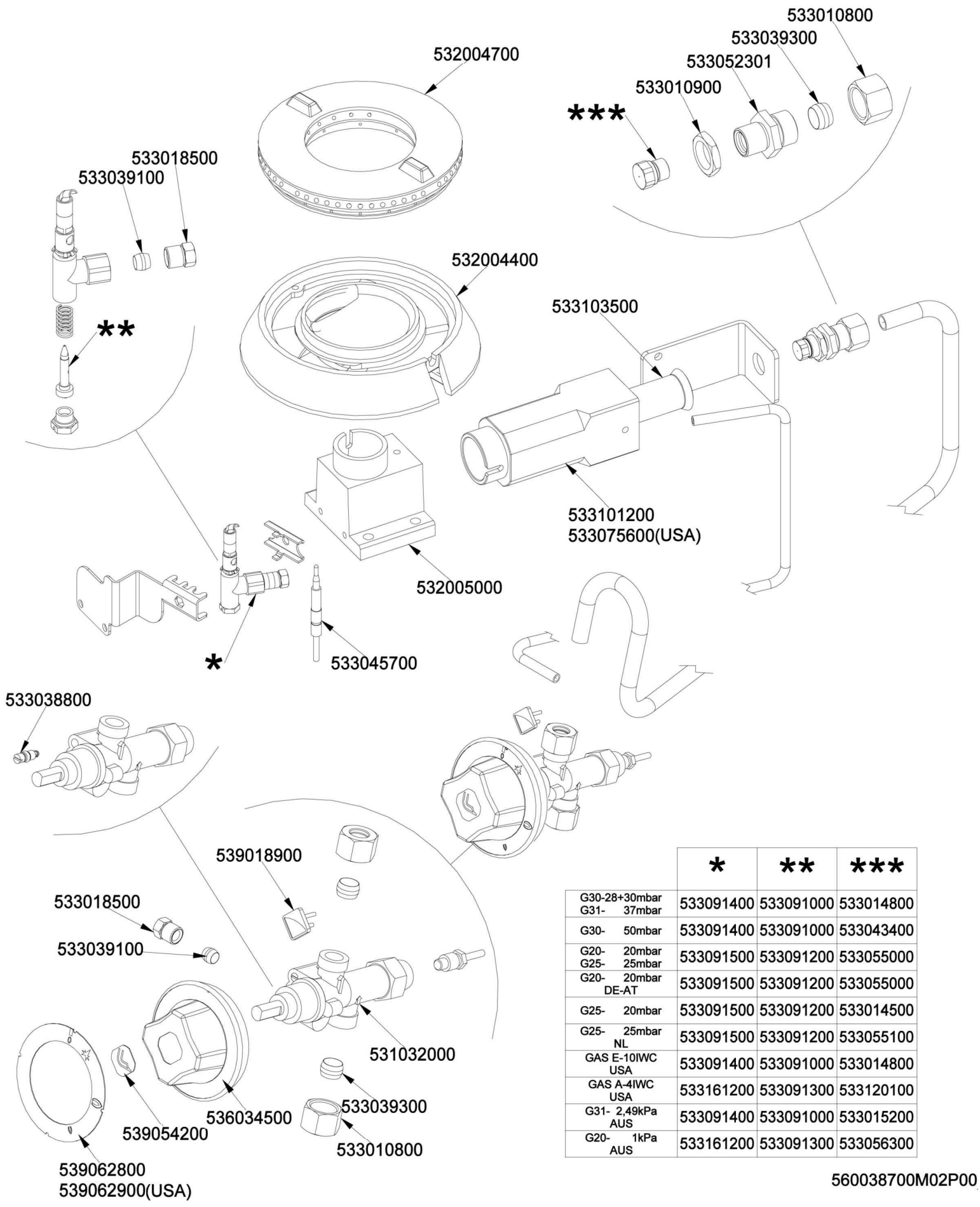


| | * | ** | *** |
|------------------------------|-----------|-----------|-----------|
| G30-28+30mbar G31- 37mbar | 533091400 | 533091000 | 533043900 |
| G30- 50mbar | 533091400 | 533091000 | 533019300 |
| G20- 20mbar G25- 25mbar | 533091500 | 533091200 | 533031000 |
| G20- 20mbar DE-AT | 533091500 | 533091200 | 533031000 |
| G25- 20mbar | 533091500 | 533091200 | 533043500 |
| G25- 25mbar NL | 533091500 | 533091200 | 533019400 |
| GAS E-10IWC USA | 533091400 | 533091000 | 533043200 |
| GAS A-4IWC USA | 533161200 | 533091300 | 533043100 |
| G31- 2,49kPa AUS | 533091400 | 533091000 | 533043900 |
| G20- 1kPa AUS | 533161200 | 533091300 | 533043500 |



| | * | ** | *** |
|------------------------------|-----------|-----------|-----------|
| G30-28+30mbar G31- 37mbar | 533091400 | 533091000 | 533030500 |
| G30- 50mbar | 533091400 | 533091000 | 533015100 |
| G20- 20mbar G25- 25mbar | 533091500 | 533091200 | 533015200 |
| G20- 20mbar DE-AT | 533091500 | 533091200 | 533015200 |
| G25- 20mbar | 533091500 | 533091200 | 533030800 |
| G25- 25mbar NL | 533091500 | 533091200 | 533014900 |
| G31- 2,49kPa AUS | 533091400 | 533091000 | 533019300 |
| G20- 1kPa AUS | 533161200 | 533091300 | 533030300 |

560038500M02P00



| | * | ** | *** |
|------------------------------|-----------|-----------|-----------|
| G30-28+30mbar G31- 37mbar | 533091400 | 533091000 | 533014800 |
| G30- 50mbar | 533091400 | 533091000 | 533043400 |
| G20- 20mbar G25- 25mbar | 533091500 | 533091200 | 533055000 |
| G20- 20mbar DE-AT | 533091500 | 533091200 | 533055000 |
| G25- 20mbar | 533091500 | 533091200 | 533014500 |
| G25- 25mbar NL | 533091500 | 533091200 | 533055100 |
| GAS E-10IWC USA | 533091400 | 533091000 | 533014800 |
| GAS A-4IWC USA | 533161200 | 533091300 | 533120100 |
| G31- 2,49kPa AUS | 533091400 | 533091000 | 533015200 |
| G20- 1kPa AUS | 533161200 | 533091300 | 533056300 |

560038700M02P00

| Page | Pos | Code | Description |
|------|-----|-----------|-------------------------------------|
| 001 | | 531047000 | 2 BURNER GRID FOR PC-700 |
| 001 | | 544333800 | BURNER CONTAINER 1/1GN R 304 |
| 001 | | 532004100 | FLUE GRID L=370 90LINE (RAF |
| 001 | | 541135100 | LOW SPACER 712 2 GRIDS |
| 001 | | 544383300 | UPPER PLATE PC-712GP CF6-7128GP/GPE |
| 001 | | 544333900 | BURNER CONTAINER 1/1GN R 304 |
| 001 | | 544173300 | LEFT SIDE PANEL RANGE S.70 |
| 001 | | 541119800 | FRONT PANEL CF6-912G/GV |
| 001 | | 544173200 | RIGHT SIDE PANEL RANGE S.70 |
| 001 | | 536005200 | INOX LEG 2" 120-180 M10 |
| 002 | | 544187100 | OVEN INNER DOOR GN 2/1 70/90LINE |
| 002 | | 531022800 | LEFT OVEN DOOR HINGE S.70 |
| 002 | | 531013100 | OVEN DOOR HANDLE OF 70/90-LINE |
| 002 | | 544186900 | OVEN DOOR GN 2/1 70/90LINES |
| 002 | | 531022700 | RIGHT OVEN DOOR HINGE 70LINE |
| 002 | | 531022900 | HINGE DOOR WHEEL HOLDER S.70 |
| 002 | | 541102300 | GAS OVEN INNER DOOR GN 3/1 S.70 |
| 002 | | 544187000 | OVEN DOOR GN 3/1 S.70 |
| 003 | | 533033800 | LOCK SPRING FOR BULB §6 |
| 003 | | 536010901 | GAS OVEN GASKET GN 3/1 (1668 |
| 003 | | 531030300 | OVEN GRID GN 3/1 FOR 70 LINE |
| 003 | | 531062100 | OVEN GRID GN 3/1 FOR 70 LINE |
| 003 | | 531030500 | LHD SUPPORT GRID FOR OVEN OF 70LINE |
| 003 | | 531062300 | LHD SUPPORT GRID FOR OVEN OF 70LINE |
| 003 | | 544171800 | BOTTOM FOR GAS OVEN GN3/1 70 LINE |
| 003 | | 531030400 | RHD SUPPORT GRID FOR OVEN OF 70LINE |
| 003 | | 531062200 | RHD SUPPORT GRID FOR OVEN OF 70LINE |
| 004 | | 532004600 | BURNER COVER RING R D104 |
| 004 | | 533039100 | BICONE §6 |
| 004 | | 533018500 | FITTING FOR BICONE D.6 M10*1 |
| 004 | | 532004300 | MIDDLE BURNER BODY 70LINE P. |
| 004 | | 533010900 | NUT M14*1 H.4 |
| 004 | | 533052301 | JOINT FOR NOZZLE HOLDER |
| 004 | | 533039300 | BICONE §10 |
| 004 | | 533010800 | TUBE NUT D.10 M16*1,5 |
| 004 | | 533045700 | THERMOCOUPLE M9*1 500 |
| 004 | | 533039400 | THERMOCOUPLE M9*1*850 |
| 004 | | 532004900 | ELBOW FITTING OF BURNER VENTURI R |
| 004 | | 533069100 | BY PASS COCK §60 20S |
| 004 | | 533101100 | BURNER VENTURI R |
| 004 | | 533075500 | BURNER VENTURI 5,5KW S70 USA |
| 004 | | 533103400 | AIR ADJUSTMENT BUSHING D20 EST.H57 |
| 004 | | 539018900 | INDEX FOR KNOB W/RED SIGN |
| 004 | | 531042900 | B.PASS §60 SAFETY COCK PC/CF 90 |
| 004 | | 533034500 | CODICE IN ELABORAZIONE |
| 004 | | 539054200 | STAMP Ø20,5 CR."L" LOTUS R. |
| 004 | | 539062800 | RED STICKING DISK 72 |
| 004 | | 539062900 | RED STICKING DISK 72 USA |
| 004 | | 533091400 | P.NOZZLE S100 UG.§20 PC90 LPG-FLUS |
| 004 | | 533091500 | PILOT NOZZLE S.100 §30 PC90 NAT.GAS |
| 004 | | 533161200 | CODICE IN ELABORAZIONE |

| Page | Pos | Code | Description |
|------|-----|-----------|-------------------------------------|
| 004 | | 533091000 | NOZZLE 0.100 §20 |
| 004 | | 533091200 | PILOT NOZZLE 0100 Ø35 PIL.PC |
| 004 | | 533091300 | PILOT NOZZLE 0100 Ø40 PIL.PC |
| 004 | | 533043900 | NOZZLE §115 CH12*14 F-CW4 |
| 004 | | 533019300 | NOZZLE §100 G-FQ5 F-CW |
| 004 | | 533031000 | NOZZLE §175 CH12X14 |
| 004 | | 533043500 | NOZZLE §190 CH12*14 G25 PC4R |
| 004 | | 533019400 | NOZZLE §180 CH12*14 L-FQ5 |
| 004 | | 533043200 | NOZZLE §110 G30 (LPG) CH12X14 |
| 004 | | 533043100 | NOZZLE §185 G25 CH12X14 |
| 005 | | 533010800 | TUBE NUT D.10 M16*1,5 |
| 005 | | 533039300 | BICONE §10 |
| 005 | | 533052301 | JOINT FOR NOZZLE HOLDER |
| 005 | | 533010900 | NUT M14*1 H.4 |
| 005 | | 533039100 | BICONE §6 |
| 005 | | 532007400 | BURNER COVER RING Ø073 4 Z |
| 005 | | 533018500 | FITTING FOR BICONE D.6 M10*1 |
| 005 | | 532004500 | BURNER COVER RING SR D73 |
| 005 | | 532004200 | SMALL BURNER BODY 70LINE P. |
| 005 | | 533103300 | AIR ADJUSTMENT BUSHING D16 EST.H57 |
| 005 | | 533101000 | BURNER VENTURI SR |
| 005 | | 532004800 | ELBOW FITTING OF BURNER VENTURI SR |
| 005 | | 533045700 | THERMOCOUPLE M9*1 500 |
| 005 | | 539018900 | INDEX FOR KNOB W/RED SIGN |
| 005 | | 533096000 | §50 BY-PASS COCK 20S-21S |
| 005 | | 531043100 | B.PASS §50 SAFETY COCK PC/CF 70 |
| 005 | | 539054200 | STAMP Ø20,5 CR."L" LOTUS R. |
| 005 | | 536034500 | KNOB §77 4P. §08*6,5 |
| 005 | | 539062800 | RED STICKING DISK 72 |
| 005 | | 533091400 | P.NOZZLE S100 UG.§20 PC90 LPG-FLUS |
| 005 | | 533091500 | PILOT NOZZLE S.100 §30 PC90 NAT.GAS |
| 005 | | 533091000 | NOZZLE 0.100 §20 |
| 005 | | 533091200 | PILOT NOZZLE 0100 Ø35 PIL.PC |
| 005 | | 533091300 | PILOT NOZZLE 0100 Ø40 PIL.PC |
| 005 | | 533030500 | NOZZLE §90 CH12X14 G30/CE |
| 005 | | 533015100 | NOZZLE §80 CH12*14 F-FP/CP6 |
| 005 | | 533015200 | NOZZLE §145 CH12*14 F-FP/CP6 |
| 005 | | 533030800 | NOZZLE §155 CH12X14 M-CW |
| 005 | | 533014900 | NOZZLE §150 CH12*14 F-FQ5 L-FQ6 |
| 005 | | 533019300 | NOZZLE §100 G-FQ5 F-CW |
| 005 | | 533030300 | NOZZLE §160 CH12*14 M-FPG |
| 006 | | 533010800 | TUBE NUT D.10 M16*1,5 |
| 006 | | 533039300 | BICONE §10 |
| 006 | | 533052301 | JOINT FOR NOZZLE HOLDER |
| 006 | | 532004700 | BURNER COVER RING UR D128 |
| 006 | | 533010900 | NUT M14*1 H.4 |
| 006 | | 533018500 | FITTING FOR BICONE D.6 M10*1 |
| 006 | | 533039100 | BICONE §6 |
| 006 | | 532004400 | BIG BURNER BODY 70LINE P. |
| 006 | | 533103500 | AIR ADJUSTMENT BUSHING D22 EST.H57 |
| 006 | | 533101200 | BURNER VENTURI UR |

| Page | Pos | Code | Description |
|------|-----|-----------|-------------------------------------|
| 006 | | 533075600 | BURNER VENTURI 7,5KW S70 USA |
| 006 | | 532005000 | ELBOW FITTING OF BURNER VENTURI UR |
| 006 | | 533045700 | THERMOCOUPLE M9*1 500 |
| 006 | | 533038800 | 75 BY-PASS FOR 21S TAP |
| 006 | | 539018900 | INDEX FOR KNOB W/RED SIGN |
| 006 | | 531032000 | GAS COCK P.V.BY-PASS Ø075 |
| 006 | | 536034500 | KNOB §77 4P. §08*6,5 |
| 006 | | 539054200 | STAMP Ø20,5 CR."L" LOTUS R. |
| 006 | | 539062800 | RED STICKING DISK 72 |
| 006 | | 539062900 | RED STICKING DISK 72 USA |
| 006 | | 533091400 | P.NOZZLE S100 UG.§20 PC90 LPG-FLUS |
| 006 | | 533091500 | PILOT NOZZLE S.100 §30 PC90 NAT.GAS |
| 006 | | 533091000 | NOZZLE 0.100 §20 |
| 006 | | 533091200 | PILOT NOZZLE 0100 Ø35 PIL.PC |
| 006 | | 533091300 | PILOT NOZZLE 0100 Ø40 PIL.PC |
| 006 | | 533014800 | NOZZLE §135 CH12*14,0 |
| 006 | | 533043400 | NOZZLE §117 CH12*14 G-PC4 UR |
| 006 | | 533055000 | NOZZLE §205 CH12*14 G25 CW4 |
| 006 | | 533014500 | NOZZLE §225 CH12*14 OVEN GN 2/1 |
| 006 | | 533055100 | NOZZLE §215 CH12*14 L-CW4 |
| 006 | | 533120100 | NOZZLE §210 CH12*14,0 |
| 006 | | 533015200 | NOZZLE §145 CH12*14 F-FP/CP6 |
| 006 | | 533056300 | NOZZLE §240 CH12*14 |