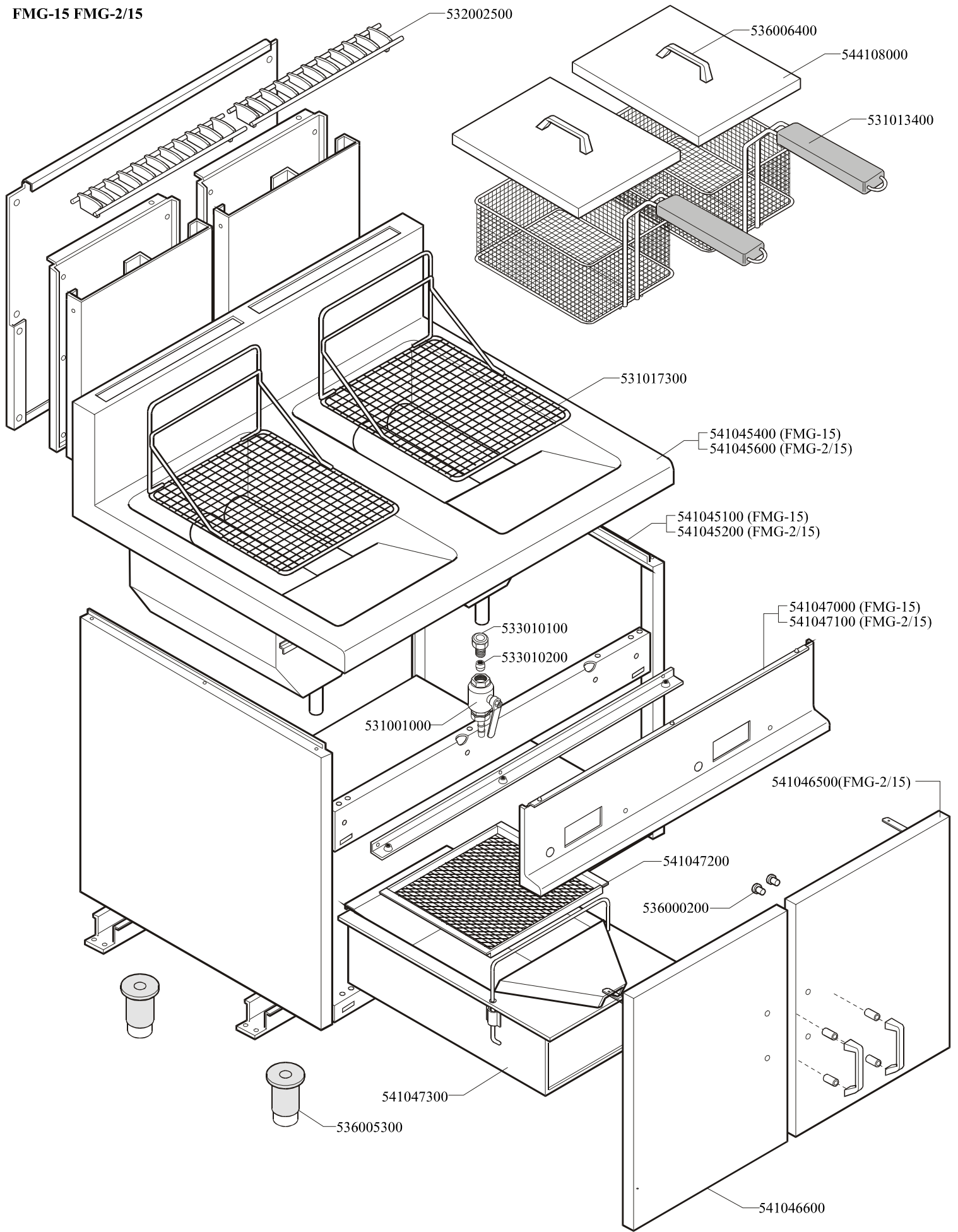
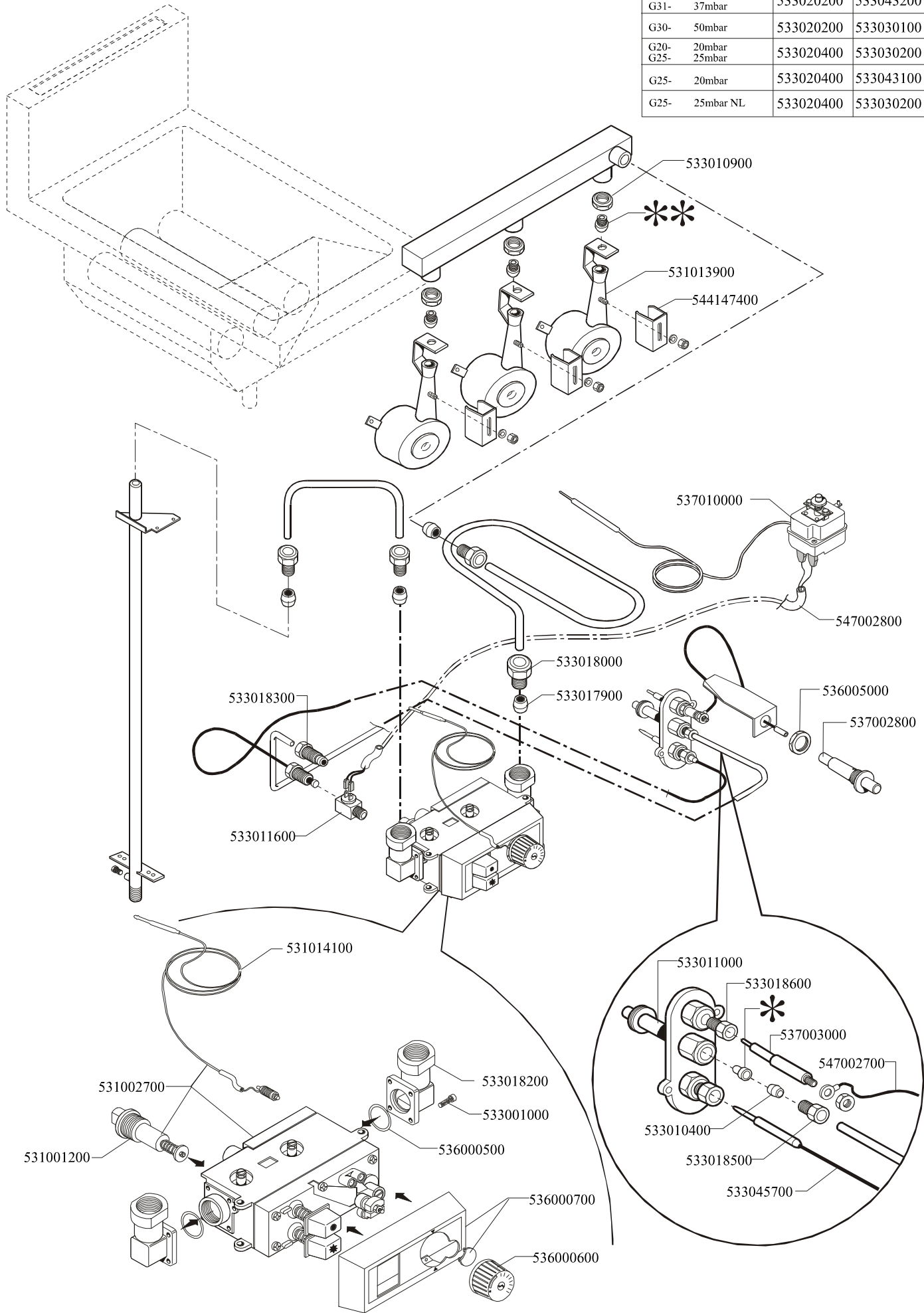


FMG-15 FMG-2/15



	*	**
G30- 28+30mbar G31- 37mbar	533020200	533043200
G30- 50mbar	533020200	533030100
G20- 20mbar G25- 25mbar	533020400	533030200
G25- 20mbar	533020400	533043100
G25- 25mbar NL	533020400	533030200



Page	Pos	Code	Description
001		532002500	GRID FOR PIPE 400 FMG
001		536006400	BLACK HANDLE 65/FE/FG
001		544108000	TANK LID FMG-15-2/15 FQM-4G
001		531013400	FRYER BASKET 15LTS.GAS/ELECTRIC
001		531017300	TANK FILTER/BASKET SUPPORT FMG15/18
001		541045600	UPPER PLATE FMG-2/15
001		541045200	FRAME FMG-2/10-2/15
001		541047100	CONTROL PANEL FMG-2/10-2/15
001		541046500	RIGHT DOOR 40
001		541047200	FILTER FOR DRIP TRAY
001		536000200	D.12 H.4 BUMPER
001		541046600	LEFT DOOR 40
001		533010100	3/4 D. 18 PIPE UNION
001		533010200	BICONE 18S
001		531001000	DRAIN COCK 3/4" + HANDLE
001		541047300	DRIP TRAY FMG
001		536005300	PLASTIC LED 2"
002		533010900	NUT M14*1 H.4
002		531013900	BURNER FMG-10/15
002		544147400	AIR ADJUSTMENT BUSHING FMG-FQ
002		537010000	SAFETY THERMOSTAT 220°C SINGLEPHASE
002		536005000	NUT M18 FOR PIEZOELECTRIC IGNITION
002		537002800	PIEZOELECTRIC IGNITION M18
002		533018000	ELBOW FOR BICONE D.12 3/8 RS L20
002		533017900	BICONE D.12
002		533018300	FITTING WITH BICONE 6 M10*1
002		533011000	PILOT BURNER 3 FLAMES 320
002		533018600	PLUG FITTING
002		537003000	PLUG M4 - LONG ELECTRODE
002		547002700	HIGH-VOLTAGE CABLE L=500
002		533010400	BICONE D.6
002		533018500	FITTING FOR BICONE D.6 M10*1
002		533067200	THERMOCOUPLE 220+500 M9*1 CUT-OFF
002		531014100	VALVE CAPILLARY PROBE FOR FG §6
002		531002700	MINISIT VALVE 100-190°C FQ/FG
002		531001200	MAGNET AC/2-MINISIT
002		533018200	ELBOW OR GJ 3/8
002		533001000	SCREW TCB C/CC M4X16
002		536000500	O-RING FOR MINISIT FITTING
002		536000700	PLASTIC COVER FOR MINISIT + SCREW
002		547002800	SAFETY CABLE FOR GAS FRYER
002		533011600	THERMOCOUPLE CUT-OFF M9*1-F9*1
002		536000600	BLACK LHD KNOB OP. FOR MINISIT
002		533020200	PILOT JETS 0160 FOR LPG §30
002		533043200	NOZZLE §110 G30 (LPG) CH12X14
002		533030100	NOZZLE §95 CH12*14 G-FP
002		533020400	NOZZLE 0160 (NATURAL GAS) 51
002		533030200	NOZZLE §170 CH12*14 MH-FG L-FP/CW
002		533043100	NOZZLE §185 G25 CH12X14