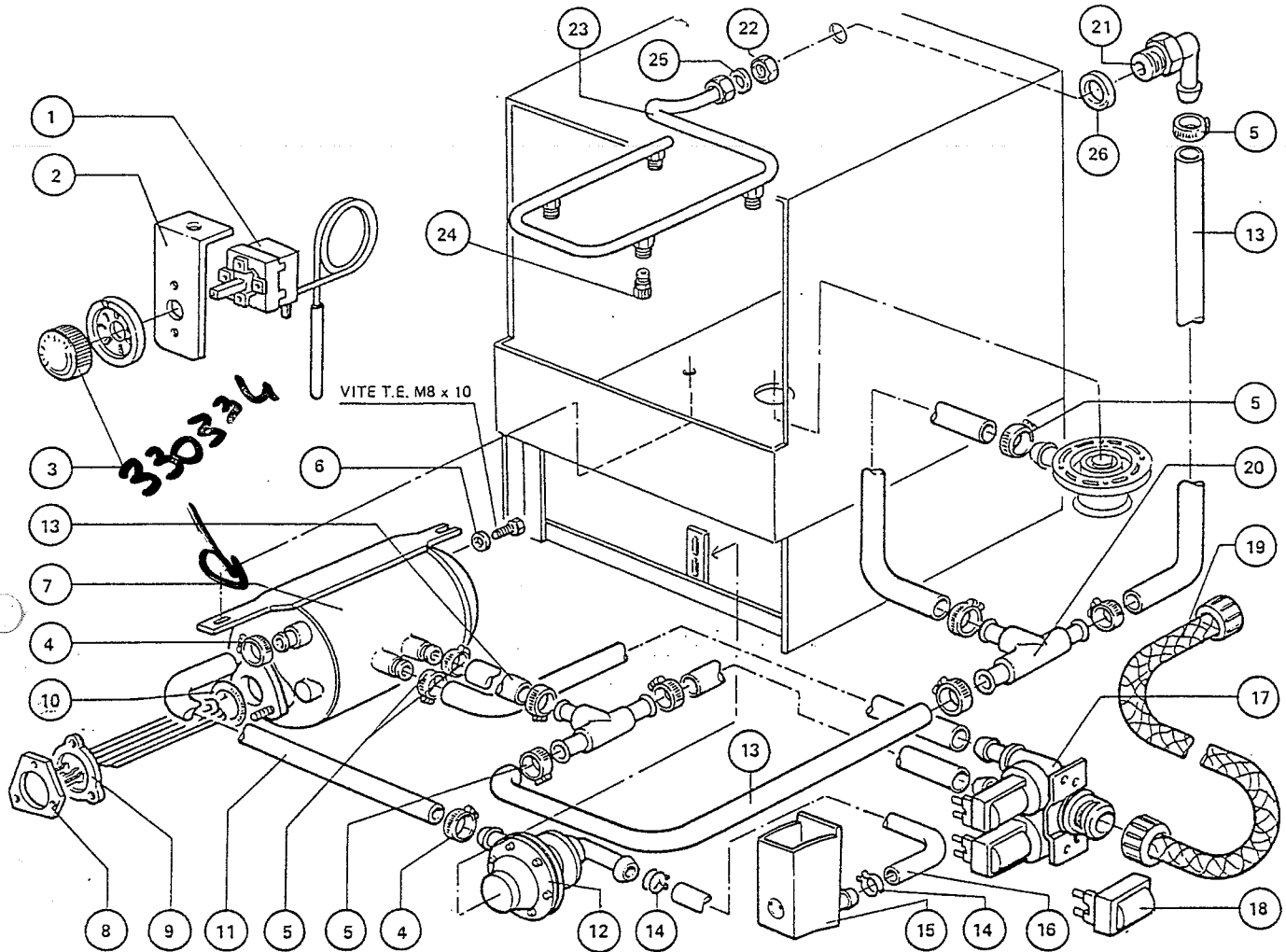
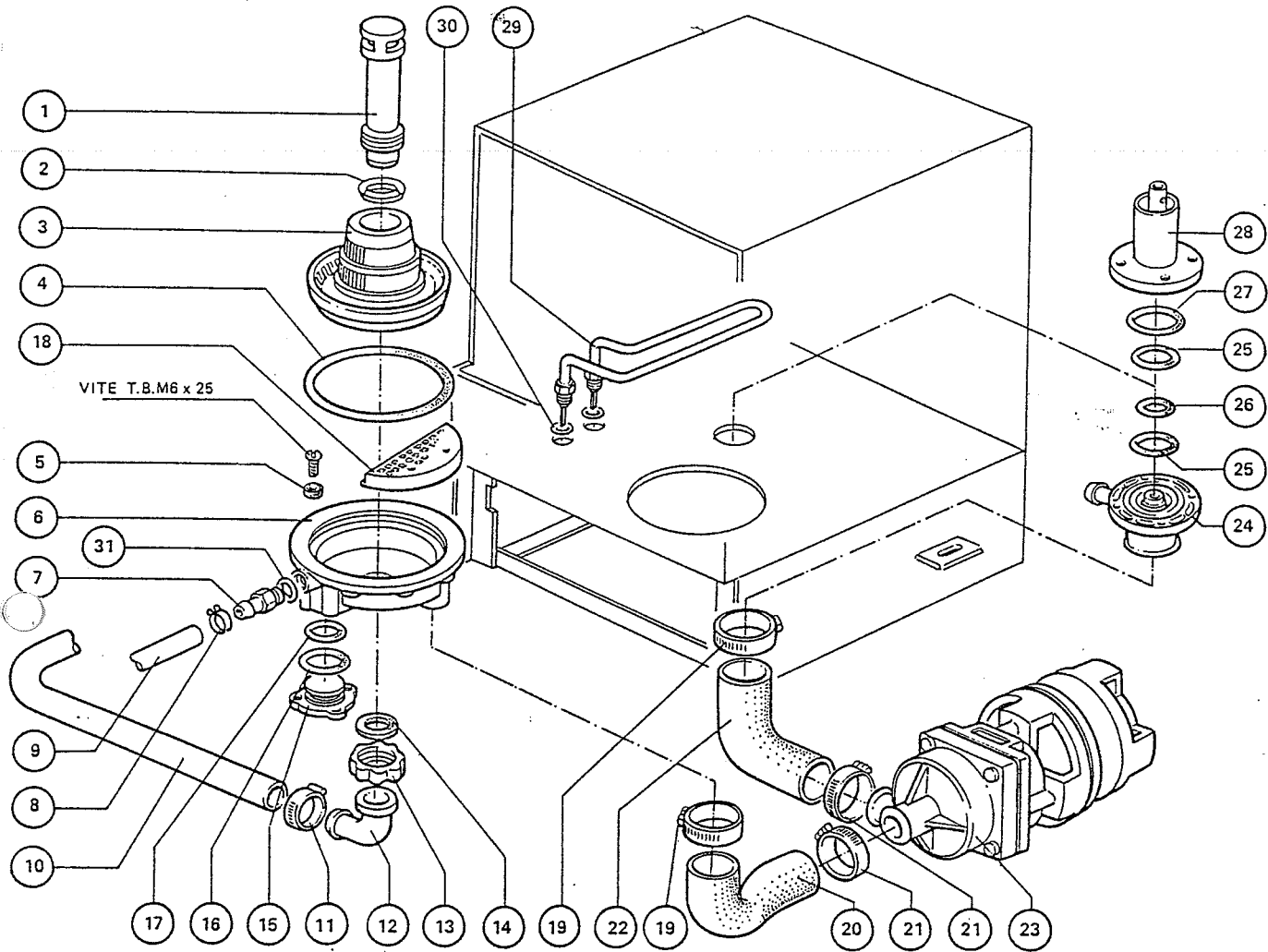


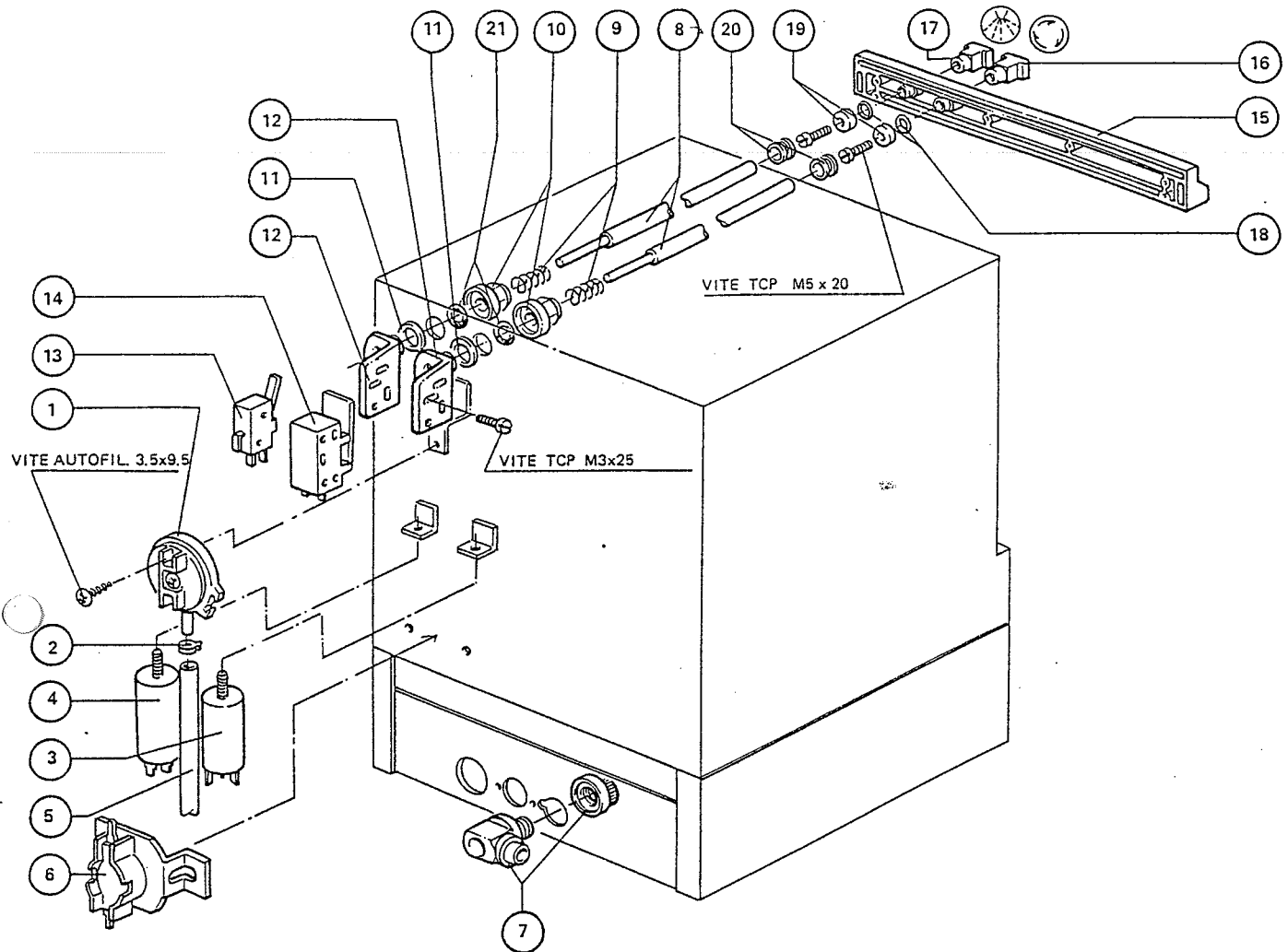
P. O. S.	M.	CODICE	DESCRIZIONE	DENOMINATION	DESCRIPTION	BEZEICHNUNG
1		321802	CERNIERA	PATTE	DOOR SUPPORT	HALTEPLATTE
2		341218	PERNO CERNIERA	AXE	PIN	STIFT
3	B18-19	190619	FERMO PORTA	FERMETURE PORTE	DOOR CATCH	TÜRHALTERUNG
4	B15-16	320958	PORTINA	PORTE	DOOR	TÜR
4	B18-19	320956	PORTINA	PORTE	DOOR	TÜR
5	B18-19	330209	TIRANTE	TIGE	DOOR ROD	ZUGSTANGE
6	B18-19	250207	GRANO PER TIRANTE PORTA	GRAIN POUR TIGE PORTE	THREADED PIN FOR DOOR RODS	GEWINDESTIFT FÜR TÜRZUGSTANGE
7		381403	SCROCCHETTO	FERMETURE PORTE	DOOR CATCH	SCHNAPPVERSCHLUSS
8	B15-16	170810	MANIGLIA	POIGNEE	DOOR HANDLE	TÜRGRIFF
8	B18-19	170806	MANIGLIA	POIGNEE	DOOR HANDLE	TÜRGRIFF
9		260238	VITE T.B. M4 x 10	VIS	SCREW	SCHRAUBE
10		160832	RONDELLA	RONDELLE	WASHER	BEILEGSCHIEBE
11		260237	VITE T.C.P. BRUNITA M5 x 25	VIS	SCREW	SCHRAUBE
12		460713	TARGA COMANDI	PANNEAU	CONTROL PANEL	SCHALTAFEL
13	B18-19	321728	GUIDA DESTRA	RAIL DROITE	RIGHT GUIDE	RECHTE FÜHRUNG
13	B15-16	321762	GUIDE DESTRA	RAIL DROITE	RIGHT GUIDE	RECHTE FÜHRUNG
14		210204	PIEDINO	PIED	FOOT	FUSS
15		310212	DADO CIECO	ECROU	LOCK NUT	MUTTER
16		161104	PROTEZIONE POSTER.	PANNEAU	BACKPANEL	ABDECKUNG
17	B18-19	321729	GUIDA SINISTRA	RAIL GAUCHE	LEFT GUIDE	LINKE FÜHRUNG
17	B15-16	321763	GUIDA SINISTRA	RAIL GAUCHE	LEFT GUIDE	LINKE FÜHRUNG
18	B18-19	160905	PIASTRA SCORRIMENTO	PATTE	BEARING PLATE	GLEITPLATTE
19	B15-16	341401	CARROZZERIA	CARROSSERIE	HOOD	KAROSSERIE
19	B18-19	341410	CARROZZERIA	CARROSSERIE	HOOD	KAROSSERIE
20		210402	PARACOLPI	PROTECTION	PAD	TÜRDÄMPFER
21	B15-16	320667	RINFORZO CERNIERA.	RENFORCEMENT CHARNIERE	HINGE REINFORCER	SCHARNIERVERSTÄRKUNG



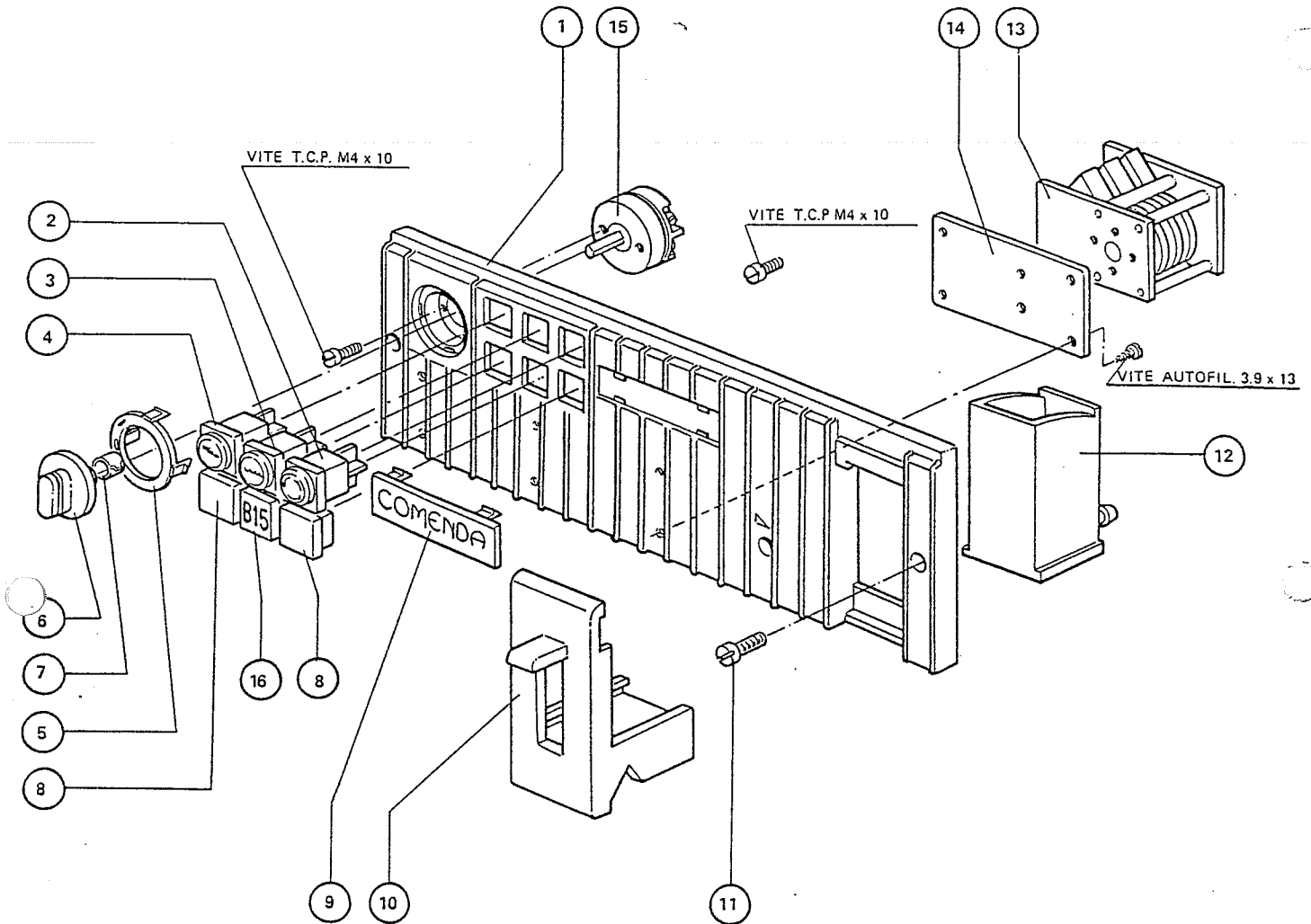
P. S.	M	CODICE	DESCRIZIONE	DENOMINATION	DESCRIPTION	BEZEICHNUNG
1		120501	TERMOSTATO	THERMOSTAT	THERMOSTAT	THERMOSTAT
2		350754	SQUADRETTA	EQUERRE	BRACKET	WINKEL
3		450315	MANOPOLA	POIGNEE	KNOB	KNEBEL
4		450102	FASCETTA Ø 11÷17	COLLIER	CLAMP	SHELLE
5		450103	FASCETTA Ø 13÷20	COLLIER	CLAMP	SHELLE
6		160805	GUARNIZ. DUBO	JOINT	GASKET	DICHTUNG
7		330316	BOILER	SURCHAUFFEUR	BOOSTER	DURCHLAUFERHITZER
8+9		110364	RESISTENZA 2400 W	RESISTANCE 2400 W	HEATER 2400 W	HEIZKÖRPER 2400 W
10		200820	ANELLO OR	O-RING	O-RING	O-RING
11		200117	TUBO GOMMA Ø 6 x 17	DURITE	RUBBER HOSE	GUMMISCHLAUCH
12		620120	DOSATORE	DOSEUR	RINSE AID INJECTOR	GLANZMITTELDOSIERER
13		200122	TUBO Ø 12,5 x 20	DURITE	RUBBER HOSE	GUMMISCHLAUCH
14		450115	FASCETTA A MOLLA	COLLIER	CLAMP	SHELLE
15		190809	CONTENITORE BRILLANT.	CONTAINER PROD. RINC.	RINSE AID CONTAINER	GLANZMITTELBEHÄLTER
16		160108	TUBO ASPIRAZ. DOSAT.	TUYAU ASP. DOSEUR	INJECTOR INLET TUBE	ANSAUGSCHLAUCH
17	B15-18	120146	ELETTROVALVOLA COMPL.	ELECTROVANNE COMPLETE	SOLENOID VALVE COMPLETE	E-VENTIL KOMPLETT
18	B16-19	120142				
19		630969	BOBINA ELETTROV.	BOBINE ELECTROVANNE	SOLENOID	SPULE
20		200714	TUBO DI CARICO	TUYAU	FILL HOSE	EINLAUFSCHAUCH
21		180403	COLLETTORE RISC.	COLLECTEUR	MANIFOLD	KOLLEKTOR
22		510408	RACCORDO GOMITO RISC.	COUDE	ELL	KNIESTÜCK
23		270101	CONTRODADO	CONTRE ECROUS	LOCK NUT	GEGENMUTTER
24		380604	BRACCIO RISC. SUP.	BRAS RINCAGE SUP.	UPPER RINSE ARM	OBEBER NACHSPÜLARM
25		380309	UGELLO RISCIAQUO	GICLÉUR RINCAGE	RINSE JET	SPÜLDÜSE
26		200415	GUARNIZIONE	JOINT	GASKET	DICHTUNG
		460502	GUARNIZIONE	JOINT	GASKET	DICHTUNG



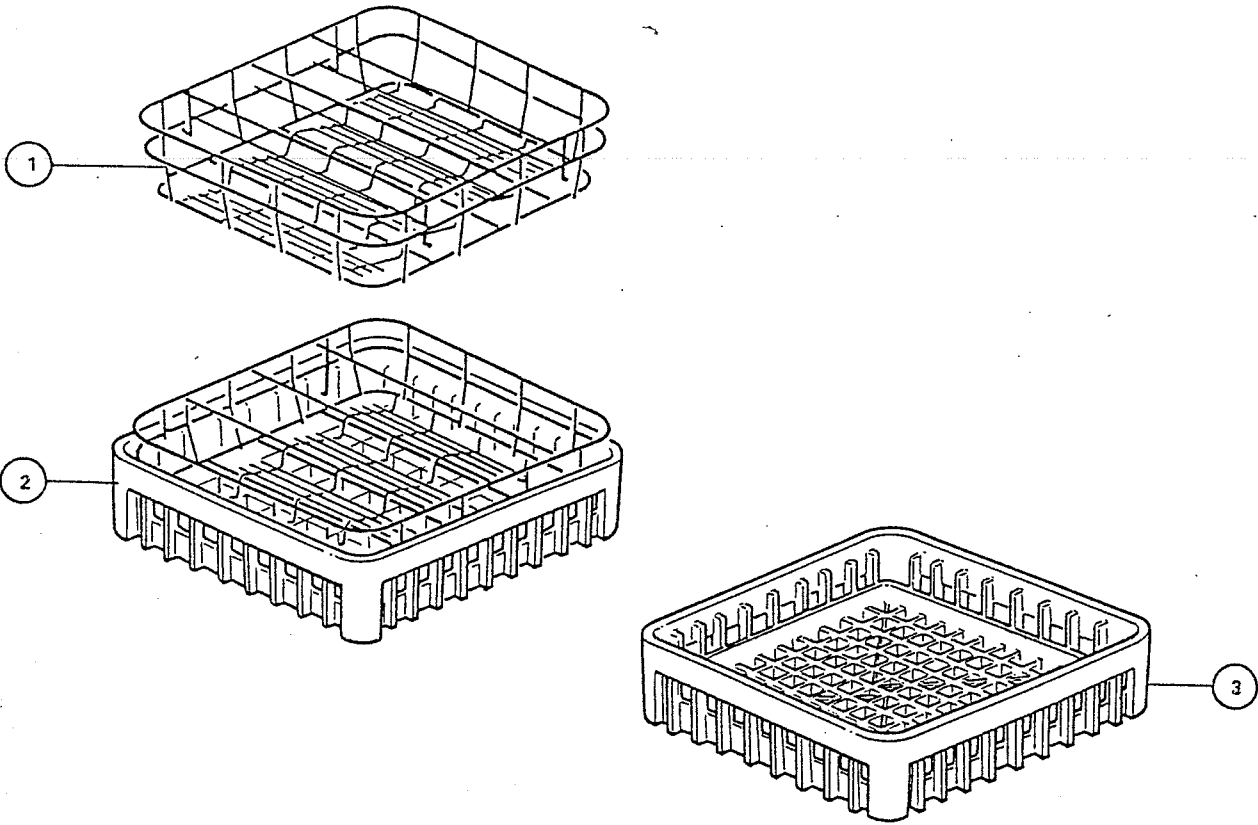
P. O. S.	M	CODICE	DESCRIZIONE	DENOMINATION	DESCRIPTION	BEZEICHNUNG
1		170707	TROPPOPIENO	TROP PLEIN	OVERFLOW-PIPE	STANDROHR
2		200469	GUARNIZIONE A LABBRIO	JOINT	GASKET	DICHTUNG
3		180808	FILTRO	FILTRE	FILTER	FILTER
4		200828	GUARNIZIONE OR	JOINT OR	O-RING	O-RING
5		160804	GUARNIZIONE DUBBO	JOINT	GASKET	DICHTUNG
6		180218	VASCHETTA ASP. POMPA	CUVETTE ASPIRATION	SUCTION POINT	ANSAUGPUNKT
7		280509	RACC. ATTACCO PRESSOST.	RACCORD	NIPPLE	VERBINDUNG
8		450125	FASCETTA ELASTICA	COLLIER	CLAMP	SCHELLE
9		160108	TUBO PRESSOSTATO	TUYAU PRESSOSTAT	PRESS. SWITCH HOSE	DRUKWÄCHTERSCHLAUCH
10		200721	TUBO DI SCARICO	DURITE	DRAIN HOSE	ABLAUFSCHLAUCH
11		450106	FASCETTA Ø 32÷44	COLLIER	CLAMP	SHELLE
12		160203	CODULO CURVO	COUDE	ELL	KNIESTÜCK
13		180102	GHIERA PER CODULO	EMBOUT	LOCK NUT	GEWINDERING
14		200412	GUARNIZIONE CODULO	JOINT	GASKET	DICHTUNG
15		160731	TAPPO TRAPP. PRESSOST.	BOUCHON	AIR-TRAP PLUG	LUFTFALLE-VERSCHLUSS
16		200833	GUARNIZIONE OR	JOINT OR	O-RING	O-RING
17		200814	GUARNIZIONE OR	JOINT OR	O-RING	O-RING
18		180814	FILTRO PROT. ASPIRAZIONE	FILTRE	STRAINER	SCHMUTZFILTER
19		450135	FASCETTA Ø 44÷56	COLLIER	CLAMP	SHELLE
20		200732	TUBO ASPIRAZIONE	TUYAU ASPIRATION	SUCTION HOSE	ANSAUGSCHLAUCH
21		450106	FASCETTA Ø 32÷44	COLLIER	CLAMP	SHELLE
22		200733	TUBO PREMENTE	COUDE	DISCHARGE HOSE	DRUCKSCHLAUCH
23		100303	POMPA 0,20 HP	POMPE	PUMP	PUMPE
24		190208	PIPA INF.LAV.-RISCIACQUO	PIPETTE INF.	TEE-LOWER WASH	UNTERER WASCHARMSUPPORT
25		200820	GUARNIZIONE OR	JOINT OR	O-RING	O-RING
26		200806	GUARNIZIONE OR	JOINT OR	O-RING	O-RING
27		200829	GUARNIZIONE OR	JOINT OR	O-RING	O-RING
28		191025	COLONNA MULINELLO	COLONNE TOURN. INF.	LOWER WASH ARM SUPP.	UNTERE SPÜLARMAUFNAHME
29		110235	RES. VASCA 1500 W	RESISTANCE	HEATER ELEMENT	HEIZKÖRPER
30		200810	GUARNIZIONE OR	JOINT OR	O-RING	O-RING
31		200818	GUARNIZIONE OR	JOINT OR	O-RING	O-RING



P O S	M.	CODICE	DESCRIZIONE	DENOMINATION	DESCRIPTION	BEZEICHNUNG
1		130607	PRESSOSTATO	PRESSOSTAT	PRESSURE SWITCH	DRUCKWÄCHTER
2		450125	FASCETTA ELASTICA	COLLIER	CLAMP	SHELLE
3		631209	FILTRO ANTIDISTURBO	FILTRE	ANTI-NOISE FILTER	ENTSTÖRFILTER
4		631208	CONDENSATORE	CONDENSATEUR	CONDENSER	KONDENSATOR
5		160108	TUBO PRESSOSTATO	TUYAU PRESSOSTAT	PRESS. SWITCH HOSE	DRUCKWÄCHTERSCHLAUCH
		120509	TERMOSTATO VASCA	THERMOSTAT CUVE	TANK THERMOSTAT	TANKTHERMOSTAT
		150818	PRESSACAVO	PROTECTION GAINE	CABLE HOLDER	KABELDURCHLASS
8		341233	ASTA COMANDO MICRO	AXE MICRO	SAFETY SWITCH ROD	DRUCKSTANGE
9		450215	MOLLA ASTA MICRO	RESSORT	SPRING	FEDER
10		180125	GHIERA IN PLASTICA	EMBOUT	LOCK NUT	GEWINDERING
11		200416	GUARNIZIONE	JOINT	GASKET	DICHTUNG
12		190119	SUPPORTO MICRO	SUPPORT	SUPPORT	SUPPORT
13	B15-18	120323	MICRO "RIS. FREDDO"	MICRO INTERRUPTEUR RINÇ	MICRO SWITCH COLDE RINSE	SCHALTER KALTWASSERNACHSP.
13	B16-19	120332	MICRO "RIS. FREDDO"	MICRO INTERRUPTEUR RINÇ	MICRO SWITCH COLDE RINSE	SCHALTER KALTWASSERNACKSP.
14		120329	MICRO CICLO	MICRO INTERRUPTEUR	MICRO SWITCH CYCLE	SCHALTER ZYKLUS
15	B15-16	170810	MANIGLIA	POIGNEE	DOOR HANDLE	TÜRGRIFF
15	B18-19	170806	MANIGLIA	POIGNEE	DOOR HANDLE	TÜRGRIFF
16		130420	PULSANTE "CICLO"	BOUTON CYCLE	WASH CYCLE SWITCH	SCHALTER WASCHZYKLUS
17		130419	PULSANTE "RISC. FREDDO"	BOUTON RINCAGE FROID	COLD RINSE SWITCH	SCHALTER KALTWASSERNACHSPULUNG
18		200809	GUARNIZIONE OR	O-RING	O-RING	O-RING
19		330841	BUSSOLA PULSANTE	DOUILLE	BUSHING	BUCHSE
20		190629	BUSSOLA ASTA	DOUILLE	BUSHING	BUCHSE
21		200431	GUARNIZIONE	JOINT	GASKET	DICHTUNG



P O S.	M.	CODICE	DESCRIZIONE	DENOMINATION	DESCRIPTION	BEZEICHNUNG
1	B15	460784	TARGA COMANDI	PANNEAU	CONTROL PANEL	SCHALTAFEL
1	B18	460713	TARGA COMANDI	PANNEAU	CONTROL PANEL	SCHALTAFEL
2		130136	LAM. SPIA "IN FUNZIONE"	LAMPE TEMOIN	INDICATOR LAMP	LEUCHTLAMPE
3		130135	LAM. SPIA "PRONTA"	LAMPE TEMOIN	INDICATOR LAMP	LEUCHTLAMPE
4		130134	LAM. SPIA "ACCESA"	LAMPE TEMOIN	INDICATOR LAMP	LEUCHTLAMPE
		460776	TARGHETTA	PLAQUETTE	PLATE	SCHILD
6		450316	MANOPOLA	POIGNEE	KNOB	KNEBEL
7		440817	ANELLO ELASTICO	ANNEAU RESORT	SNAP RING	FEDERSPERRING
8		160733	TAPPO	BOUCHON	PLUG	PFROFFEN
9		460775	TARGHETTA MARCHIO	PLAQUE	NAME PLATE	MARKENSCHILD
10		190117	SUPPORTO CONTEN.	SUPPORT CONTAINER	SUPPORT CONTAINER	HALTERUNG GLANZMITTELBEH
11		260237	VITE TCP BRUNITA M5 x 25	VIS	SCREW	SCHRAUBE
12		190809	CONTENIT. BRILLANT.	CONTAINER PROD. RINC.	RINSE AID CONT	GLANZMITTELBEHÄLTER
13		120225	TIMER 120"	PROGRAMMATEUR	TIMER	ZEITSCHALTER
14		320670	PIASTRA SUPP. TIMER	SUPPORT PROGRAMMATEUR	SUPPORT TIMER	SUPPORT ZEITSCHALTER
15		120712	INTERRUPT. GENERALE	INTERRUPTEUR	SWITCH	EINSCHALTER
16	B15	160743	TAPPO CON SIMBOLO	BOUCHON - MODELE	MACHINE SYMBOL	MODELL BEZEICHNUNG
16	B18	160745	TAPPO CON SIMBOLO	BOUCHON - MODELE	MACHINE SYMBOL	MODELL BEZEICHNUNG



P O S.	M	CODICE	DESCRIZIONE	DENOMINATION	DESCRIPTION	BEZEICHNUNG
1		520126	INSERTO BICCHIERI	INTERCALAIRE POUR VERRES	RACK INSERT	GLAESEREINSATZ
2		660714	CESTELLO BICCHIERI	PANIER POUR VERRES	GLASS RACK	GLAESERKORB
3		660712	CESTELLO BASE	PANIER BASE	COMBINATION RACK	BASISKORB