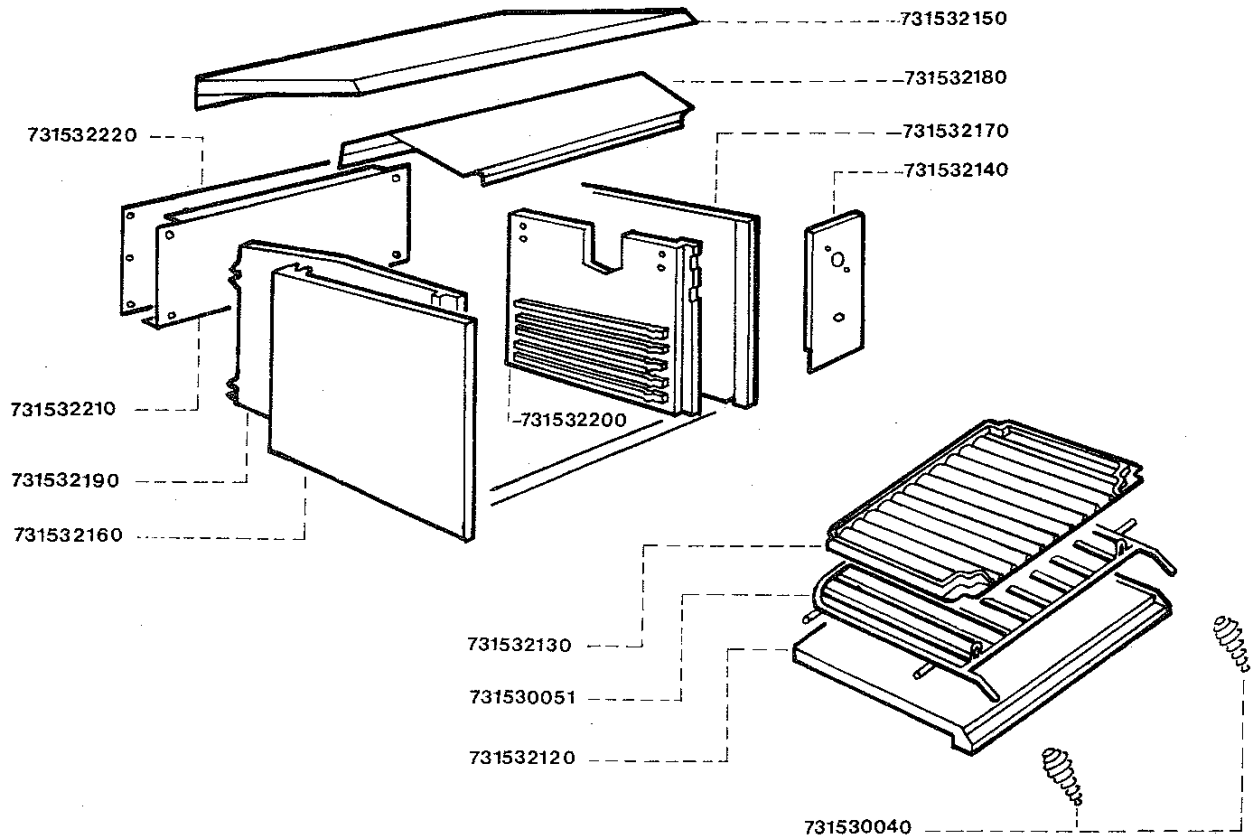


# E1502 STEAKHOUSE GRILL

# GRILL FITMENTS



Code No.	Description
3B 731530040	Handle for Grid/Carrier.
3F 731530051	Grid/Carrier Wire only.
6F 731530110	Grid/Carrier c/w Handles (not illustrated).
8E 731532120	Drip Tray.
7G 731532130	Brander.
11C 731532140	Control Panel.
2F 731532150	Outer Top Panel.
6D 731532160	Outer Side Panel — Left Hand.
6D 731532170	Outer Side Panel — Right Hand.
2D 731532180	Reflector Plate.
1E 731532190	Inner Side Panel — Left Hand.
1E 731532200	Inner Side Panel — Right Hand.
7D 731532210	Inner Back Panel.
9C 731532220	Outer Back Panel.

Sheet Reference Number

**E1500/0884/007**

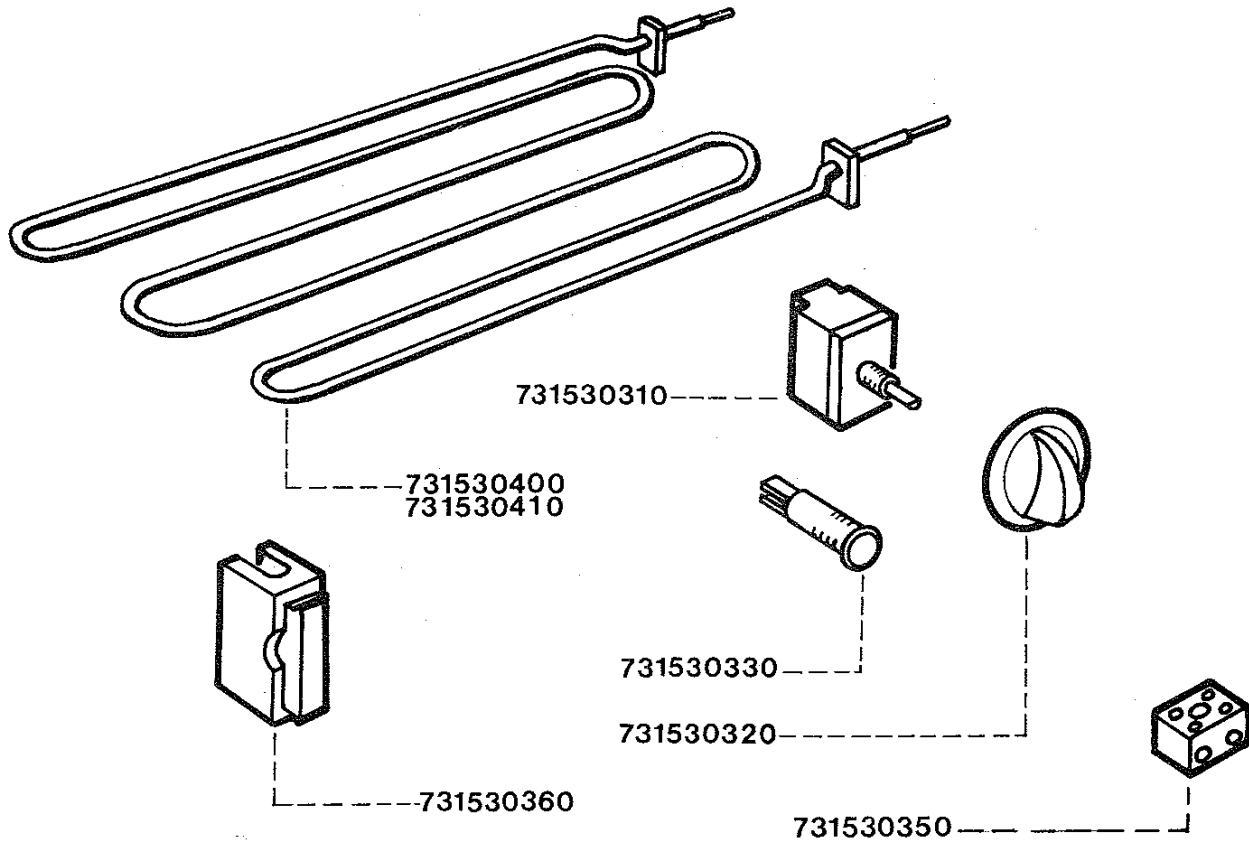
**Falcon Catering  
Equipment**  
Commercial and institutional  
catering equipment



Falcon Catering Equipment is a  
business name of  
Clynwed Consumer & Building Products Ltd  
a member of the  
Clynwed International plc  
group of companies

# E1502 STEAKHOUSE GRILL

# GRILL CONTROLS



Code No.	Description
12D 731530300	Simmerstat Control Switch c/w Knob (not illustrated).
9D 731530310	Simmerstat Control Switch.
6B 731530320	Control Knob.
7B 731530330	Indicator Lamp — Red.
2B 731530350	Terminal Block 2 Way.
11B 731530360	Fuse Carrier and Base.
10F 731530400	Element 240V.
10F 731530410	Element 220V.

Sheet Reference Number

**E1500/0884/008**

**Falcon Catering  
Equipment**  
Commercial and institutional  
catering equipment



Falcon Catering Equipment is a  
business name of  
Clywed Consumer & Building Products Ltd  
a member of the  
Clywed International plc  
group of companies