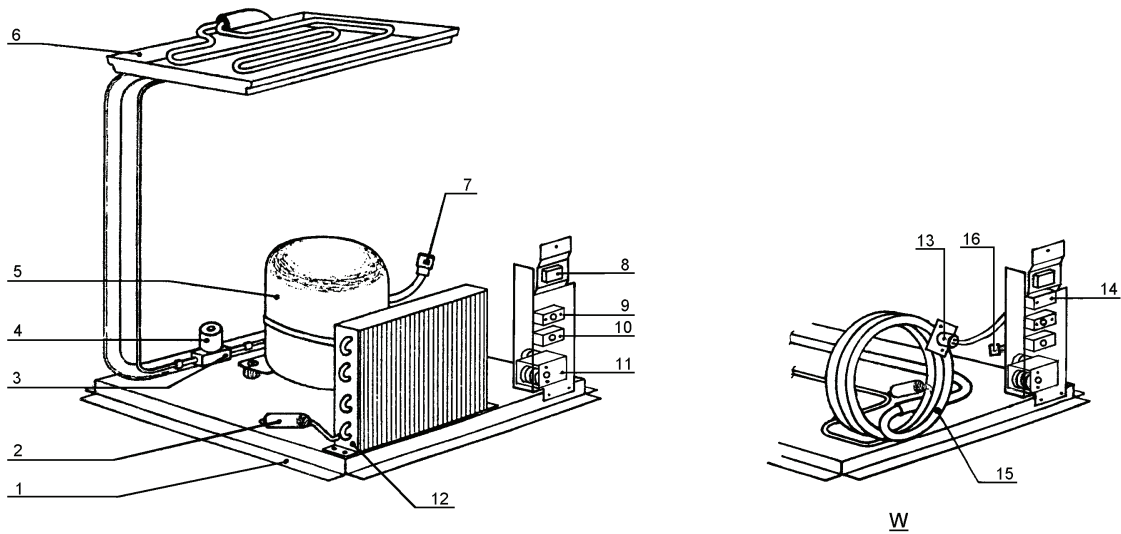


Ref.	Description	Refrigerant	A/W	Tension	Code
1	Foamed cabinet assy				C11014
2	Sprayers feeding pipe				13005
3	Pump suction filter				20005
4	Sprayers bar assembly				C20029
5	Sprayers bar plug				10012
6	Sprayer				D20002
7	Evaporator basin assembly				C10267
8	Overflow tube assembly				C10133
9	Plastic nipple water outlet				10007
10	Rear grid				D12006
11	Discharges manifold		A		C10006
11	Discharges manifold		W		C26452
12	Inlet watervalue 1 way		A	1-2	23001
12	Inlet watervalue 1 way		A	3	23260
12	Inlet watervalue 2 ways		W	1-2	23010
12	Inlet watervalue 2 ways		W	3	23261
13	Ice cubes slide				D12008
14	Rear panel assembly				C22130
15	Evaporator cover				10023
16	Top assembly				C22692
17	Flags support assy				C22035
18	Door assembly				C10297
19	Bulb thermostat tube				20522
20	Front grid panel				22508
21	Grid+frame				C10205
22	Filtering panel				18106
23	Foot h.100 mm				10040
24	Suction impeller				10213
25	Hub+washer+screw				10014
26	Pump			1-2	23002
26	Pump			3	23264
27	Pump delivery pipe				13019
28	Pump suction pipe				13021
30	Overflow pipe				13108

Note: Code 22508 for model with switch on - off (green). For model without switch on - off (green) Code 22111.
 Code C10133 from serial no. 64086. Previous serial no. code 13030.
 Code 13108 from serial no. 64086. Previous serial no. code 13030.
 Code 20522 from serial no. 94753. Previous serial no. code 20017.

COOLING SYSTEM ASSEMBLY Mod. CB425 A/W - Cube A (Cod. 24351)



Ref.	Description	Refrigerant	A/W	Tension	Code
1	Base plate				21013
2	Molecular drier				14009
3	Hot gas valve body				20410
4	Hot gas coil			1-2	23091
4	Hot gas coil			3	23256
5	Compressor	R404A		1	23505
5	Compressor	R404A		2	23495
5	Compressor	R404A		3	23464
5	Compressor	R22		1	23320
5	Compressor	R22		2	23344
5	Compressor	R22		3	23370
6	Evaporator				D10046
7	Vacuum-charge valve device				14005
7	Vacuum-charge valve plug				14006
7	Vacuum- charge valve body				14007
8	Green light switch				23327
9	Bin thermostat				23005
10	Evaporator thermostat				23591
11	Timer			1	23222
11	Timer			2	23248
11	Timer			3	23259
12	Air condenser		A		20019
13	Safety thermostat		W		C23114
14	Condenser pressure switch		W		23175
15	Water condenser		W		14014
16	Anti radio interference filter		W	1	23457

Note: Code 23222 from September 1992. Before Code 23003.

Erklärung zu Ersatzteillisten in den Spalten Tension-Spannung

1	Spannung	220-240V	50Hz
2	Spannung	220-230V	60Hz
3	Spannung	110 115V	60Hz
4	Spannung	230V3P	50Hz
5	Spannung	400V	50Hz
6	Spannung	220-230V3P	60Hz
7	Spannung	440-460V3P	60Hz