



## Pizza & Pasta Rührmaschinen

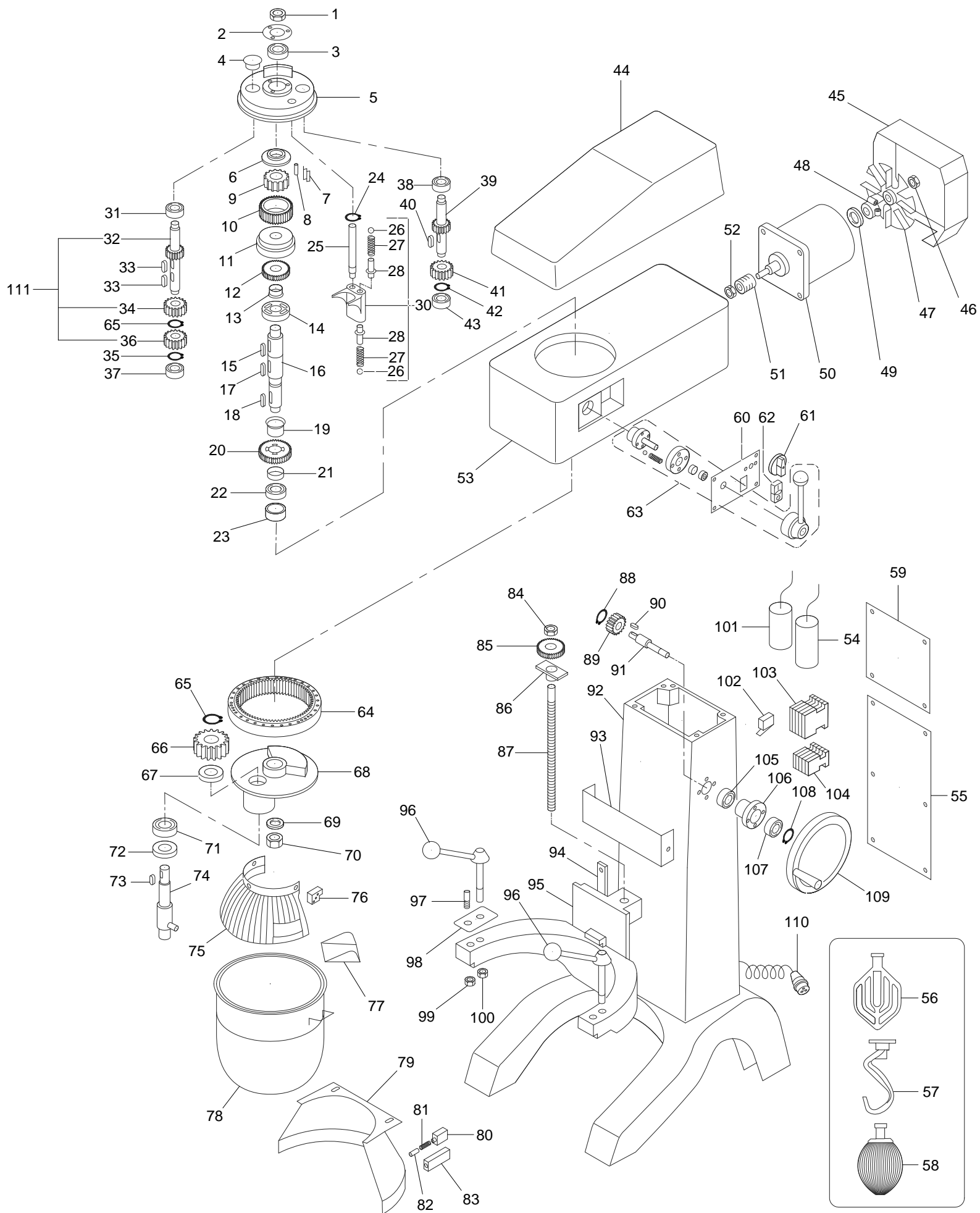
Artikel-Nr. 511003 (IP/30F), 511004 (IP/40F)

---

### Explosionszeichnung / Ersatzteile

---

Bitte bei Ersatzteilbestellung immer Artikelnummer und Seriennummer mit angeben!



## IP30-40-60-80F

Pos. Ref.	Codice Code	Caratteristiche Features	Descrizione Description
3	SL3125	6204 2RS - (IP30-40F)	Cuscinetto Bearing
3	CO2896	6207 2RS - (IP60-80F)	Cuscinetto Bearing
6	CO0562	(IP30-40F)	Distanziale Spacer
6	CO0563	(IP60-80F)	Distanziale Spacer
7	CO0564	(IP30-40F)	Molla Spring
7	CO0565	(IP60-80F)	Molla Spring
8	CO0568	(IP30-40F)	Perno Pivot
8	CO0569	(IP60-80F)	Perno Pivot
9	CO0566	(IP30-40F)	Inserto Insert
9	CO0567	(IP60-80F)	Inserto Insert
10	CO0570	(IP30-40F)	Ingranaggio Gear
10	CO0571	(IP60-80F)	Ingranaggio Gear
11	CO0572	(IP30-40F)	Distanziale Spacer
11	CO0573	(IP60-80F)	Distanziale Spacer
12	CO0576	(IP30-40F)	Ingranaggio Gear
12	CO0577	(IP60-80F)	Ingranaggio Gear
13	CO0574	(IP30-40F)	Boccola Bush
13	CO0575	(IP60-80F)	Boccola Bush
14	CO0578	(IP30-40F)	Spessore Shim
14	CO0579	(IP60-80F)	Spessore Shim
15	SL3899	6x6x40 - (IP30-40F)	Linguetta Key
15	SL3905	10x10x50 - (IP60-80F)	Linguetta Key
16	CO0580	(IP30-40F)	Albero Shaft
16	CO0581	(IP60-80F)	Albero Shaft
17	SL3908	3/16"x3/16"x30 - (IP30-40F)	Linguetta Key
17	SL3904	10x10x40 - (IP60-80F)	Linguetta Key
18	SL3899	6x6x40 - (IP30-40F)	Linguetta Key
18	SL3906	10x10x90 - (IP60-80F)	Linguetta Key
19	CO0582	(IP30-40F)	Boccola Bush
19	CO0583	(IP60-80F)	Boccola Bush
20	CO0586	(IP30-40F)	Ingranaggio Gear
20	CO0587	(IP60-80F)	Ingranaggio Gear
21	CO0584	(IP30-40F)	Boccola Bush
21	CO0585	(IP60-80F)	Boccola Bush
22	SL2735	6206 2RS - (IP30-40F)	Cuscinetto Bearing
22	SL3912	5211A 2RS - (IP60-80F)	Cuscinetto Bearing
23	CO4979	ø40xø62x12 - (IP30-40F)	Paraolio Oil seal
23	SL3917	ø55xø80x12 - (IP60-80F)	Paraolio Oil seal
24	SL3896	ø19 - (IP60-80F)	Seeger Seeger
30	CO0588	(IP30-40F)	Forcella Fork
30	CO0589	(IP60-80F)	Forcella Fork
31	SL0131	6203 2RS - (IP30-40F)	Cuscinetto Bearing
31	SL0118	6205 2RS - (IP60-80F)	Cuscinetto Bearing
32	CO0591	(IP60-80F)	Albero Shaft
33	SL3902	8x8x25 - (IP60-80F)	Linguetta Key
34	CO0593	(IP60-80F)	Ingranaggio Gear
35	SL3898	ø35 - (IP60-80F)	Seeger Seeger
36	CO0595	(IP60-80F)	Ingranaggio Gear
37	SL0131	6203 2RS - (IP30-40F)	Cuscinetto Bearing
37	SL0118	6205 2RS - (IP60-80F)	Cuscinetto Bearing
38	SL2472	6202 2RS - (IP30-40F)	Cuscinetto Bearing
38	SL0118	6205 2RS - (IP60-80F)	Cuscinetto Bearing
39	CO0596	(IP30-40F)	Albero Shaft
39	CO0597	(IP60-80F)	Albero Shaft
40	SL3909	1/4"x1/4"x20 - (IP30-40F)	Linguetta Key
40	SL3907	8x7x28 - (IP60-80F)	Linguetta Key
41	CO0598	(IP30-40F)	Ingranaggio Gear
41	CO0599	(IP60-80F)	Ingranaggio Gear
42	SL3896	ø19 - (IP30-40F)	Seeger Seeger
42	SL3720	ø30 - (IP60-80F)	Seeger Seeger
43	SL2472	6202 2RS - (IP30-40F)	Cuscinetto Bearing
43	SL0118	6205 2RS - (IP60-80F)	Cuscinetto Bearing
44	CO0600	(IP30-40F)	Coperchio Cover
44	CO0601	(IP60-80F)	Coperchio Cover
45	CO0602	(IP30-40F)	Coperchio Cover
45	CO0603	(IP60-80F)	Coperchio Cover
50	CO0604	230V/1Ph/50Hz (IP30F)	Motore Motor
50	CO0605	400V/3Ph/50Hz (IP30F)	Motore Motor
50	CO0606	400V/3Ph/50Hz (IP40F)	Motore Motor
50	CO0607	400V/3Ph/50Hz (IP60F)	Motore Motor
50	CO0608	400V/3Ph/50Hz (IP80F)	Motore Motor
51	CO0609	(IP30-40F)	Puleggia Pulley
51	CO0610	(IP60-80F)	Puleggia Pulley
54	CO0644	400µF (IP30F)	Condensatore Condenser
56	ACRF30BR	(IP30F)	Spatola Spatula
56	ACRF40BR	(IP40F)	Spatola Spatula

56	ACRF60BR		(IP60F)	Spatola	Spatula
56	ACRF80BR		(IP80F)	Spatola	Spatula
57	ACRF30HK		(IP30F)	Uncino	Hook
57	ACRF40HK		(IP40F)	Uncino	Hook
57	ACRF60HK		(IP60F)	Uncino	Hook
57	ACRF80HK		(IP80F)	Uncino	Hook
58	ACRF30WP		(IP30F)	Frusta	Whisk
58	ACRF40WP		(IP40F)	Frusta	Whisk
58	ACRF60WP		(IP60F)	Frusta	Whisk
58	ACRF80WP		(IP80F)	Frusta	Whisk
61	CO0611		(IP60-80F)	Timer	Timer
62	SA1052	●		Pulsante	Push button
63	CO0612		Assembly (IP30-40F)	Leva	Lever
63	CO0613		Assembly (IP60-80F)	Leva	Lever
64	CO0614		(IP30-40F)	Cremagliera	Rack
64	CO0615		(IP60-80F)	Cremagliera	Rack
65	SL3896		∅19 - (IP30-40F)	Seeger	Seeger
65	SL3720		∅30 - (IP60-80F)	Seeger	Seeger
66	CO0616		(IP30-40F)	Ingranaggio	Gear
66	CO0617		(IP60-80F)	Ingranaggio	Gear
67	SL3125		6204 2RS - (IP30-40F)	Cuscinetto	Bearing
67	CO2896		6207 2RS - (IP60-80F)	Cuscinetto	Bearing
68	CO0618		(IP30-40F)	Coperchio	Cover
68	CO0619		(IP60-80F)	Coperchio	Cover
71	SL0118		6205 2RS - (IP30-40F)	Cuscinetto	Bearing
71	SL3913		6208 2RS - (IP60-80F)	Cuscinetto	Bearing
72	SL3916		∅28x∅52x7 - (IP30-40F)	Paraolio	Oil seal
72	SL3918		∅40x∅80x12 - (IP60-80F)	Paraolio	Oil seal
73	SL3909		1/4"x1/4"x20 - (IP30-40F)	Linguetta	Key
73	SL3903		10x10x35 - (IP60-80F)	Linguetta	Key
74	CO0620		(IP30-40F)	Albero	Shaft
74	CO0621		(IP60-80F)	Albero	Shaft
75	CO0622		(IP30F)	Coperchio	Cover
75	CO0623		(IP40F)	Coperchio	Cover
75	CO0624		(IP60F)	Coperchio	Cover
75	CO0625		(IP80F)	Coperchio	Cover
76	CO5105			Blocchetto	Pad
77	CO0626		(IP30-40F)	Scivolo	Chute
77	CO0627		(IP60-80F)	Scivolo	Chute
78	ACRF30BL		(IP30F)	Pentola	Pan
78	ACRF40BL		(IP40F)	Pentola	Pan
78	ACRF60BL		(IP60F)	Pentola	Pan
78	ACRF80BL		(IP80F)	Pentola	Pan
79	CO0628		(IP30F)	Protezione	Protection
79	CO0629		(IP40F)	Protezione	Protection
79	CO0630		(IP60F)	Protezione	Protection
79	CO0631		(IP80F)	Protezione	Protection
80	CO0514	●		Microinterruttore	Microswitch
81	CO5102			Molla	Spring
82	CO5103			Perno	Pivot
83	CO5104			Supporto	Support
85	CO0632		(IP30-40F)	Ingranaggio	Gear
85	CO0633		(IP60-80F)	Ingranaggio	Gear
87	CO0634		(IP30-40F)	Vite senza fine	Endless screw
87	CO0635		(IP60-80F)	Vite senza fine	Endless screw
88	SL3896		∅19	Seeger	Seeger
89	CO0636		(IP30-40F)	Ingranaggio	Gear
89	CO0637		(IP60-80F)	Ingranaggio	Gear
90	SL0010		5x5x10	Linguetta	Key
91	CO0638		(IP30-40F)	Perno	Pivot
91	CO0639		(IP60-80F)	Perno	Pivot
96	CO0642		(IP30-40F)	Coppia leve	Pair of levers
96	CO0643		(IP60-80F)	Coppia leve	Pair of levers
101	CO0526		30µF (IP30F)	Condensatore	Condenser
102	CO0527	●		Microinterruttore	Microswitch
103	32Z4840	●	(IP30-40F)	Teleruttore	Remote control switch
103	SL3029	●	(IP60-80F)	Teleruttore	Remote control switch
104	CO0554		230V/1Ph/50Hz (IP30F)	Termico	Thermic
104	SL2886		400V/3Ph/50Hz (IP30-40F)	Termico	Thermic
104	SL3579		400V/3Ph/50Hz (IP60-80F)	Termico	Thermic
105	SL3914		HK2020 - (IP60-80F)	Cuscinetto	Bearing
107	SL3914		HK2020 - (IP60-80F)	Cuscinetto	Bearing
108	SL0075		∅20	Seeger	Seeger
109	CO0640		(IP30-40F)	Volantino	Handwheel
109	CO0641		(IP60-80F)	Volantino	Handwheel
111	CO0590		(IP30-40F)	Albero	Shaft

(\*): fuori produzione / out of production

●: ricambio consigliato / spare part suggested