

www.atasrl.com

Modello
Modello
Modello
Modello

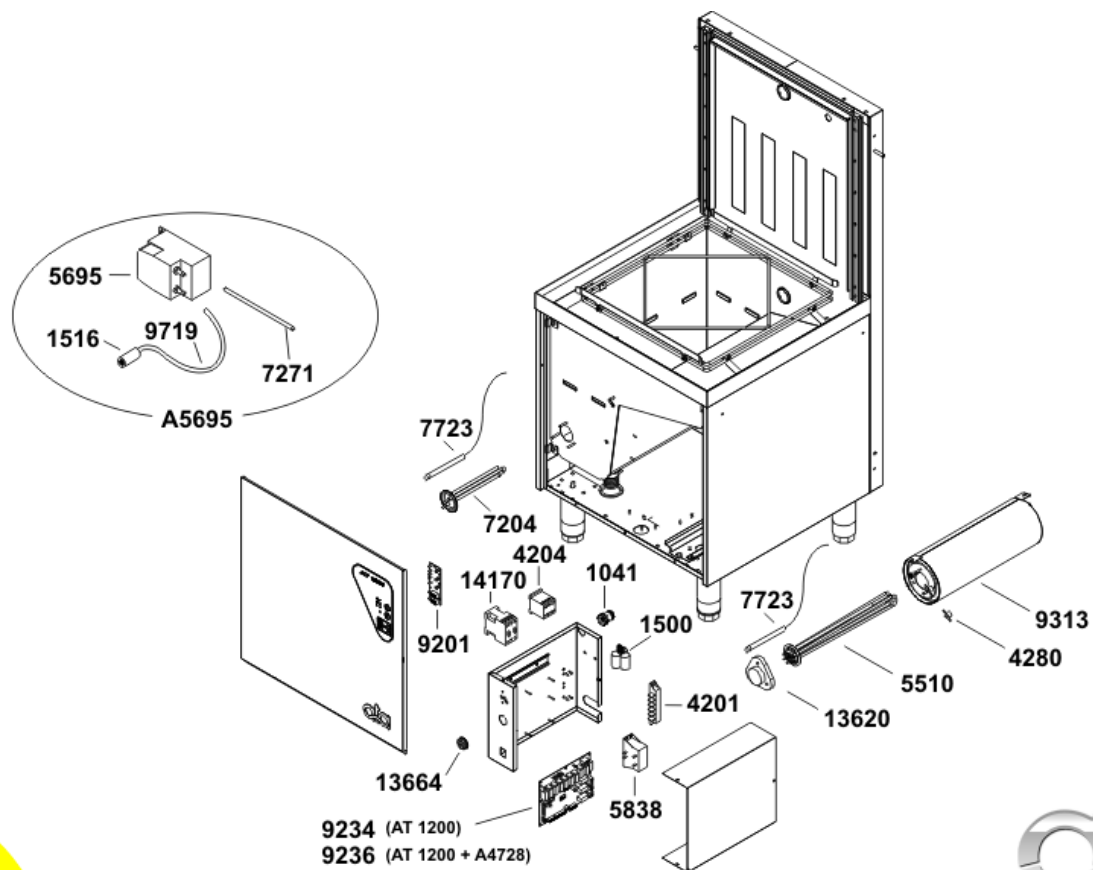
AT 1200

Dis. n° EM.AT.052

Data: 01/01/16



A.T.A. S.R.L. 35026 CONSELVE (PD) ITALY VIALE DEL PROGRESSO 20 - Z. I. PHONE 049/9500555 (4 LINEE R.A.) FAX 049/9500560



www.atasrl.com

Modello
Modèle
Model
Model

AT 1200

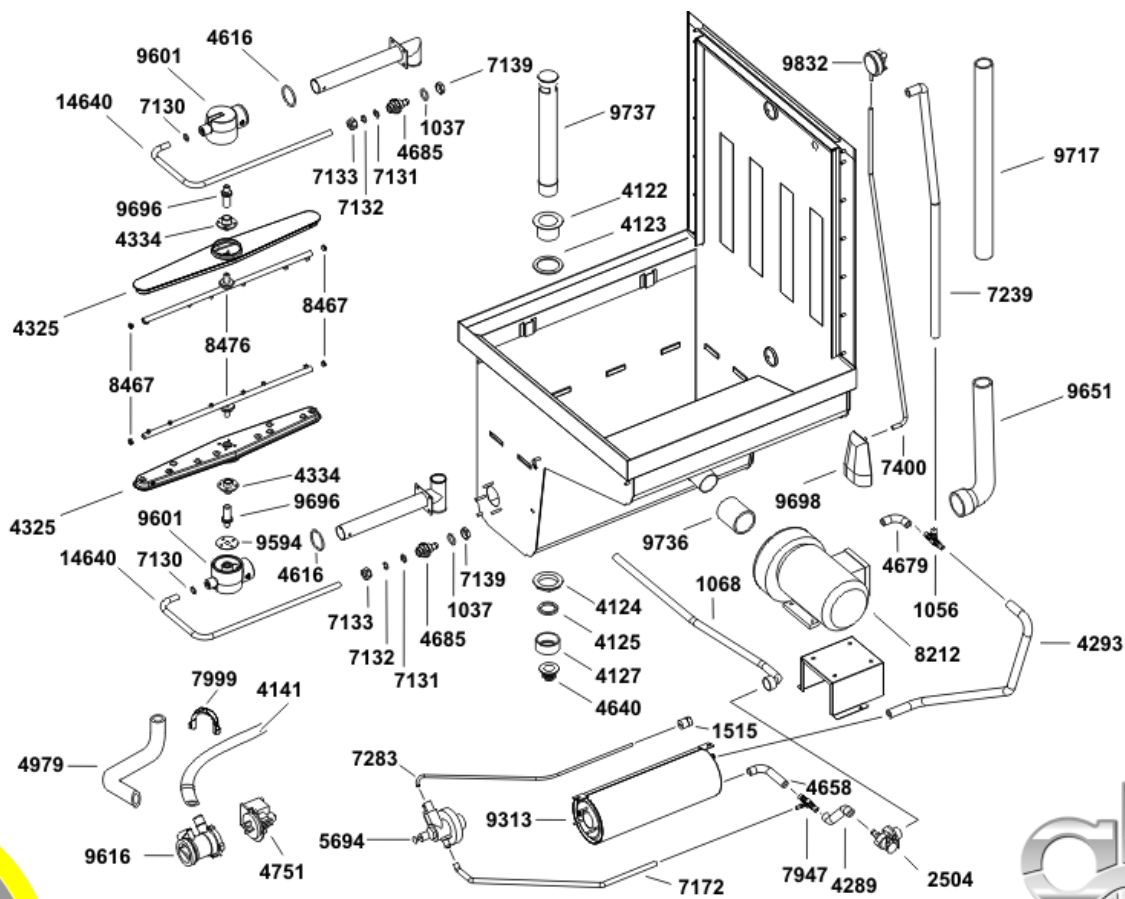
Dis. n° EE.AT.053

Data: 01/01/16



Professional dishwashers

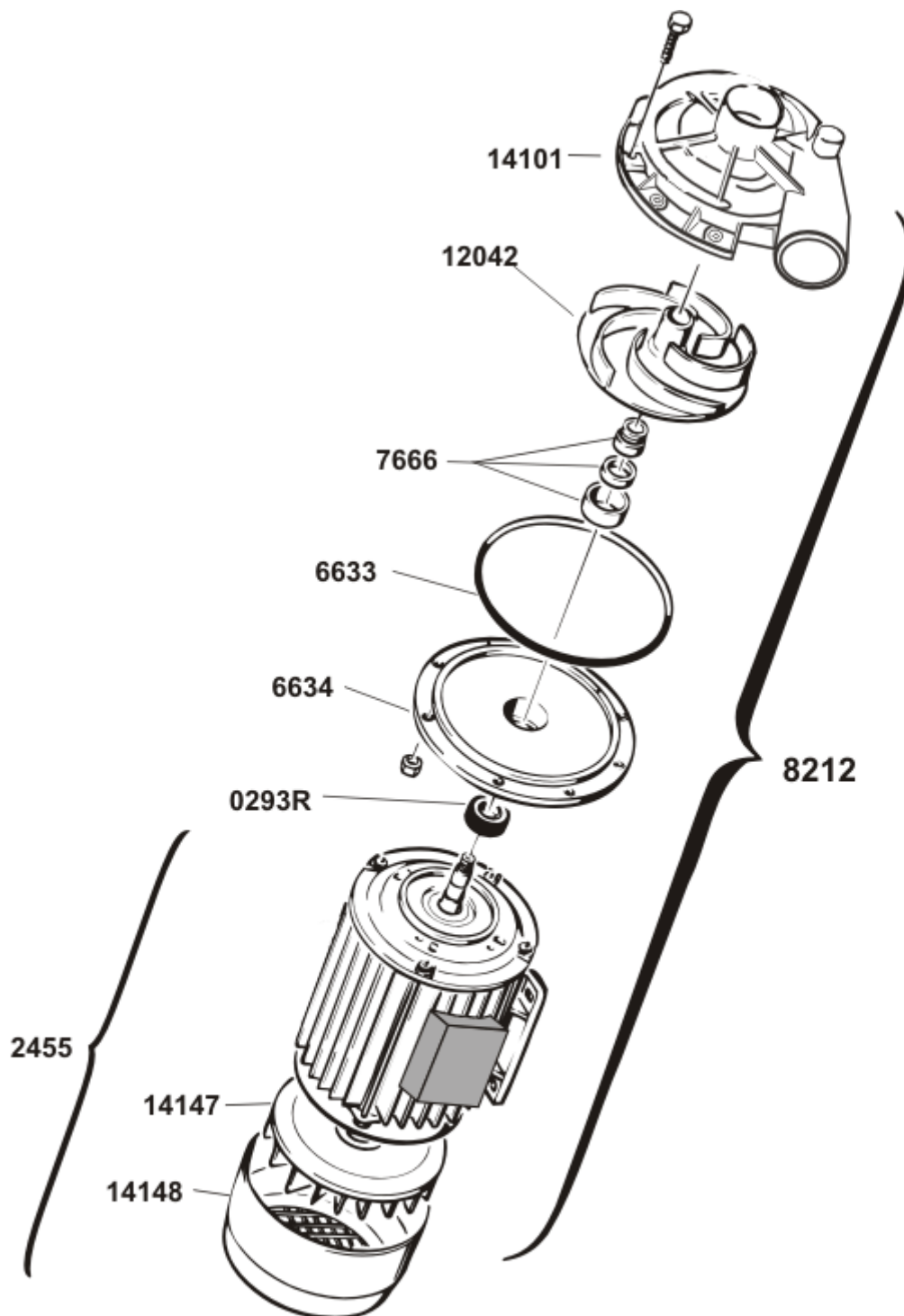
A.T.A. S.R.L. 35026 CONSELVE (PD) ITALY VIALE DEL PROGRESSO 20 - Z. I. PHONE 049/9500555 (4 LINEE R.A.) FAX 049/9500560



Modello
Modelle
Model
Modell
AT 950 / 1200 + A4728 Dis. n° EI.AT.050 Data: 01/01/16



A.T.A. S.R.L. 35026 CONSELVE (PD) ITALY VIALE DEL PROGRESSO 20 - Z. I. PHONE 049/9500555 (4 LINEE R.A.) FAX 049/9500560



Modelo
Modèle
Model
Model

ELETTROPOMPA 0.95 kW



Dis. N °EE.P045

Data: 01-01-08

A.T.A. S.R.L. 35026 CONSELVE (PD) ITALY VIALE DEL PROGRESSO 20 - Z. I. PHONE 049/9500555 (4 LINEE R.A.) FAX 049/9500560