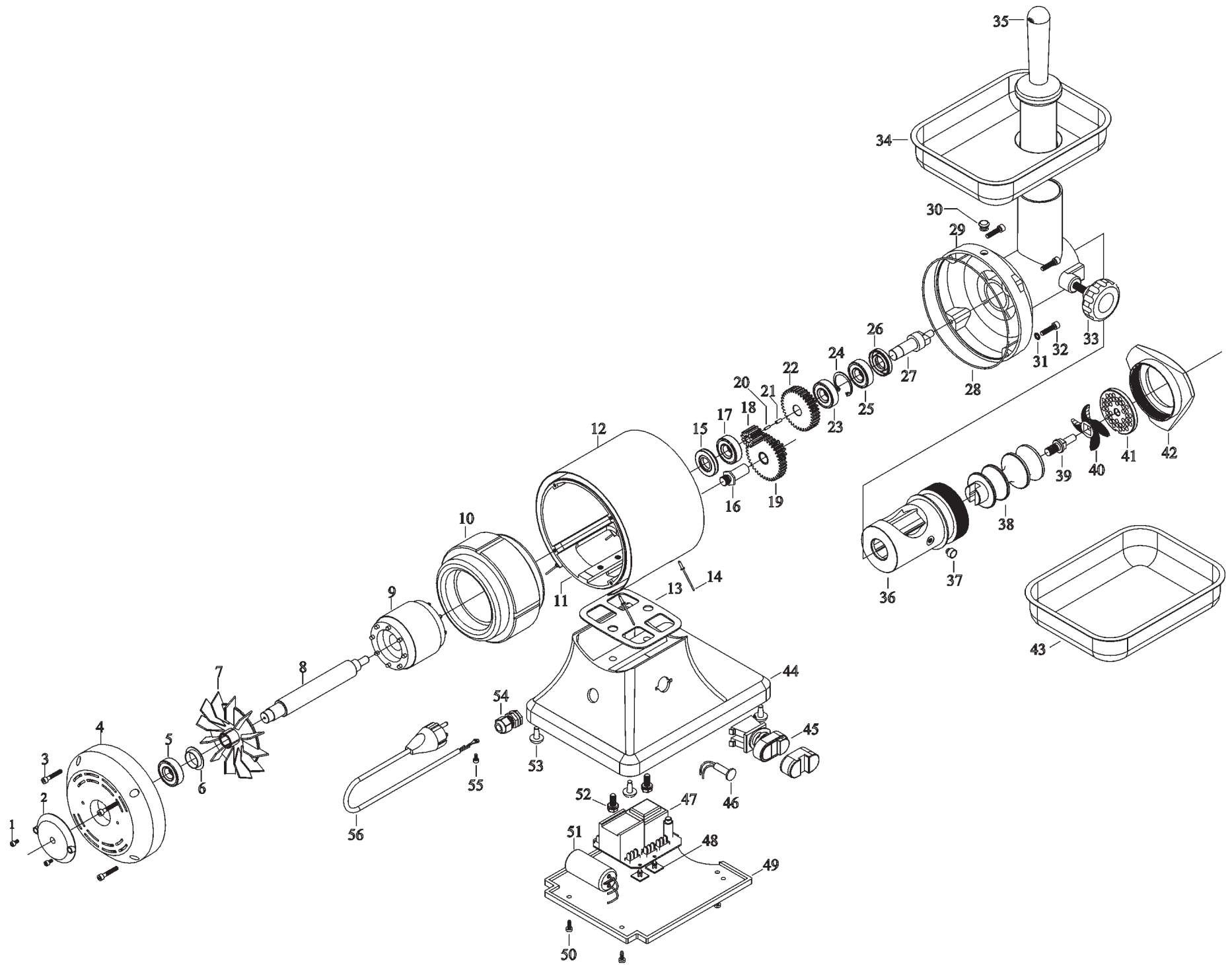


Vorbereitung
Fleischwölfe

Artikel-Nr. 421001
21122412F(TC 12 E CE)

Explosionszeichnung



Name
Zeichnung TC 12E CE TAV. UNICA

:

Ref.	Produktname	Artikel-Nr
02	DISCO DI CHIUSURA TC/TCG/GF	MF2002
04	CALOTTA VENTILATA GF-TC12-22E	MF2087
05	CUSCINETTO PUL. MNI 6203 ZZ	19320204
06	ANELLO FISSAGGIO GF-TC12-22E	MF2145
07	VENTOLA GF-TC12-22E	MF2146
08	ALBERO MOTORE VENT. TC12E	MF2147
09	ROTORE MN TC/TCG12E	MF2095A
09	ROTORE TF TC/TCG12E	MF2095B
10	STATORE V230/50 MN TC/TCG12E	MF2096
10	STATORE V400/50 TF TC/TCG12E	MF2097
11	CARCASSA VENT. TC/TCG12-22E	MF2148
12	FASCIA INOX TC/TCG12-22E	MF2100
13	GUARNIZIONE BASE TC12E	MF2353
15	PARAOLIO 40X25X7 TC/TCG12-22E	MF2101
16	PERNO PORTA-INGRANAGGIO TC/TCG	MF2102
17	CUSC.PUL.FLAN.GLL-PLD ING.6203 2RS	19320203
18	INGRANAGGIO ELICA TC/TCG12-22E	MF2104
19	INGRANAGGIO DOPPIO TC/TCG12-22E	MF2106
20	CHIAVETTA 3X15	MF2606
21	CHIAVETTA 4X12	MF2607
22	INGRANAGGIO GRANDE TC/TCG12-22E	MF2107
23	CUSCINETTO PUL. MNI 6203 ZZ	19320204
24	SEGER DA 40 TC12-22E	MF2108
25	CUSC.PUL.FLAN.GLL-PLD ING.6203 2RS	19320203
26	PARAOLIO 40X25X7 TC/TCG12-22E	MF2101
27	PERNO TRASCINATORE TC/TCG	MF2109
28	ANELLO OR 164,5X2 TC/TCG12-22E	MF2351
29	BOCCHETTONE TC TC/TCG12E	MF2110

30	TAPPO OLIO IN GOMMA TC/TCG	MF2112
31	RONDELLA DI TENUTA TC/TCG	MF2352
33	POMELLO FERMA BOCCA TC/TCG	MF2115
34	TRAMOGGIA FORO DA 52 TC/TCG12E	MF2113
35	PESTELLO TC/TCG 12E	MF2114
36	BOCCA TC IN ALL. TC/TCG12E	MF2119
36	BOCCA TC IN GHISA TC/TCG12E	MF2117
36	BOCCA TC INOX TC/TCG12E	MF2118
37	GRANO MOD. 12 TC/TCG12E	MF2116
38	COCLEA IN ALLUMINIO TC/TCG12E	MF2122
38	COCLEA IN GHISA TC/TCG12E	MF2123
38	COCLEA INOX TC/TCG12E	MF2124
39	PERNO PORTA COLTELLO TC/TCG12E	MF2127
42	VOLANTINO IN ALL. TC/TCG12E	MF2132
42	VOLANTINO INOX TC/TCG12E	MF2133
43	CONTENITORE CARNE TC/TCG12E	MF2047
44	BASE TC12E	MF2137
45	PULSANTIERA 24V. TC/TCG12-22E	MF2138
46	SPIA LUMINOSA ON/OFF TC/TCG	MF2192
47	SCHEDA BT 24V.230/50 MN TC/TCG	MF2140
47	SCHEDA BT 24V.400/50 TF TC/TCG	MF2141
48	PIEDINI ADESIVI TC/TCG	MF2026
49	FONDINO ABS GF-TC/TCG12E	MF2142
51	CONDENSATORI 16MF TC/TCG12E	MF2144
53	PIEDINI IN GOMMA TC/TCG	MF2031
54	PRESSACAVO OBO PG 11	19410805
56	CAVO ALIM.COMP. MN SUKO UNIFI	19410502
56	CAVO ALIM.COMP. TF ITALIA UNI	19410506