

1

532004100

541130600 (94)
541118100 (98)

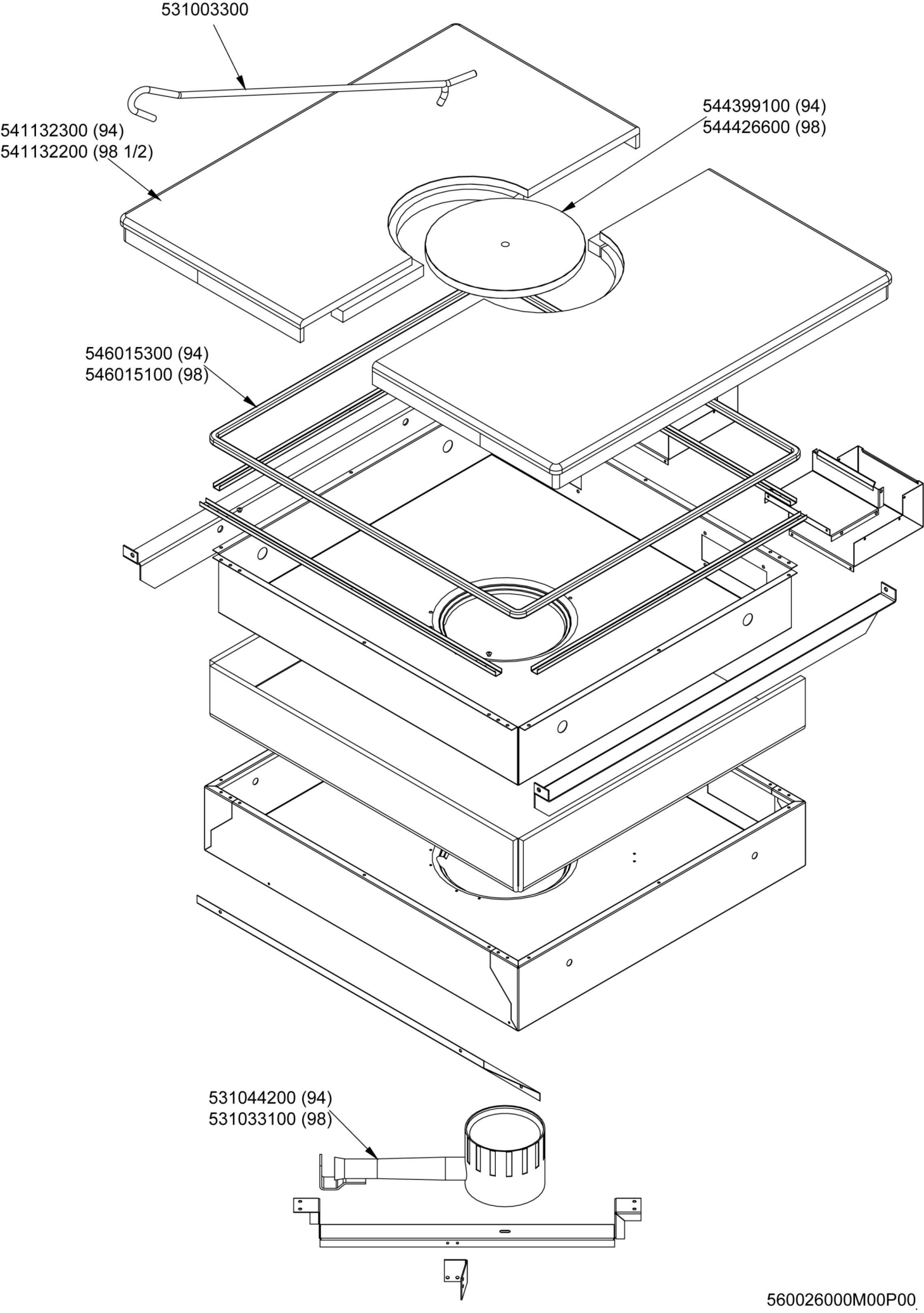
544407400

541106300 (94)
541109900 (98)

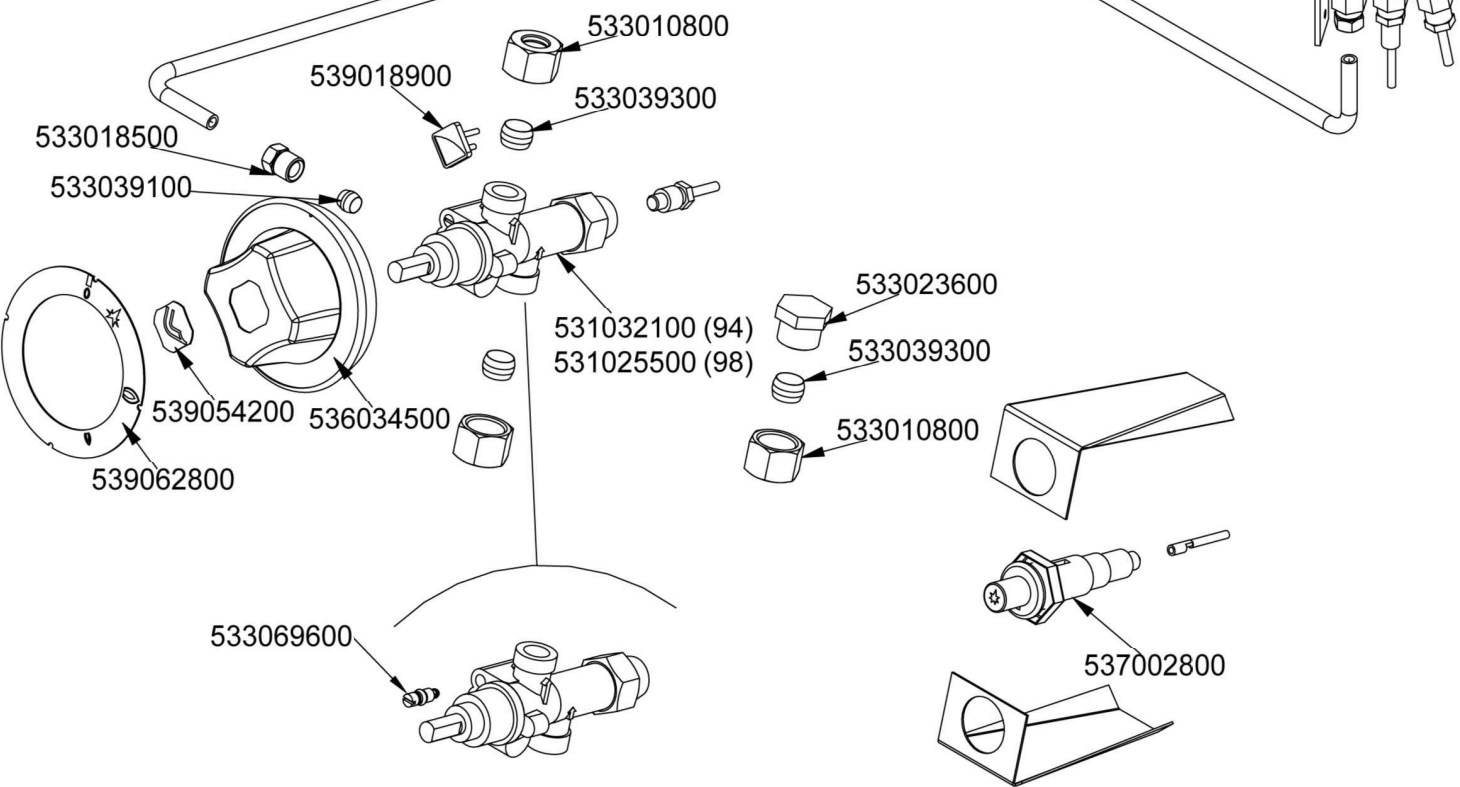
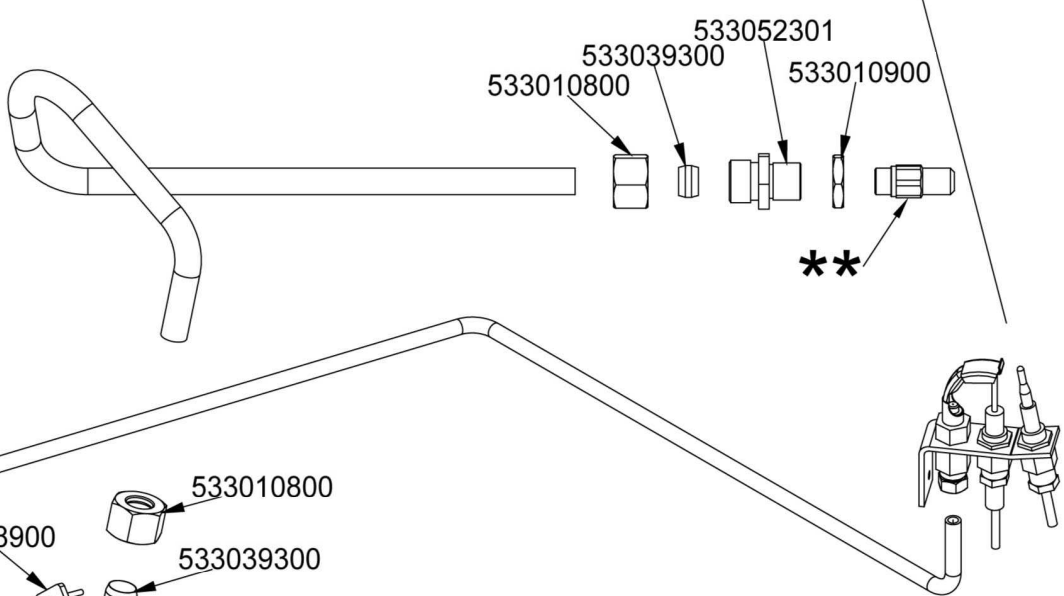
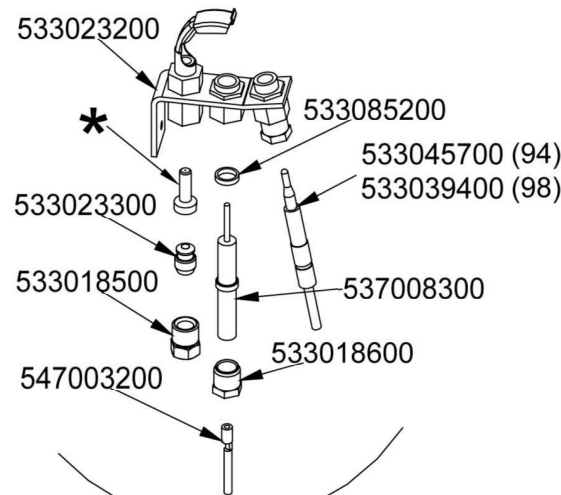
544407300

536005200

560025500M01P00



	*	**	**
		TP-94	TP-98
G30-28+30mbar G31- 37mbar	533020500	533057700	533019600
G30- 50mbar	533020500	533057600	533046200
G20- 20mbar G25- 25mbar	533020600	533047400	533057500
G20- DE-AT	533020600	533047400	533057500
G25- 20mbar	533020600	533047300	533032801
G25- NL	533020600	533047500	533032001
G20- 25mbar	533020600	533046400	



Page	Pos	Code	Description
001		532004100	FLUE GRID L=370 90LINE (RAF
001		541118100	UPPER PLATE TP-98G TPF-98G
001		544407400	LEFT SIDE PANEL 70 LINE
001		541109900	CONTROL PANEL TP-78G
001		544407300	RIGHT SIDE PANEL 90 LINE
001		536005200	INOX LEG 2" 120-180 M10
002		531003300	TP-PLATE LIFTING HOOK
002		541132300	PLATE TP-94G
002		541132200	PLATE TP-98G (1/2
002		544399100	PLATE RING FOR TP-74G TP-94G
002		544426600	PLATE RING FOR TP-98G
002		546015300	SQUARE BRAID 12*12*L=1821
002		546015100	SQUARE BRAID OF INSULATING MATERIAL
002		531044200	CIRCULAR BURNER TP D.066
002		531033100	BURNER TP..-78G
003		533023200	TARGET PILOT + NIPPLE TC BRAC.90°
003		533085200	SPACER FOR PILOT PLUG
003		533045700	THERMOCOUPLE M9*1 500
003		533039400	THERMOCOUPLE M9*1*850
003		533023300	BICONE §6 ("TARGET" PILOT
003		537008300	ROUND PLUG §2,4- LONG ELECTRODE
003		533018500	FITTING FOR BICONE D.6 M10*1
003		547003200	HIGH-VOLTAGE CABLE TUBE.§2 L=500
003		533018600	PLUG FITTING
003		533010900	NUT M14*1 H.4
003		533052301	JOINT FOR NOZZLE HOLDER
003		533039300	BICONE §10
003		533010800	TUBE NUT D.10 M16*1,5
003		539018900	INDEX FOR KNOB W/RED SIGN
003		533039100	BICONE §6
003		539062800	RED STICKING DISK 72
003		539054200	STAMP O20,5 CR."L" LOTUS R.
003		536034500	KNOB §77 4P. §08*6,5
003		531032100	GAS COCK 21S P.V.BY-PASS O100
003		531025500	GAS COCK 21S P.V.BY-PASS O130
003		533023600	TAP PLUG §10 M16*1, 5CH19
003		533069600	BY PASS COCK §130 20S-21S
003		537002800	PIEZOELECTRIC IGNITION M18 WITH NUT
003		533020500	NOZZLE 0.140 §19
003		533020600	NOZZLE 0.140 §27
003		533057700	NOZZLE §130A CH12*30 F-BRF74
003		533057600	NOZZLE §115A CH12*30 G-BRF74
003		533047400	NOZZLE §195 CH12*30 M-BM8
003		533047300	NOZZLE §215 CH12*30 L-BM8
003		533047500	NOZZLE §205 CH12*30 ML-BM-8G
003		533046400	NOZZLE §185 CH12*30 G-CPM
003		533019600	NOZZLE §165 CH12*30 MH-FT5 H-FT6
003		533046200	NOZZLE §150 CH12X30 L-BR TP
003		533057500	NOZZLE §260 CH12X30
003		533032801	NOZZLE §280 CH12*30 M-CPM
003		533032001	NOZZLE §270 CH12*30 MH-CPM