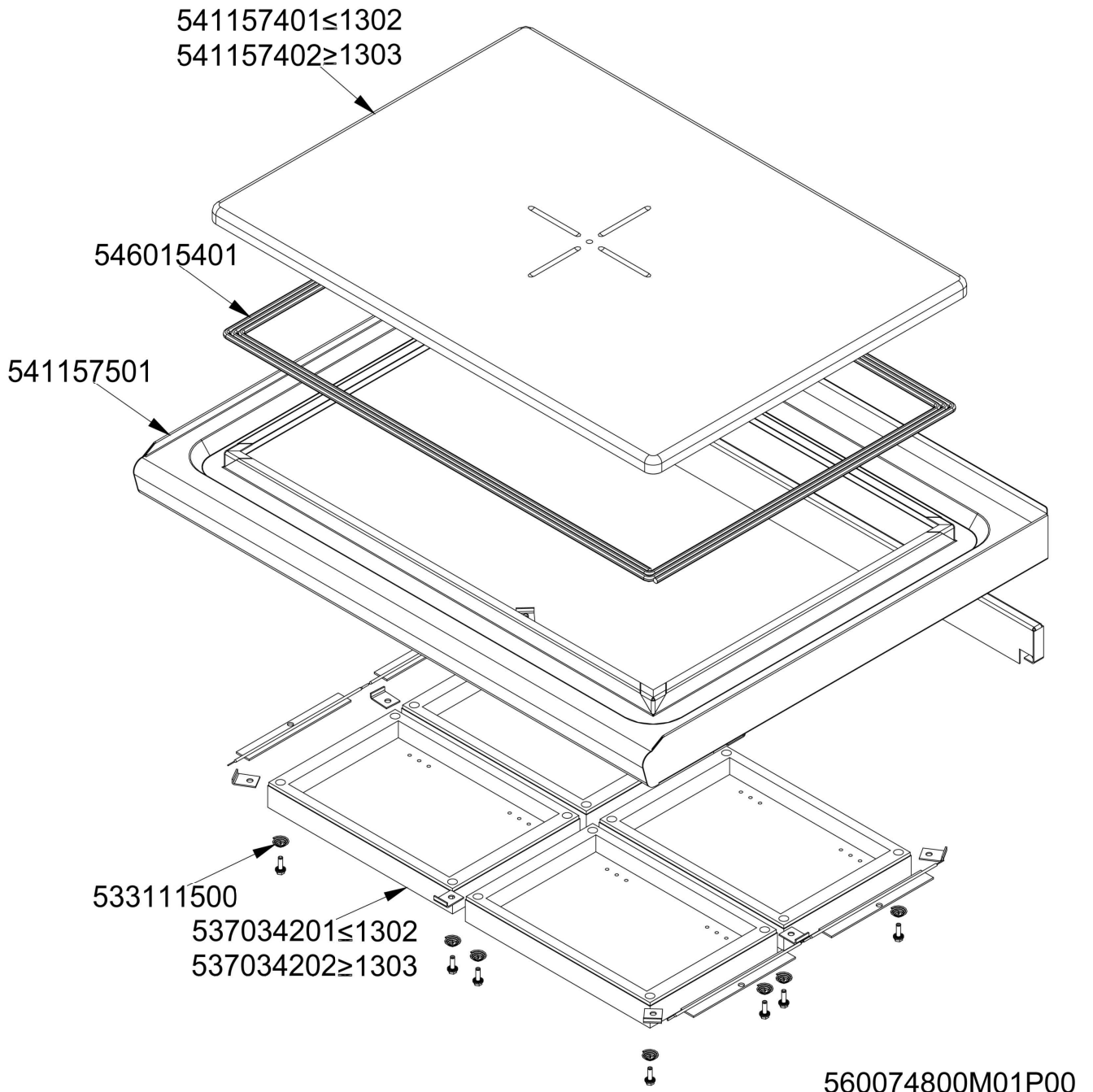


560074500M01P00



539018900

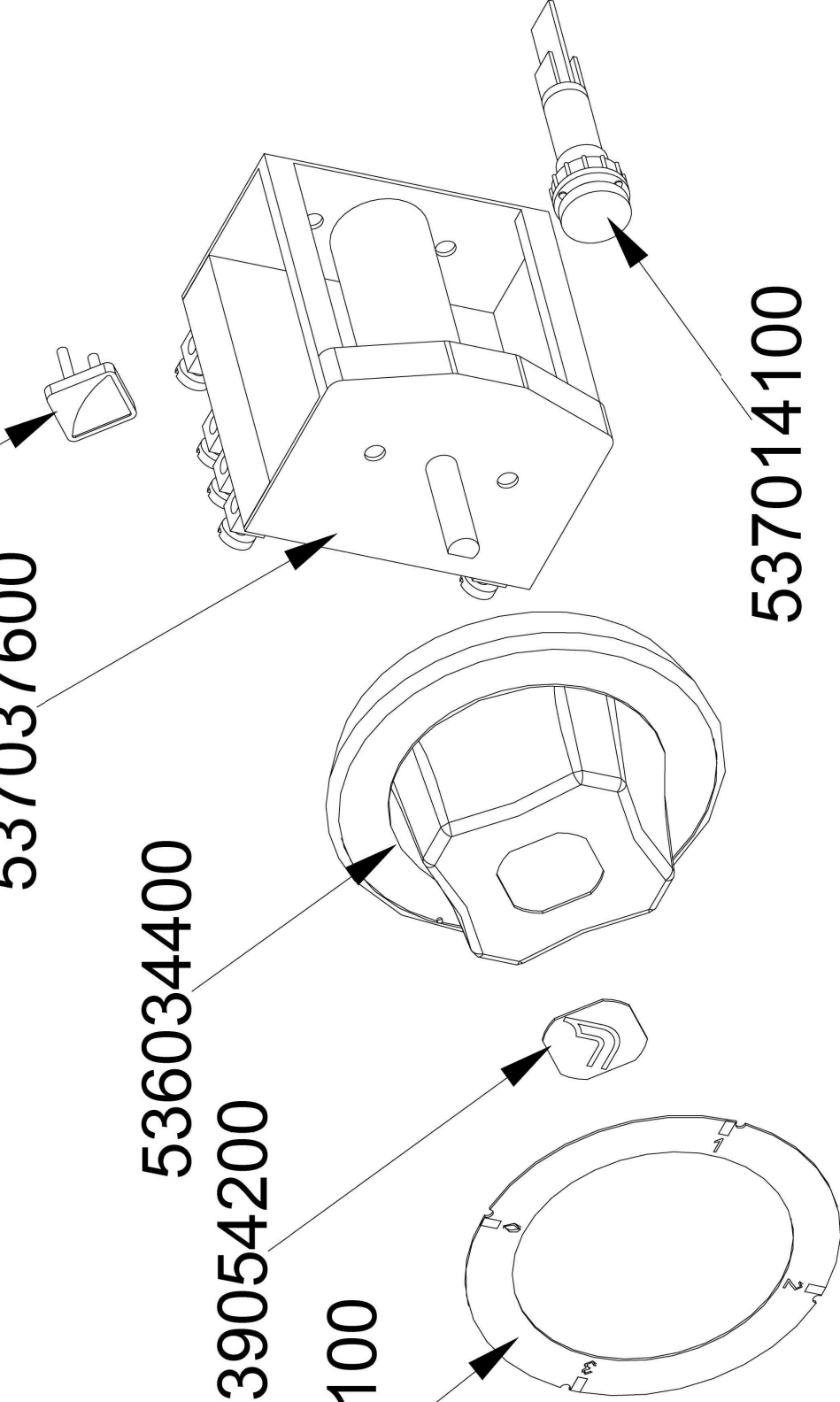
537037600

536034400

539054200

539060100

537014100



560100800M00P00

Page	Pos	Code	Description
001		541134600	LOW SPACER 78 2 GRIDS
001		532004100	FLUE GRID L=370 90LINE (RAF
001		537003800	TERMINAL BLOCK 3POLES 16A
001		544385600	LEFT SIDE OF 70T LINE
001		537027400	TERMINAL BLOCK THREEPHASE 40A
001		537000900	THERMOSTAT 063-320°C THREEPHASE
001		541104000	CONTROL PANEL PC-78E
001		544385500	RIGHT SIDE OF 70T LINE
001		533010500	LEG M10*25 D.40
002		541157401	OLD PLATE FOR TP-78E
002		541157402	PLATE S70 TP-78E
002		546015401	SQUARE PLAIT L.C.06X06 L6750
002		541157501	UPPER PLATE TP-78E
002		533111500	COIL SPRING INTØ7X18XØFILO1 H=10
002		537034201	HEATING ELEMENT 190X250 2500W230V3
002		537034202	HEATING ELEM.250X295 2500W 230V3
003		539060100	RED ADESIVE DISK FOR CPT-ET
003		539054200	STAMP Ø20,5 CR."L" LOTUS R.
003		536034400	KNOB §77 4P. §06*4,6 C/M
003		537037600	COMMUTATOR 4 POS.3PHASE S.43 32A
003		539018900	INDEX FOR KNOB W/RED SIGN
003		537014100	WHITE WARNING LIGHT 250V