



Würfeleisbereiter, Vollkegel, Luftk., 90 kg/24 h, 55 kg Speicher, Ablaufpumpe

Artikel-Nr.
711099 (CB955AHCDP)

Explosionszeichnung / Ersatzteile

Bitte bei Ersatzteilbestellung immer Artikelnummer und
Seriennummer mit angeben!



CB 955A HC

LIST OF THE EXPLODED VIEWS



SHELL ASSY CB 955A HC

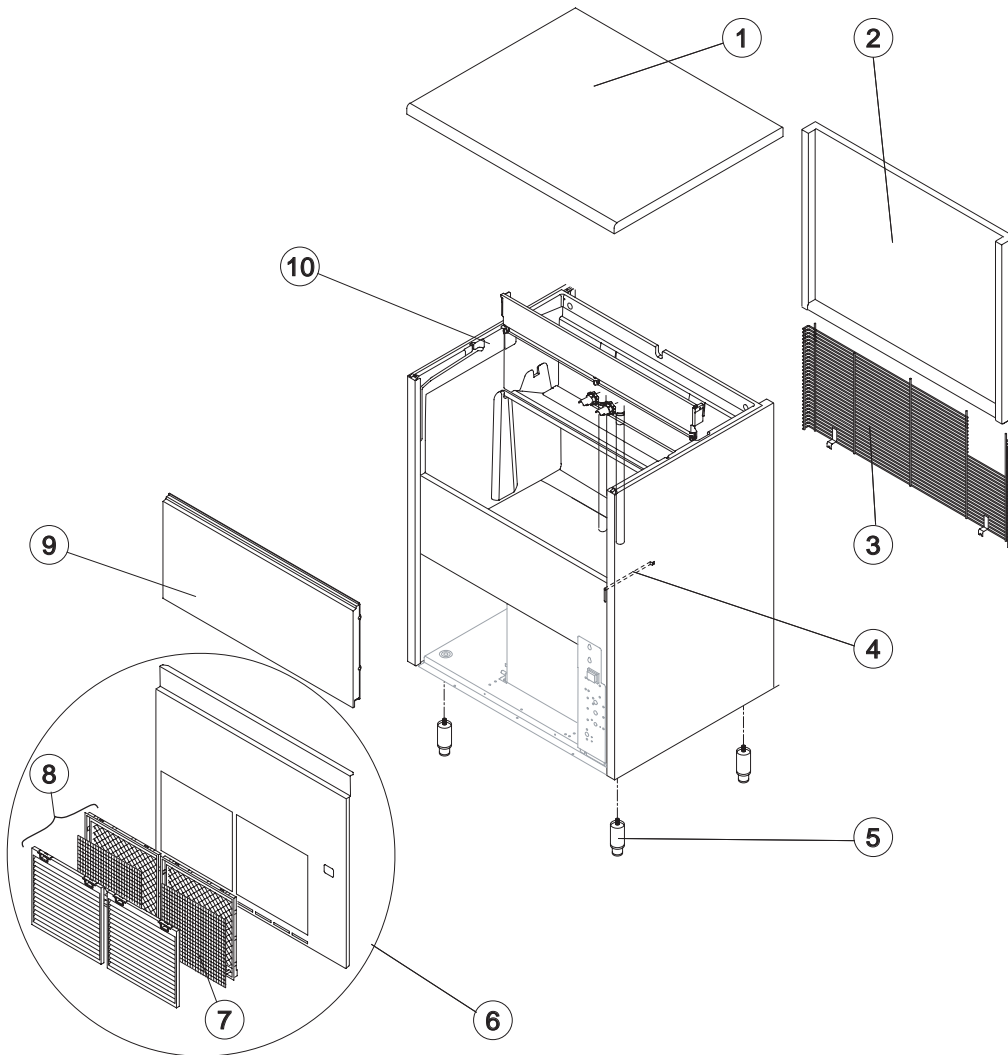
SHELL ASSY CB 955A HC Drain Pump

COOLING SYSTEM

HYDRAULIC CIRCUIT CB 955A HC

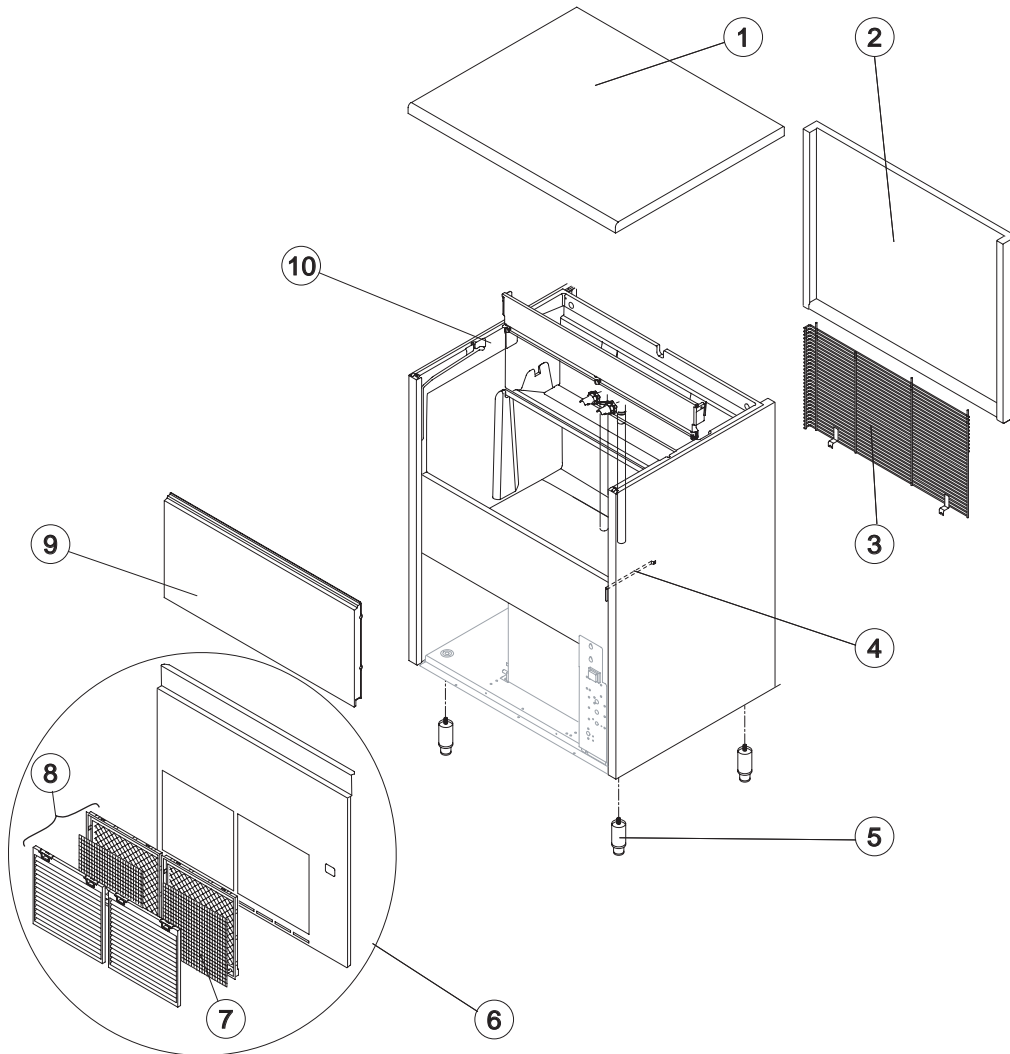
HYDRAULIC CIRCUIT CB 955A HC Drain Pump

ELECTRIC PARTS

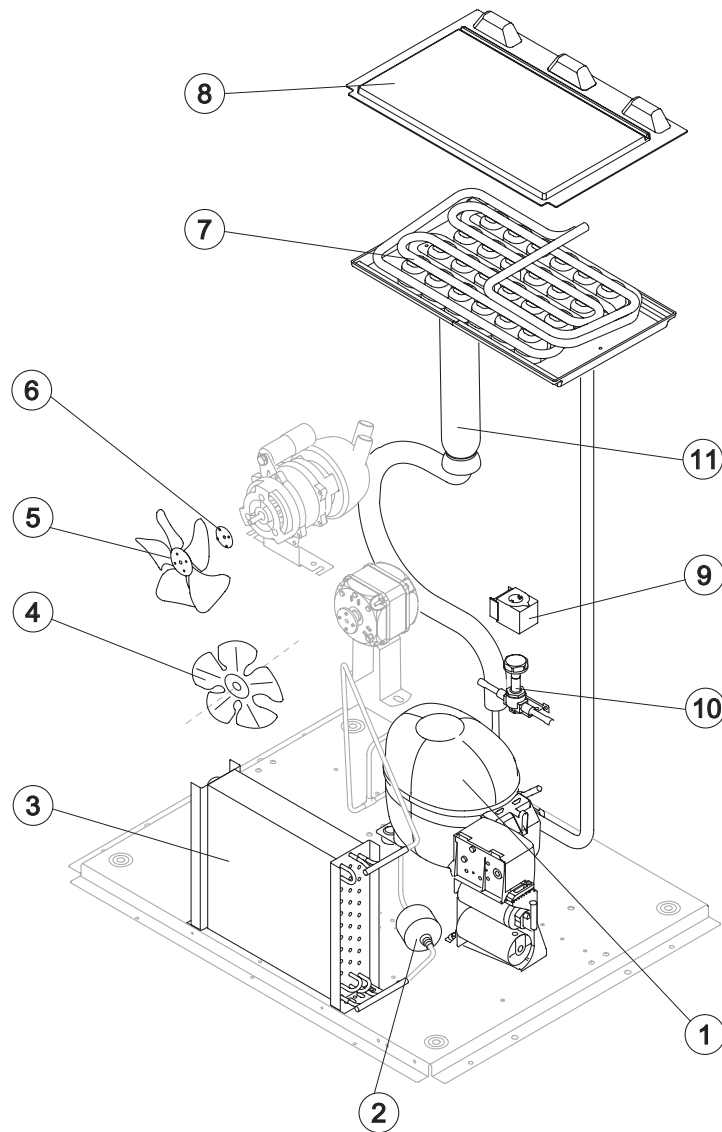


Ref.	Spare Description	Code
1	Top Assembly	C22673
2	Rear Panel Assembly	C21185
3	Rear Grid	D12015
4	Bulb-holder Pipe	20521
5	Adjustable Foot	20613
6	Front Grid Panel	C22510
7*	Filtering Panel	18106
8	Frame + Grid & Filter	C10205
9	Door Assembly	C10275
10	Foamed Cabinet Assy	C11040A

Rev. 01 - 14/04/2018



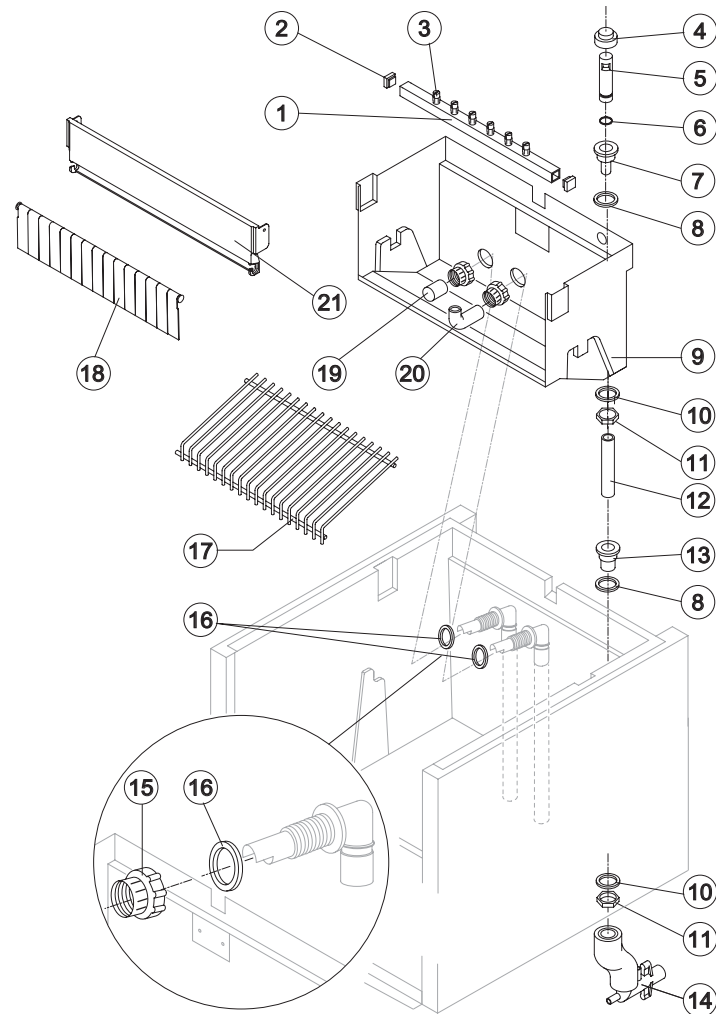
Ref.	Spare Description	Code
1	Top Assembly	C22673
2	Rear Panel Assembly	C21185
3	Rear Grid	D12102
4	ulb-holder Pipe	20521
5	Adjustable Foot	20613
6	Front Grid Panel	C22510
7*	Filtering Panel	18106
8	Frame + Grid & Filter	C10205
9	Door Assembly	C10275
10	Foamed Cabinet Assy	C11040DP



Ref.	Spare Description	Code
1	Compressor	231196
2*	Liquid line drier	141003
3	Air Condenser	Current Version 201223
3	Air Condenser	Till s/n.874826 201146
4	Sucking Fan	20153
5	Sucking Fan	10213
6	Hub for the Fan Fixing	10014
7	Evaporator	See Table
8	Evaporator Cover Panel	10448
9*	Hot Gas Valve Body	231294
10*	Hot Gas Valve Coil	201129
11	Suctin Line	for the spare parts code give us the s/n.

Ref. 7 - Evaporator

Kind of Cube	Code
18 g. (Standard)	D10047
33 g.	D10090
13 g.	D10418
42 g.	D10480



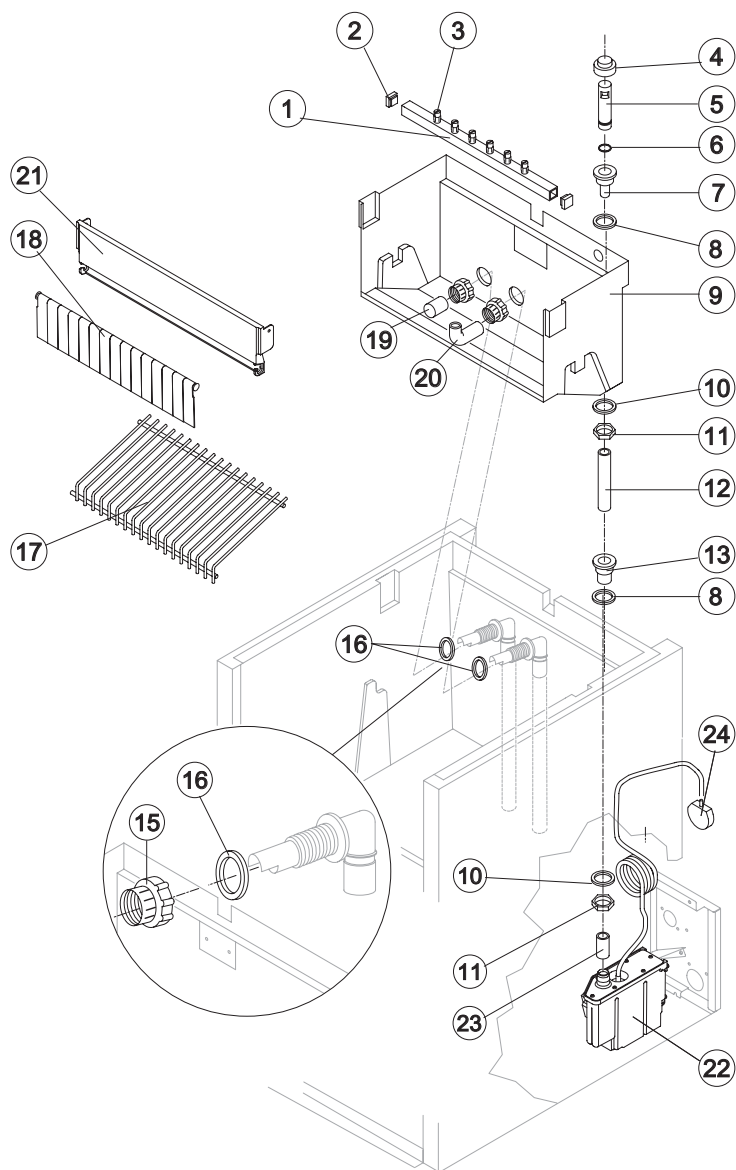
Ref.	Spare Description	Code
1*	Sprayers Bar Assembly	See Table
2	Sprayer Bar Plug	10012
3	Sprayer	D20002
4*	Overflow Cap	10305
5*	Overflow Pipe	10133
6*	OR Gasket for Overflow Pipe	20233
7	Overflow pipe nipple	10471
8	Silicone Gasket	13006
9	Inner Basin	10034
10	Semirigid Polyethylene Gasket	13007
11	Bin Discharge Nut	10096
12*	Overflow Pipe	13110
13	Water Outlet Nipple	10472
14	Discharges Manifold	C10006
15	Fittings Locking Ring	10405
16	Gasket for Pump Suction/Delivery Pipes	13143
17	Ice Cubes Slide	See Table
18	Rod with Flags	C10775
19*	Pump Suction Filter	20005
20	Sprayers Feeding Pipe	13005
21	Flags ABS Support	10760

Ref. 1* - Sprayers Bar Ass.

Kind of Cube	Code
18 g. (Standard)	C20058
33 g.	C20156
13 g.	C20190
42 g.	C20802

Ref. 17 - Ice Cubes Slide

Kind of Cube	Code
18 g. (Standard)	D12017
33 g.	D12031
13 g.	D12039
42 g.	D12071



Rif.	Descrizione Ricambio	Codice
1*	Sprayers Bar Assembly	See Table
2	Sprayer Bar Plug	10012
3	Sprayer	D20002
4*	Overflow Cap	10305
5*	Overflow Pipe	10133
6*	OR Gasket for Overflow Pipe	20233
7	Overflow pipe nipple	10471
8	Silicone Gasket	13006
9	Inner Basin	10034
10	Semirigid Polyethylene Gasket	13007
11	Bin Discharge Nut	10096
12*	Overflow Pipe	13110
13	Water Outlet Nipple	10472
14	Discharges Manifold	C10006
15	Fittings Locking Ring	10405
16	Gasket for Pump Suction/Delivery Pipes	13143
17	Ice Cubes Slide	See Table
18	Rod with Flags	C10775
19*	Pump Suction Filter	20005
20	Sprayers Feeding Pipe	13005
21	Flags ABS Support	10760
22	Drain Pump	C231225
23	Bin Discharge-Drain Pump Connection	C13175190
24	Drain Pump Pressure Switch	C231230

Ref. 1* - Sprayers Bar Ass.

Kind of Cube	Code
18 g. (Standard)	C20058
13 g.	C20190

Ref. 17 - Ices Cube Slide

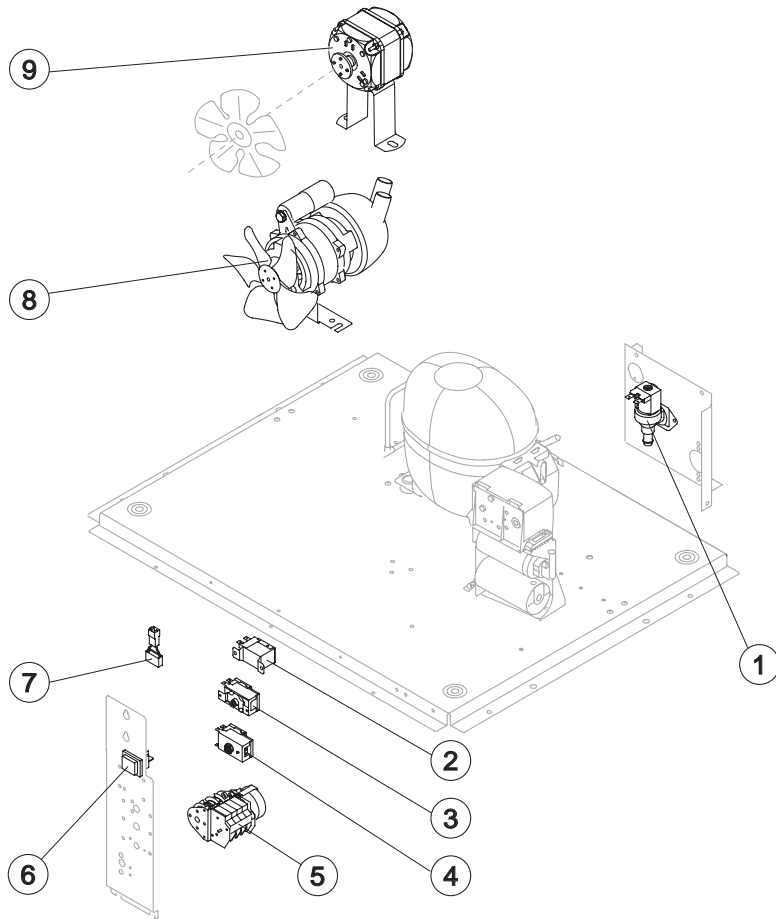
Kind of Cube	Code
18 g. (Standard)	D12017
13 g.	D12039



CB 955A HC

ELECTRIC PARTS

CB 955A HC / CB 955A HC DP



Ref.	Spare Description	Code
1*	1 Way- Water Inlet Valve	23115
2*	Fan cycle switch	231123
3*	Bin Thermostat	R23005
4*	Evaporator Thermostat	R23591
5*	Timer	See Table
6*	Green Light Switch (On-Off)	23327
7	Anti Radio Interference Filter	C23459
8*	Pump Assy	C23377
9*	Fan Motor	23067

Ref. 1* - 1 Way- Water Inlet Valve

Voltage	Cube 18g/13g	Cube 33g	Cube 42g
T11	23115	23001	23001

Ref. 5* - Timer

Voltage	Cube 18g	Cube 33g	Cube 13g	Cube 42g
T11	23222	23248	23247	23780