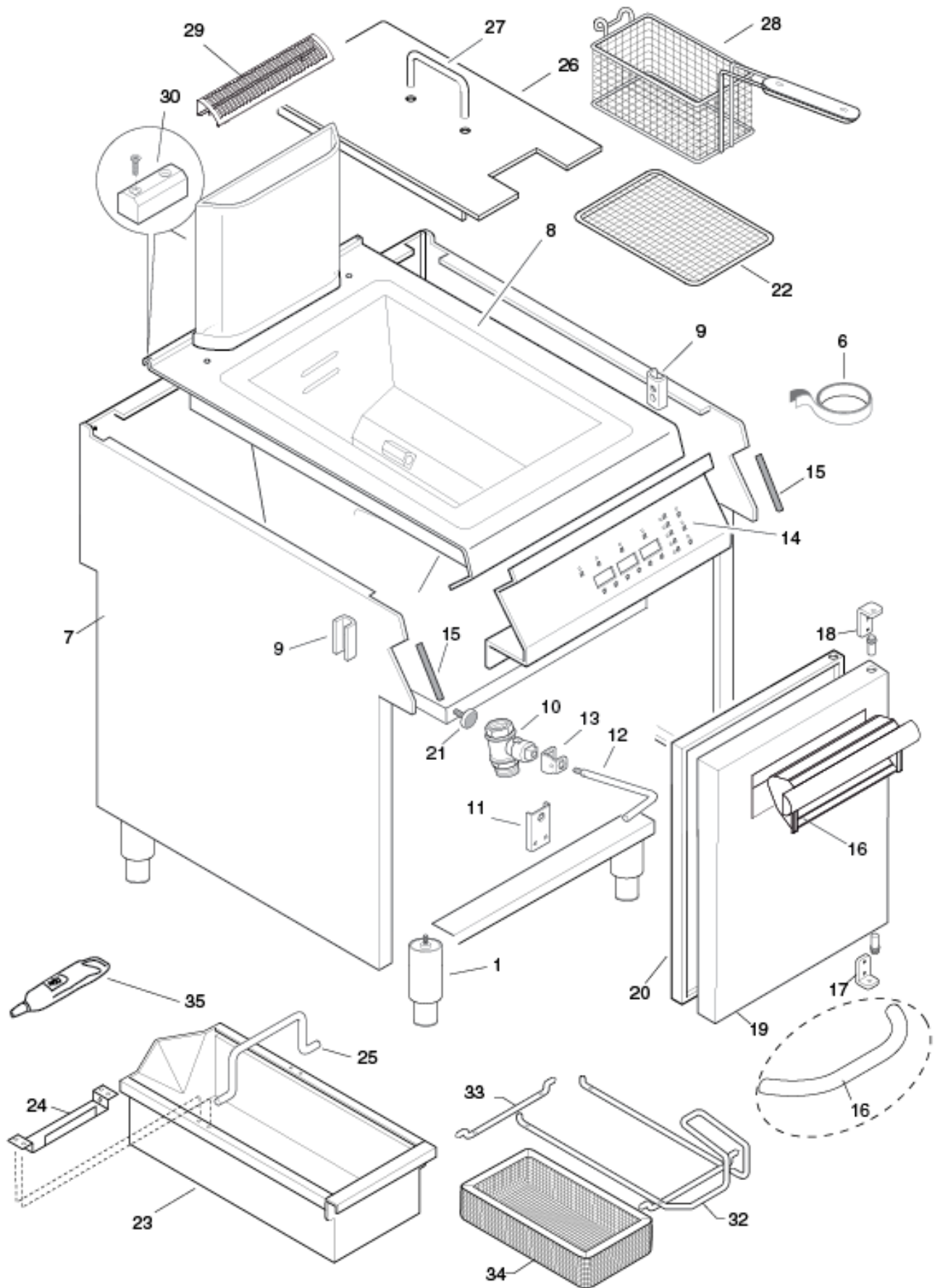


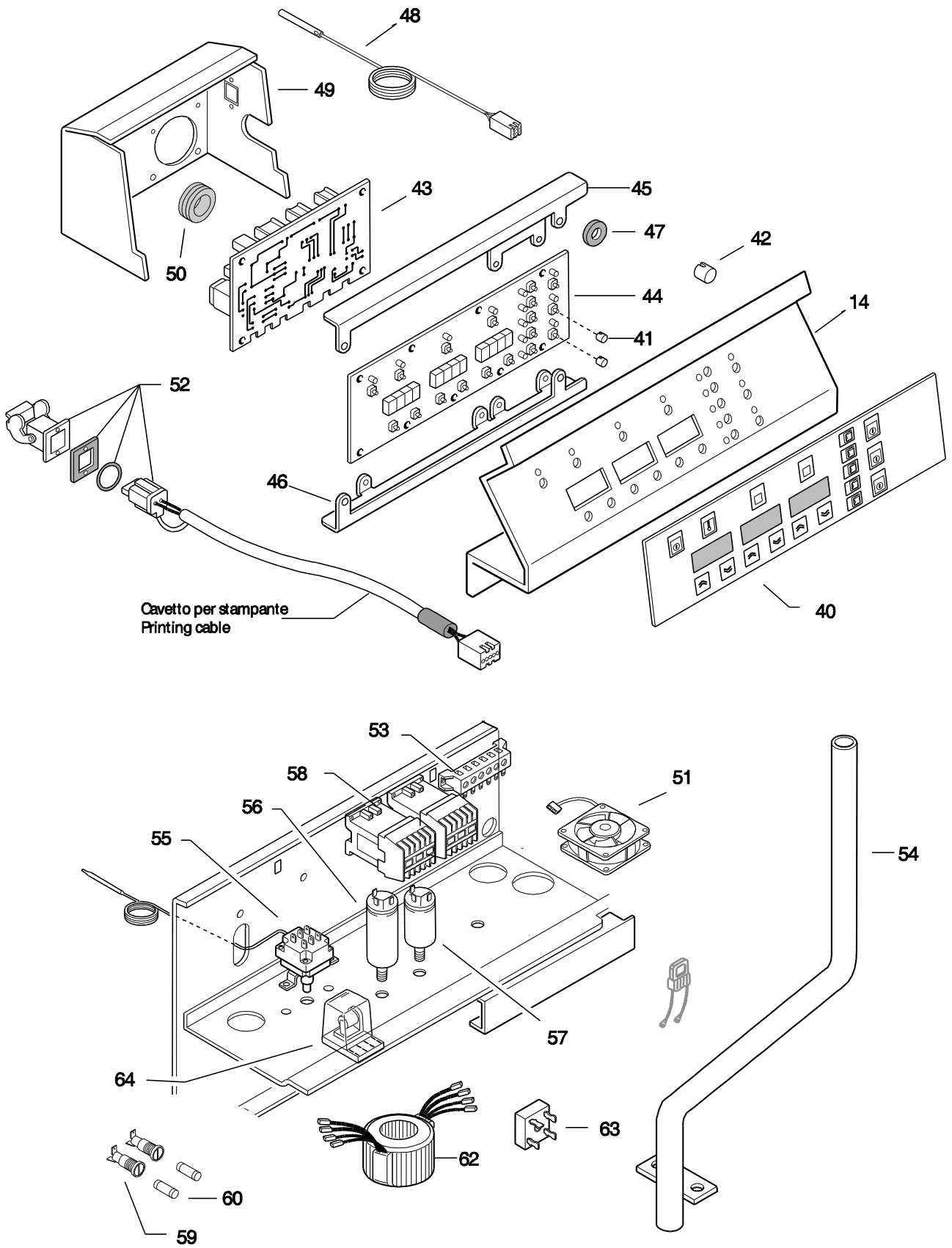
FRIGGITRICI ELETTRICHE ELETTRONICHE 23L E900XP
ELECTRIC ELECTRONIC FRYERS 23L E900XP

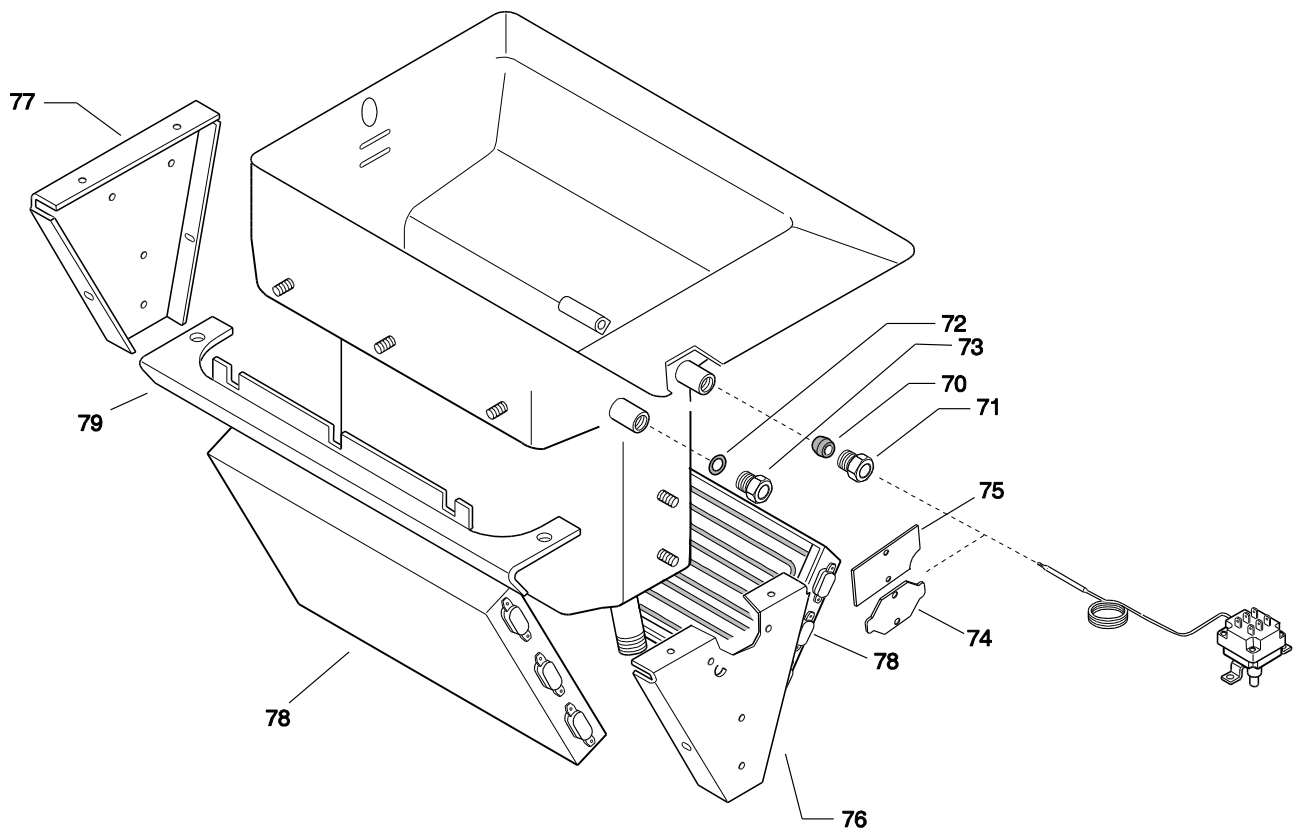
PNC	Model	Ref	Pag.	Brand	Version	Notes
391091	E9FRED1JFE	a	2-5	ELX	EL	ELECTRONIC CONTROL
391092	E9FRED1JFO	b	2-5	ELX	EL	ELECTR.CONTROL ACTIVE
391093	E9FRED1JFP	c	2-5	ELX	EL	PROG.-ELEC.CONTR+OIL FILT.
392091	Z9FRED1JFE	d	2-5	ZAN	EL	ELECTRONIC CONTROL
392092	Z9FRED1JFO	e	2-5	ZAN	EL	ELECTR.CONTROL ACTIVE
392093	Z9FRED1JFP	f	2-5	ZAN	EL	PROG.-ELEC.CONTR+OIL FILT.
393091	A9FRED1JFE	g	2-5	OEM	EL	ELECTRONIC CONTROL
393092	A9FRED1JFO	h	2-5	OEM	EL	ELECTR.CONTROL ACTIVE
393093	A9FRED1JFP	i	2-5	OEM	EL	PROG.-ELEC.CONTR+OIL FILT.

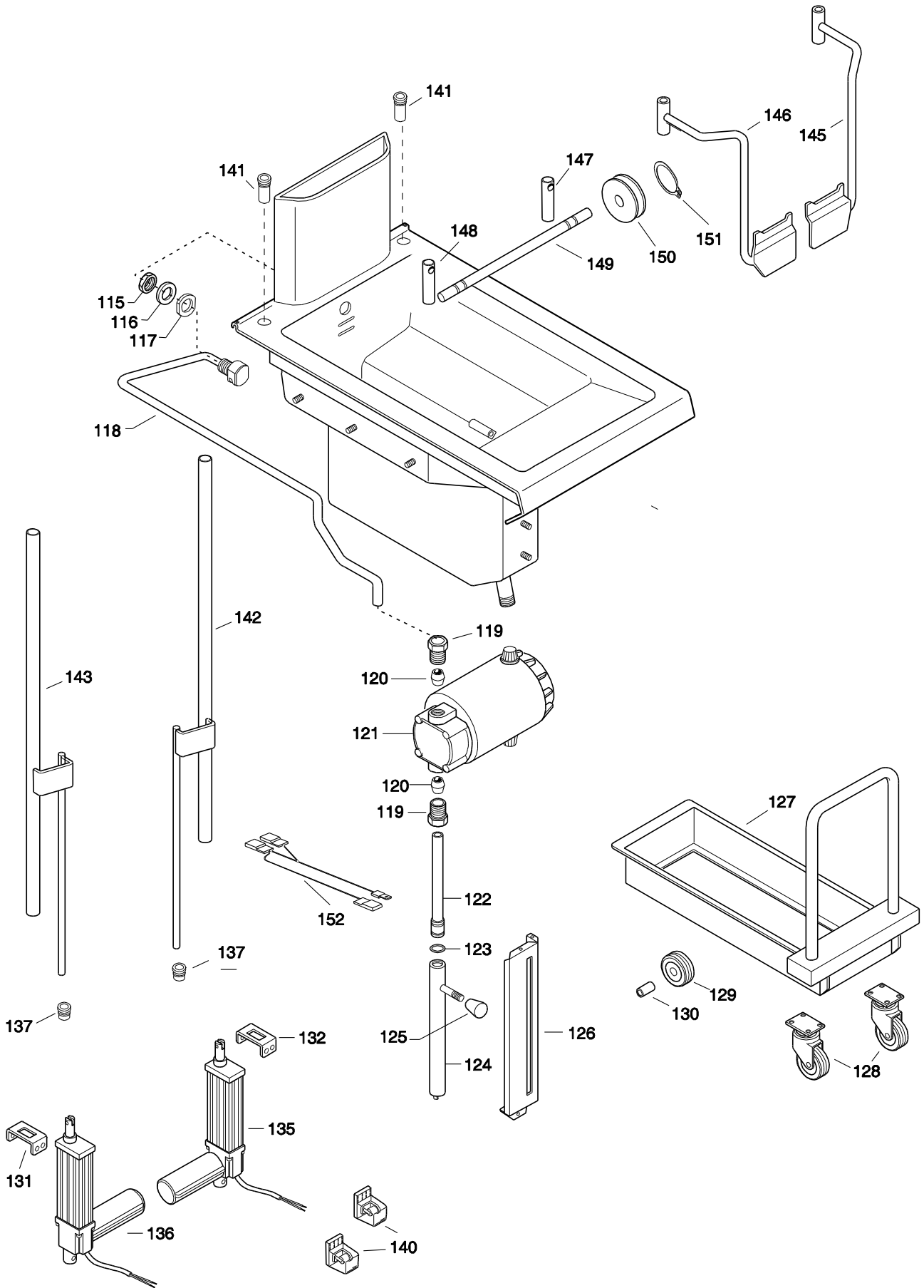
Pag	Index	Indice	Note
2	General componets	Componenti struttura	
3	Electric Components	Componenti elettrici	
4	Electric Components	Componenti elettrici	
5	Electric Components	Componenti elettrici	
6,7,8	Spare parts list	Lista ricambi	

Brand/Marchio: All
Factory code: 9PDX









FRIGGITRICI ELETTRICHE ELETTRONICHE 23L E900XP
ELECTRIC ELECTRONIC FRYERS 23L E900XP

Pos	Factory Code	Spare Code	Descrizione	Description	Ref./Note
1	0835856900	0C0204	PIEDE	FOOT	
2					
3					
4					
5					
6	0147018088	*	ADESIVO STRUTTURALE	STRUCTURAL ADHESIVE	
7	0538844701	*	SCHIENALE	BACK PANEL	with Oil Filter
7	050389HJ00	OCB153	FIANCO DESTRO	RIGHT PANEL	ELX with Oil Filter
7	050389HL00	OCB154	FIANCO DESTRO	RIGHT PANEL	ZAN, OEM – Oil Filter
7	050389HH00	OCB151	FIANCO SINISTRO	LEFT PANEL	ELX with Oil Filter
7	050389HK00	OCB152	FIANCO SINISTRO	LEFT PANEL	ZAN, OEM – Oil Filter
8	087089AM00	0C7491	RIPIANO / VASCA 400mm	WORKTOP / TANK 400mm	ELX
8	087089AS00	0C7495	RIPIANO / VASCA 400mm	WORKTOP / TANK 400mm	ELX, PROGR.
8	087089C700	0C7506	RIPIANO / VASCA 400mm	WORKTOP / TANK 400mm	ZAN, OEM
					ZAN, OEM - PROGR.
8	087089C500	0C7504	RIPIANO / VASCA 400mm	WORKTOP / TANK 400mm	
9	0527850500	0C0156	PIASTRA FISSAGGIO FIANCHI	SIDE PANEL JOINTING PLATE	
10	0835855000	006688	VALVOLA SCARICO	DRAIN VALVE	
11	0527845001	0C0607	SUPPORTO LEVA SCARICO	SUPPORT, DRAIN EXTENSION	
12	0516868800	0C0608	PROLUNGA PER SCARICO	DRAIN EXTENSION	
13	0508897002	006877	GUIDA PER PROLUNGA SCARICO	GUIDE, DRAIN EXTENSION	
14	085589AJ00	0C7896	CRUSCOTTO 400mm	CONTROL PANEL 400mm	ELX
14	087089J700	0C7518	CRUSCOTTO 400mm	CONTROL PANEL 400mm	ZAN
14	087089JC01	0C7522	CRUSCOTTO 400mm	CONTROL PANEL 400mm	OEM
14	087089JC00	0C7522	CRUSCOTTO 400mm	CONTROL PANEL 400mm	HORECALAND
15	0543821900	0L0113	GUARNIZIONE X CRUSCOTTO	GASKET, CONTROL PANEL	
16	051589A700	0C7164	MANIGLIA	HANDLE	ELX
16	054887A800	0C8190	MANIGLIA	HANDLE	ZAN
16	0854864203	0A5021	MANIGLIA	HANDLE	OEM
17	0516860801	0C0138	CERNIERA	HINGE, DOOR	
18	0516860901	0C0139	CERNIERA	HINGE, DOOR	
19	050389G300	0C7157	PORTA DESTRA	RIGHT DOOR	ELX
19	050389MB01	*	PORTA DESTRA	RIGHT DOOR	ZAN, OEM
20	050489CQ00	0C7158	CONTROPORTA	INNER DOOR	
21	0830898200	0C0201	MAGNETE PER PORTA	MAGNET, DOOR	
22	0830884701	006130	GRIGLIA DI FONDO	GRATE FOR BOTTOM	
23	0522854700	0C0611	BACINELLA PER OLIO	BASIN FOR BASIN	
24	0528822801	0C0612	SUPPORTO MANIGLIA BACINELLA	SUPPORT FOR HANDLE, BASIN	
25	0516849501	006131	MANIGLIA BACINELLA	HANDLE, BASIN	
26	0529889900	0C1014	COPERCHIO FRIGG. ACTIVE	LID, ACTIVE FRYER	ACTIVE
26	0529890100	0C0613	COPERCHIO FRIGG. 23Lt	LID, 23Lt FRYER	
27	0511819000	0C0614	MANIGLIA COPERCHIO	HANDLE, LID	
28	0850894500	006133	CESTELLO	BASKET	
29	050489JL00	0C7161	GRIGLIA CAMINO	GRID, CHIMNEY	
30	0516860700	0C0137	PIASTRA GIUNZIONE APPARECC.	JOINTING REAR PLATE	
32	0516848000	006160	TELAIO PER FILTRO	FRAME, OIL FILTER	
33	0516848101	006161	TRAVERSA PER FILTRO	CROSSPIECE, OLI FILTER	
34	0542800101	006149	FILTRO (POLIESTERE)	FILTER (POLYESTER)	
35	0147098044	006083	ADESIVO SILICONICO	GLUE, SILICON	
40	0675846700	0C2025	MEMBRANA FRIGG.ELETTRONICA	LAYER, ELECTRONIC FRYER	
40	0675835702	006614	MEMBRANA FRIGG.ACTIVE	LAYER, ACTIVE FRYER	ACTIVE
40	0675846800	0C2130	MEMBR. FRIGG.ELETT. + RIC.OLIO	LAYER, ELECT. + PUMP REC. FRYER	OIL FILTER
41	0548836902	002670	PROLUNGA PULSANTE	EXTENSION, SWITCH	
42	0516865600	*	DISTANZIALE SCHEDA INTERFACCIA	SPACER, USER INTERFACE	

FRIGGITRICI ELETTRICHE ELETTRONICHE 23L E900XP
ELECTRIC ELECTRONIC FRYERS 23L E900XP

Pos	Factory Code	Spare Code	Descrizione	Description	Ref./Note
43	0675860200	0C6362	SCHEDA MADRE	MOTHER BOARD	
44	0675860400	0C6364	SCHEDA INTERFACCIA	USER INTERFACE	
45	0528828101	*	SUPPORTO SUPERIORE SCHEDA	UPPER SUPPORT, USER INTERF.	
46	0528813501	006616	SUPPORTO INFERIORE SCHEDA	LOWER SUPPORT, USER INTERF.	
47	0546813800	*	RONDELLA FISSAGGIO SCHEDA	WASHER, BOARD FIXING	
48	0675837201	006609	SONDA NTC	NTC PROBE	
49	0532827200	0C5233	PROTEZIONE SCHEDA	PROTECTION, MAIN BOARD	
50	0246520500	050180	PASSACAVO DIA.23	CABLE LEAD DIA.23	
51	0624810200	0C3967	VENTILATORE	FAN	
52	0638887600	006623	CAVETTO PER STAMPANTE (400mm)	PRINTING CABLE (400mm)	ACTIVE
53	0A05714000	058613	MORSETTIERA	TERMINAL BOARD	
54	0853858500	*	PROTEZIONE ENTRATA CAVO	PROTECTION INPUT CABLE	
55	0646810002	005941	TERMOSTATO DI SICUREZZA	SAFETY THERMOSTAT	
56	0694605400	049303	FILTRO TRIFASE	FILTER	
57	0694502400	059078	FILTRO LC	LC FILTER	
58	0648807400	006879	CONTATTORE	CONTACTOR	
59	0652800401	056582	PORTAFUSIBILE	FUSE CARRIER	
60	0652803300	0C1480	FUSIBILE 6,3A	6,3A FUSE	
61					
62	0624805601	006159	TRASFORMATORE	TRANSFORMER	
63	0675830800	006147	PONTE RADDRIZZATORE	DIODE BRIDGE	
64	0648806900	006610	RELE'	RELAY	
70	0543815000	059293	GUARNIZIONE OR	OR GASKET	
71	0530834201	*	SUPPORTO ANT. RESISTENZA	FRONT SUPPORT, HEATING ELEM.	
74	0527871901	0C4749	SUPPORTO BULBO LIMITATORE	SAFETY TERM. BULB SUPPORT	
75	0569806300	0C4748	ISOLANTE BULBO	INSULATION	
76	0530834202	*	PANNELLO FRONTALE	FRONTAL PANEL	
77	0529844200	*	PANNELLO POSTERIORE	REAR PANEL	
78	0617821805	006158	RESISTENZA 9KW	HEATING ELEMENT 9KW	
79	0529844300	*	SUPPORTO SUPERIORE RESISTENZE	UPPER SUPPORT, HEAT.ELEMENT	
115	0516849000	*	DADO	NUT	with Oil Filter
116	0508891200	*	RONDELLA	WASHER	with Oil Filter
117	0516865900	*	RONDELLA	WASHER	with Oil Filter
118	0806824200	*	CONDUTTURA CARICO OLIO	INLET PIPE, OIL	with Oil Filter
119	0514879600	006964	RACCORDO	NIPPLE	with Oil Filter
120	0215170716	050682	OGIVA	BICONICAL RING	with Oil Filter
121	0686800002	006146	POMPA CARICO OLIO	PUMP, OIL CIRCULATION	with Oil Filter
122	0806812400	*	CONDUTTURA INTERNA CARICO OLIO	INTERNAL PIPE, OIL CIRCULATION	with Oil Filter
123	0543826300	006426	GUARNIZIONE	GASKET	with Oil Filter
124	0806824300	*	CONDUTTURA ESTERNA CARICO OLIO	EXTERNAL PIPE, OIL CIRCULATION	with Oil Filter
125	0516865700	0C0951	POMELLO	KNOB	with Oil Filter
126	0528828400	*	PROTEZIONE CARICO OLIO	PROTECTION, OIL PIPE	with Oil Filter
127	0870847400	0C1018	CARRELLO	TROLLEY	
128	835849000	006150	RUOTA DIA.140	SPINNING WHEEL DIA 140	Up to 6131
128	835878P00	0CA727	RUOTA GIREVOLE	SPINNING WHEEL	From 6141
129	835848900	006151	RUOTA DIA.40	WHEEL DIA 40	Up to 6131
129	549803600	0CA726	RUOTA	WHEEL	From 6141
130	517862800	006163	PERNO	PIN	Up to 6131
130	51589CJ00	0CA728	PERNO	PIN	From 6141
131	050589CW00	*	GUIDA ATTUATORE SINISTRA	RUNNER, LEFT MOTOR ELEVATOR	
132	050589CV00	*	GUIDA ATTUATORE DESTRA	RUNNER, RIGHT MOTOR ELEVATOR	
133					
134					
135	0611809B00	0C7189	ATTUATORE PER SOLLEVAMENTO SX	LEFT MOTOR ELEVATOR	
136	0611808803	0C3970	ATTUATORE PER SOLLEVAMENTO DX	RIGHT MOTOR ELEVATOR	
137	0544807000	*	BOCCOLA	BUSHING	

FRIGGITRICI ELETTRICHE ELETTRONICHE 23L E900XP
ELECTRIC ELECTRONIC FRYERS 23L E900XP

<i>Pos</i>	<i>Factory Code</i>	<i>Spare Code</i>	<i>Descrizione</i>	<i>Description</i>	<i>Ref./Note</i>
138					
139					
140	0648806900	006610	RELE	RELAY	
141	0516866000	0C1019	BOCCOLA	BUSHING	
142	051489AU00	0C7169	ASTA SOLLEVAMENTO DX	RIGHT ROD, LIFT BASKET	
143	051489AV00	0C7170	ASTA SOLLEVAMENTO SX	LEFT ROD, LIFT BASKET	
144					
145	083089FF00	0C7198	SUPPORTO DX CESTELLI	RIGHT SUPPORT BASKET	
146	083089FG00	0C7199	SUPPORTO SX CESTELLI	LEFT SUPPORT BASKET	
147	0516866301	0C1025	SUPPORTO DX	RIGHT SUPPORT	
148	0516866401	0C1026	SUPPORTO SX	LEFT SUPPORT	
149	0516866500	0C1027	BARRA SUPPORTO CESTELLI	ROD, BASKET SUPPORT	
150	0516849400	0C1028	GUIDA CESTELLI	RUNNER, BASKET	
151	0219001015	*	ANELLO	SEEGER	
152	0830831400	054539	CABLAGGIO PER MICRO	CABLE FOR MICROSWITCH	