

DISHWASHER

ELECTROMECHANICAL SWITCHES
LOWER AND UPPER WASHING

TYPE: 3U

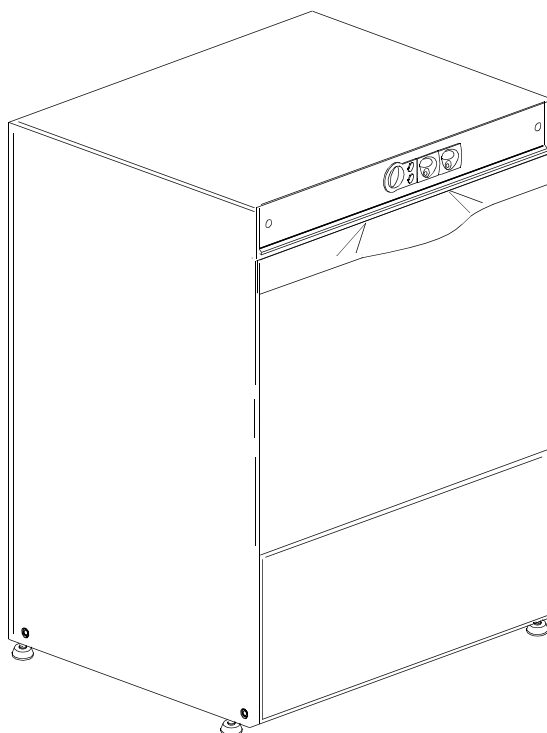
Accessories

DVGW

COLD RINSE

DETERGENT DISPENSER

Spare parts manual



1. Spare parts

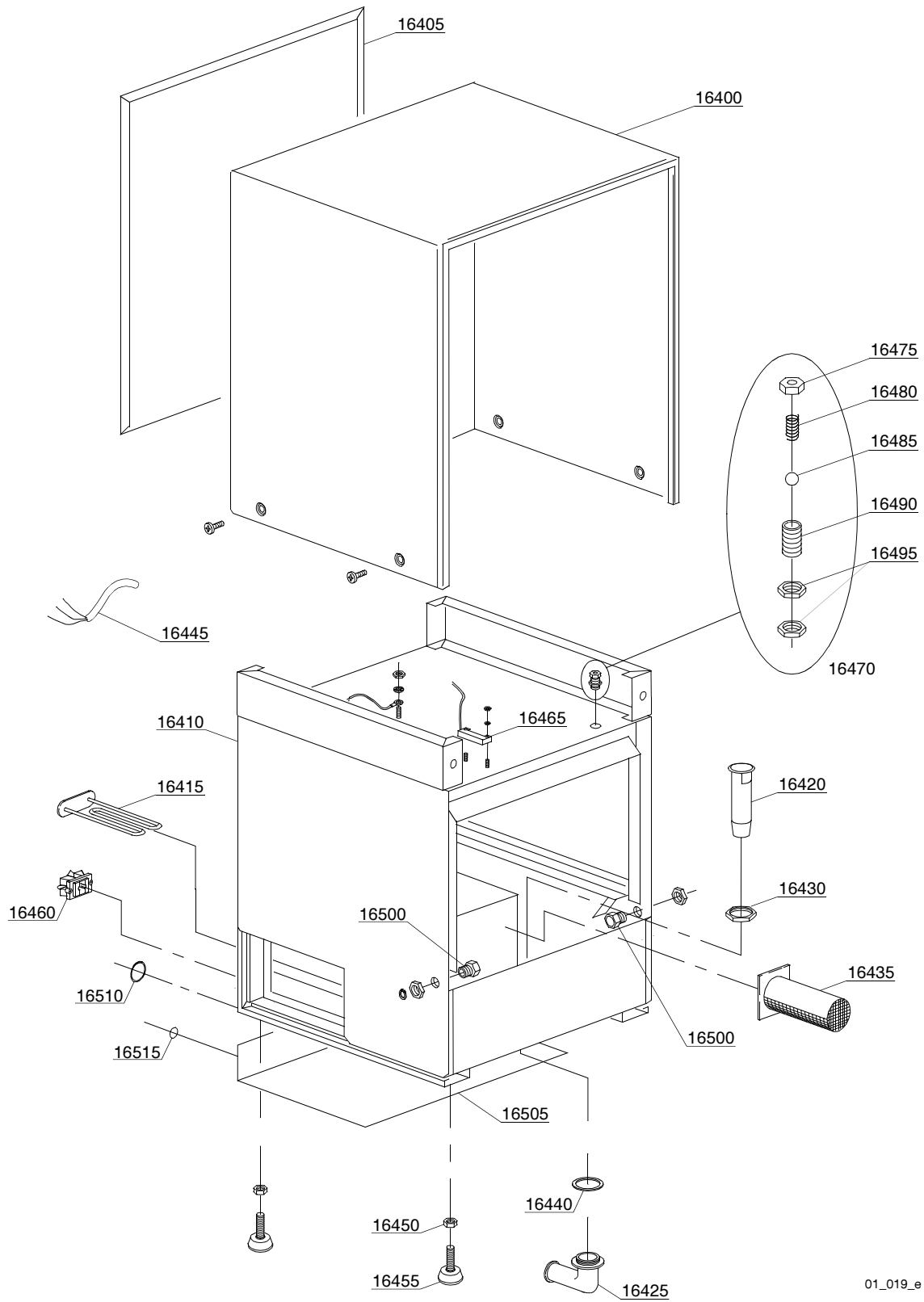
General body parts.....	7
Lockup system	9
Control panel	11
Control electric components.....	13
Solenoid valve group	15
DVGW	17
Shining product dosing device group .	19
Shining product dosing device group .	21
Boiler group	23
4 ways derivation.....	25
Wash pump	27
Wash pump	29
Dosing device group	31
Pressure switch group with air trap ...	33
Turret group with rotating arms	35
Turret group with rotating arms	37

1.1 Voltage codes

Voltage code	Voltage
A	3/N/PE~400/230V 50Hz
B	~250V 16A 50Hz
C	3/N/PE~380/220V 50Hz
D	3/PE~200V 50-60Hz
F	2/PE 220-240V 50Hz
G	3/N/PE~415/240V 50Hz
H	3/PE~230V 50Hz
I	3/PE~220V 60Hz
J	3/PE~380 50Hz
K	3/PE~400V 50Hz
L	3/PE~415V 50Hz
M	3/PE~440V 60Hz
N	3/PE~460V 60Hz
O	3/PE~480V 60Hz
P	1/N/PE~220-240V 50Hz
R	2/PE~220-230V 60Hz
S	3/N/PE~400/230V 50Hz
T	3/PE~230V 60Hz

1.2 Product codes

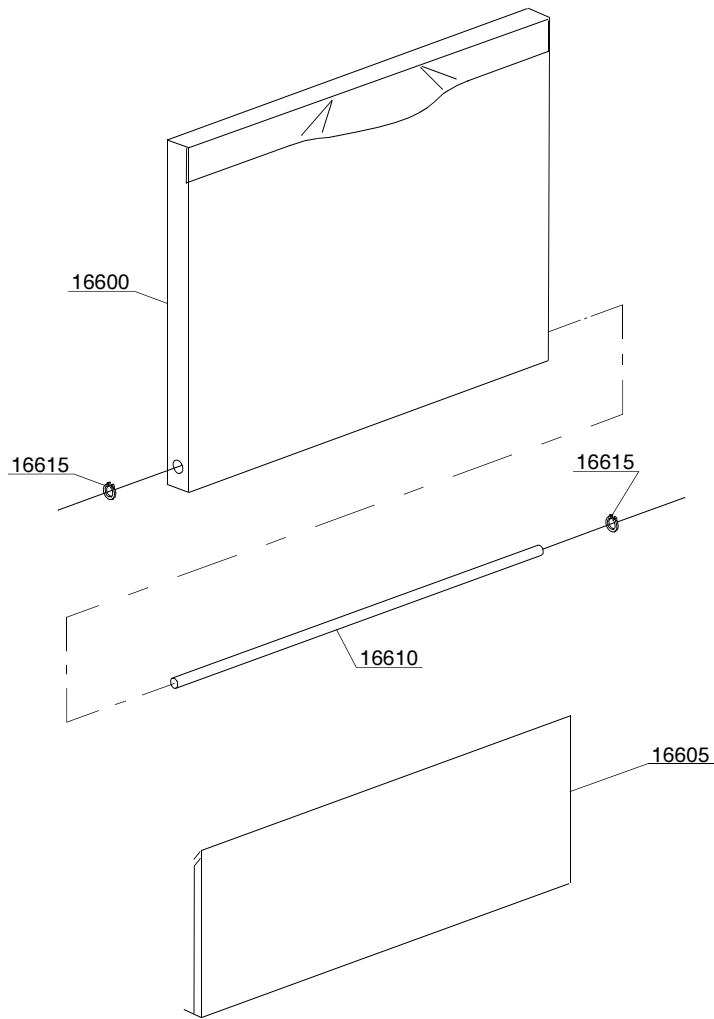
Product code	Full name
Model codes	
em	ELECTROMECHANICAL SWITCHES
ls	LOWER AND UPPER WASHING
Type codes	
3U	3U
Accessory codes	
dvgw	DVGW
fs	COLD RINSE
dde	DETERGENT DISPENSER



01_019_e

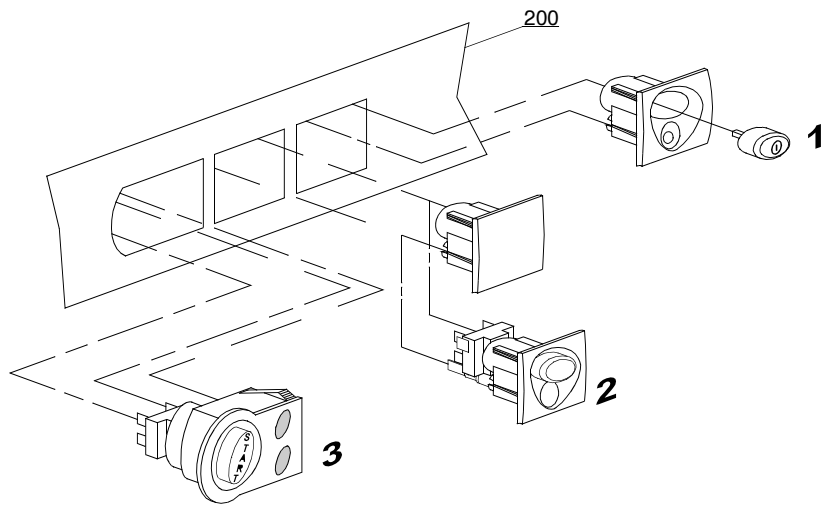
Spare parts

ID	P-code	Model	Type	Accessory	Voltage	Description
MODULE:General body parts						
16400	17953		3U			Cover
16405	17213		3U			Back panel
16410	17951		3U			Body
16415	17201		3U			1,8KW heating element
16420	15126		3U			Overflow pipe
16425	10701		3U			Drain elbow
16425	15063		3U			Stainless steel drain elbow
16430	11701/A		3U			Stainless steel nut
16435	10914/A		3U			Pump suction filter
16440	13305		3U			44x32x3 drain elbow gasket
16445	10713		3U			3x2,5x2500 cable
16450	11711		3U			M10 zinc plated nut
16455	10786		3U			M10x25 O40 black foot
16460	15065/A		3U			Cable-fastener with screw
16465	10778		3U			Reed magnet
16470	10775		3U			Door jack assembly
16475	10802		3U			Door jack locknut
16480	10777		3U			Spring for door hook
16485	10776		3U			Sphere
16490	10803		3U			Door jack body
16495	10801		3U			Door jack nut
16500	11835		3U			Brass bush with nut
16505	17958		3U			Bottom protection
16510	13317		3U			O40mm fairlead
16515	13323		3U			O13mm fairlead

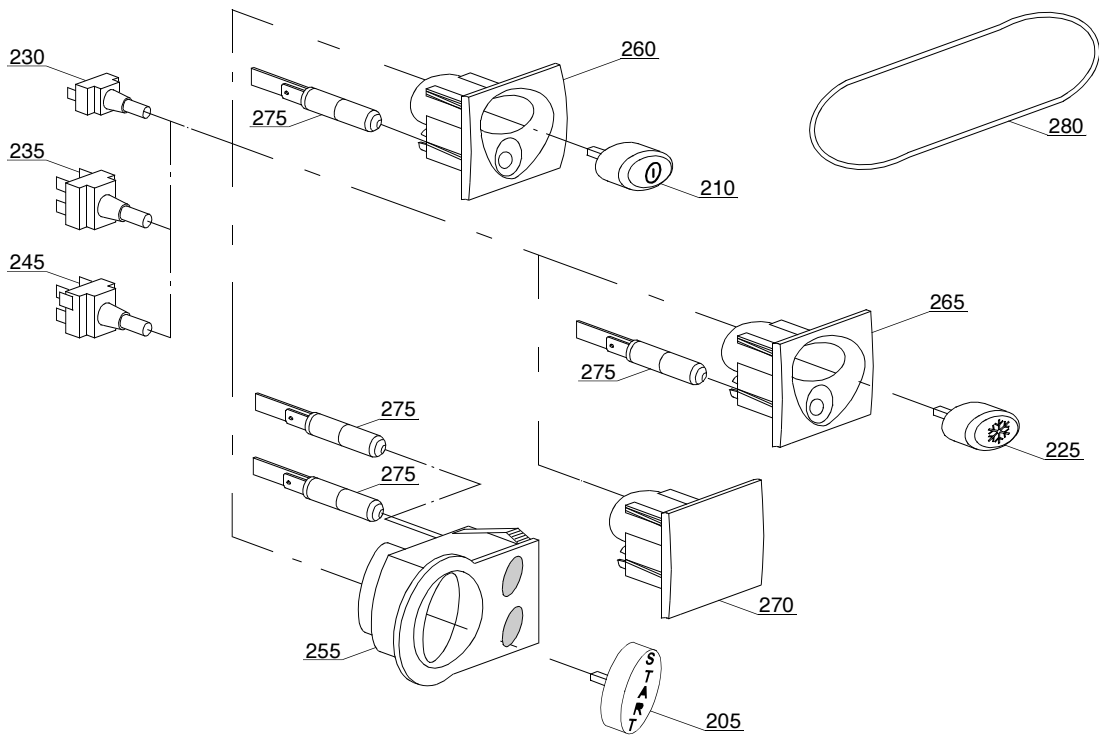


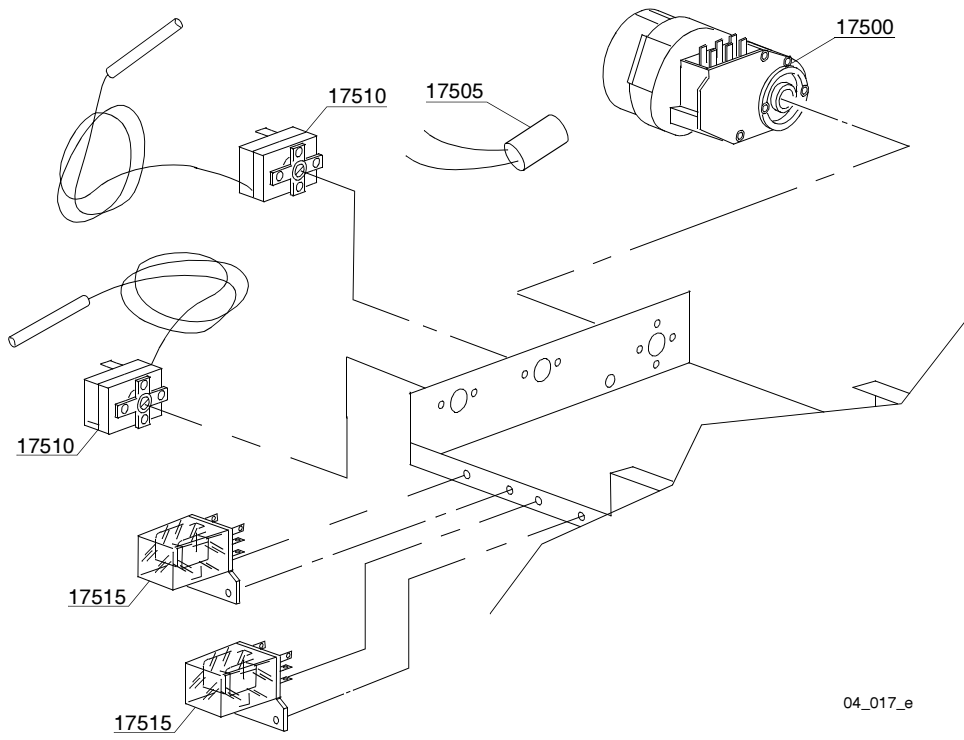
02_117_e

ID	P-code	Model	Type	Accessory	Voltage	Description
MODULE:Lockup system						
16600	17957		3U			Door with stainless steel handle
16605	17954		3U			Lower door
16610	17210		3U			Door rod
16615	11815		3U			O8 stainless steel snap ring



03_009_e

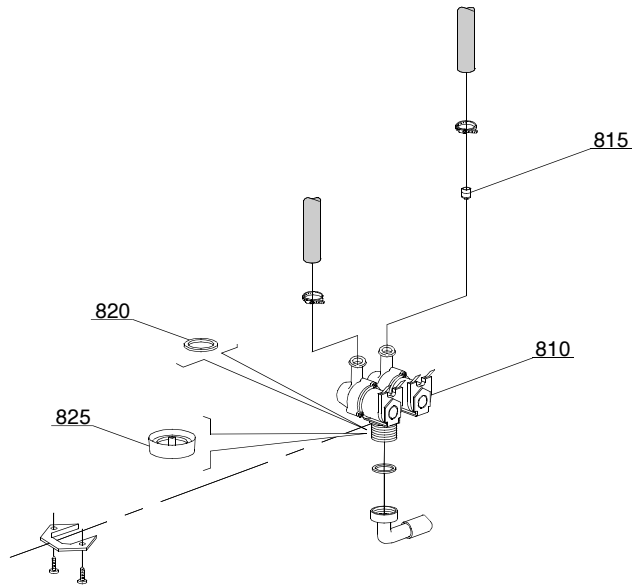




04_017_e

Spare parts

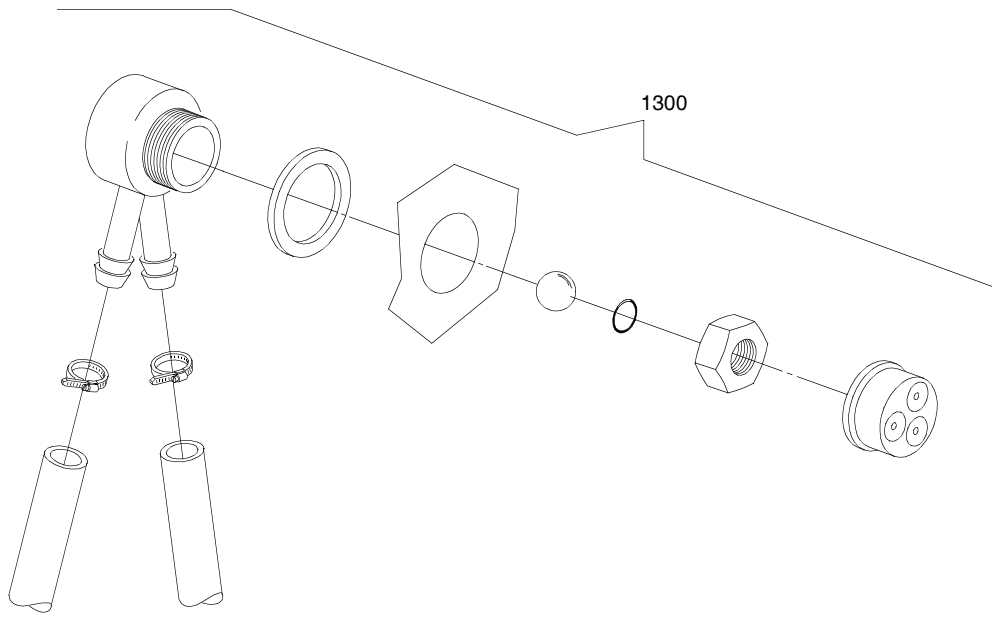
ID	P-code	Model	Type	Accessory	Voltage	Description
MODULE:Control electric components						
17500	10708/L		3U		A	120" timer 230Vac 50Hz
17500	10708/B		3U			120" timer 220Vac 60Hz
17505	15146		3U		A	Low noise filter
17510	10707/1		3U		A	0-90°C thermostat
17515	16037		3U		A	16A bipolar relay



05_003_e

Spare parts

ID	P-code	Model	Type	Accessory	Voltage	Description
MODULE:Solenoid valve group						
810	15098		3U	cr,ws		Double solenoid valve - O10

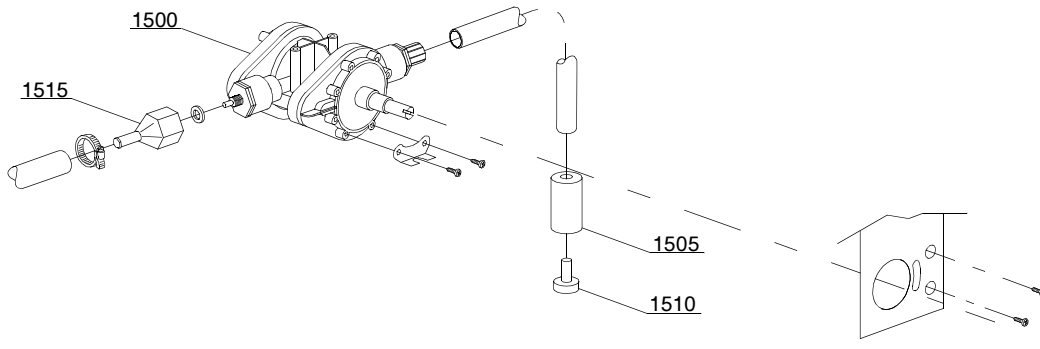


08_005_e

Spare parts

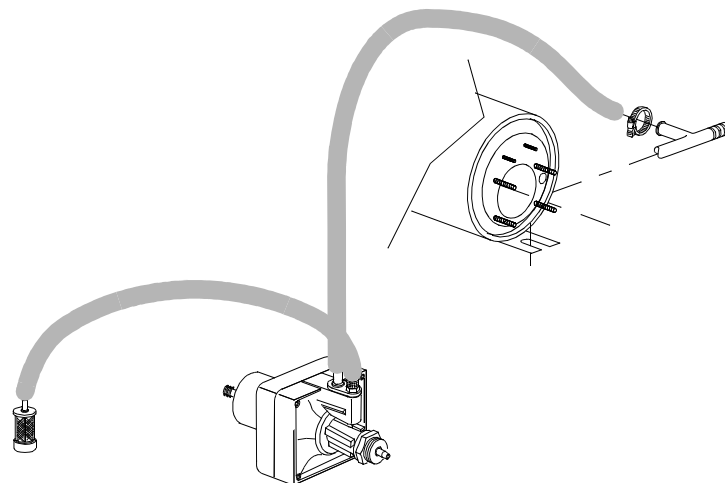
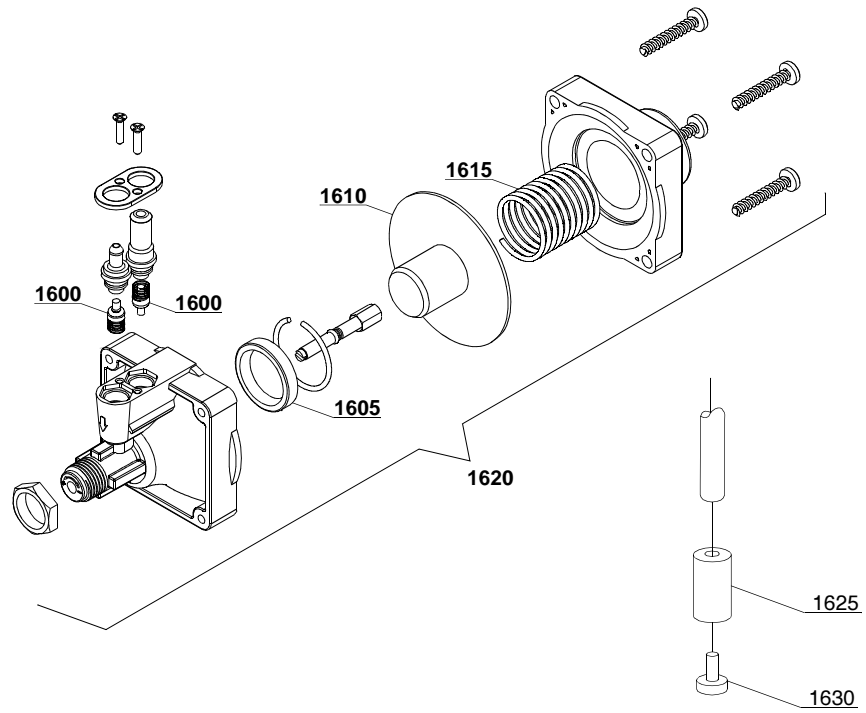
ID	P-code	Model	Type	Accessory	Voltage	Description
MODULE:DVGW						
1300	999900006		3U	dvgw		DVGW assembly

10_002_e



Spare parts

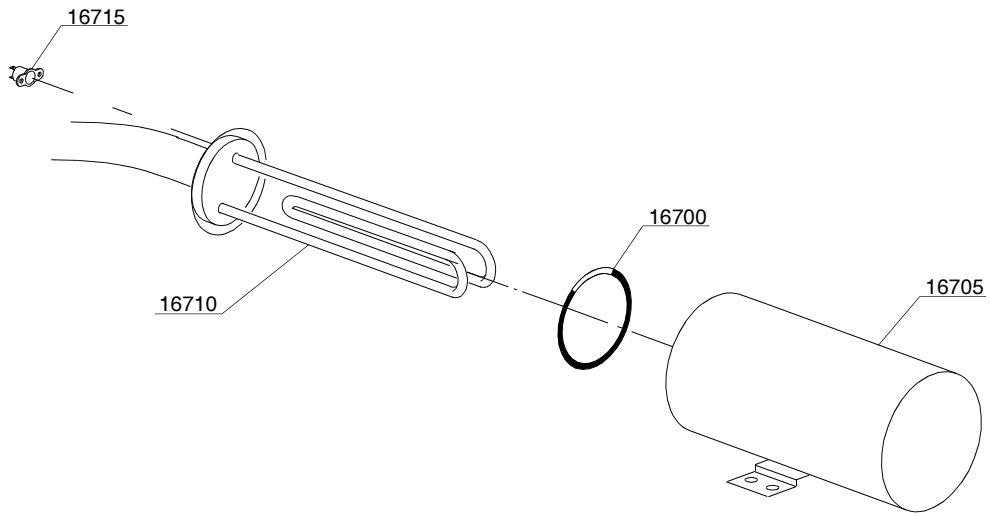
ID	P-code	Model	Type	Accessory	Voltage	Description
MODULE:Shining product dosing device group						
1500	10798		3U			Shining product dosing device
1505	12525		3U			Counter-weight
1510	15058		3U			Small filter
1515	10798/B		3U			Brass pipe fitting



10_003_e

Spare parts

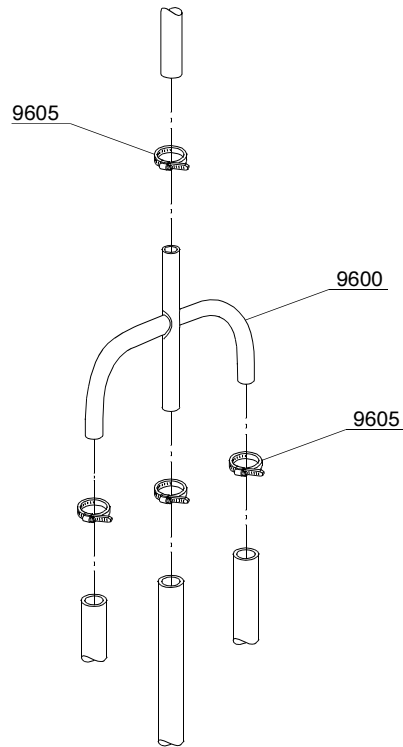
ID	P-code	Model	Type	Accessory	Voltage	Description
MODULE:Shining product dosing device group						
1600	10805		3U			Tecnopro dosing valve
1605	10806		3U			O22 gasket
1610	10807		3U			Membrane
1615	10808		3U			Spring
1620	10599999		3U			Shining product dosing device
1625	12525		3U			Counter-weight
1630	15058		3U			Small filter



11_008_e

Spare parts

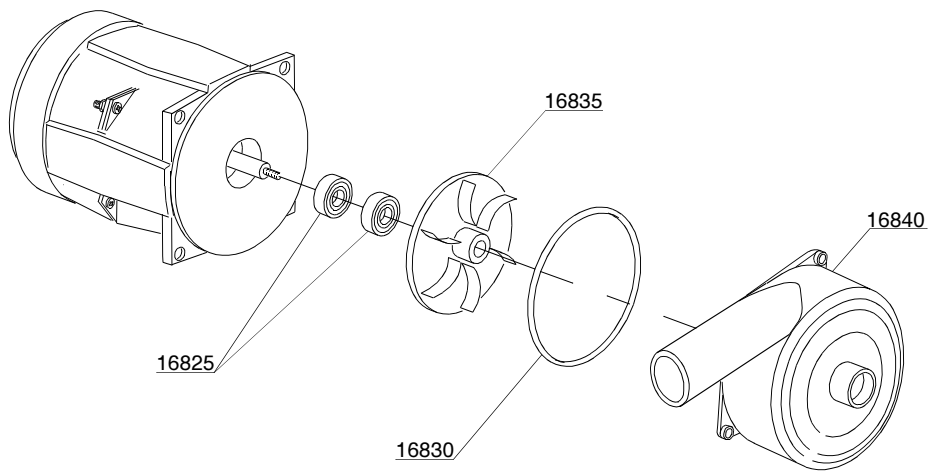
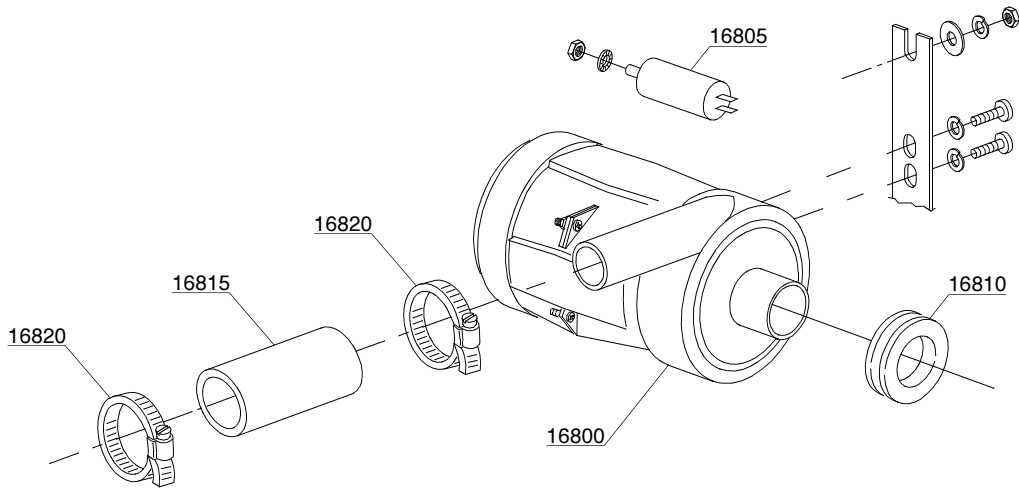
ID	P-code	Model	Type	Accessory	Voltage	Description
MODULE:Boiler group						
16700	13005		3U			OR 151 NBR gasket
16705	17905		3U			Boiler
16710	16036/A		3U			2,5KW heating element
16715	15550		3U			Safety thermostat



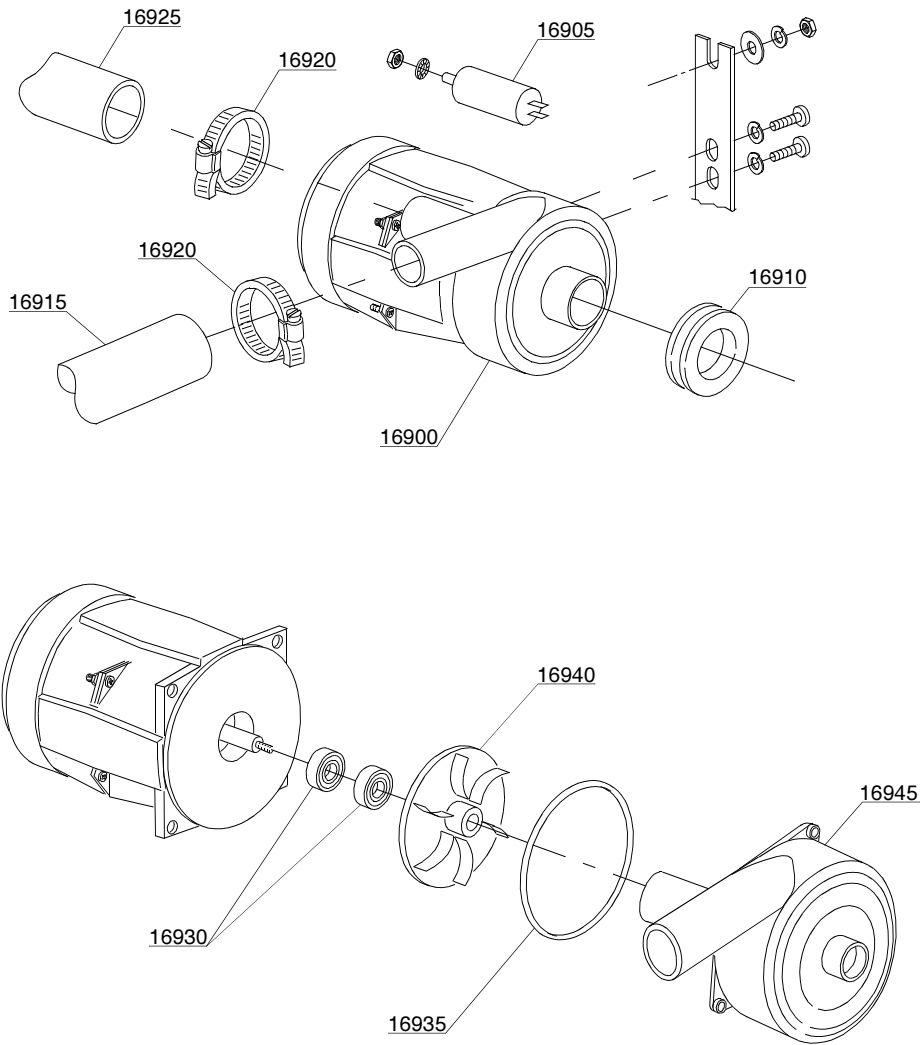
12_004_e

Spare parts

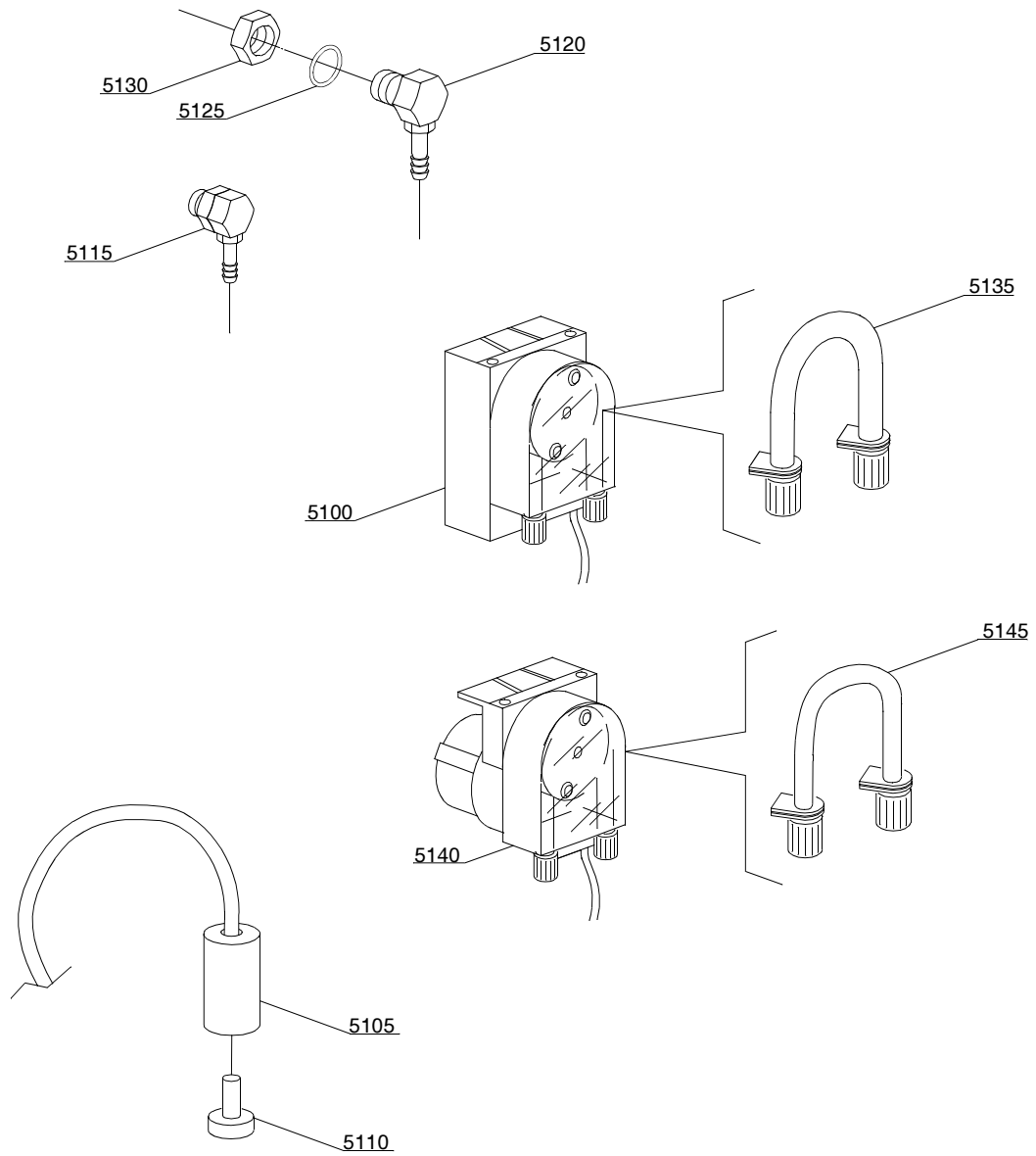
ID	P-code	Model	Type	Accessory	Voltage	Description
MODULE:4 ways derivation						
9600	15151		3U			O10 mm 4 ways derivation
9605	11806		3U			25/40 clamp



13_007_e



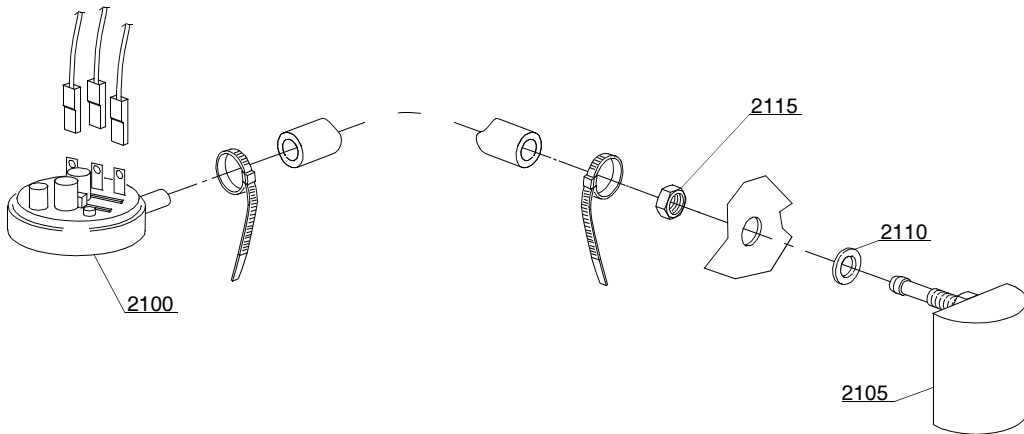
13_113_e



14_004_e

Spare parts

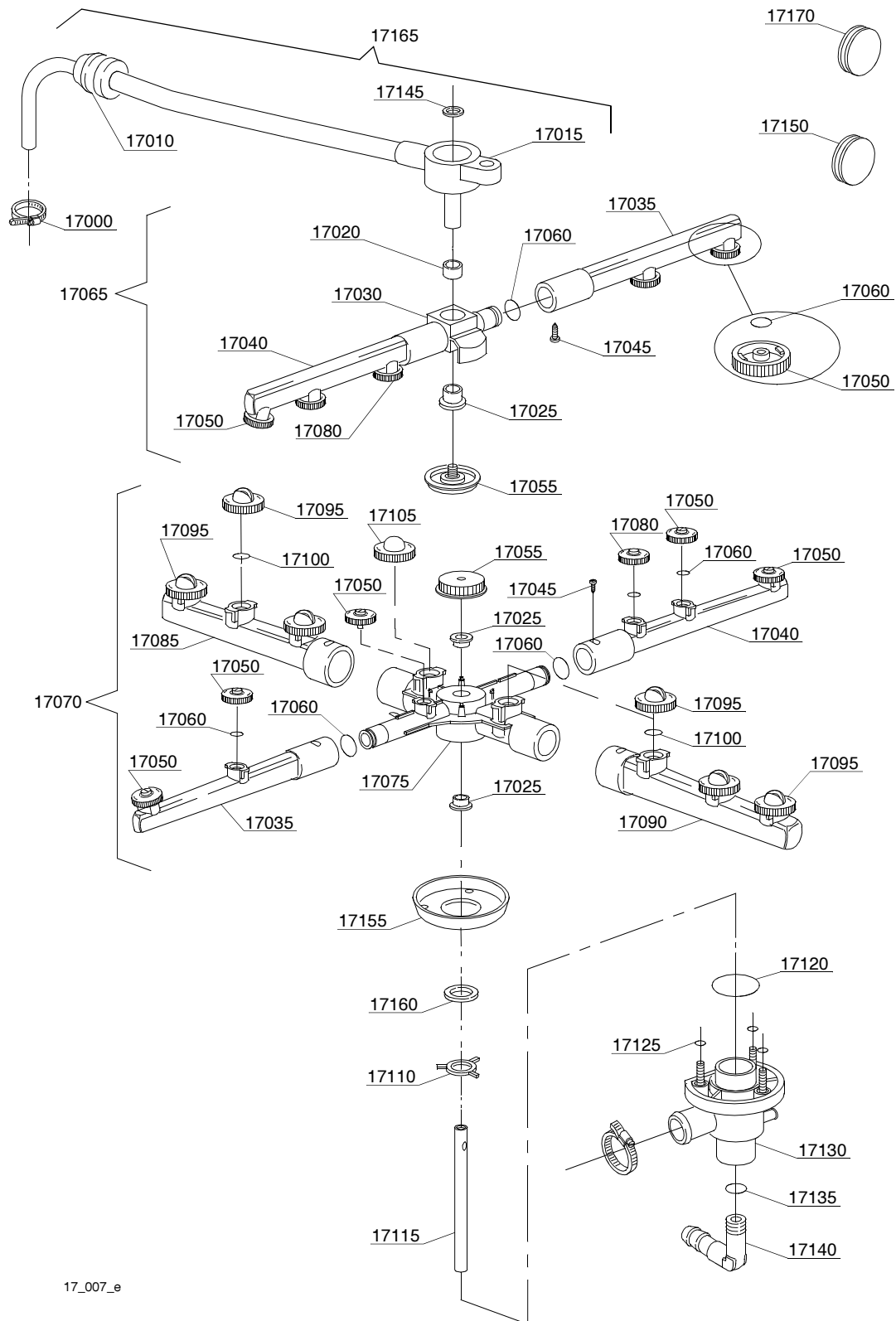
ID	P-code	Model	Type	Accessory	Voltage	Description
MODULE:Dosing device group						
5100	15985		3U	dd		Seko dosing device
5105	12525		3U	dd		Counter-weight
5110	15058		3U	dd		Small filter
5115	15123		3U	dd		Compleat plastic injector
5120	15148		3U	dd		Steel injector
5125	15159		3U	dd		OR gasket
5130	10200205		3U	dd		M12x1 stainless steel nut
5135	15185		3U	dd		Seko thermoplastic pipe
5140	15985		3U	dd		Germac dosing device
5145	15108/E		3U	dd		Germac thermoplastic pipe



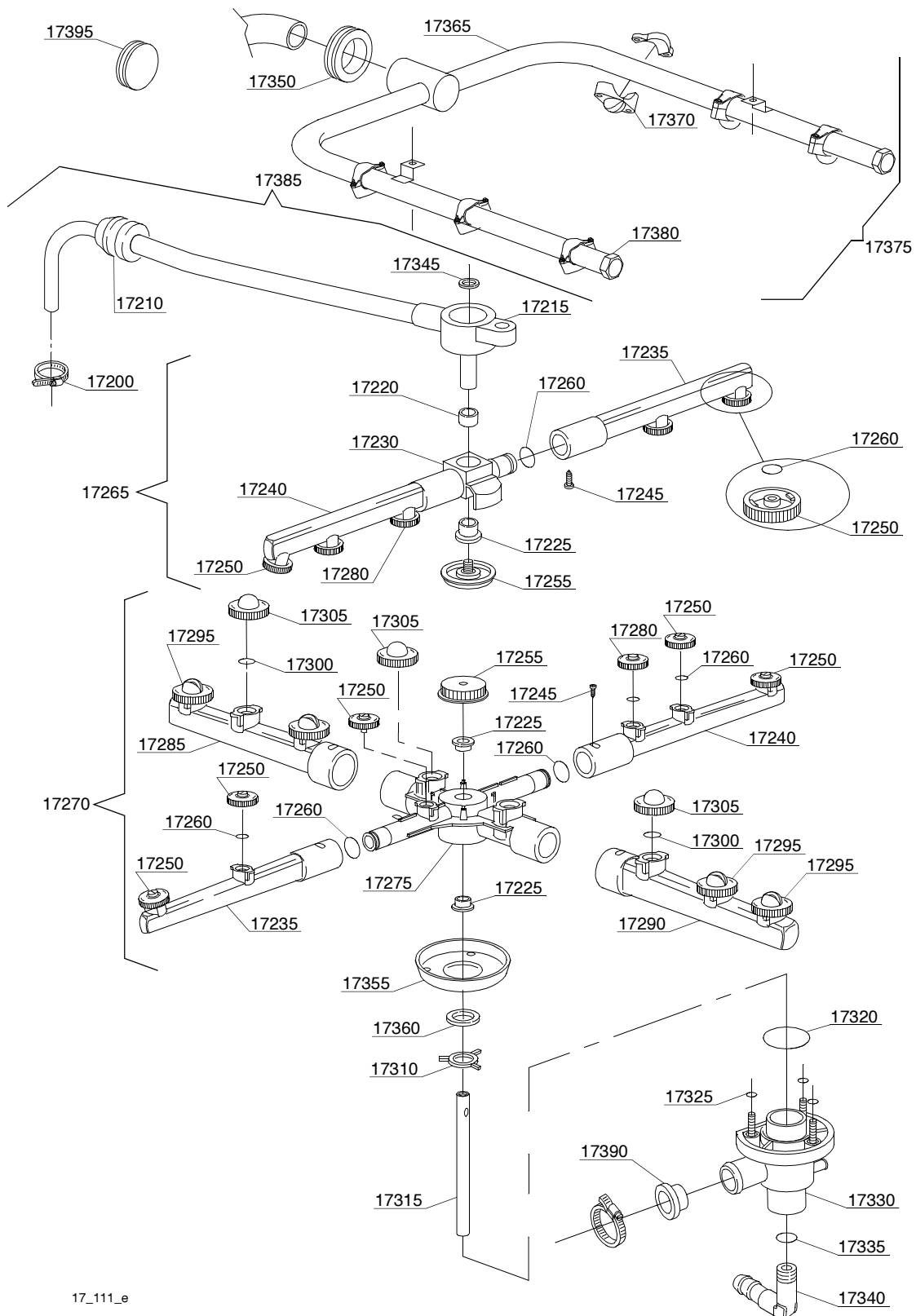
16_001_e

Spare parts

ID	P-code	Model	Type	Accessory	Voltage	Description
MODULE:Pressure switch group with air trap						
2100	10706/A		3U			47-27 pressure switch
2105	10911		3U			Air trap assembly
2110	13301		3U			Gasket
2115	11702		3U			M8 stainless steel nut



17_007_e



17_111_e

Spare parts

ID	P-code	Model	Type	Accessory	Voltage	Description
MODULE:Turret group with rotating arms						
17200	11807		3U			12/22 clamp
17210	13304		3U			Pipe-pass gasket
17215	10909		3U			Top rinse turret
17220	13320		3U			Sliding washer
17225	13319		3U			Sliding washer
17230	10359		3U			Rinse rotor
17235	10360		3U			Right rinse pipe
17240	10361		3U			Left rinse pipe
17245	11004		3U			4x10 TCB O8 spax toothed screw
17250	12537		3U			Opened head rinse nozzle
17255	10365		3U			Handle with insert
17260	13002		3U			OR R6 NBR gasket
17265	10996		3U			Top rinse group
17270	18995		3U			Lower wash/rinse group
17275	10364		3U			Wash rotor
17280	12538		3U			Closed head rinse nozzle
17285	10355		3U			Right wash pipe
17290	10356		3U			Left wash pipe
17295	10366		3U			1,9 opened head wash nozzle
17300	13009		3U			OR 2050 NBR gasket
17305	10358		3U			Closed head wash nozzle
17310	10203		3U			Guide pipe
17315	12501		3U			O10x1,5x100 rotor axle
17320	13000		3U			OR 3125 NBR gasket
17325	13001		3U			OR 104 NBR gasket
17330	10205		3U			Lower wash turret
17335	13003		3U			OR 112 NBR gasket
17340	12030		3U			3/8M O12 elbow pipe fitting
17345	11610		3U			Copper washer
17350	13306/A		3U			Top wash ramp gasket
17355	10204		3U			Splash guard
17360	13302		3U			O16,5x10x2,5 teflon washer
17365	18134		3U			Top wash pipe
17370	18135		3U			Wash nozzle
17370	10221		3U			Wash nozzle
17375	18903		3U			Top wash group
17380	12503		3U			Plug
17385	17993		3U			Rinse turret group
17390	12518		3U			Flux reducer
17395	13316/A		3U			DVGW hole gasket