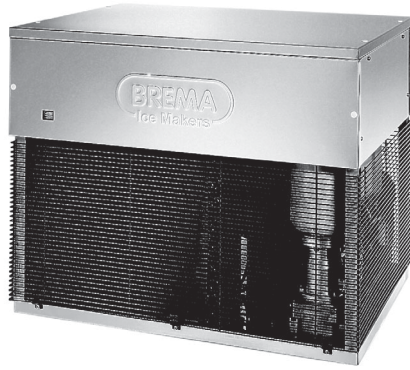


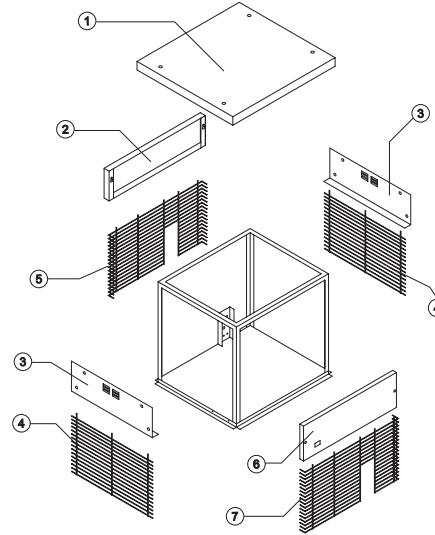


G 1000

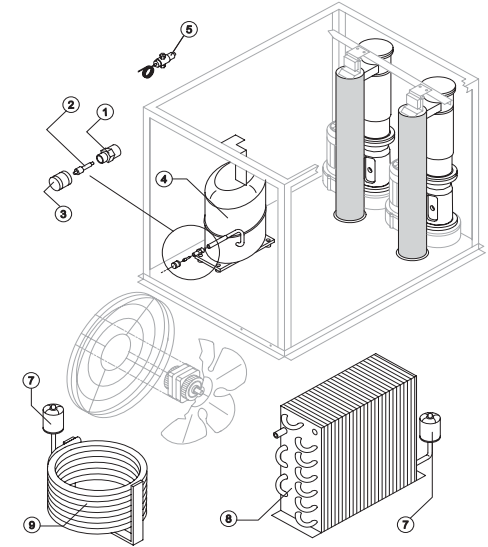
LIST OF THE EXPLODED VIEWS



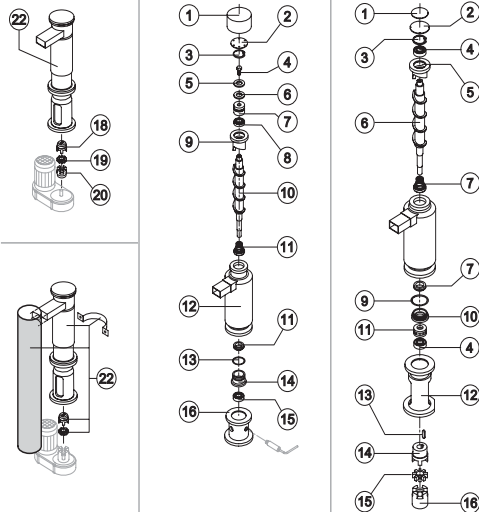
SHELL ASSY



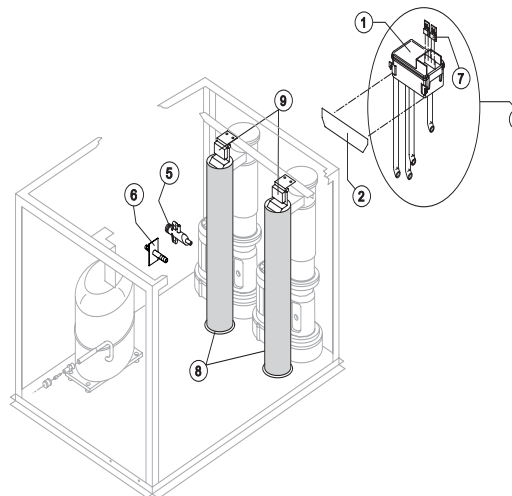
COOLING SYSTEM



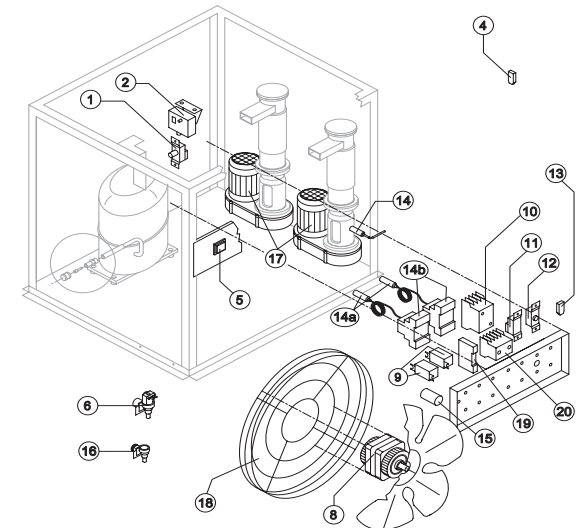
EVAPORATOR



HYDRAULIC CIRCUIT



ELECTRIC PARTS

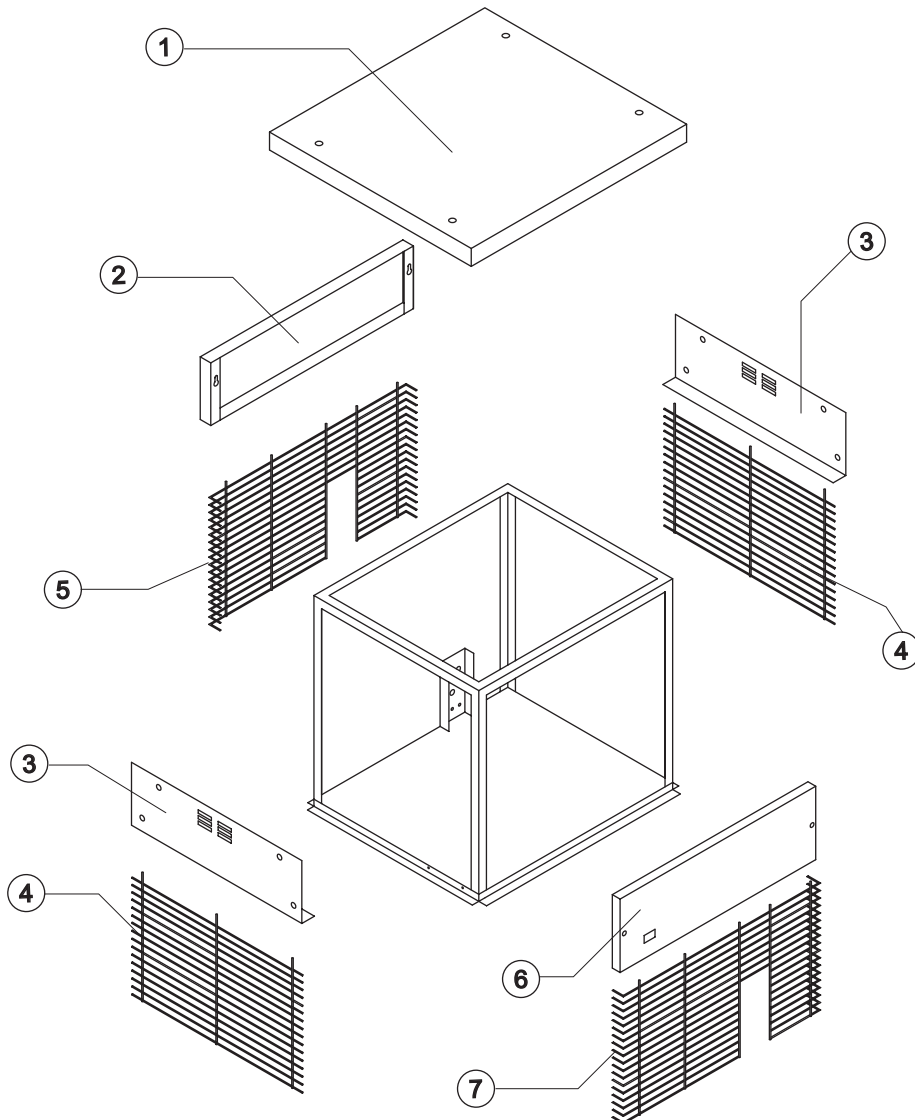


Rev. 4 - 20/10/2003



G 1000

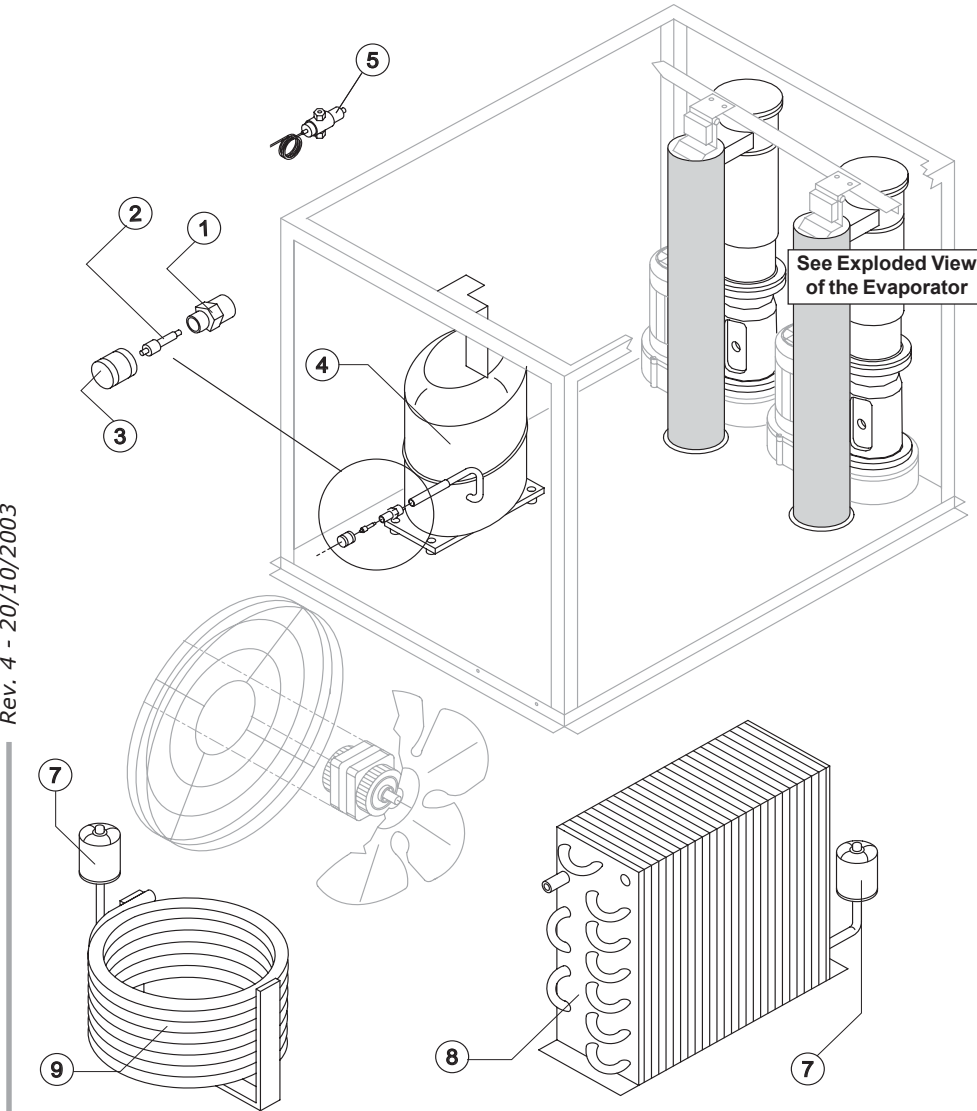
SHELL ASSY



Common Parts

Ref.	Spare Description	Code
1	Top	22681
2	Back Panel	22684
3	Right/Left Panel	22682
4	Lateral Grid	D12064
5	Back Grid	D12063
6	Front Panel Assembly	C22683B
7	Front Grid	D12062

Rev. 4 - 20/10/2003



Common Parts

Ref.	Spare Description	Code
1	Vacuum-Charge Valve Body	14007
2	Vacuum-Charge Valve Device	14005
3	Vacuum-Charge Valve Plug	14006
4	Compressor	See Table
7	Solid Core Drier	14255

Parts for Air-Cooled Version Only

Ref.	Spare Description	Code
8	Air Condenser	20396

Parts for Water-Cooled Version Only

Ref.	Spare Description	Code
5	Pressure Valve	20149
9	Water Condenser	14285

Ref. 4 - Compressor

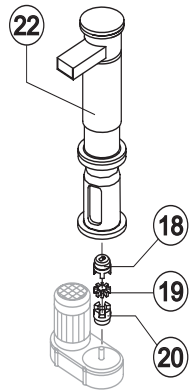
Tension	Code
400V 3N 50 Hz	23583
220/230V 3 60 Hz	23618



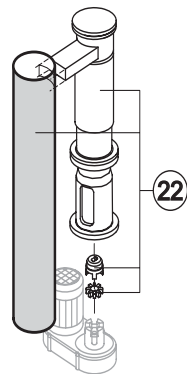
G 1000

EVAPORATOR

Rev. 4 - 20/10/2003

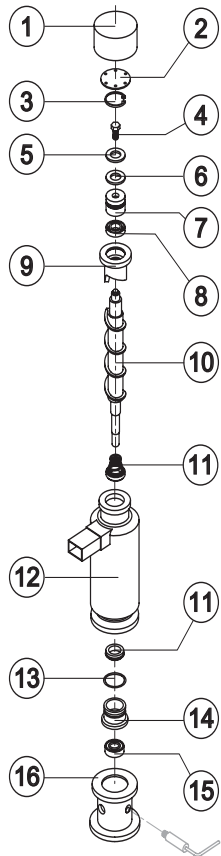


C11113



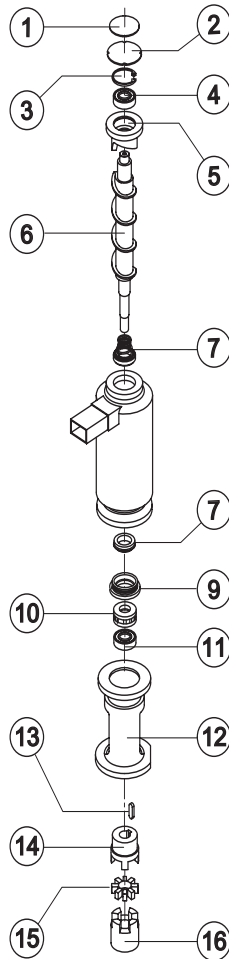
KITG500C11113

Current Version



**For Complete Evaporator,
order C11113**

Till s/n.160132



**For Complete Evaporator,
order KITG500C111103**

Ref.	Spare Description (Current Version)	Code
1	Insulating Top Panel	18165
2	Closing Disk	22670
3	Seeger	20116
4	Inox Screw	Current Version 20664
4	Inox Screw	Till s/n. 169028 15094
5	Shimming Disk	22829
6	Self-Lubricating Disk	20639
7	Stainless Steel Thrust Bearing	Current Version 20685
7	Stainless Steel Thrust Bearing	Till s/n. 205975 20648
8	OR Gasket 4137	Current Version 20689
8	Seal Ring	Till s/n. 205975 20640
9	Ice Breaker	20645
10	Auger with Screw	C20646
11	Ceramic Seal	20643
12	Foamed Evaporator	C11112
13	OR Gasket 4312 NBR	20205
14	Reduction Ring	20647
15	INOX Bearing	20113
16	Flange	20644
18	Semi-Joint Upper	D20642
19	Vibration-Damping Elastomer	20494
20	Semi-Joint Lower	D20493
22	Evaporator Assy	C11113

Ref.	Spare Description (Till s/n.155369)	Code
1	Insulating Cover	18125
2	Closing Disk	22670
3	Seeger	20116
4	Inox Bearing	20113
5	Ice Breaker	20503
6	Auger	20516
7	Ceramic Seal	20110
9	OR Gasket 4312 NBR	20205
10	Ring for Ceramic Seal	20504
11	Stainless Steel Thrust Bearing	20111
12	Flange	20482
13	Key	20431
14	Semi-Joint Upper	Current Version D20517
14	Semi-Joint Upper	Till s/n. 81178 D20493
15	Vibration-Damping Elastomer	20494
16	Semi-Joint Lower	D20493
22	Evaporator Assy	ex C11106 KITG500C11113



G 1000

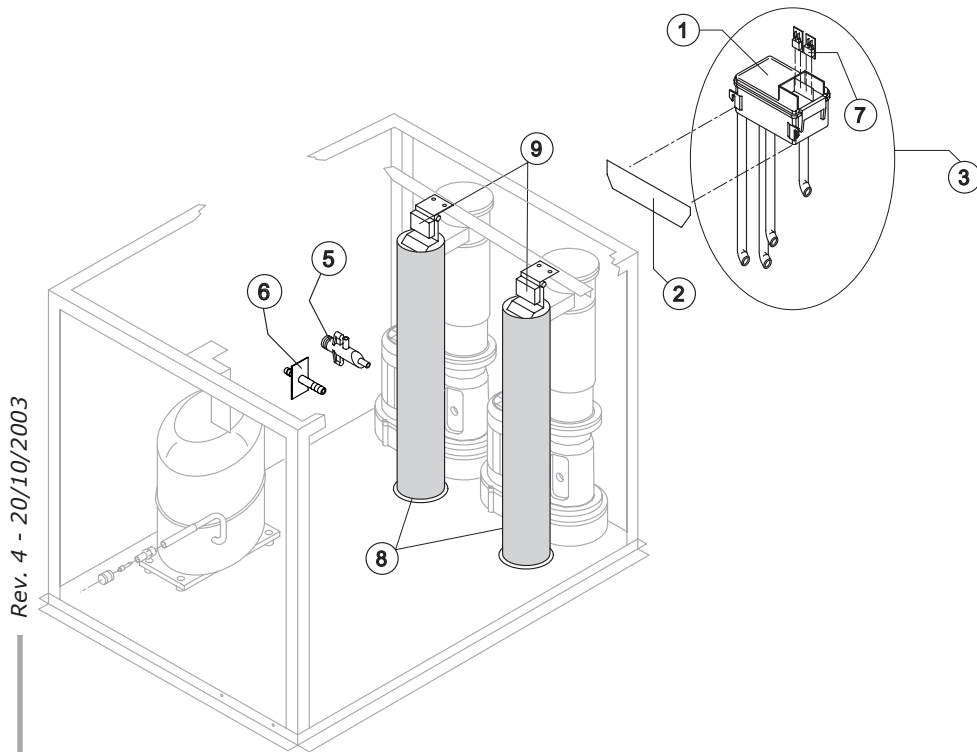
HYDRAULIC CIRCUIT

Common Parts

Ref.	Spare Description	Code
1	Double Switch Basin	10145
2	Basin Support Plate	21133
3	Double Switch Basin Assembly	C10325
5	Discharges Manifold	C10384
7	Microswitch	23055
8	Assembled Ice Outlet Pipe	C13115
9	Bin Level Control Switch	C22099

Parts for Water-Cooled Version Only

Ref.	Spare Description	Code
6	Rubber Holder with Plate	C20462



Rev. 4 - 20/10/2003



G 1000

ELECTRIC PARTS

Common Parts

Ref.	Spare Description	Code
1	Safety Pressure-Switch (Maximum Pressure)	23342
2	Safety Pressure-Switch (Minimum Pressure)	23577
4	Anti Radio Interference Filter 400V 3N 50 Hz	23457
5	Green Light Switch	23327
6	Inlet Watervlve 1 Way	23001
9	Relè	23190
10	Contactor	23147
12	Bin Thermostat	23421
14	Rotation Sensor	Current Version 23676
14a	Probe of the Rotation-Sensor Electrical Control Block	Till s/n. 185689 23634
14b	Rotation Sensor Switchboard	Till s/n. 185689 23633
17	Gearmotor	Current Version 23638
17	Gearmotor	Till s/n.160132 23571
19	Electronic Timer	Till s/n.160132 23560
20	Contactor	Till s/n.160132 23594

Parts for Air-Cooled Version Only

Ref.	Spare Description	Code
8	Fan Motor	See Table -
11	Condenser Pressure Switch	23175
13	Anti Radio Interference Filter 400V 3N 50 Hz	23459
15	Condenser 5µf	23469
18	Fan Motor Grid	See Table -

Parts for Water-Cooled Version Only

Rif.	Descrizione Ricambio	Codice
16	1 Way Inlet Water Nipple	10239

Ref. 8 - Fan Motor

Tension	Code
400V 3N 50 Hz	23468
220/230V 3 60 Hz	23467

Ref. 18 - Fan Motor Grid

Tension	Code
400V 3N 50 Hz	12053
220/230V 3 60 Hz	12052

Rev. 4 - 20/10/2003

