

CM250 Parts List

Table of Contents

Cabinet Exterior

Cabinet Interior

Air Cooled Refrigeration

Water Cooled Refrigeration

Water System

Control Box

Wiring Diagrams

CM250 THE PARTS ILLUSTRATIONS AND PARTS LISTS

GENERAL

This section contains the Parts Illustrations and the Parts List for each of the major assemblies in the CM250 Modular Cuber.

A *No Number* designation, when used in the Part Number Column indicates the unit is not available from SCOTSMAN as an assembly. This designation is used only for the convenience and clarity of division in cataloging.

HOW TO ORDER PARTS OR ASSEMBLIES

When ordering parts or assemblies, to avoid costly delays and errors in shipment, give the part number, the complete description shown in the list, and the quantities of each part or assembly required. Also include the model name, the serial number of the icemaker for which the part is required and for parts which require color matching, the color of the cabinet.

All part numbers have TEN DIGITS (spaces), required for use in the Computer System. BE SURE to fill in ALL SPACES in the CATALOG NUMBER column, on the parts order form.

Enter the QUANTITY of the parts ordered, in the last digit column under the QUANTITY column heading, the one under the small 55 number, for parts from 1 thru 9. For 10 or more parts use two columns.

CM250's were manufactured in "A", "C", "D" and "E" models. This parts list is good for all models. **You must check the units complete model number to be certain of obtaining the correct parts.**

WIRING DIAGRAMS

This section is provided as an aid in understanding the electrical circuitry of the CM250 Modular Cuber.

//////////////////// **WARNING** //////////////////////

When conducting a continuity check of the modular cuber:

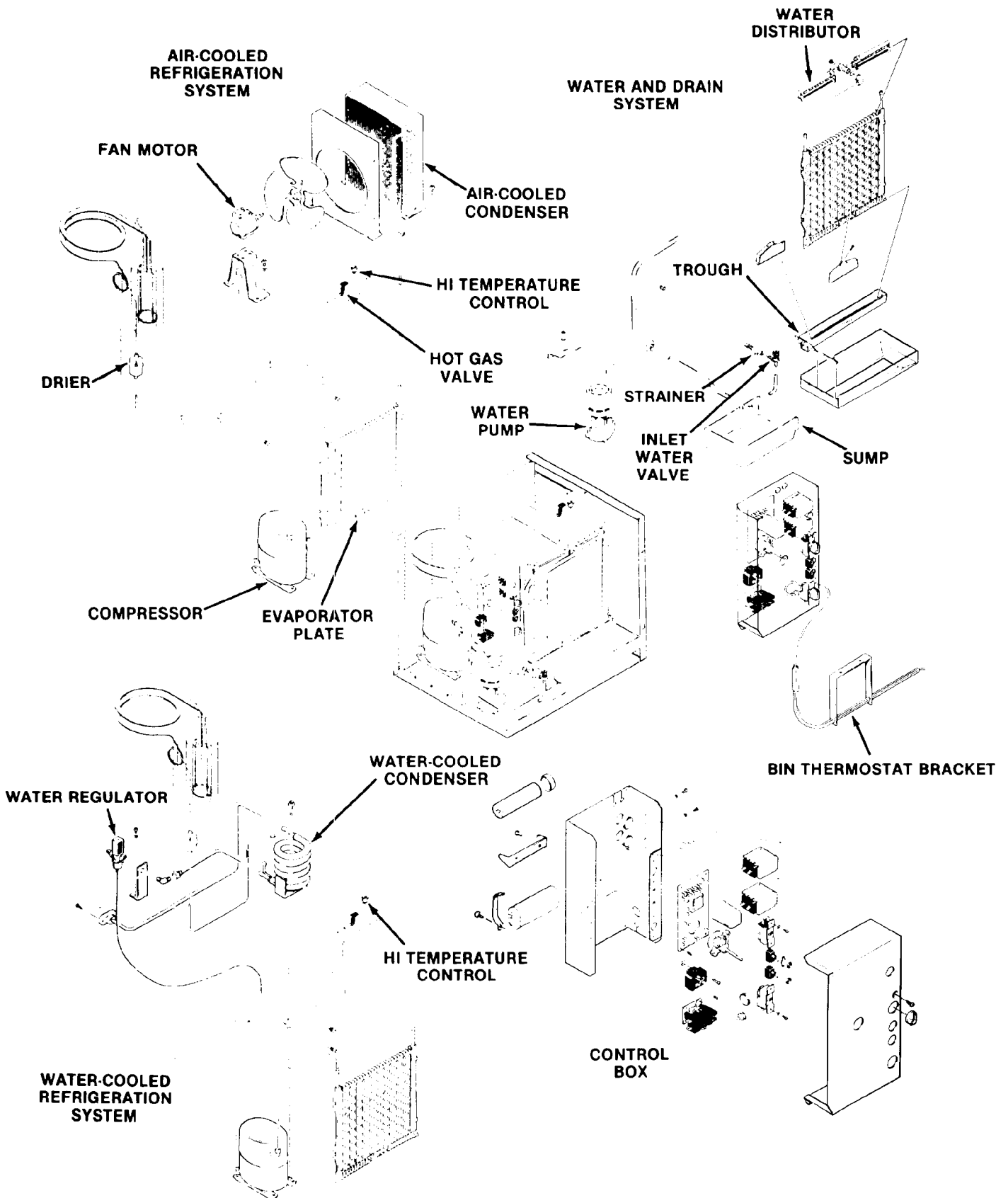
1. Disconnect the main power source.
2. DO NOT use an incandescent lamp or jumper wire, conduct all tests with a volt-ohm-meter.

////////////////////////////////////

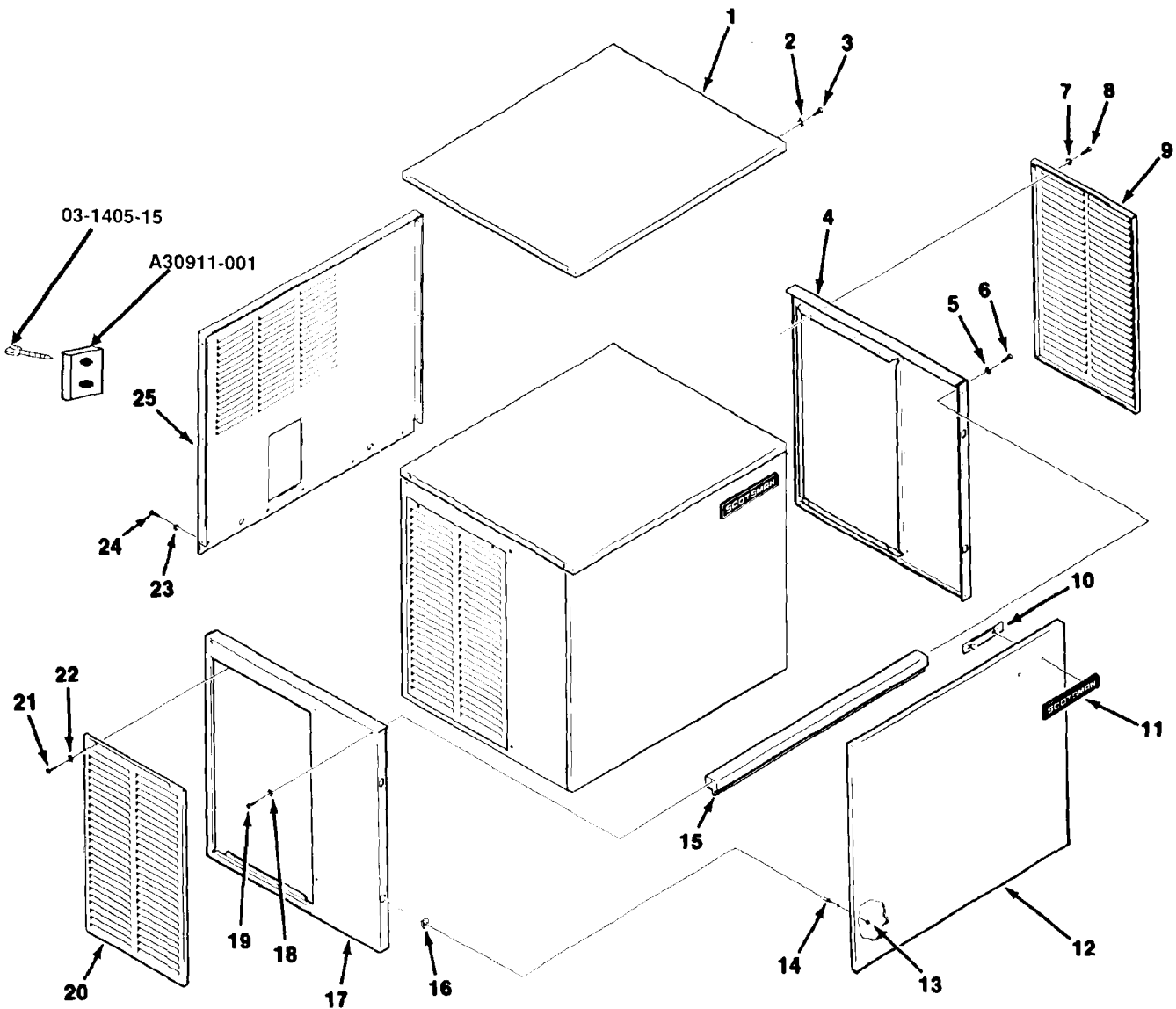
The wiring diagrams in this Section are:

- CM250AE-1C (115/60/1) Air Cooled
- CM250WE-1C (115/60/1) Water Cooled
- CM250AE-1D (115/60/1) Air Cooled
- CM250WE-1D (115/60/1) Water Cooled
- CM250AE-1E (115/60/1) Air Cooled
- CM250WE-1E (115/60/1) Water Cooled

CM250 THE PARTS ILLUSTRATIONS AND PARTS LISTS



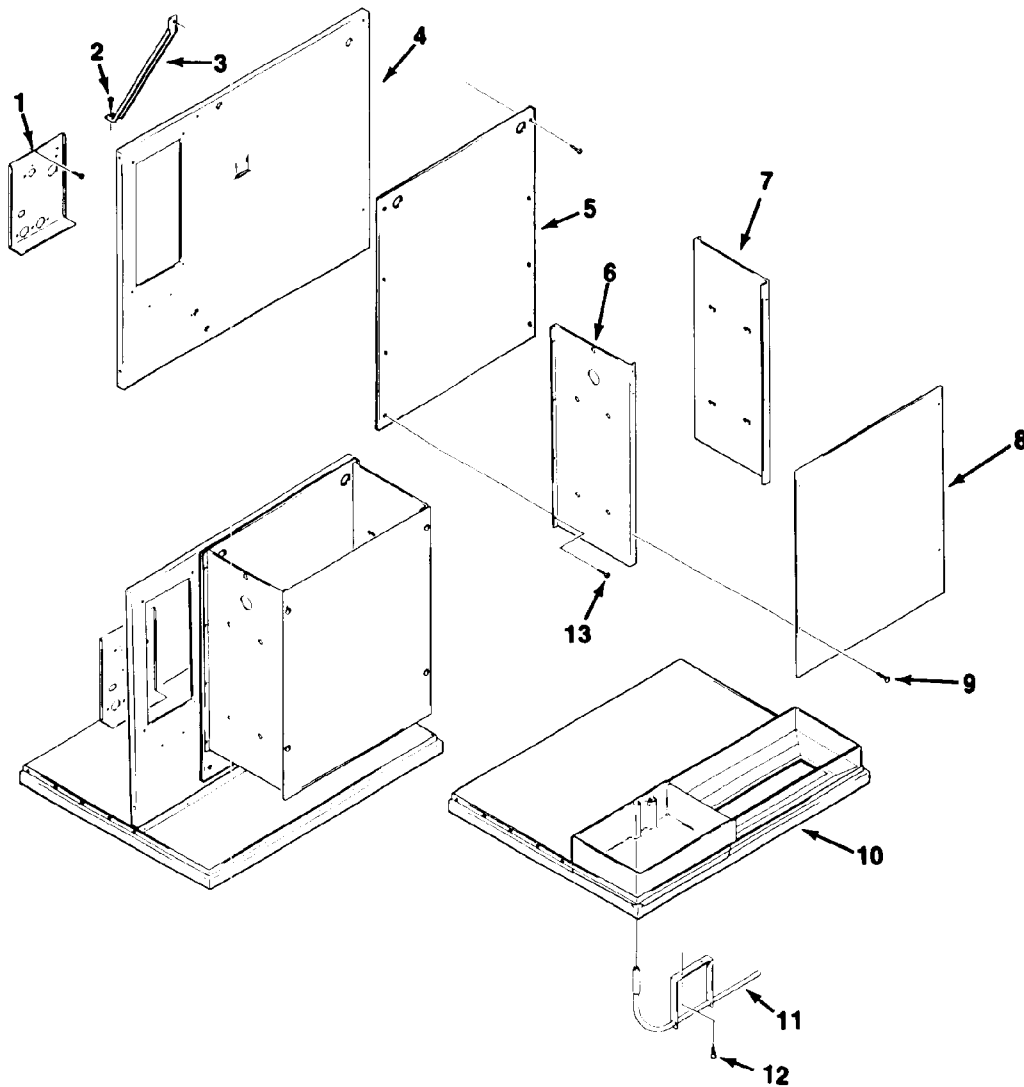
CM250 THE PARTS ILLUSTRATIONS AND PARTS LISTS



CABINET ASSEMBLY (PART I)

ITEM NUMBER	PART NUMBER		DESCRIPTION	ITEM NUMBER	PART NUMBER		DESCRIPTION
	"A" & "C"	"D" & "E"			"A" & "C"	"D" & "E"	
1	A31045-001	A32159-001	Top Panel, Enamel	13	03-1406-04	Same	Nut, #8-32
	A31045-002	A32159-002	Top Panel, Stainless Steel	14	15-0411-00	Same	Strike
2	03-1417-03	Same	Lockwasher	15	No Number	A32169-001	Front Support
3	03-1531-01	Same	Screw, #8-32	16	02-0836-00	Same	Cabinet Catch
4	A31044-001	A32162-001	End Panel (Right), Enamel	17	A31043-001	A32163-001	End Panel (Left), Enamel
	A31044-002	A32162-002	End Panel (Right), Stainless Steel		A31043-002	A32163-002	End Panel (Left), Stainless Steel
5	03-1417-03	Same	Lockwasher	18	03-1417-03	Same	Lockwasher
6	03-1531-01	Same	Screw	19	03-1531-01	Same	Screw
7	03-1417-03	Same	Lockwasher	20	A31242-001	A32161-001	Service Panel, Enamel
8	03-1404-12	Same	Screw		A31242-002	A32161-002	Service Panel, Stainless Steel
9	A31242-001	A32161-001	Service Panel, Enamel	21	03-1404-12	Same	Screw, #8-32
	A31242-002	A32161-002	Service Panel, Stainless Steel	22	03-1412-03	Same	Lockwasher
10	03-0271-00	Same	Speed Nut	23	03-1417-03	Same	Lockwasher
11	15-0711-00	Same	Emblem	24	03-1531-01	Same	Screw
12	A30900-001	A32160-001	Front Panel, Enamel	25	A31048-001	A32202-001	Back Panel, F.A.
	A30900-002	A32160-002	Front Panel, Stainless Steel				

CM250 THE PARTS ILLUSTRATIONS AND PARTS LISTS

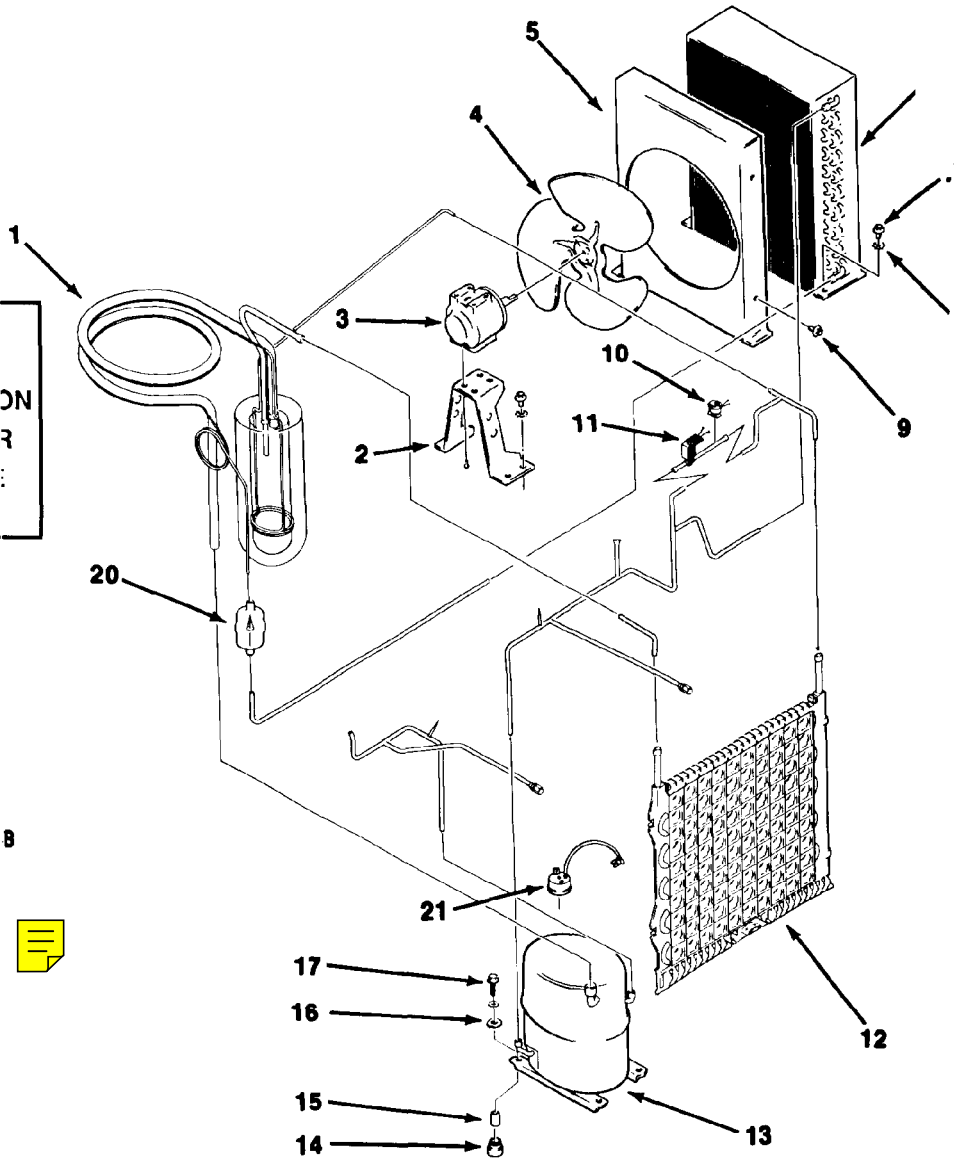
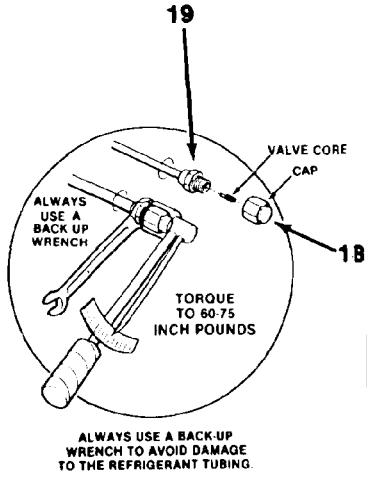


CABINET ASSEMBLY (PART II)

ITEM NUMBER	PART NUMBER	DESCRIPTION
	"A" & "C" "D" & "E"	
1	A30398-001 A32166-001	Junction Box Bracket
2		Screw
3	A30906-001 A32210-001	Support Brace
4	A31151-001 A32157-001	Retainer F.A.
5	02-2810-01 02-2867-01	Splash Panel
6	A30895-001 A32172-001	Evaporator Bracket (Right)
7	A30896-001 A32173-001	Evaporator Bracket (Left)
8	A30897-001 A32165-001	Evaporator Plate Cover
9	03-0727-09 Same	Thumbscrew
10	A30894-001 A32153-001	Base
11	A30959-001 A32262-001	Bin Thermostat Bracket
12	03-0727-05 03-0727-09	Thumbscrew
13		Screw

CM250 THE PARTS ILLUSTRATIONS AND PARTS LISTS

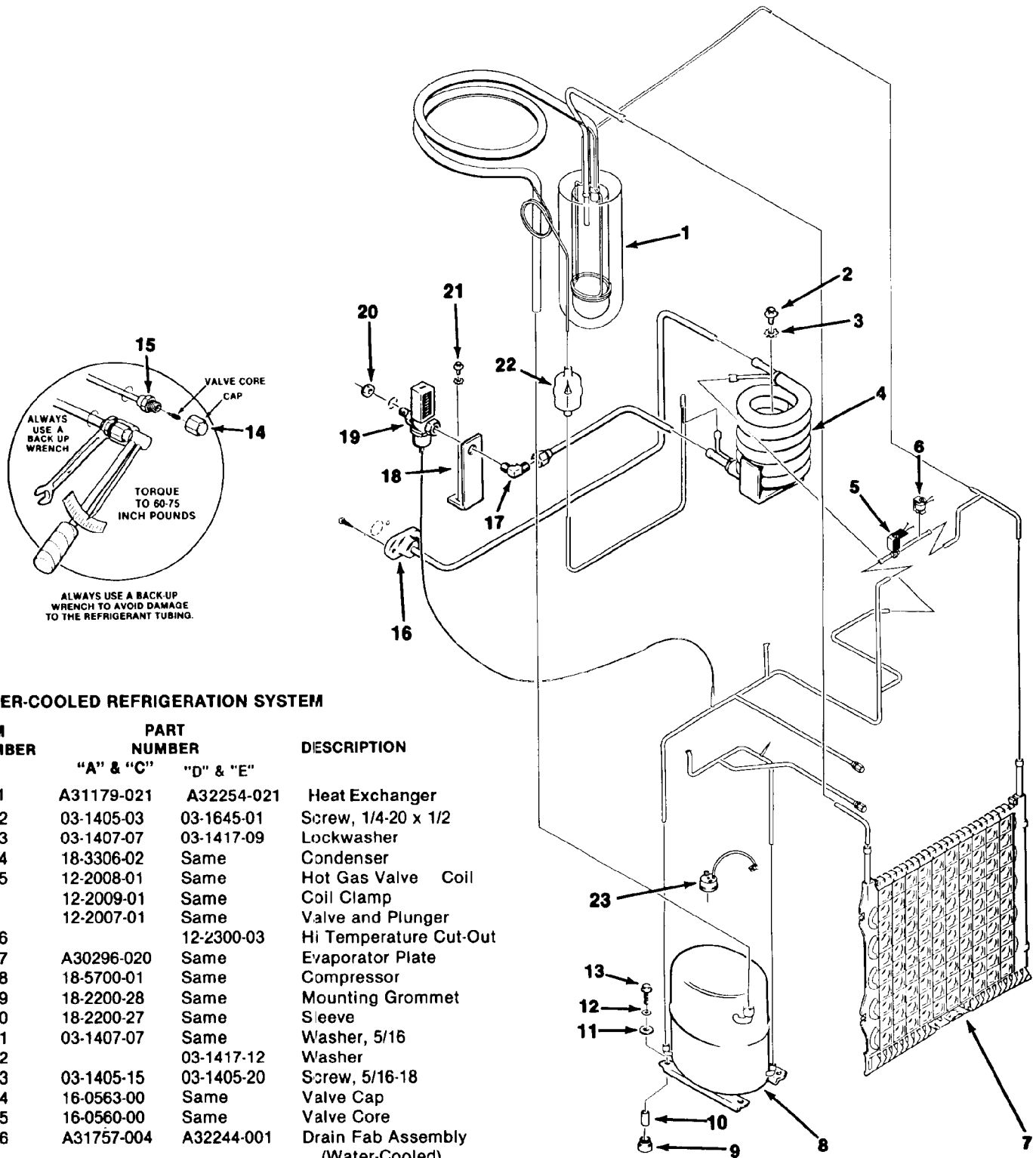
CM250 "E" MODEL		
ITEM NUMBER	PART NUMBER	DESCRIPTION
3.	18-7200-01	FAN MOTOR
4	18-7201-01	FAN BLADE
5	A33215-001	SHROUD



AIR-COOLED REFRIGERATION SYSTEM

ITEM NUMBER	PART NUMBER		DESCRIPTION	ITEM NUMBER	PART NUMBER		DESCRIPTION
	"A" & "C"	"D" & "E"			"A" & "C"	"D" & "E"	
1	A31179-021	A32254-021	Heat Exchanger	12	A30296-020	Same	Evaporator Plate
2	18-3739-01	Same	Motor Mount	13	18-5700-01	Same	Compressor
3	18-5105-11	Same, expt E	Fan Motor	14	18-2200-28	Same	Mounting Grommet
4	18-3732-01	Same, expt E	Fan Blade	15	18-2200-27	Same	Sleeve
5	A23929-001	A32171-001	Shroud (not for "E")	16	03-1407-07	Same	Washer, 5/16
6	18-0398-01	18-0398-01	Condenser	17	03-1405-15	03-1405-20	Screw
7	03-1405-03	03-1645-01	Screw, 1/4-20 x 1/2	18	16-0563-00	Same	Valve Cap
8	03-1410-03	Same	Lockwasher	19	16-0560-00	Same	Valve Core
9	03-1404-29	Same	Screw, #8-32	20	02-2426-02	Same	Drier Filter
10	12-2300-03	Same	Hi Temperature Cut-out	21	18-5700-50	Same	Overload Compressor
11	12-2008-01	Same	Hot Gas Solenoid Coil				

CM250 THE PARTS ILLUSTRATIONS AND PARTS LISTS

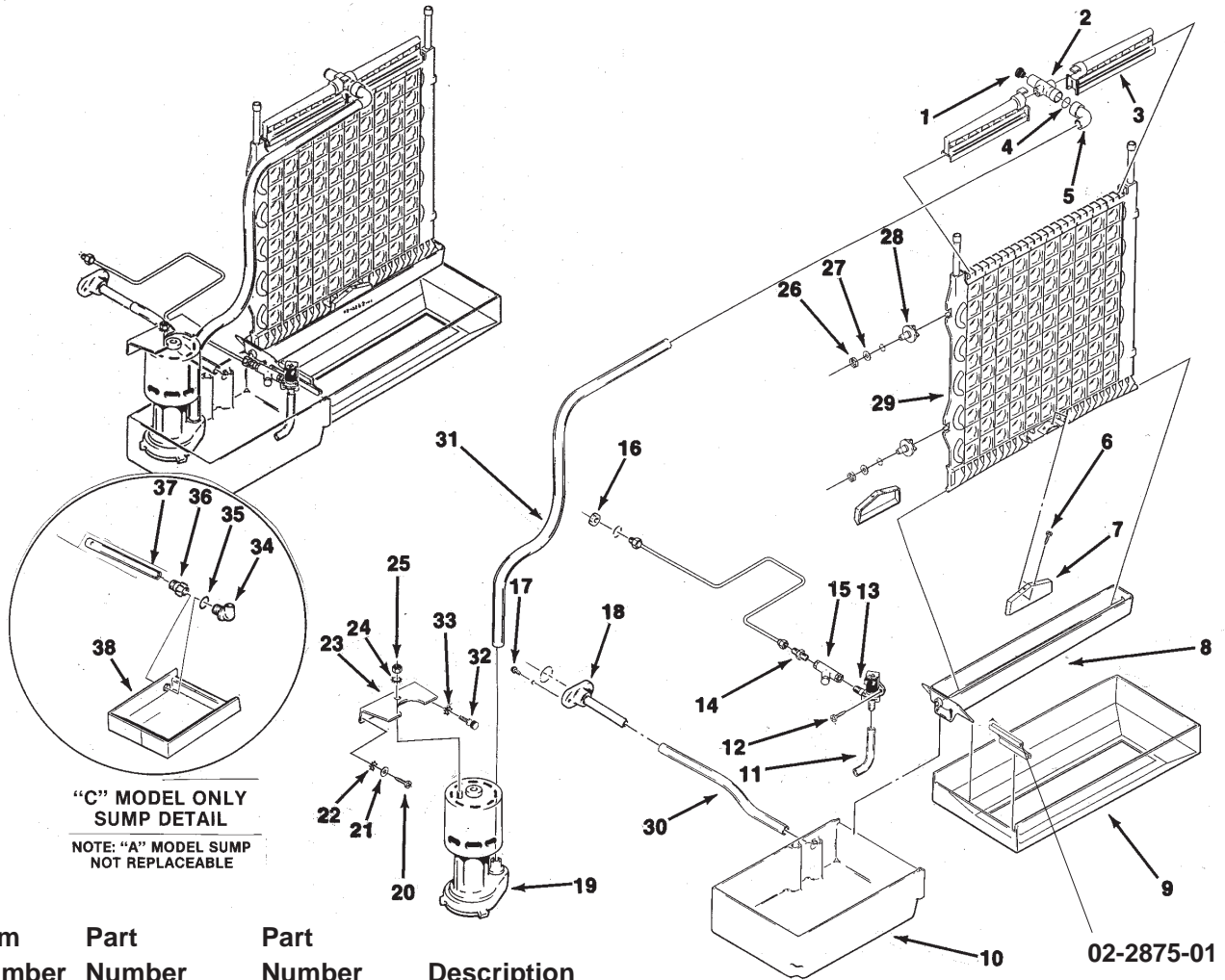


WATER-COOLED REFRIGERATION SYSTEM

ITEM NUMBER	PART NUMBER		DESCRIPTION
	"A" & "C"	"D" & "E"	
1	A31179-021	A32254-021	Heat Exchanger
2	03-1405-03	03-1645-01	Screw, 1/4-20 x 1/2
3	03-1407-07	03-1417-09	Lockwasher
4	18-3306-02	Same	Condenser
5	12-2008-01	Same	Hot Gas Valve Coil
	12-2009-01	Same	Coil Clamp
	12-2007-01	Same	Valve and Plunger
6		12-2300-03	Hi Temperature Cut-Out
7	A30296-020	Same	Evaporator Plate
8	18-5700-01	Same	Compressor
9	18-2200-28	Same	Mounting Grommet
10	18-2200-27	Same	Sleeve
11	03-1407-07	Same	Washer, 5/16
12		03-1417-12	Washer
13	03-1405-15	03-1405-20	Screw, 5/16-18
14	16-0563-00	Same	Valve Cap
15	16-0560-00	Same	Valve Core
16	A31757-004	A32244-001	Drain Fab Assembly (Water-Cooled)
17	16-0401-17	Same	Brass Elbow
18	No Number	Same	Bracket
19	11-0424-01	Same	Water Regulator Valve
20	03-1394-01	Same	Pal Nut
21	03-1403-14	Same	Screw, #8 x 3/16
22	02-2426-02	Same	Drier Filter
23	18-5700-50	Same	Overload Compressor

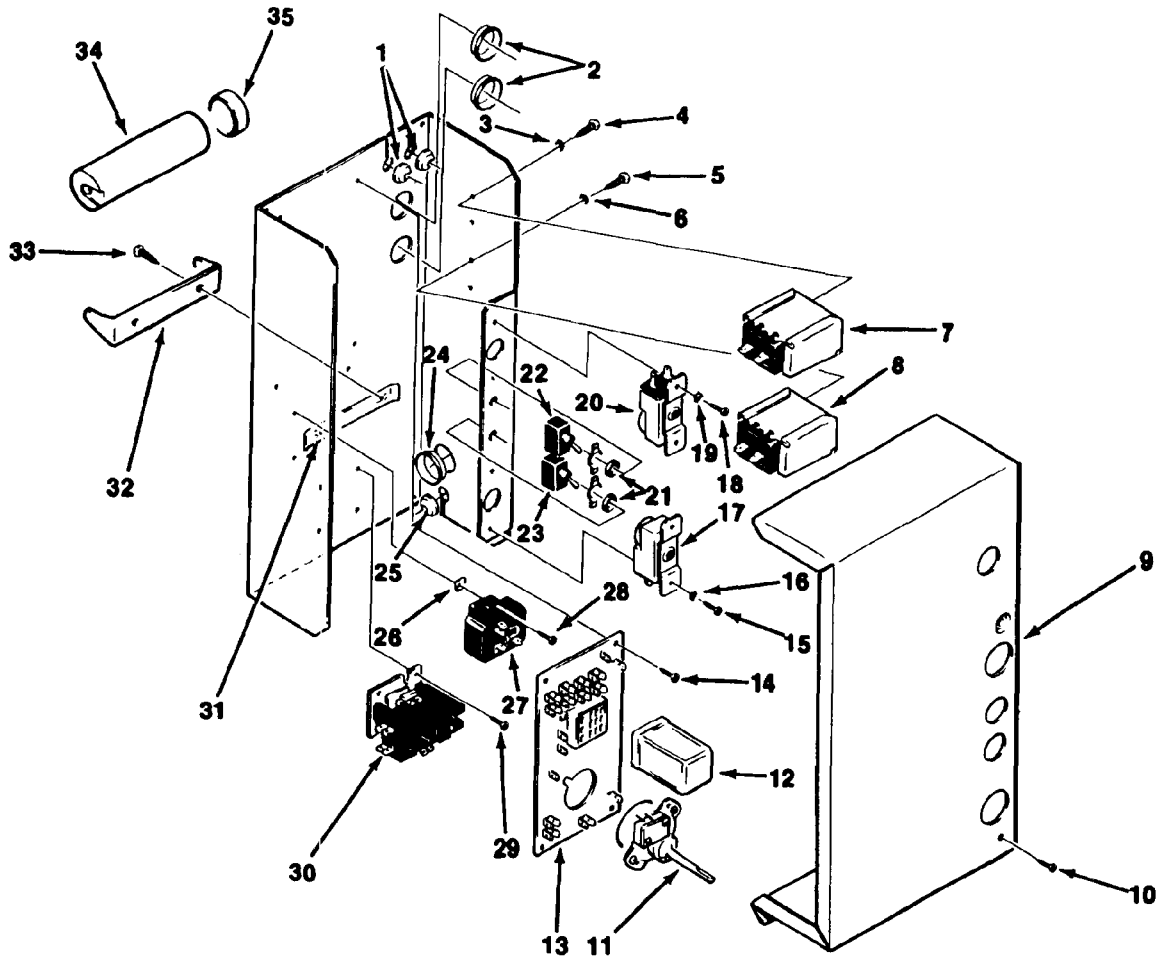
CM250 Service Parts

Water System



Item Number	Part Number	Part Number	Description
	A-C	D series	
1	13-0840-01	same	Manifold hole plug
2	A29703-001	same	Manifold water tube
3	02-2527-01	same	Water distrib tube
4	13-0617-48	same	O-ring
5	16-0671-01	same	Plastic tee
6	03-1404-10	same	Screw
7	02-2878-01	same	Sump end cover
8	02-2801-01	02-2868-01	Drain trough
9	no number	no number	Cube chute
10	02-2852-02	02-2869-01	Sump
11	A30918-001	same	Sump inlet tube
12	03-1531-01	same	Screw
13	12-2261-01	12-2313-01	Inlet water valve
14		16-0791-01	Half union coupling
15		16-0162-00	Strainer
16	03-1394-01	same	Pal nut
17	03-1405-03	03-1645-01	Screw
18	A31757-004	A32282-003	Drain (AC)
19	12-2260-21	same	Water pump
20			03-1403-17 Screw
21			03-1407-03 Washer
22			03-1408-31 Washer
23	A30914-001	A30914-002	Pump bracket
24	03-1417-03	03-1417-05	Lockwasher
25	03-1406-03	03-1406-05	Nut
26		03-1394-03	Pal nut
27		03-1408-34	Washer
28	02-2642-01	same	Plate
29	A30296-020	same	Evaporator
30	no number	13-0674-07	Drain hose, 8"
31	13-0674-07	same	Water hose, 3.3"
32	02-0727-09	same	Thumbscrew
33	03-1417-03	same	Lockwasher
A & C Detail			
	A	C	
34	A30917-001	A30917-002	Stand pipe
35	13-0617-02	same	O-ring
36	02-2606-01	same	Tube
37	13-0674-07	same	Tube, 3.5"

CM250 THE PARTS ILLUSTRATIONS AND PARTS LISTS

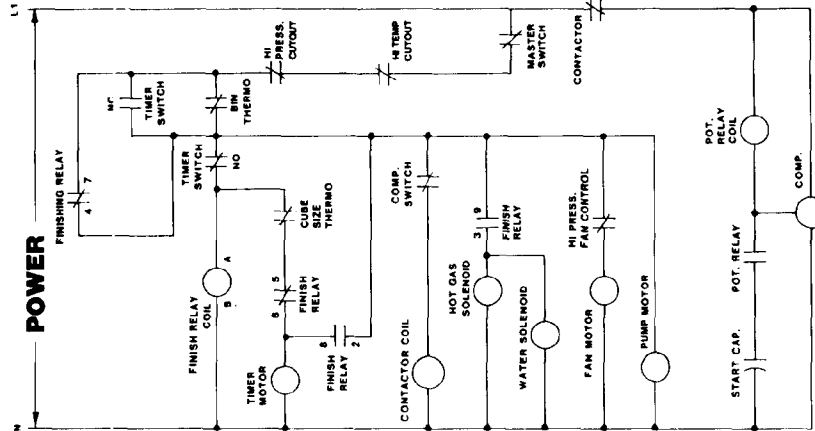
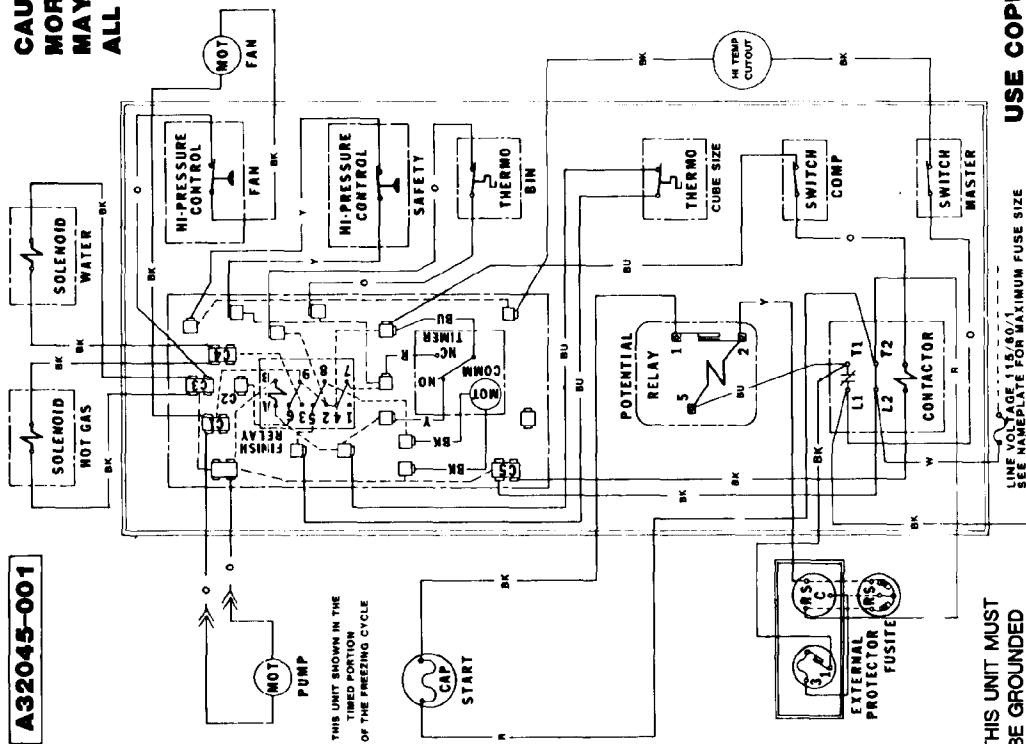


CONTROL BOX

ITEM NUMBER	PART NUMBER		DESCRIPTION	ITEM NUMBER	PART NUMBER		DESCRIPTION
	"A" & "C"	"D" & "E"			"A" & "C"	"D" & "E"	
1	13-0557-00	Same	Grommet	18	03-1403-05	Same	Screw, #8-32 (2)
2	12-1213-10	Same	Snap Bushing	19	03-1417-03	Same	Tooth Lockwasher
3	03-1417-18	Same	Tooth Lockwasher (2)	20	11-0428-01	Same	Cube Size Control
4	03-1403-02	Same	Screw, #8-32 (2)	21	03-1417-16	Same	Tooth Lockwasher
5	03-1403-02	Same	Screw, #8-32 (2)	22	12-0428-01	Same	Switch SPST
6	03-1417-18	Same	Tooth Lockwasher (2)	23	12-0428-01	Same	Switch SPST
7	11-0428-01	Same	Fan Pressure Control (Air-Cooled Only)	24	12-1213-17	Same	Snap Bushing
8	11-0425-01	Same	High Pressure Control (Air-Cooled)	25	13-0557-00	Same	Grommet
	11-0410-02	Same	High Pressure Control (Water-Cooled)	26	03-1423-01	Same	Speed Nut (1)
9	A30902-001	A32168-001	Control Box Cover	27	18-1903-31	Same	Potential Relay
10	03-1531-01	Same	Screw	28	03-1403-02	Same	Screw, #8-32 (2)
11	12-1980-01	Same	Timer	29	03-1403-15	Same	Screw, #8-32
12	12-1879-02	Same	Relay, 3PDT	30	12-2048-01	Same	Contactors
13	12-1912-01	Same	Circuit Board	31	03-1103-00	Same	Twin Speed Nut (1)
14	03-1403-02	Same	Screw, #8-32 (5)	32	18-2200-39	Same	Start Capacitor Bracket
15	03-1403-05	Same	Screw, #8-32 (2)	33	03-1403-15	Same	Screw
16	03-1417-03	Same	Tooth Lockwasher	34	18-1901-47	Same	Start Capacitor
17	11-0427-02	Same	Bin Thermostat	35	18-2200-38	Same	Start Capacitor Cap

CM250C WIRING DIAGRAM

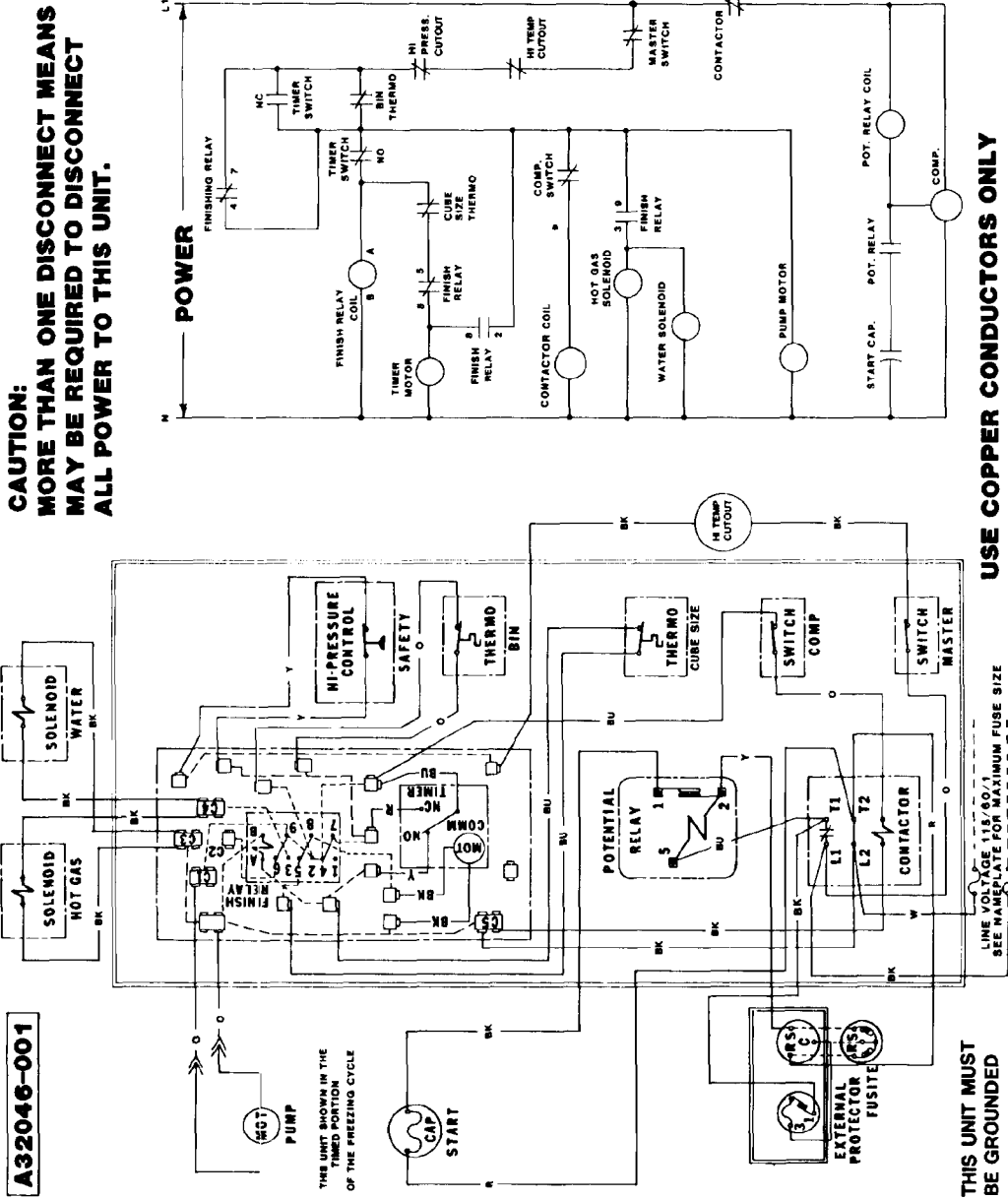
CAUTION:
MORE THAN ONE DISCONNECT MEANS
MAY BE REQUIRED TO DISCONNECT
ALL POWER TO THIS UNIT.



USE COPPER CONDUCTORS ONLY

Use of the High Temperature cut-out begins with Serial Number 885250-03G

CM250C WIRING DIAGRAM

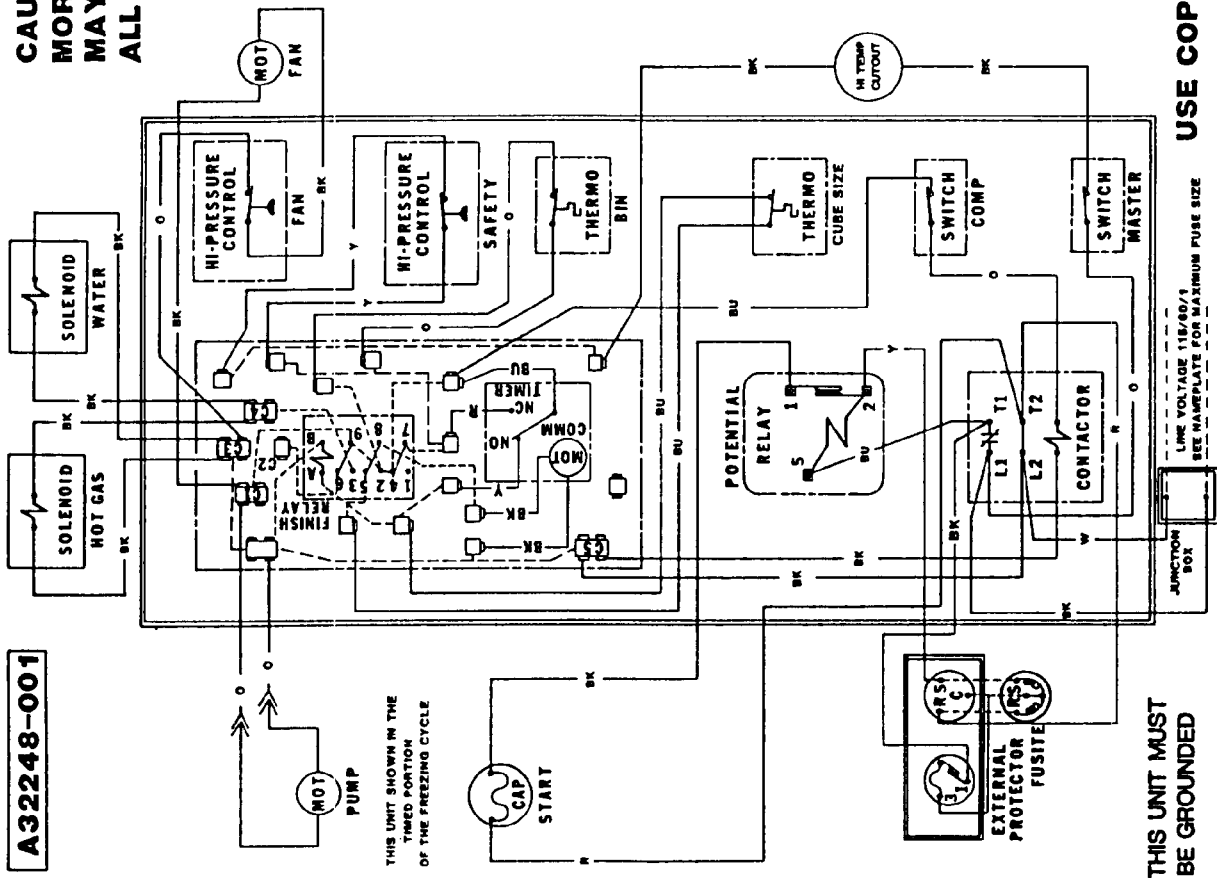


Use of the High Temperature cut-out begins with Serial Number 885250-03G

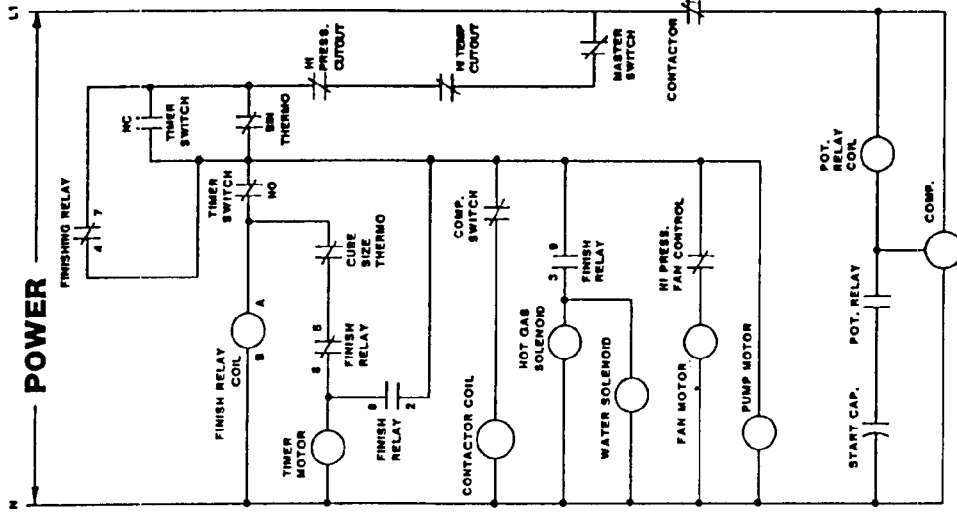
CM250WE-1C Wiring Diagram (115/60/1) Water-Cooled

CM250 D AND E WIRING DIAGRAM

CAUTION:
MORE THAN ONE DISCONNECT MEANS
MAY BE REQUIRED TO DISCONNECT
ALL POWER TO THIS UNIT.



A32248-001



USE COPPER CONDUCTORS ONLY

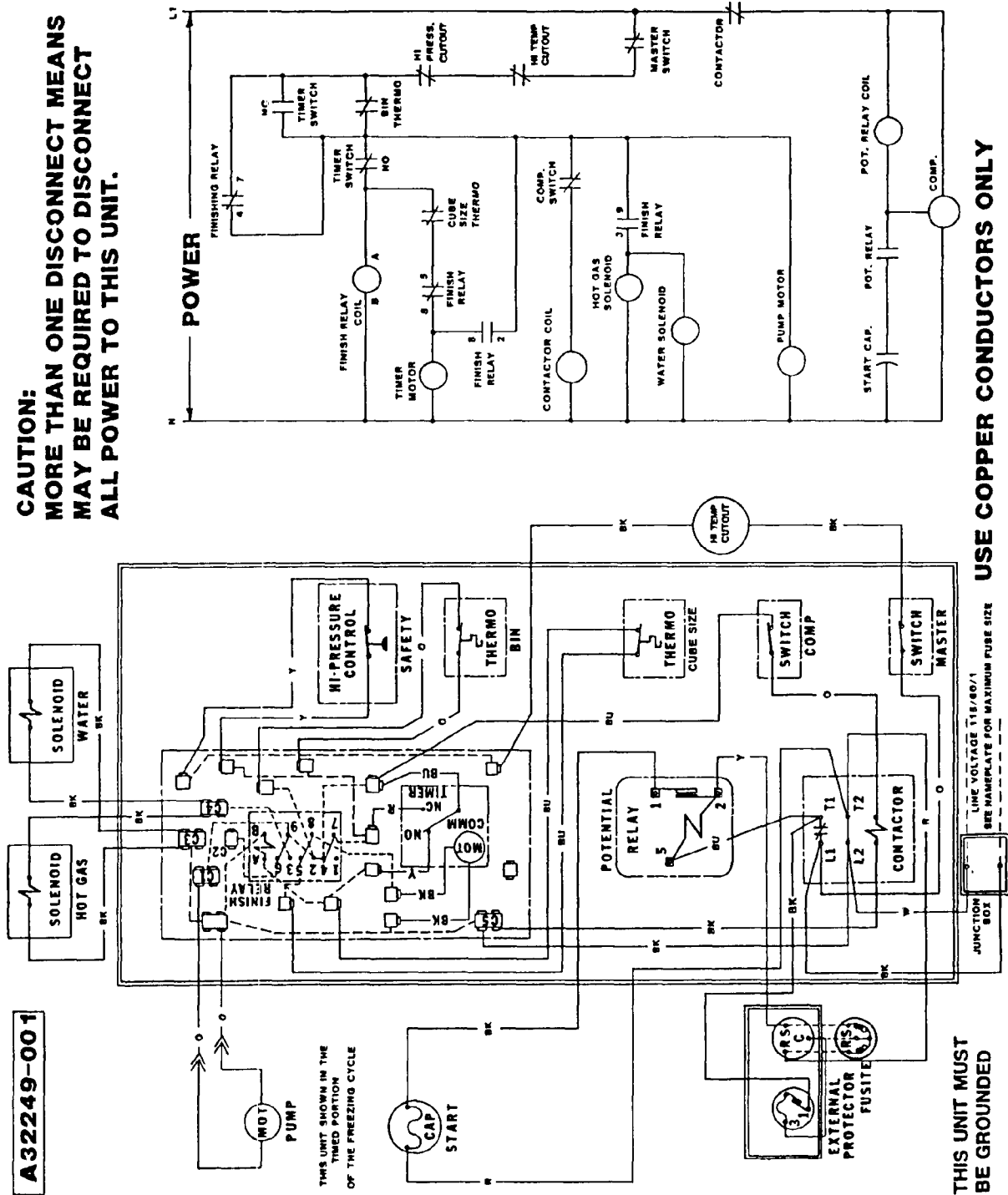
LINE VOLTAGE 115/60/1
 SEE MANUFACTURER'S LITERATURE FOR MAXIMUM FUSE SIZE

THIS UNIT MUST BE GROUNDED

Wiring Diagram CM250AE-1D and CM250AE-1E (115/60/1)

CM250 D AND E WIRING DIAGRAM

CAUTION:
MORE THAN ONE DISCONNECT MEANS
MAY BE REQUIRED TO DISCONNECT
ALL POWER TO THIS UNIT.



USE COPPER CONDUCTORS ONLY

LINE VOLTAGE 115/60/1
 SEE NAMEPLATE FOR MAXIMUM FUSE SIZE

THIS UNIT MUST BE GROUNDED

A32249-001

THIS UNIT SHOWN IN THE
 TIMED PORTION OF THE
 FREEZING CYCLE

Wiring Diagram CM250WE-1D and CM250WE-1E (115/60/1)