

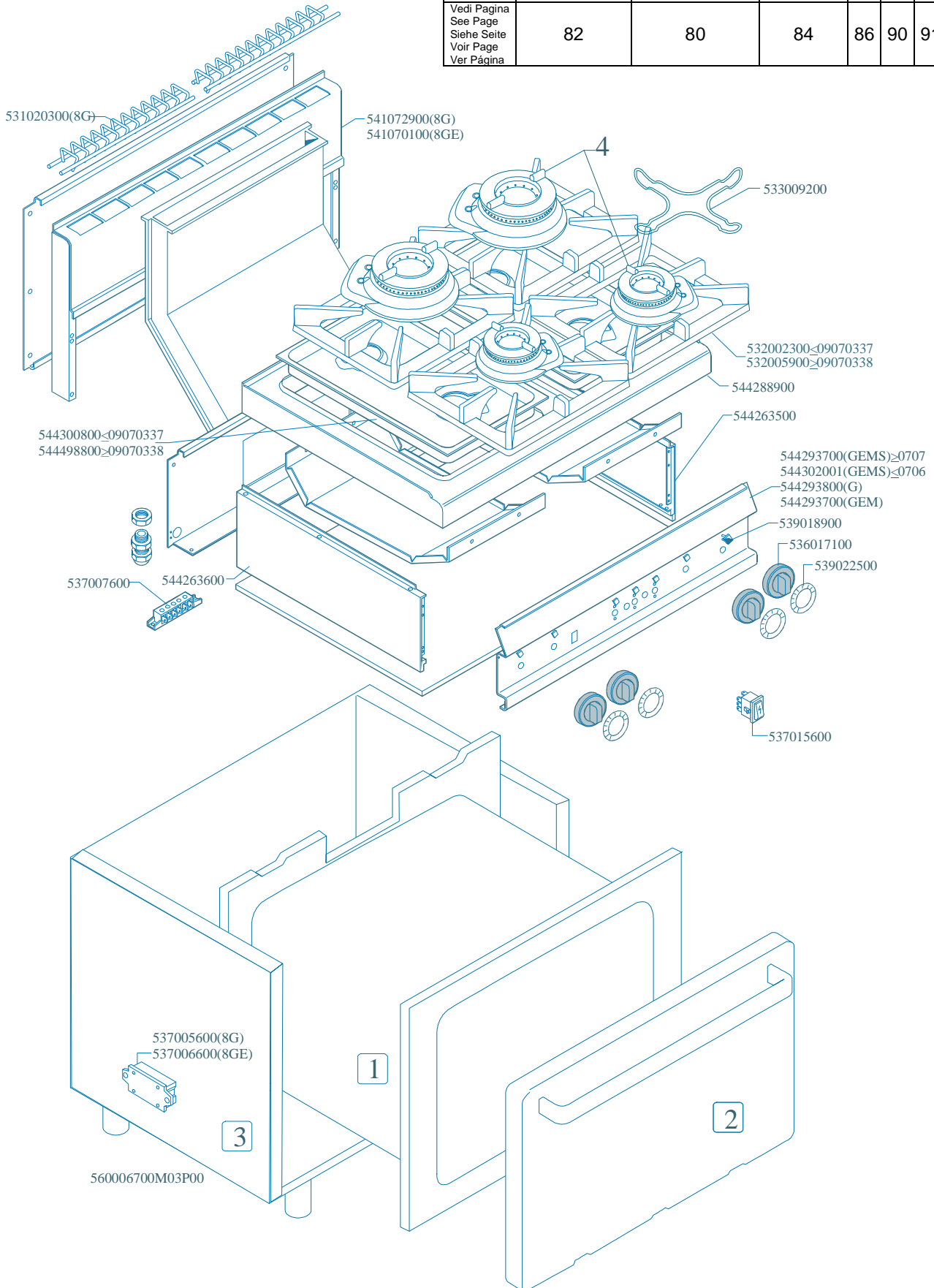
MAGIC PROF 65

CUCINE / RANGES / HERDE / CUISINIÈRES / N° ≥0309

CF...-8...

CF4-8G CF4-8GEM CF4-GEMS

| | 1CF4-8GEM | 1CF4-8GEMS | 1CF4-8G | 2 | 3 | 4 |
|---|-----------|------------|---------|----|----|----|
| Vedi Pagina See Page Siehe Seite Voir Page Ver Pàgina | 82 | 80 | 84 | 86 | 90 | 91 |

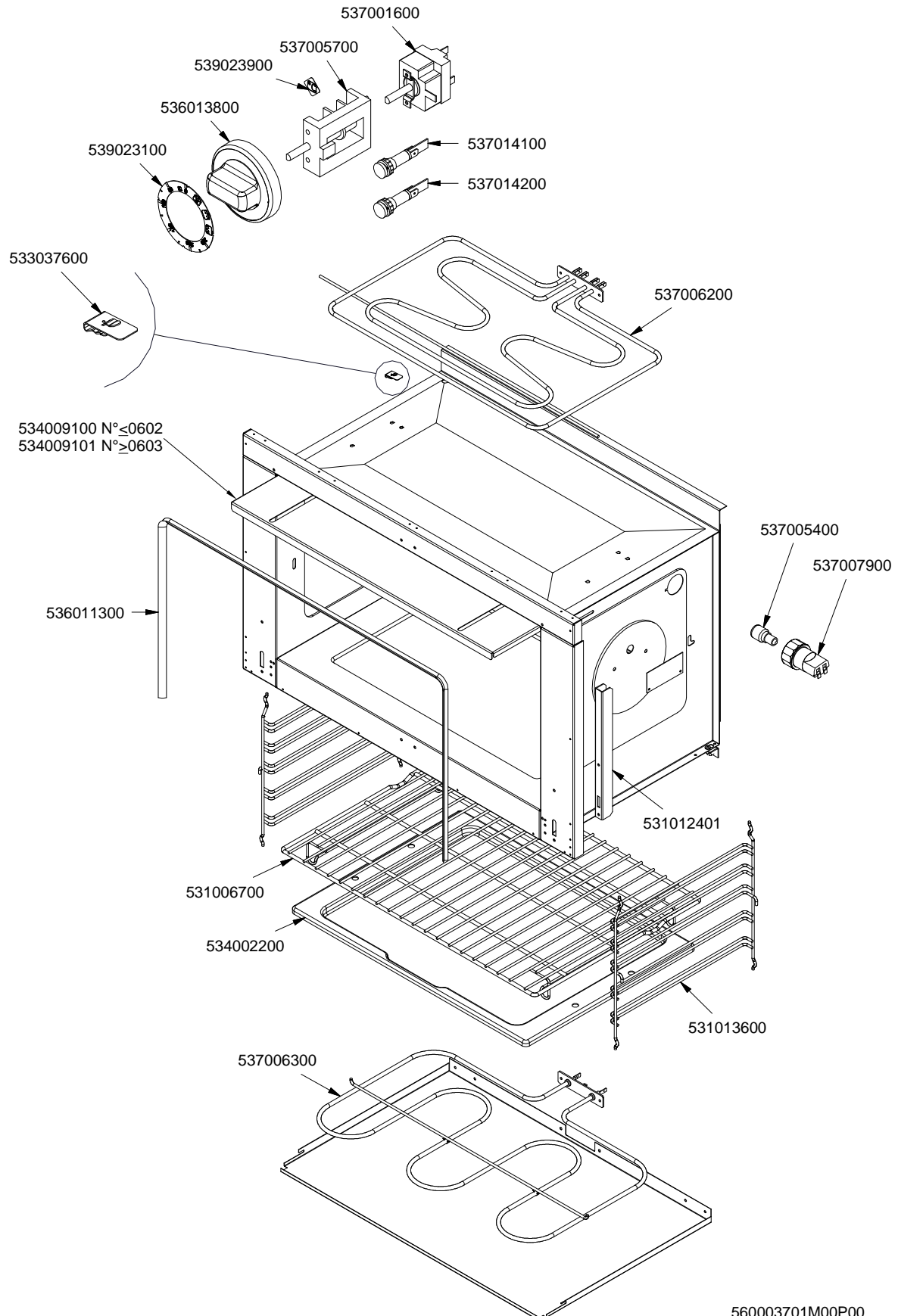


MAGIC PROF 65

CUCINE / RANGES / HERDE / CUISINIÈRES / N° ≥0309

FORNO / OVEN / BACKOFEN / FOUR

STATICO ELETTRICO / TRADITIONAL ELECTRIC / STATISCHER ELEKTRO /
ELECTRIQUE STATIQUE ≤0705

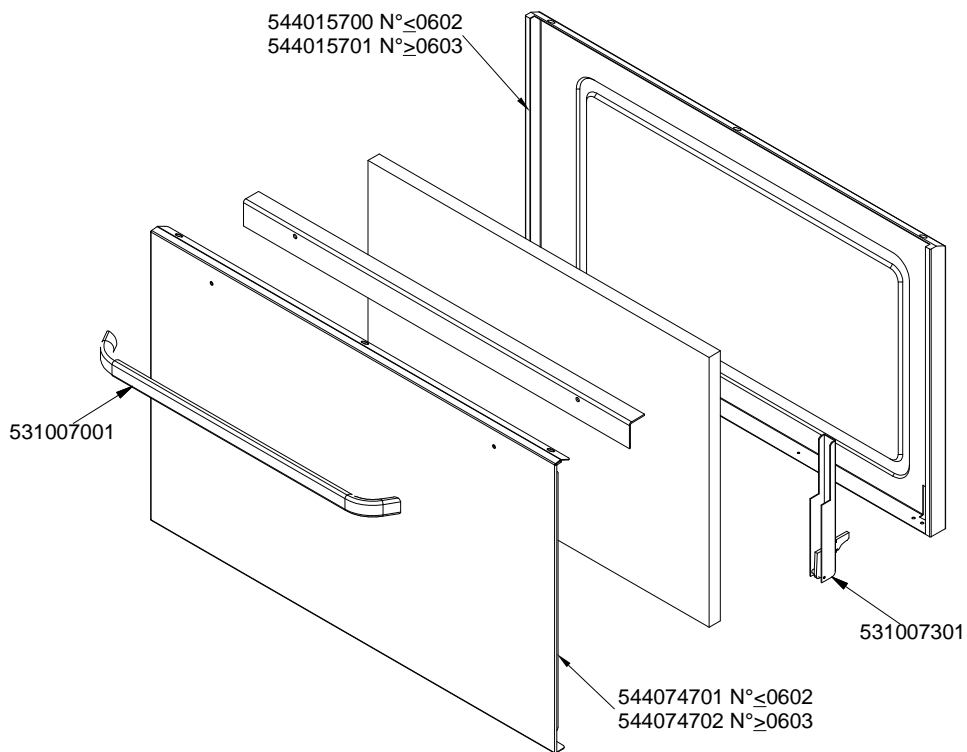
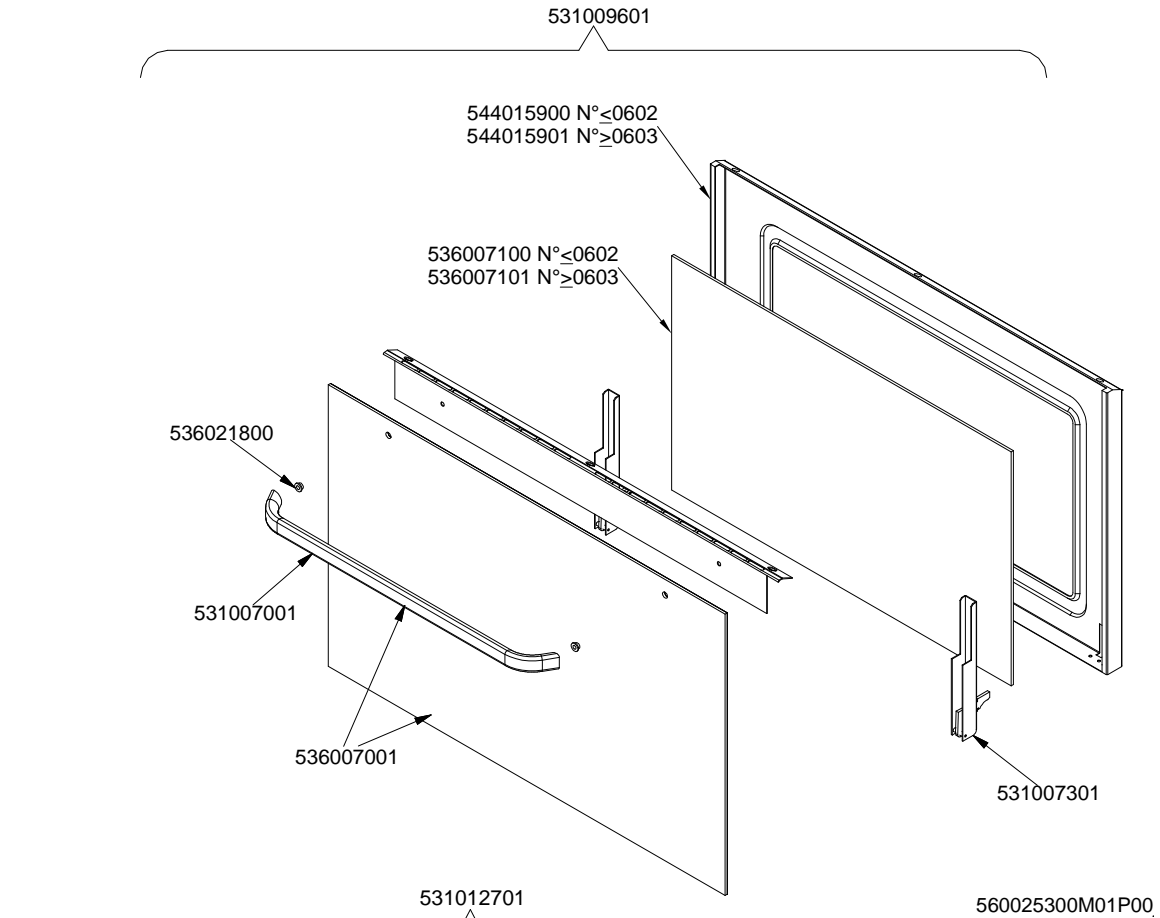


MAGIC PROF 65

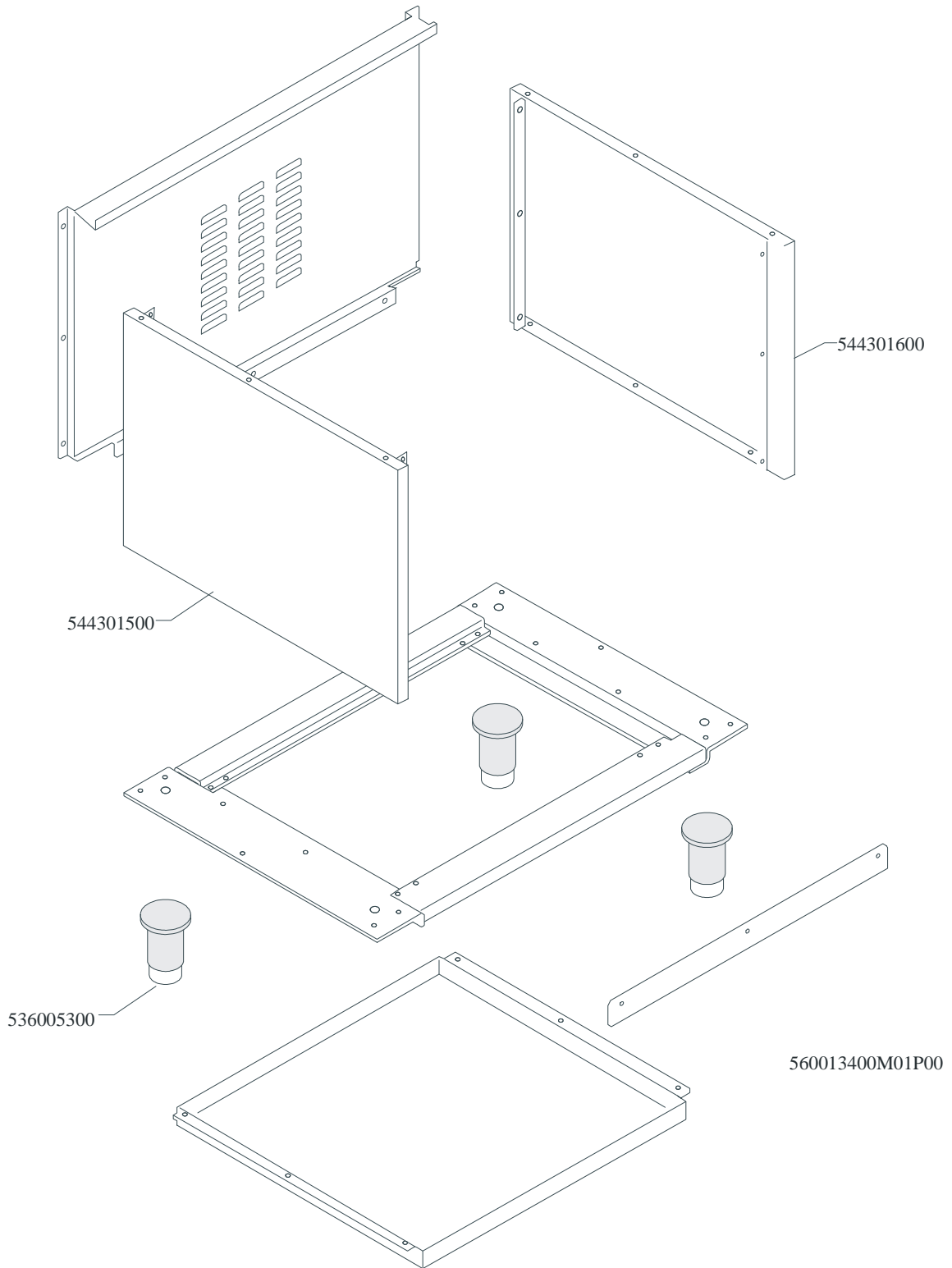
CUCINE / RANGES / HERDE / CUISINIÈRES / N° ≥ 0309

FORNO / OVEN / BACKOFEN / FOUR

PORTE / DOORS / TÜREN / PORTES ≤ 0705

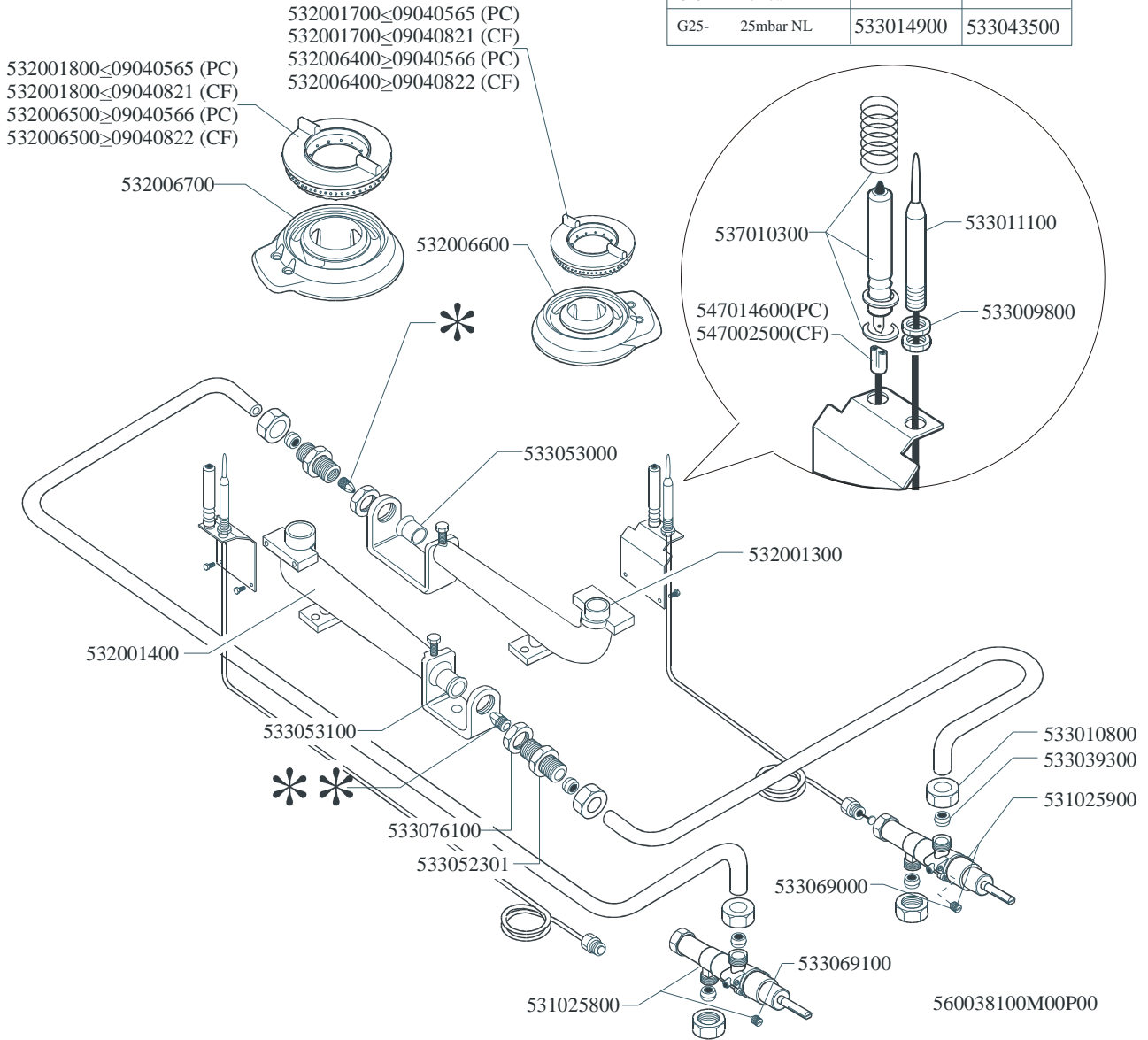


CF



PC

| | * | ** |
|-------------------------------|-----------|-----------|
| G30- 28+30mbar G31- 37mbar | 533015400 | 533043400 |
| G30- 50mbar | 533015300 | 533043300 |
| G20- 20mbar G25- 25mbar | 533015200 | 533019400 |
| G25- 20mbar | 533030300 | 533043600 |
| G25- 25mbar NL | 533014900 | 533043500 |



| Page | Pos | Code | Description |
|------|-----|-----------|-------------------------------------|
| 001 | | 533009200 | REDUCTION FOR 65 AND 70 LINE |
| 001 | | 532002300 | 1 FLAME GRILL 346X274 (70) |
| 001 | | 532005900 | 1 FLAME GRILL 346X274 (70) * RAF |
| 001 | | 544288900 | UPPER PLATE PC-8G |
| 001 | | 544263500 | RIGHT SIDE S.65 |
| 001 | | 544300800 | ENAMELLED BURNER DRIP PAN 1/1 |
| 001 | | 544498800 | |
| 001 | | 544302001 | CONTROL PANEL CF4-8GEMS (STAT.OVEN) |
| 001 | | 544293700 | CONTROL PANEL CF4-8GEM |
| 001 | | 539018900 | INDEX FOR KNOB |
| 001 | | 544263600 | LEFT SIDE S.65 |
| 001 | | 536017100 | BLACK KNOB §70 PIN §8*6,5 |
| 001 | | 539022500 | ADHESIVE GRADUATED DISC FOR KNOB |
| 001 | | 537007600 | TERMINAL BLOCK SINGLEPHASE 40A |
| 001 | | 537015600 | BIPOLAR SWITCH |
| 002 | | 537001600 | THERMOSTAT 50-320°C SINGLEPHASE |
| 002 | | 537014100 | WHITE WARNING LIGHT 250V |
| 002 | | 537005700 | OVEN COMMUTATOR CF-8/10 EL. |
| 002 | | 539023900 | SIGN PLATE FOR OVEN TEMPERATURE |
| 002 | | 537005400 | OVEN BULB 15W 300°C |
| 002 | | 536013800 | KNOB D.70 BLACK 6*5 WITH SPRING |
| 002 | | 539023100 | ADHESIVE GRADUATED DISC FOR MAXI OV |
| 002 | | 537014200 | GREEN WARNING LIGHT 250V |
| 002 | | 533037600 | LOCK SPRING FOR BULB |
| 002 | | 537006200 | UPPER OVEN HEATING EL.1000+2000W |
| 002 | | 537007900 | OVEN BULB-SOCKET |
| 002 | | 536011300 | OVEN GASKET CF-8/10 |
| 002 | | 531012401 | OVEN DOOR WHEEL HOLDER F.CF-8/10 |
| 002 | | 531006700 | OVEN GRID FOR CF-8/10 |
| 002 | | 534002200 | OVEN DRIPPING-PAN CF-8/10 |
| 002 | | 531013600 | SIDE GRID FOR MAXI/VENTILATED OVEN |
| 002 | | 537006300 | LOWER OVEN HEATING EL.W1750 230CF8/ |
| 002 | | 534009100 | GRILL PROTECTION CF-8/10 |
| 002 | | 534009101 | |
| 003 | | 531009601 | COMPLETE GLASS OVEN DOOR |
| 003 | | 544015900 | INNER GLASSDOOR OF MAXI OVEN |
| 003 | | 544015901 | INNER-DOOR FOR MAXI OVEN *GLASS* |
| 003 | | 536007100 | INTERNAL GLASS OVEN DOOR CF-8/10 |
| 003 | | 536007101 | |
| 003 | | 536021800 | DOOR HANDLE SPACER FOR MAXI OVEN |
| 003 | | 531007001 | OVEN GLASS DOOR HANDLE CF-8/10 |
| 003 | | 536007001 | EXTERNAL GLASS OVEN DOOR CF8/10 |
| 003 | | 531007301 | DOOR HINGE FOR MAXI OVEN CF-8/10 |
| 003 | | 531012701 | STAINLESS STEEL OVEN DOOR 60/65LINE |
| 003 | | 544015700 | INNER DOOR OF MAXI OVEN |
| 003 | | 544015701 | INNER-DOOR FOR MAXI OVEN |
| 003 | | 544074701 | S/S MAXI OVEN DOOR PANEL |
| 003 | | 544074702 | |
| 004 | | 544301600 | RIGHT SIDE FOR 65 RANGE |
| 004 | | 544301500 | LEFT SIDE FOR 65 RANGE |
| 004 | | 536005300 | PLASTIC LED 2" |

| Page | Pos | Code | Description |
|------|-----|-----------|-------------------------------------|
| 005 | | 532006700 | BURNER BODY 5,5 KW WITH PLUG |
| 005 | | 532006600 | BURNER BODY 3,5 KW WITH PLUG |
| 005 | | 537010300 | PLUG IGNITION WITH SPRING PC65 |
| 005 | | 533011100 | THERMOCOUPLE 600 M8*1 |
| 005 | | 533009800 | BRASS NUT M8*1 |
| 005 | | 547002500 | HIGH-VOLT.WIRE 2,8X0,5 F2,8X0,8L600 |
| 005 | | 533053000 | AIR ADJUSTMENT BUSHING §18 |
| 005 | | 532001300 | BURNER VENTURI 3,5 KW |
| 005 | | 532001400 | BURNER VENTURI 5,5 KW |
| 005 | | 533053100 | AIR ADJUSTMENT BUSHING §20 |
| 005 | | 533076100 | HEXAGONAL NUT M14X1 H4 + BUSHING |
| 005 | | 533052301 | JOINT FOR NOZZLE HOLDER |
| 005 | | 533010800 | TUBE NUT D.10 M16*1,5 |
| 005 | | 533039300 | BICONE §10 |
| 005 | | 531025900 | SAFETY TAP 20S-B PEL20S21070 |
| 005 | | 533069000 | BY PASS COCK §70 20S-21S |
| 005 | | 533069100 | BY PASS COCK §60 20S |
| 005 | | 531025800 | SAFETY TAP 20S-B PEL20S2160 |
| 005 | | 532006500 | QUICKBURNER 2 RING Ø102 3 Z |
| 005 | | 532001800 | QUICKBURNER §102 |
| 005 | | 532006400 | QUICKBURNER 2 RING Ø082 3 Z |
| 005 | | 532001700 | QUICKBURNER §82 |
| 005 | | 533015400 | NOZZLE §93 CH12*14 G-PC4 R |
| 005 | | 533043400 | NOZZLE §117 CH12*14 G-PC4 UR |
| 005 | | 533015300 | NOZZLE §82 CH12*14 F-PC4 R |
| 005 | | 533043300 | NOZZLE §103 CH12*14 F-PC4 UR |
| 005 | | 533015200 | NOZZLE §145 CH12*14 F-FP/CP6 |
| 005 | | 533019400 | NOZZLE §180 CH12*14 L-FQ5 |
| 005 | | 533030300 | NOZZLE §160 CH12*14 M-FPG |
| 005 | | 533043600 | NOZZLE §200 CH12*14 L-PC4 UR |
| 005 | | 533014900 | NOZZLE §150 CH12*14 F-FQ5 L-FQ6 |
| 005 | | 533043500 | NOZZLE §190 CH12*14 G25 PC4R |