



## Thermische Geräte Serie 900 Gas-Herd

Artikel-Nr. 141001 (N9PCVP/G4001)

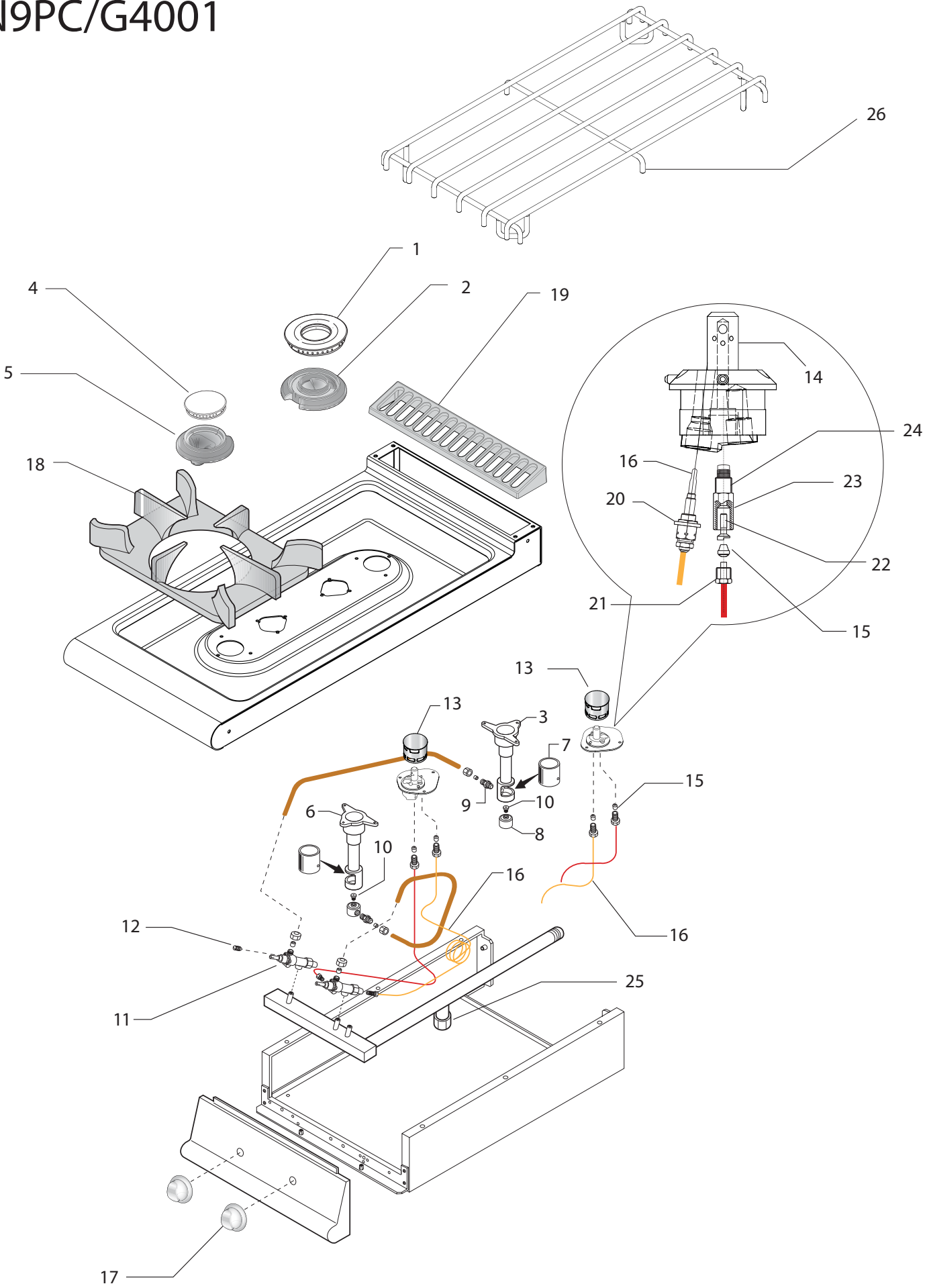
---

### Explosionszeichnung / Ersatzteile

---

Bitte bei Ersatzteilbestellung immer Artikelnummer und Seriennummer mit angeben!

# N9PC/G4001



**Series 900**  
Gas Range N9PC /G4001

**Table\_A**

POS.	CODE	PIECES	DESCRIPTION	DATA	C
1	BN822410091	1	LARGE BURNER HEAD 7kW		
1	BN822410640	1	LARGE BURNER HEAD 10kW		
2	BN822410670	1	LARGE VENTURI DUCT		
3	BN822410032	1	LARGE BURNER BODY		
4	BN822410071	1	SMALL BURNER HEAD		
5	BN822410650	1	SMALL BURNER BODY		
6	BN822410012	1	SMALL VENTURI DUCT		
7	BN822120020	2	VENTURI AREATOR		
8	BN822160022	2	NOZZLE HOLDER		
9	BN822160031	2	NIPPLE FOR NUZZLE HOLDER		
10	TABLE_B	5	NOZZLE		
11	CR0580450	2	GAL TAP PEL 21S		C
12	TABLE_B	1	BY-PASS		
13	BN826350260	2	EXTENTION FOR PILOT		C
14	BN822160580	2	PILOT BURNER		C
15	BN6A016900	2	PILOT NOZZLE N°27		
16	MA1916000	2	QUICK THERMOCOUPLE M9X1 L=850		C
17	CR0932250	2	COCK KNOB (PEL 21S)		C
18	BN822410690	2	BURNER GRID 900		
19	CR0901240	1	EXHAUST GRID		
20	MA1891700	2	THERMOCOUPLE NIPPLE		C
21	BN6A017000	2	BICONE FITTING		
22	TABLE_B	2	PILOT NOZZLE		C
23	BN822160590	2	NOZZLE SEAT		
24	BN6A013104	2	PRIMARY AIR REGULATOR		
25	CR0585540	1	GAS RAMP PLUG		
26	BN826330180	1	DOUBLE BURNER GRID		

C >>> Recommended exchange

# Series 900

Cucine a gas

**Table B**

POS.	POW.	COD.	QUANT.	DIAM.	GAS
10	3,5 Kw	BN41822140620	1	ø 90	○
10	3,5 Kw	BN822140270	1	ø 80	●
10	3,5 Kw	BN822140170	1	ø 135	◻
10	3,5 Kw	BN822140180	1	ø 140	▲
10	3,5 Kw	BN41822140420	1	ø 150	▼
10	7 Kw	BN822140030	1	ø 130	○
10	7 Kw	BN822140280	1	ø 115	●
10	7 Kw	BN822140580	1	ø 195	◻
10	7 Kw	BN822140290	1	ø 205	▲
10	7 Kw	BN822140600	1	ø 215	▼
12	3,5 Kw	BN6A023722	1	ø 45 21S	●
12	3,5 Kw	MA1033720000	1	ø 55 21S	○
12	3,5 Kw	BN822450240	1	ø 80 21S	◻
12	3,5 Kw	MA1889000	1	ø 85 21S	▲
12	7 Kw	BN6A023723	1	ø 65 21S	●
12	7 Kw	BN822450240	1	ø 80 21S	○
12	7 Kw	BN822450280	1	ø 120 21S	◻
12	7 Kw	MA1889200	1	ø 130 21S	▲ ◻
12	7 Kw	BN822450300	1	ø 135 21S	▼
22		BN6A013240	2	G27,2	◻ ▲ ▼ + ◻
22		BN6A013230	2	G16,2	◻ ● ○

10	10 Kw	BN41822140180	1	ø 140	●
10	10 Kw	BN822140190	1	ø 155	○
10	10 Kw	BN41822140420	1	ø 150	◻
10	10 Kw	BN822140230	1	ø 235	◻
10	10 Kw	BN822140100	1	ø 245	▲
10	10 Kw	BN822140660	1	ø 260	▼
12	10 Kw	BN822450240	1	ø 80 21S	●
12	10 Kw	BN822450260	1	ø 90 21S	○
12	10 Kw	MA1889000	1	ø 85 21S	◻
12	10 Kw	BN41822450360	1	ø 145 21S	◻
12	10 Kw	BN822450710	1	ø 180 21S	▼
12	10 Kw	BN822450700	1	ø 150 21S	▲
12	10 Kw		1	ø 135 21S	+

ID GAS

● G30/50 ◻ G30÷31/37 ○ G30/28÷37

◻ G20/20 ▲ G25/25 ▼ G25/20 ◻ G25.1/25 + G20/25

G110 8mbar G120 8mbar