



MUSTER 600 SPLIT

LIST OF THE EXPLODED VIEWS



SHELL ASSY

EVAPORATOR

PUMP

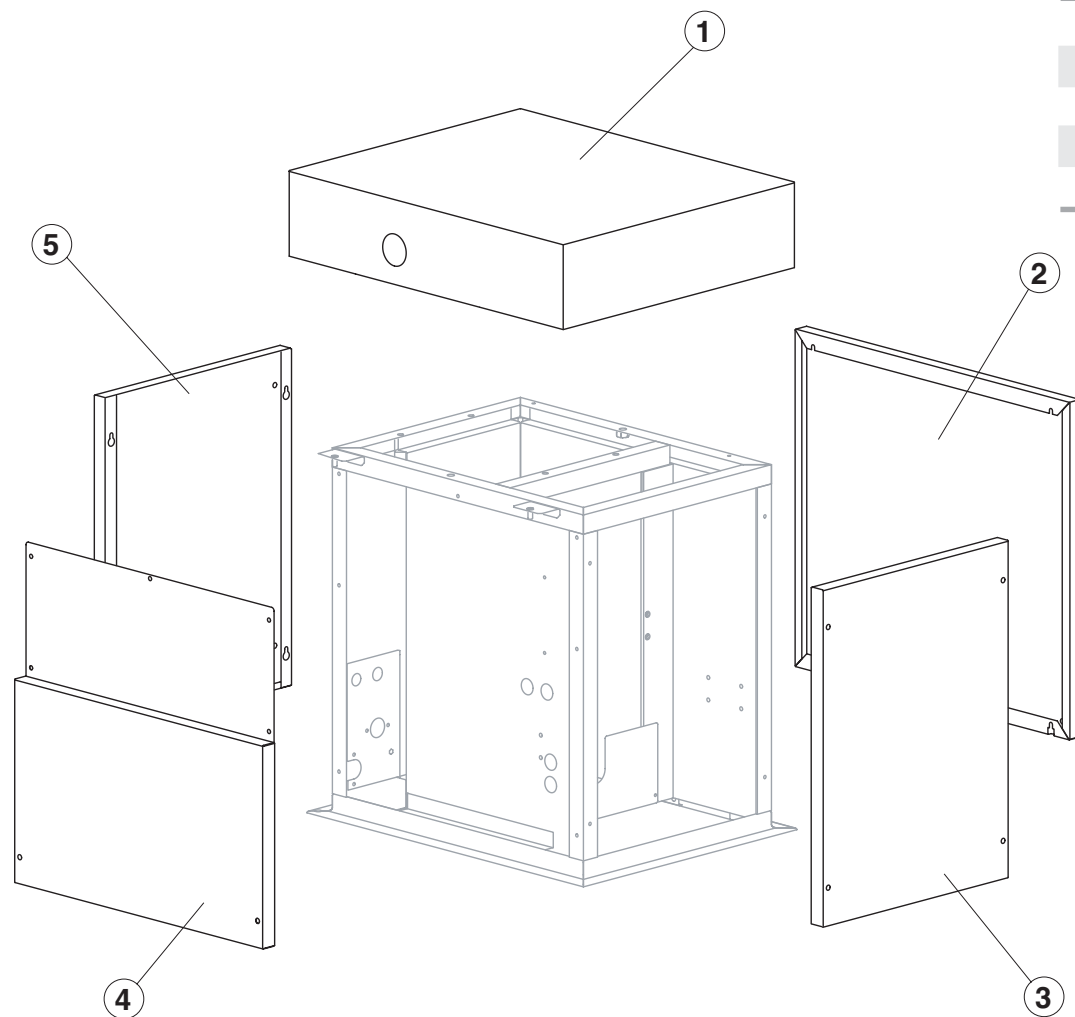
ELECTRIC PARTS

Rev. 1 - 02/04/2009



MUSTER 600 SPLIT

SHELL ASSY

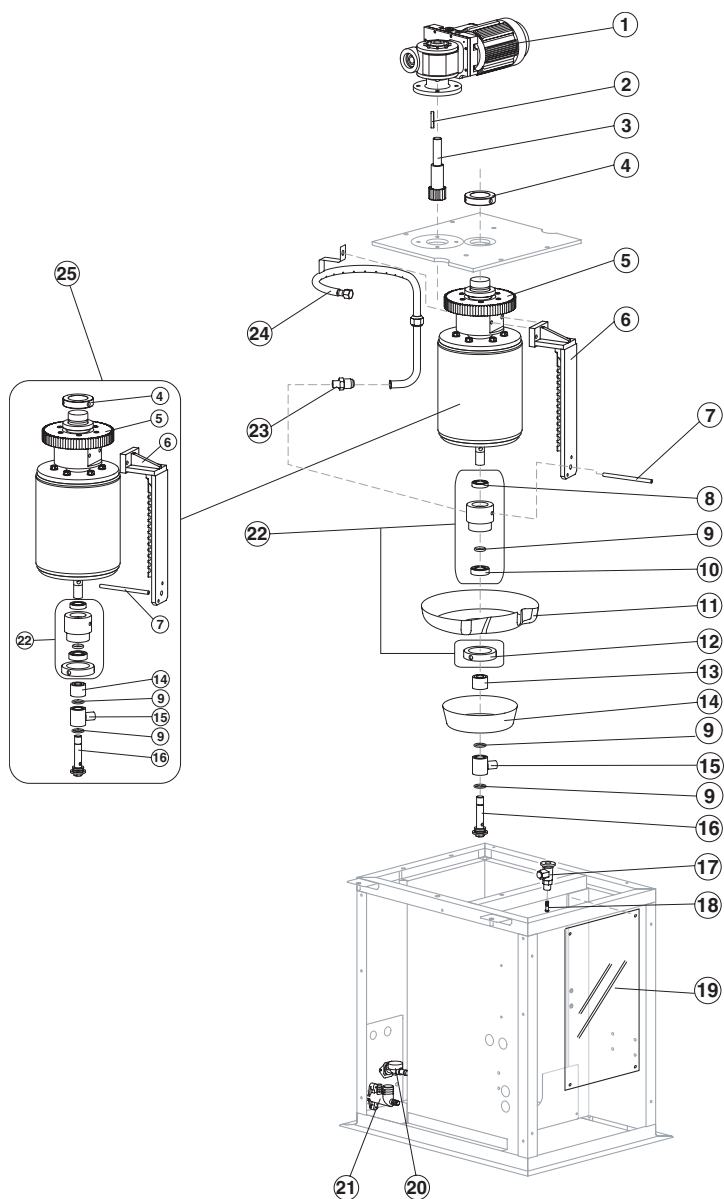


Ref.	Spare Description	Code
1	Top Assembly	C22990
2	Right Side Panel	22425
3	Front Panel	C22469B
4	Left Side Panel	22989
5	Rear Panel	22991



MUSTER 600 SPLIT

EVAPORATOR



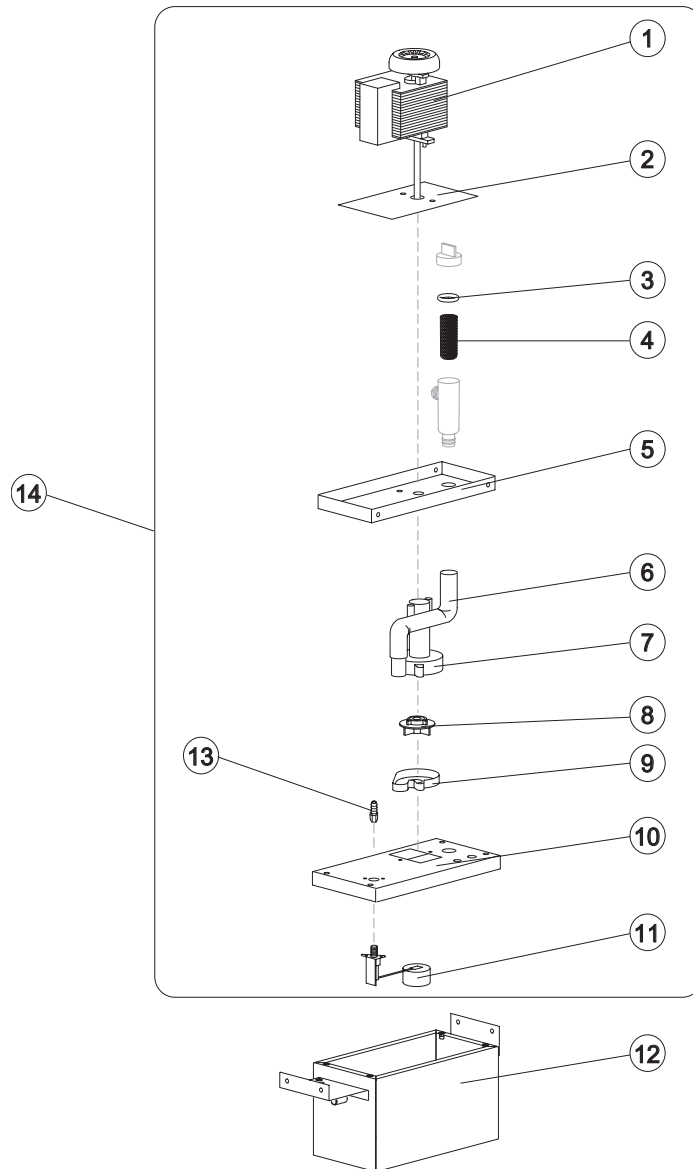
Ref.	Spare Description	Code
1	Gearmotor Assy	C23862
2	Key 6x6x40	20350
3	Pinion with Shaft for Gearmotor	C20344
4	Cylinder Locking Ring Nut	20324
5	Ring Gear	20354
6	Scraper	20866
7	Tie Rod (to Block Scraper)	20865
8	Stainless Steel Bearing	20531
9	Silicone OR 4081 Gasket	20338
10	Stainless Steel Bearing	20045
11	Rotating Basin	10184
12	Ring Nut for Rotating Ring	10182
13	Spacer	10519
14	Fixed Basin	C10185
15	Water Inlet Ring	20851
16	Screw	20849
17	Expansion Valve	20734
18	Orifice	20797
19	Evaporator Chamber Shield	10522
20	1 Way- Water Inlet Nipple	10368
21	Discharges Manifold	C10384
22	Complete Rotating Ring	C10180
23	Joint	20335
24	Sprayer Ring	C20867
25	Evaporator	C20859

Rev. 1 - 02/04/2009



MUSTER 600 SPLIT

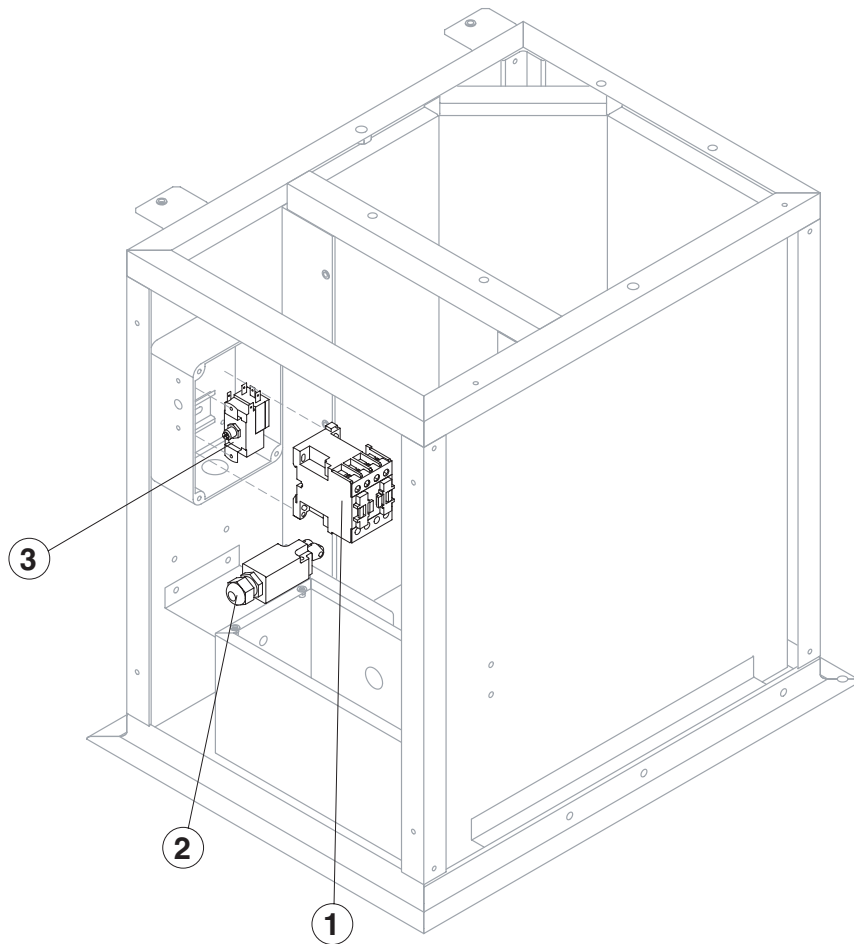
PUMP



Ref.	Spare Description	Code
1	Pump Motor	23073
2	Heat Dissipator	22430
3	Pump Filter Gasket	13080
4	Filtering Element	20254
5	Pump Motor Support	10161
6	Pump-Filter Connection Pipe	13084
7	Pump Body	10065
8	Pump Impeller	10190
9	Diffusor	10067
10	Water Pump Basin Cover	22420
11	Floating Valve	10188
12	Water Pump Basin	C22419
13	Connection	20799
14	Pump and Filter Assy	C26736



<i>Ref.</i>	<i>Spare Description</i>	<i>Code</i>
1	Contacteur	23594
2	Microswitch for Overflow Ice	23746
3	Bin Thermostat	R23005



Rev. 1 - 02/04/2009