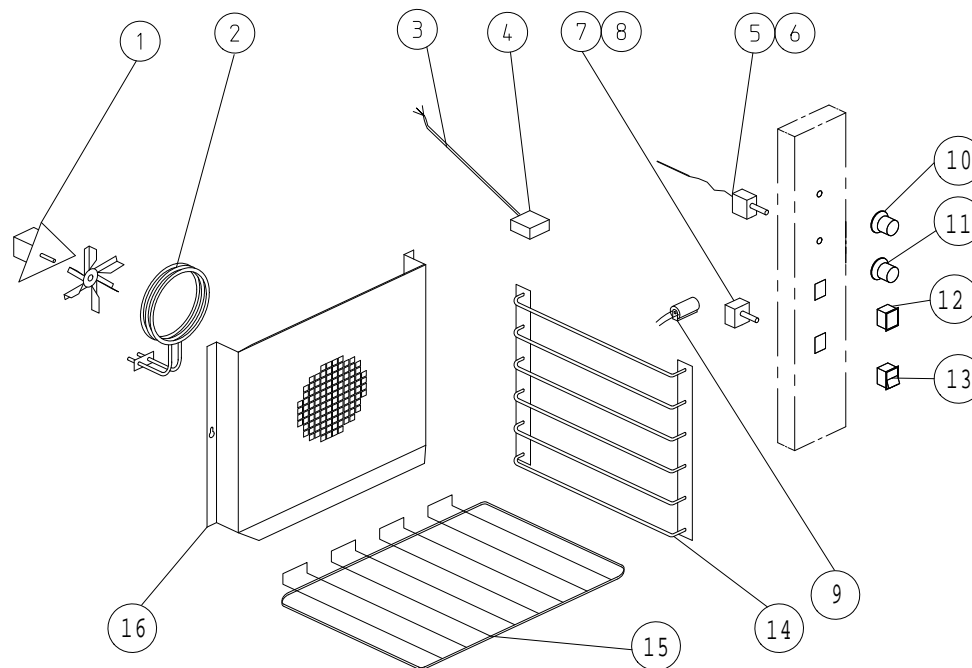
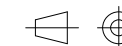


IF IN DOUBT ASK!!

DO NOT SCALE !!

First Angle Projection



Item	Spares No.	Description
1	732910130	Oven Fan
2	732910140	Oven Element
3	731910367	Mains Lead
4	731910390	Terminal Block
5	731910500	Operating Thermostat
6	731910660	Operating Thermostat C/W Knob
7	731910680	Timer
8	731910590	Timer C/W Knob
9	732910417	Buzzer
10	731910650	Thermostat Knob
11	731910600	Timer Knob
12	732910368	Amber Indicator
13	731910620	On/Off Switch
14	732910160	Shelf Hanger
15	732910369	Shelf
16	732910150	Back Baffle

All Dimensions in millimetres, Tolerance- Linear $\pm 0.5\text{mm}$ Angular $\pm 0.5^\circ$ (or as stated)

A	5089	PRODUCTION ISSUE		DJT	04/02/04
Issue	Mod No.	Alteration	Zone	Drawn by	Date



Drawn	DAN THORNTON	Product	E7202RS1, 2 & 3 OVENS	
Date	04/02/04	Title	SPARES DIAGRAM - CONTROLS	
Scale				
Matl.		Drawing Number	AB42292	Issue
No. off		Finish		A
Bin No.		Kraus No.	T100293	

No reproduction or publication of this drawing may be made and no article may be manufactured or assembled in accordance with this drawing without prior written consent. This prohibition is a condition of any contract relating to this drawing. Rights reserved under the Copyright Act 1956 as amended by the Design Copyright Act 1988.

This part is common to the following units

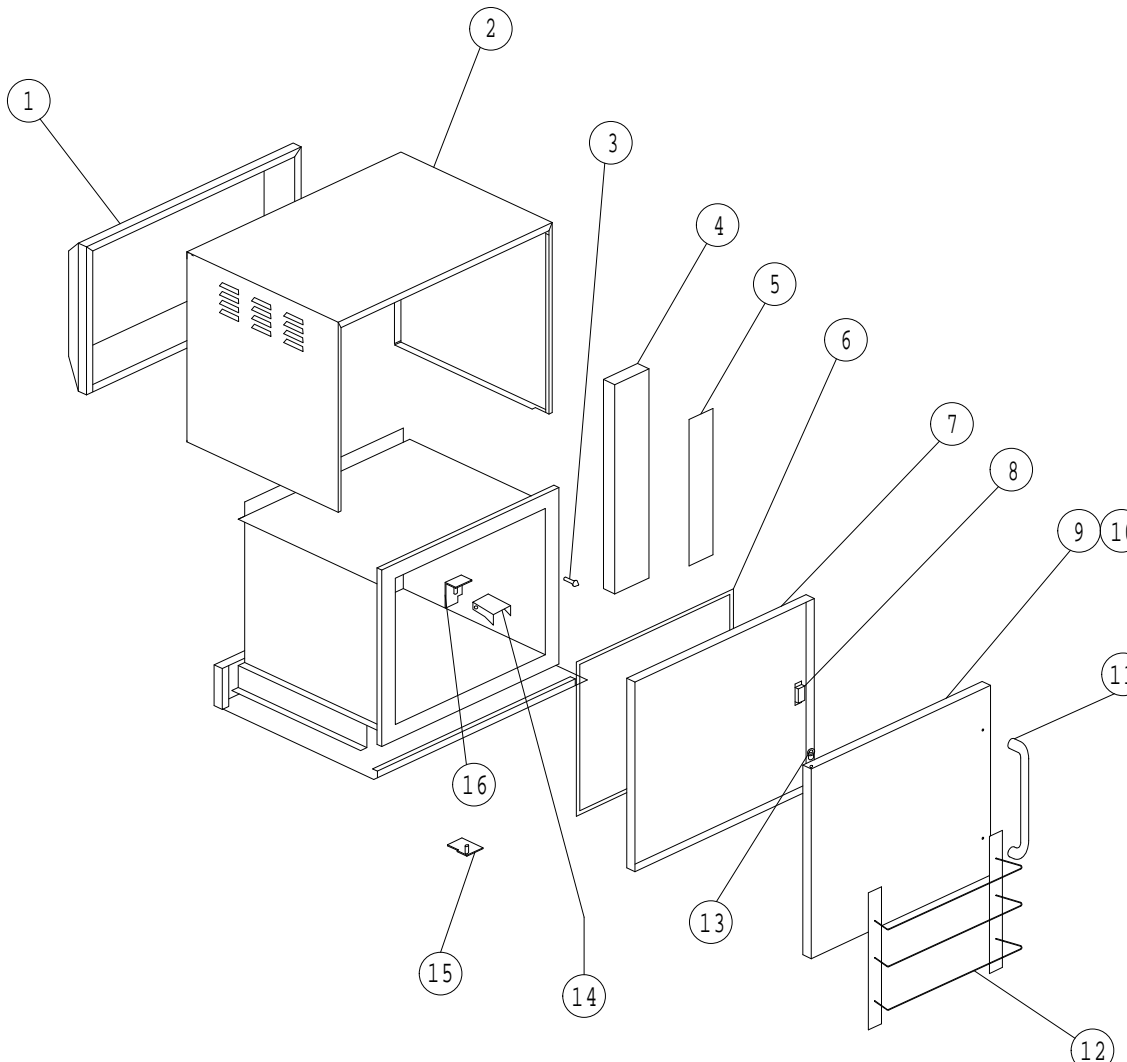
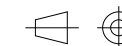
UNCONTROLLED 09/08/05

Falcon Foodservice Equipment. Wallace View Hillfoots Road Stirling Scotland

IF IN DOUBT ASK!!

DO NOT SCALE !!

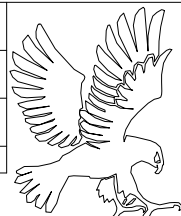
First Angle Projection



Item	Spares No.	Description
1	732910190	Outer Back Panel (Pre March 04)
1A	732910500	Outer Back Panel (Post March 04)
2	732910180	Outer Cover (Pre March 04)
2A	732910501	Outer Cover (Post March 04)
3	731910670	Door Keeper Stud
4	732910362	Control Panel Assy (Pre March 04)
4A	732910508	Control Panel Assy (Post March 04)
5	732910509	Control Panel Decal
6	732910000	Door Seal
7	732910503	Inner Door Panel
8	731910370	Door Catch
9	732910504	Outer Door Panel
10	732910510	Oven Door Assembly
11	732910050	Door Handle
12	732910370	Door Guard
13	732910040	Hinge Bush
14	732910366	Door Retainer Bracket C/W Label
15	732910511	Bottom Door Hinge
16	732910365	Top Door Hinge

All Dimensions in millimetres, Tolerance- Linear ±0.5mm Angular ±0.5° (or as stated)

A	5089	PRODUCTION ISSUE		DJT	03/02/04
Issue	Mod No.	Alteration	Zone	Drawn by	Date



Drawn	DAN THORNTON	Product	E7202RS1 CONVECTION OVEN	
Date	22/10/03	Title	SPARES FITMENTS	
Scale				
Matl.		Drawing Number	AA42290A	Issue
No. off		Finish		A
Bin No.		Kraus No.	T100293	

No reproduction or publication of this drawing may be made and no article may be manufactured or assembled in accordance with this drawing without prior written consent. This prohibition is a condition of any contract relating to this drawing. Rights reserved under the Copyright Act 1956 as amended by the Design Copyright Act 1988.

This part is common to the following units

UNCONTROLLED 09/08/05

Falcon Foodservice Equipment. Wallace View Hillfoots Road Stirling Scotland