
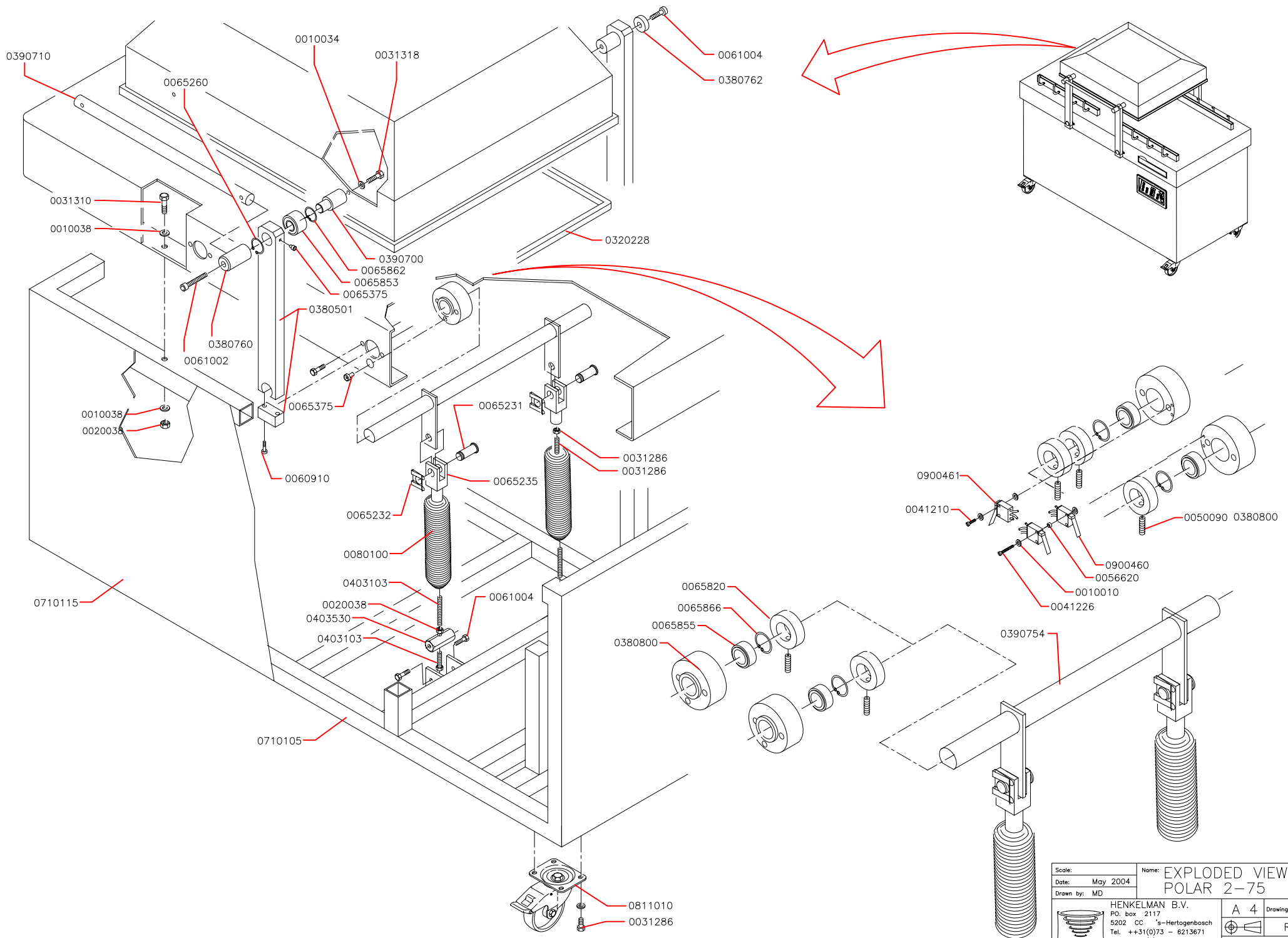
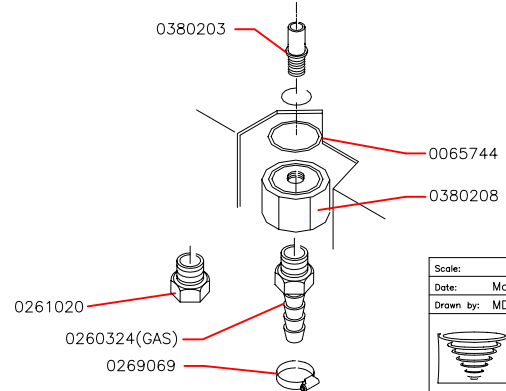
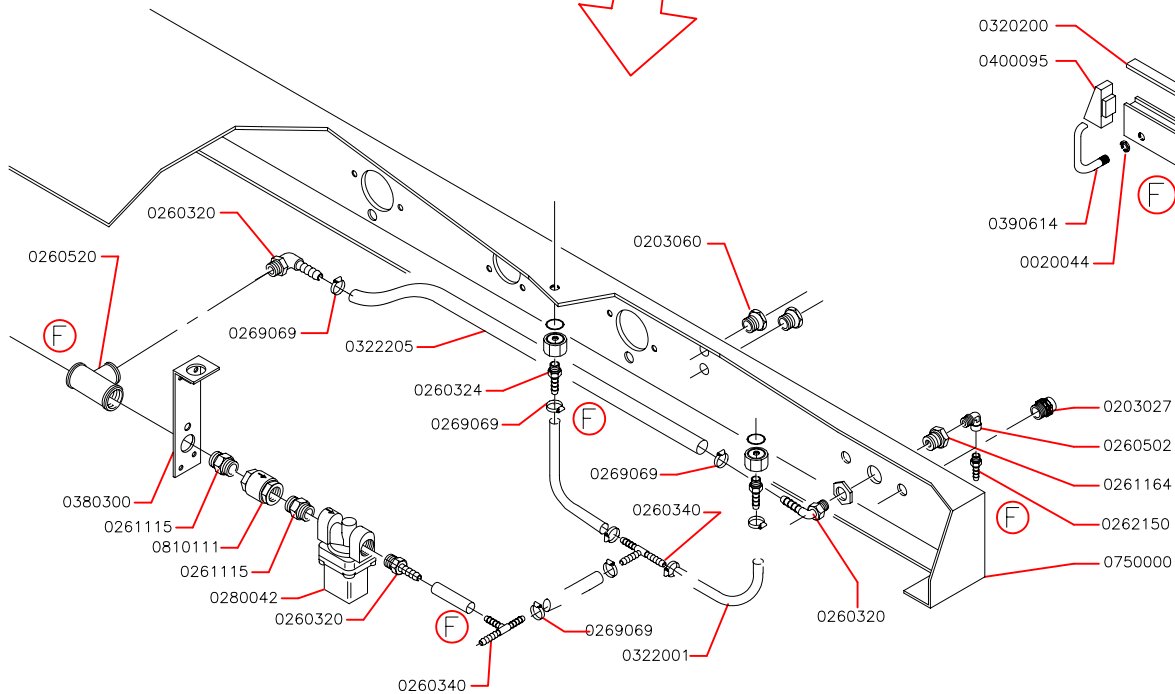
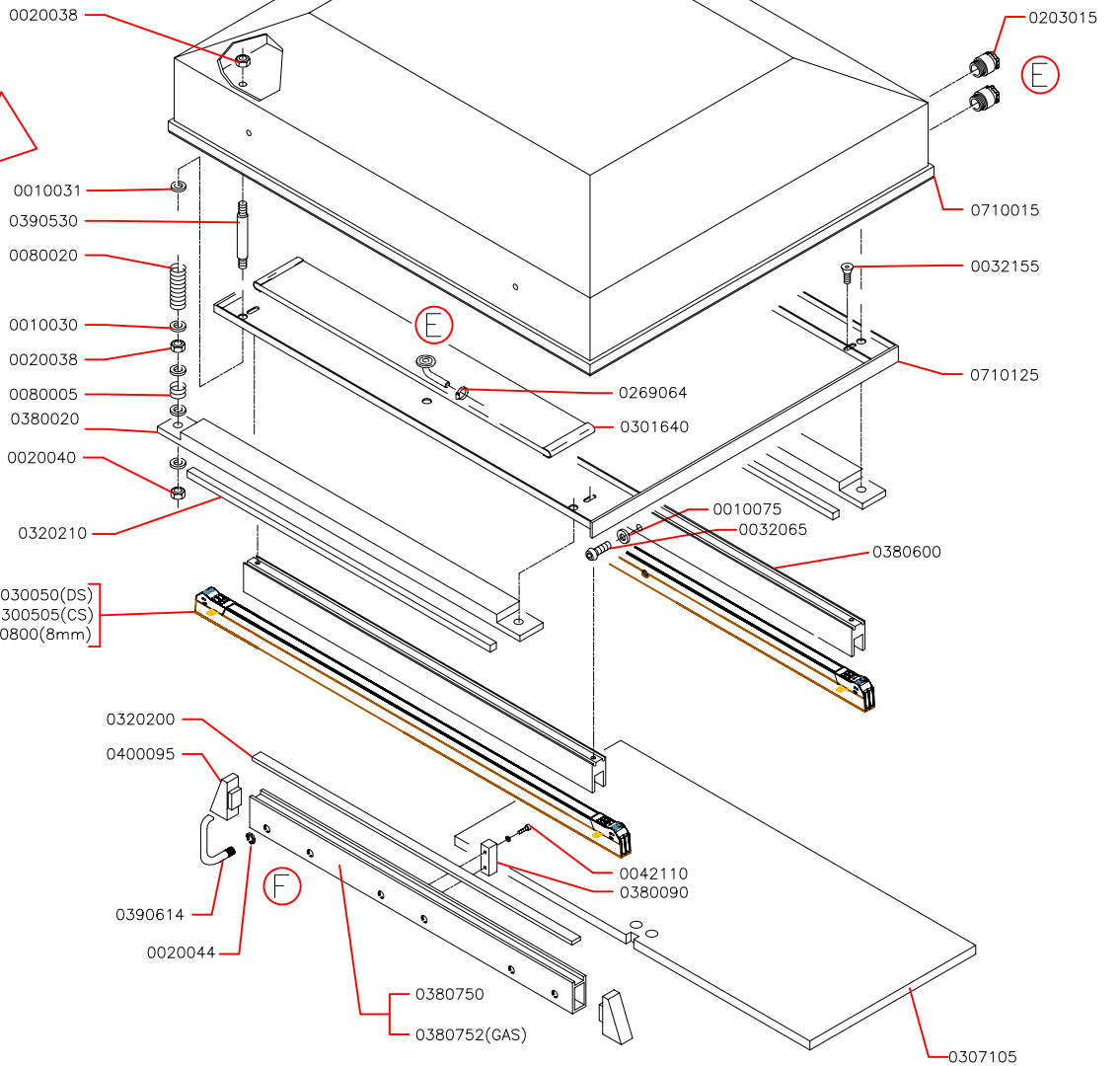
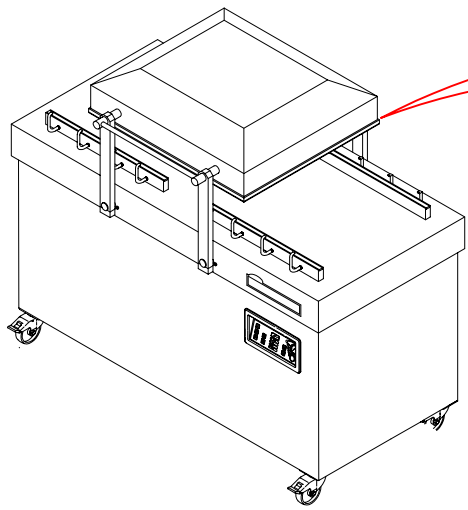


Scale:	Name: Exploded view
Date: May 2004	POLAR 2-75
Drawn by: MD	
 HENKELMAN B.V. P.O. box 2117 5202 CC 's-Hertogenbosch Tel. ++31(0)73 - 6213671 Fax ++31(0)73 - 6221318 The Netherlands	
A 4	Drawing: Page 1-3 Rev, no: 03 <small>Ownership explicitly reserved. Multiplication or information to third parties in any form is not permitted without written permission of the owner.</small>

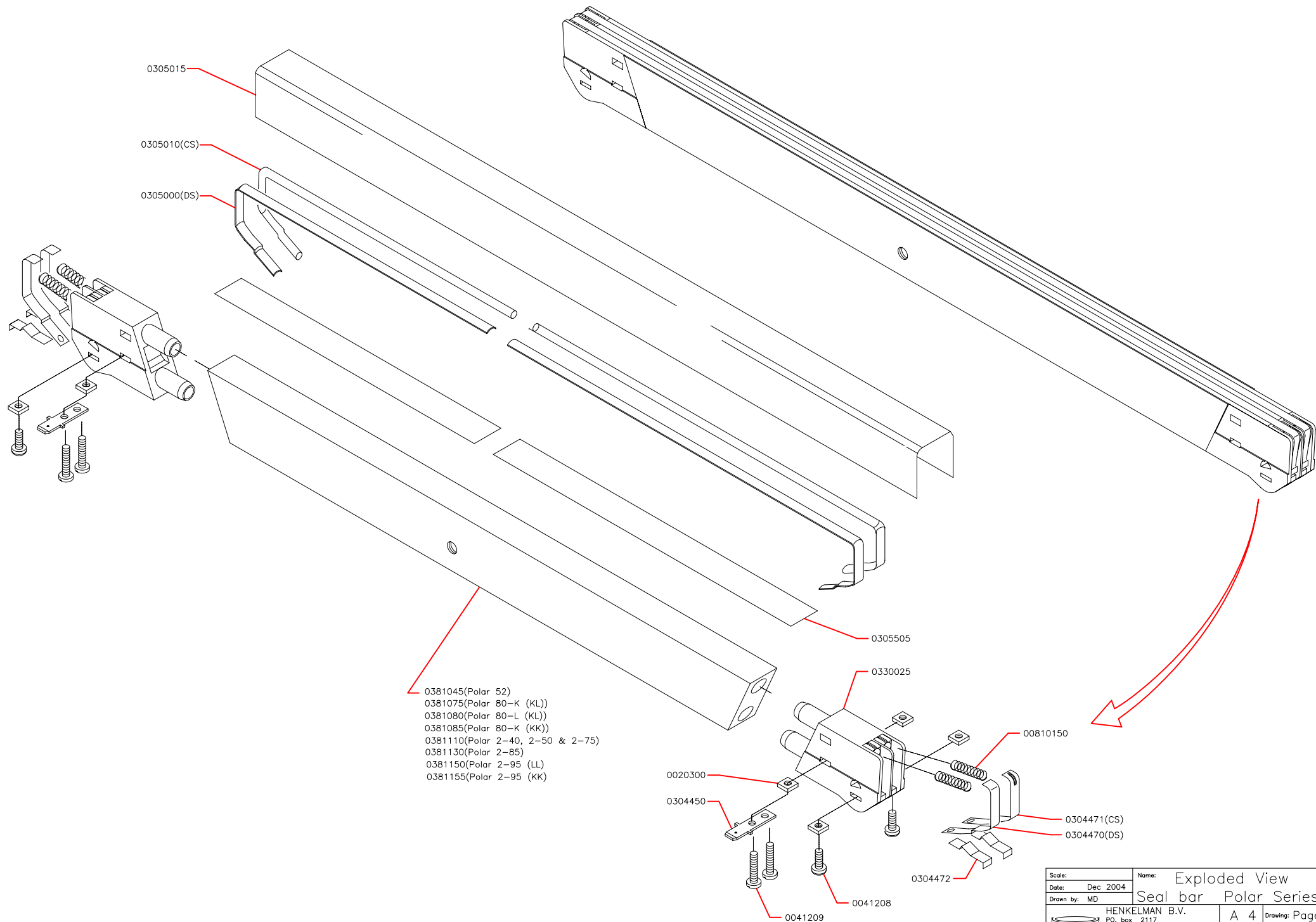


Scale:	Name: EXPLODED VIEW POLAR 2-75
Date: May 2004	
Drawn by: MD	
HENKELMAN B.V. PO. box 2117 5202 CC 's-Hertogenbosch Tel. ++31(0)73 - 6213671 Fax ++31(0)73 - 6221318 The Netherlands	
A 4	Drawing: Page 2-3 Rev. no: 03
<small>Copyright explicitly reserved. Multiplication or information to third parties in any form is not permitted without written permission of the owner.</small>	

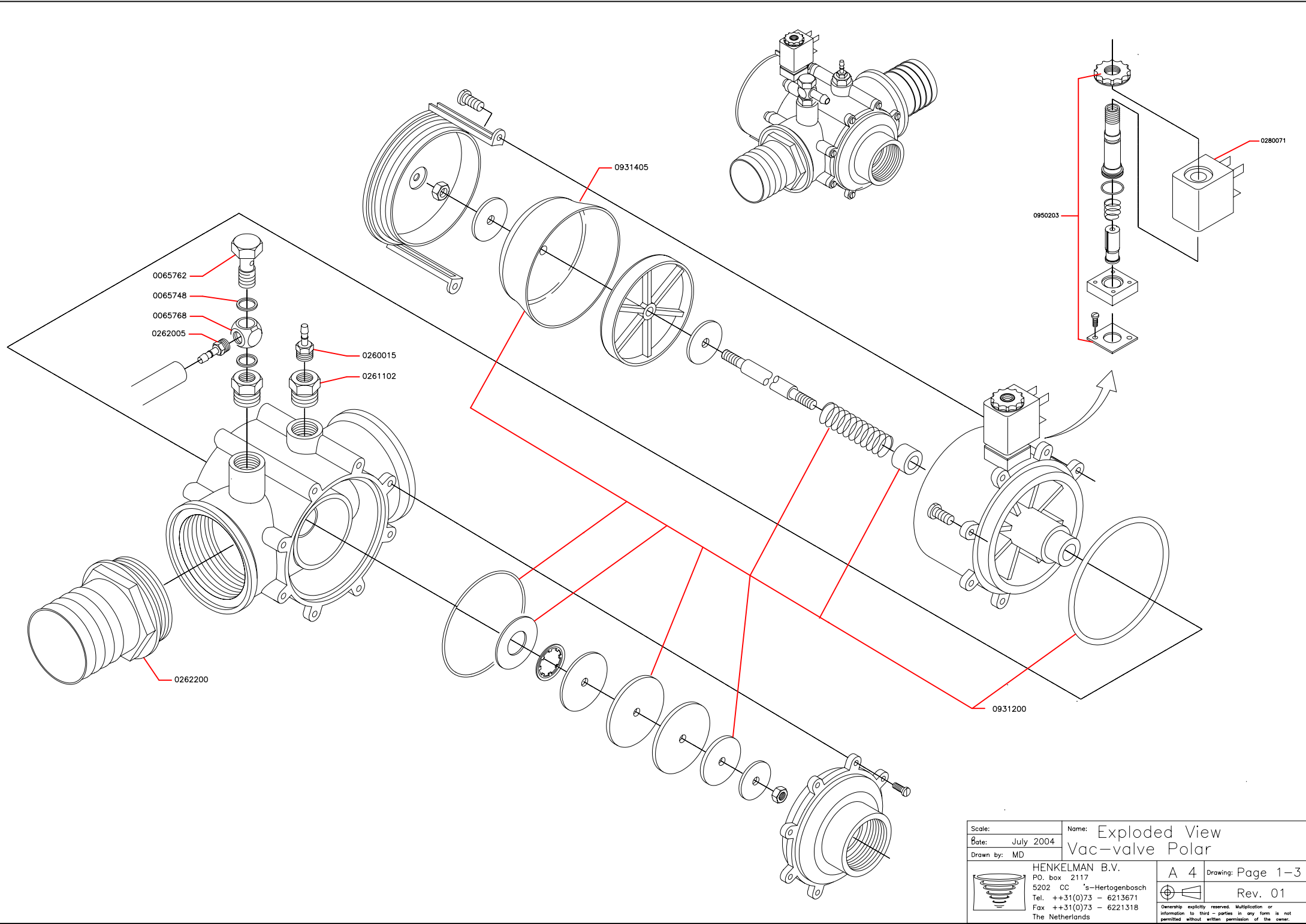


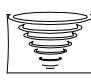
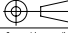
(CS) = CUT-OFF SEAL
(DS) = DOUBLE SEAL
(8mm) = 8mm SEAL

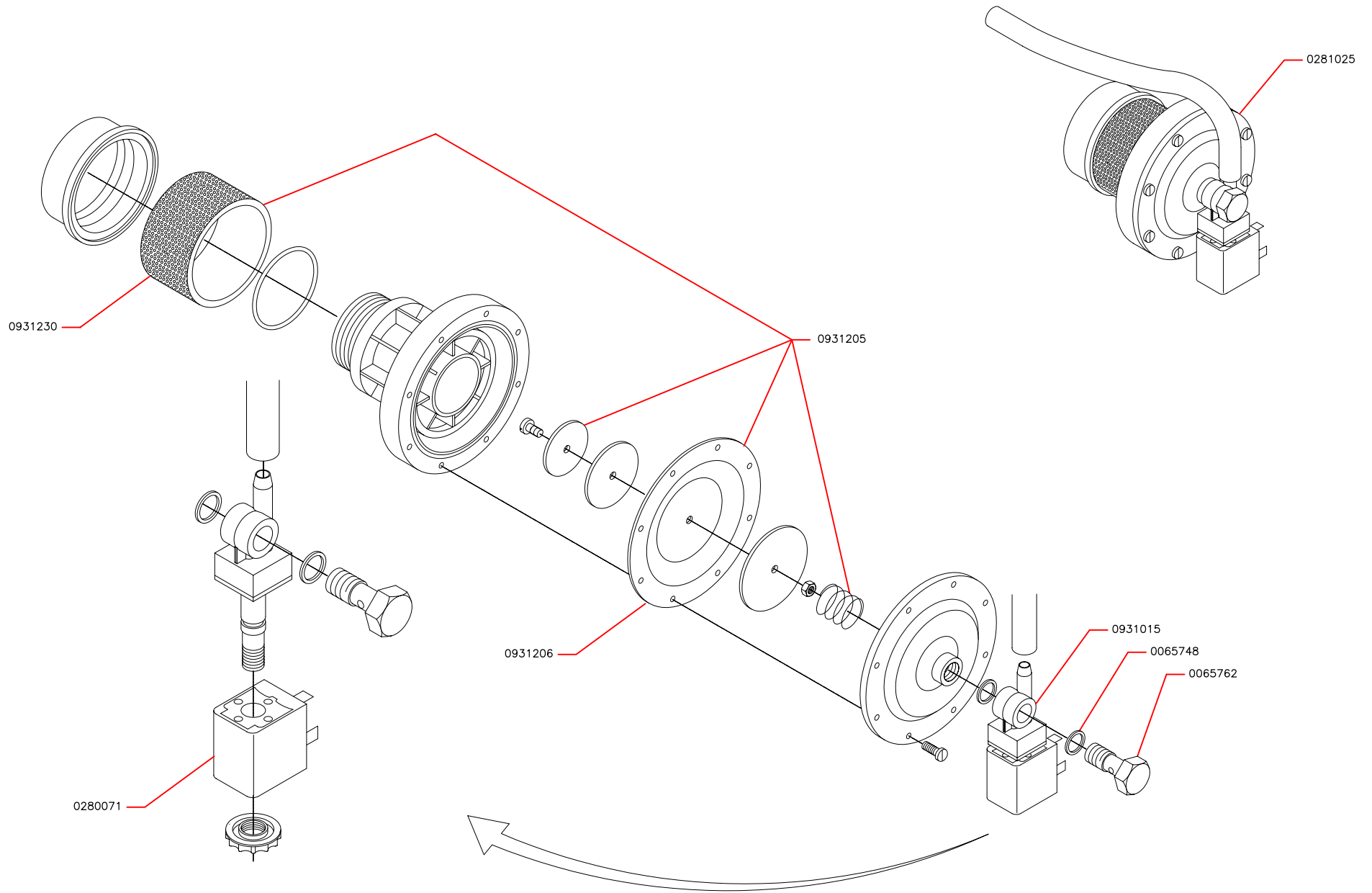
Scale:	Name: EXPLODED VIEW
Date: May 2004	POLAR 2-75
Drawn by: MD	
HENKELMAN B.V. P.O. box 2117 5202 CC 's-Hertogenbosch Tel. ++31(0)73 - 6213671 Fax ++31(0)73 - 6221318 The Netherlands	
A 4	Drawing: Page 3-3
Rev. no: 03	
<small>Ownership explicitly reserved. Modification or alteration to third parties in any form is not permitted without written permission of the owner.</small>	



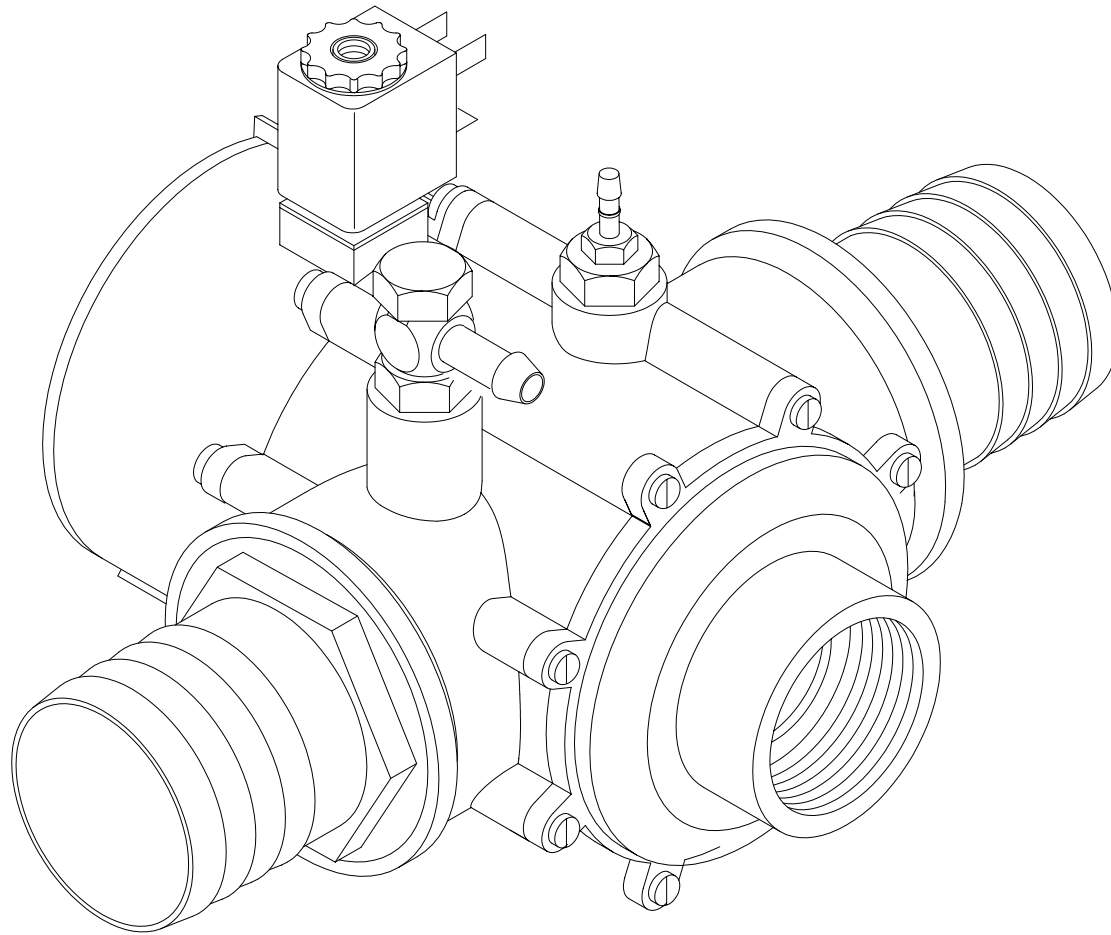
Scale:	Name:	Exploded View	
Date:	Dec 2004	Seal bar Polar Series	
Drawn by:	MD	A 4 Drawing: Page 1-1	
HENKELMAN B.V. P.O. box 2117 5202 CC 's-Hertogenbosch Tel. ++31(0)73 - 6213671 Fax ++31(0)73 - 6221318 The Netherlands		Rev. 01 <small>Ownership explicitly reserved. Multiplication or information to third parties in any form is not permitted without written permission of the owner.</small>	

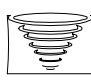
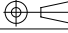


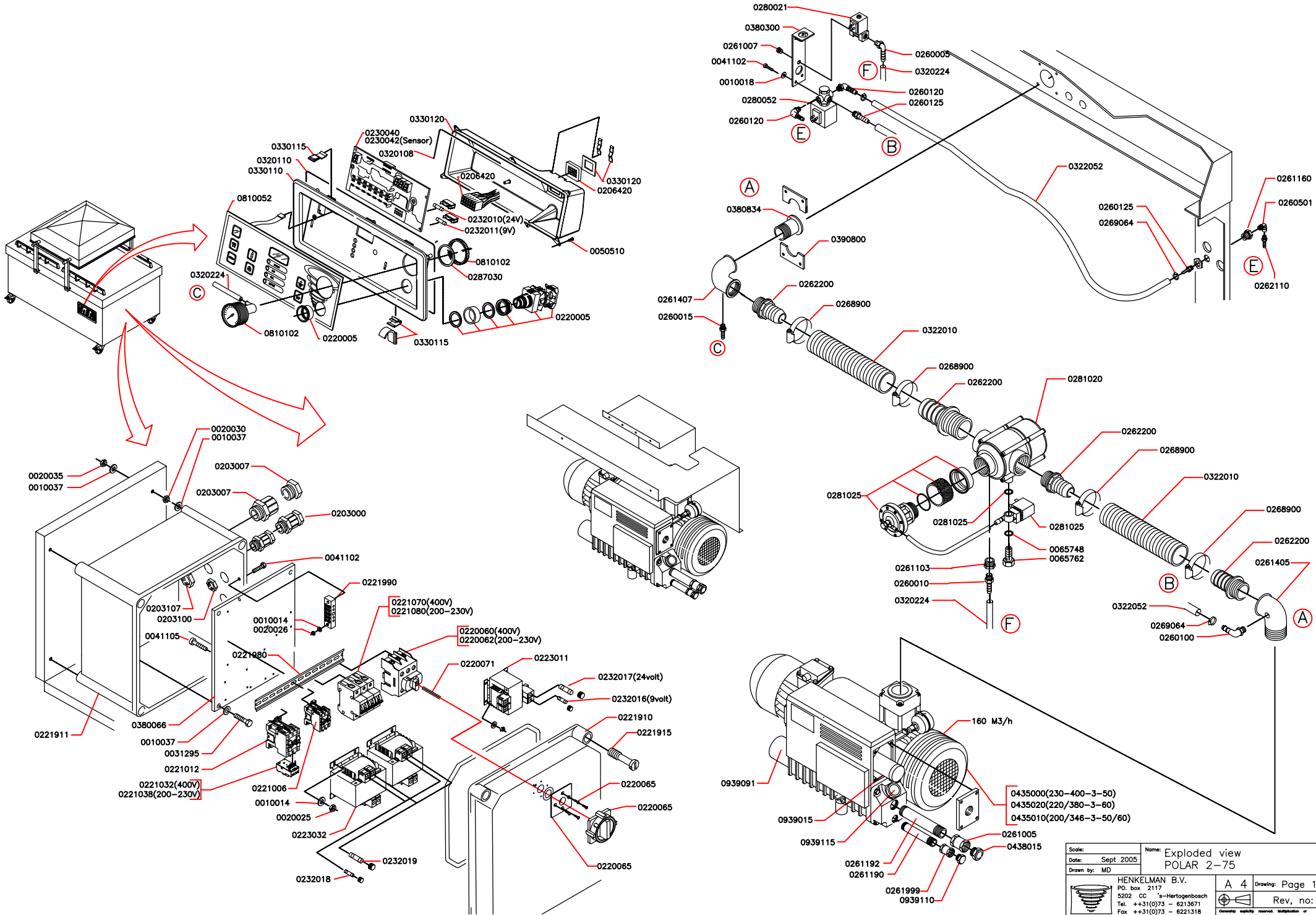
Scale:	Name: Exploded View Vac-valve Polar
Date: July 2004	
Drawn by: MD	
	HENKELMAN B.V.
	PO. box 2117
	5202 CC 's-Hertogenbosch
	Tel. ++31(0)73 - 6213671
	Fax ++31(0)73 - 6221318
	The Netherlands
A 4	Drawing: Page 1-3
	Rev. 01
<small>Ownership explicitly reserved. Multiplication or information to third parties in any form is not permitted without written permission of the owner.</small>	

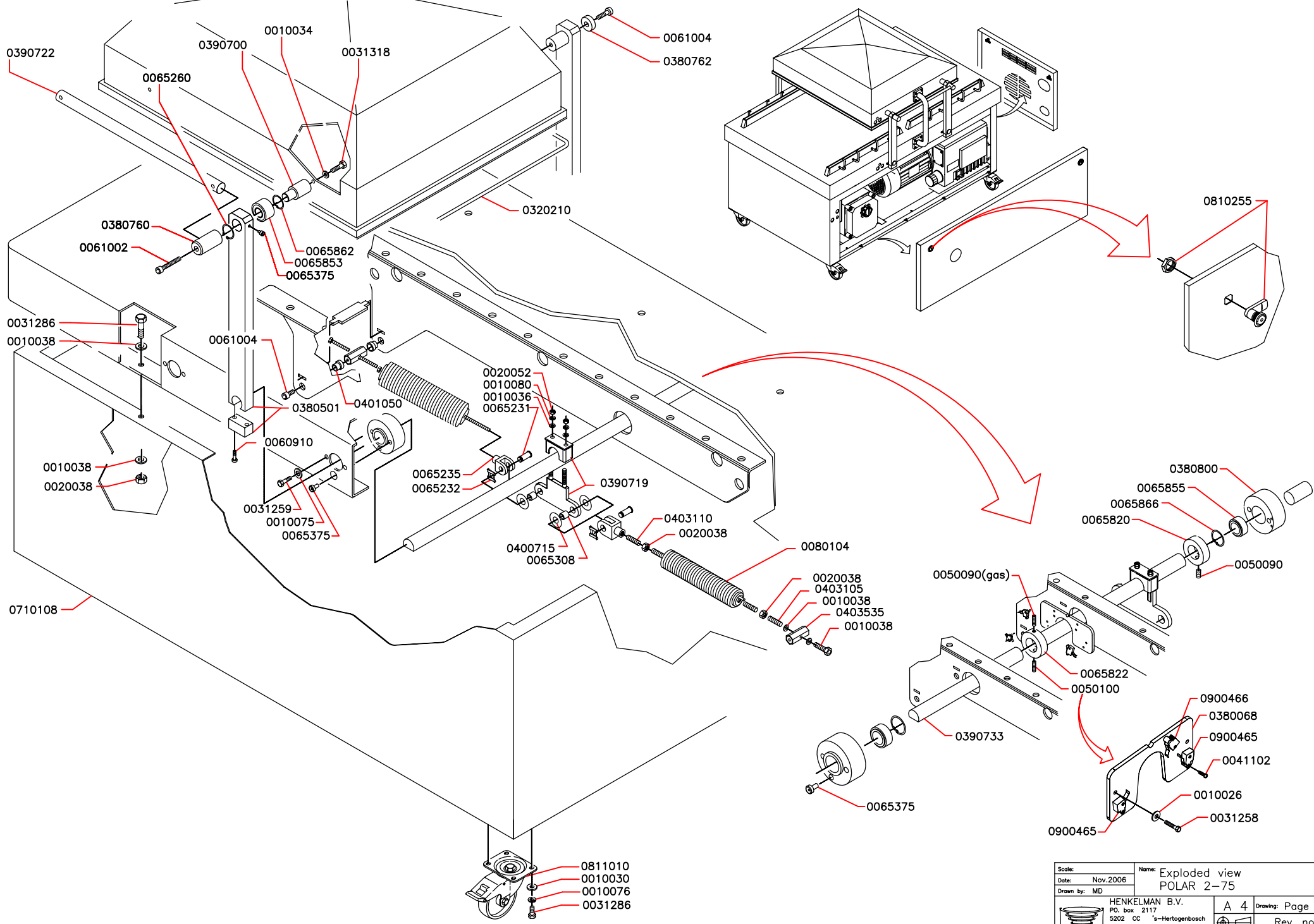


Scale:	Name: Exploded View
Date: July 2004	Decomp Valve Polar
Drawn by: MD	
HENKELMAN B.V. PO. box 2117 5202 CC 's-Hertogenbosch Tel. ++31(0)73 - 6213671 Fax ++31(0)73 - 6221318 The Netherlands	
A 4	Drawing: Page 2-3
	Rev. 01
<small>Ownership explicitly reserved. Multiplication or information to third parties in any form is not permitted without written permission of the owner.</small>	

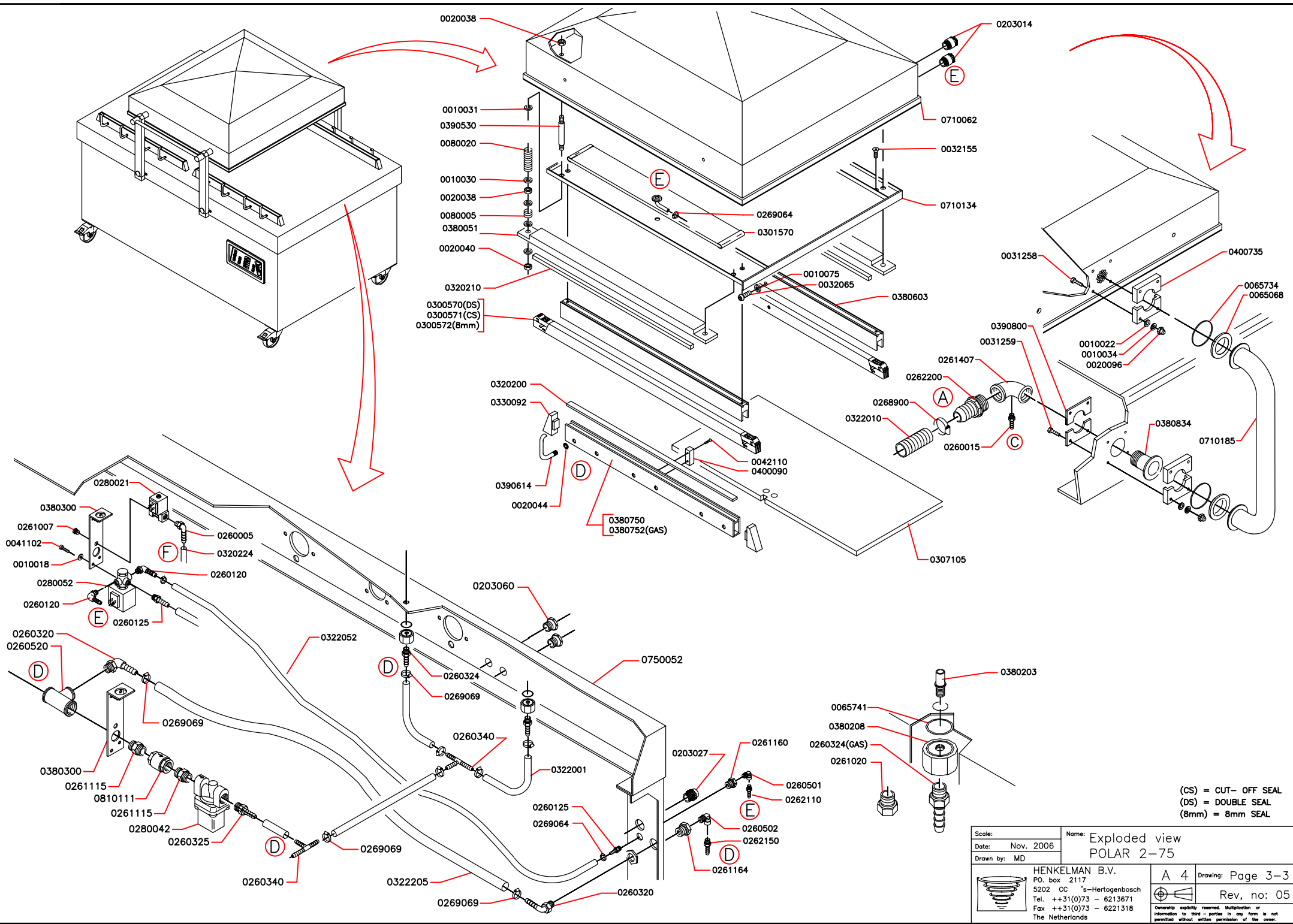


Scale:	Name: Exploded View
Date: July 2004	Vac-valve comp Polar
Drawn by: MD	
 HENKELMAN B.V. PO. box 2117 5202 CC 's-Hertogenbosch Tel. ++31(0)73 - 6213671 Fax ++31(0)73 - 6221318 The Netherlands	A 4 Drawing: Page 3-3  Rev. 01 <small>Ownership explicitly reserved. Multiplication or information to third parties in any form is not permitted without written permission of the owner.</small>





Scale:	Name:	Exploded view	
Date: Nov.2006	POLAR 2-75		
Drawn by: MD			
HENKELMAN B.V.		A 4 Drawing: Page 2-3	
PO. box 2117		Rev. no: 06	
5202 CC 's-Hertogenbosch			
Tel. ++31(0)73 - 6213671			
Fax ++31(0)73 - 6221318			
The Netherlands			



(CS) = CUT-OFF SEAL
 (DS) = DOUBLE SEAL
 (8mm) = 8mm SEAL

Scale:	Name: Exploded view
Date: Nov. 2006	Product: POLAR 2-75
Drawn by: MD	
HENKELMAN B.V. P.O. box 2117 5202 CC 's-Hertogenbosch Tel. ++31(0)73 - 6213671 Fax ++31(0)73 - 6221318 The Netherlands	
A 4	Drawing: Page 3-3
Rev. no: 05	
Ownership explicitly reserved. Multiplication or information to third parties in any form is not permitted without written permission of the owner.	