



Kochgeräte Grillplatten Serie 700

Artikel-Nr. 133201, 133202, 133003, 133224, 133009,
133010, 133011, 133012, 133013, 133014, 133015
(418031-131220PXI, -136421PXI, -131421PXI, - 136220PXI -531220XI,
-536220XI, -532220XI, -531421XI, -536421XI, -534421XI, -532421XI)

Explosionszeichnung

SPARE PARTS CATALOGUE

Introduction:

This catalog enables to recognize our appliances' main spare parts reading the single exploded views.

How to look up in our catalogue :

Hereunder we describe the correct method to look up in our catalogue, in order to locate the desired spare part in a quicker and more precise way.

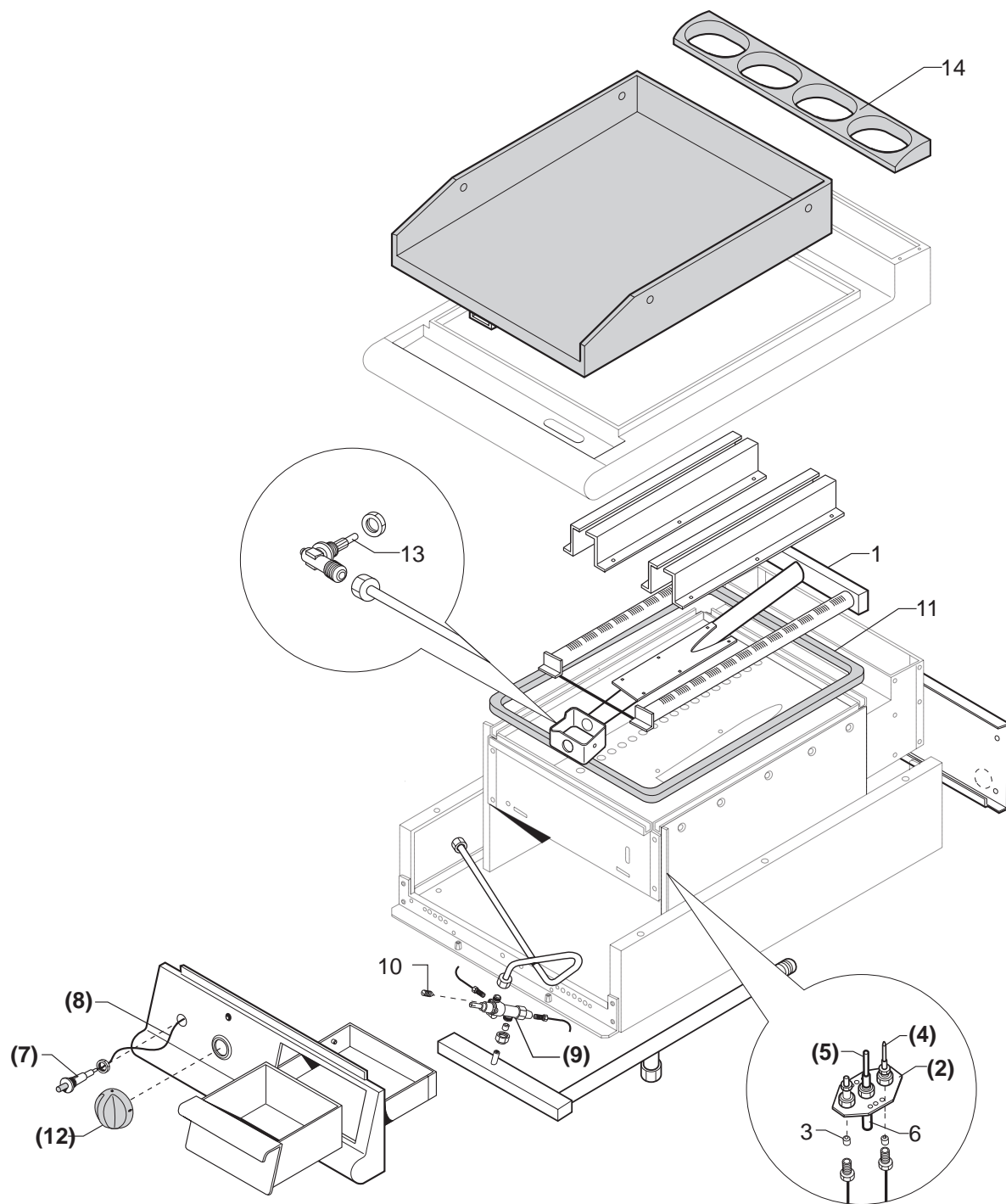
For Example: You need the component's code-number of a gasrange with burners 1/1M.

- 1) Find the appliance's model and serial number on the rating plate.
(The rating plates are positioned in the internal side of the control panel).
- 2) Search for the belonging family in the index (BCPxxx-(0B)) . (f.ex. Gasrange with burners - top 1/1M).
- 3) After you have found the corresponding table you verify if the appliance's serial number is subsequent to that one indicated in the table.
- 4) You locate the desired spare part in the drawing on the left, and find the corresponding position in the table on the right.
- 5) Hence you obtain the codenumber and the description of the spare part you need.

LEGEND:

Position on the EXPLODED VIEW			X => Recommended spare part			
Article's codenr.		Technical description	Quantity x each model		Series	
					1/2M => L=40 cm.	
					1/1M => L=80 cm.	
					1+1/2M => L=120 cm.	
Pos	Codice	Descrizione	700	1/1M		
1	822410081	Medium burner head (Dm.102)		1		
2	822410051	Medium venturi duct (Dm.102)		1		
14	826920140	Pilot burner	x	2		

cine



(.....) RICAMBIO CONSIGLIATO
 (.....) SUGGESTED SPARE-PARTS

FRY-TOP A GAS (Serie 700 - 1/2M)
 GAS FRY-TOP (Serie 700 - 1/2M)

Tav. Rif. BCP0070-(16)

RIF. Da matricola n°
 REF. From serial n°

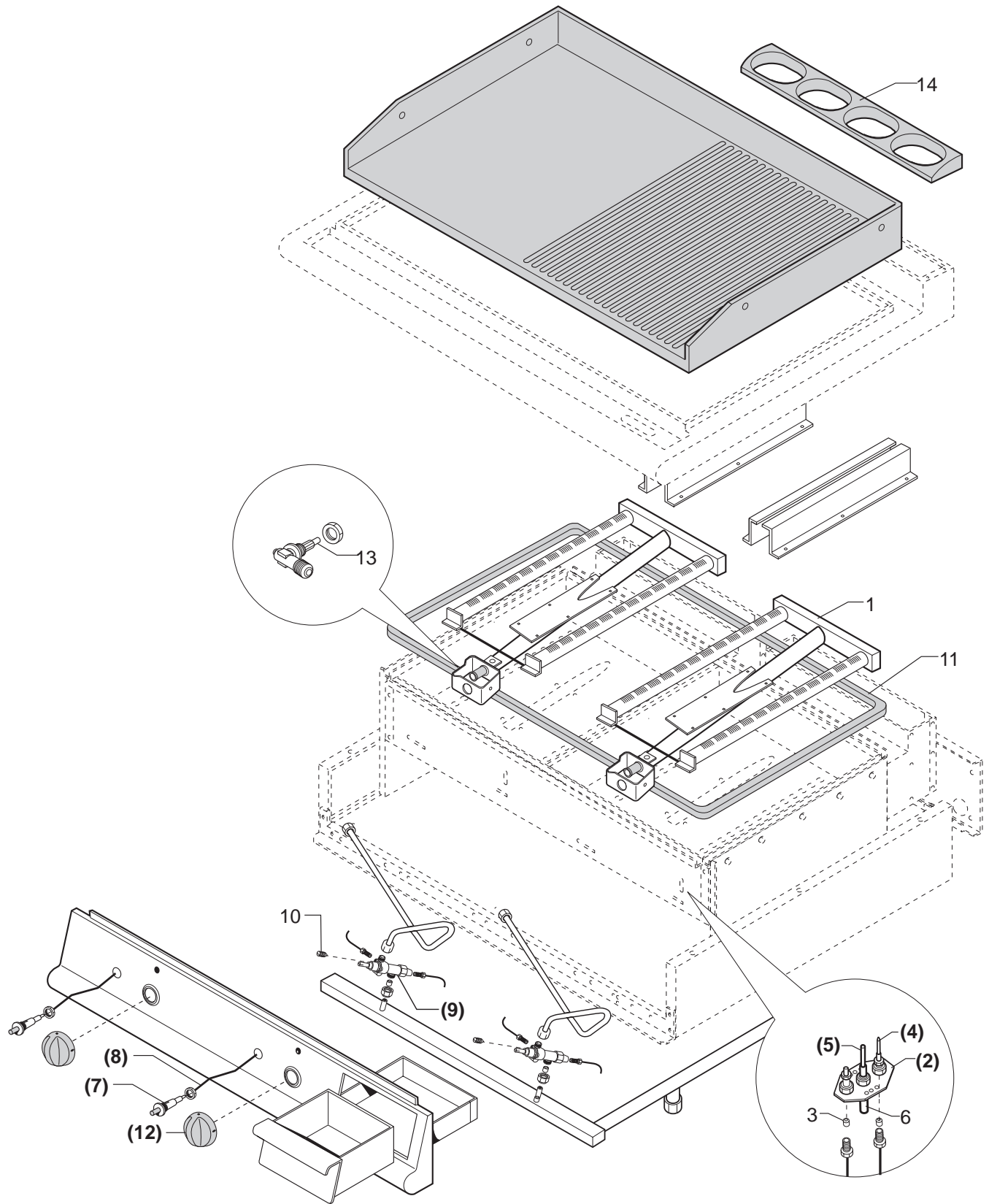
Versione Normale
 Normal version

Rev.01 del 28/10/1999

Baron Cucine Professionali S.r.l.

RIPRODUZIONE, ANCHE PARZIALE, VIETATA

BCP0070-(15)



(.....) RICAMBIO CONSIGLIATO
 (.....) SUGGESTED SPARE-PARTS

FRY-TOP A GAS (Serie 700 - 1/1M)
 GAS FRY-TOP (Serie 700 - 1/1M)

Tav. Rif. BCP0070-(18)

RIF. Da matricola n°
 REF. From serial n°

Versione Normale
 Normal version

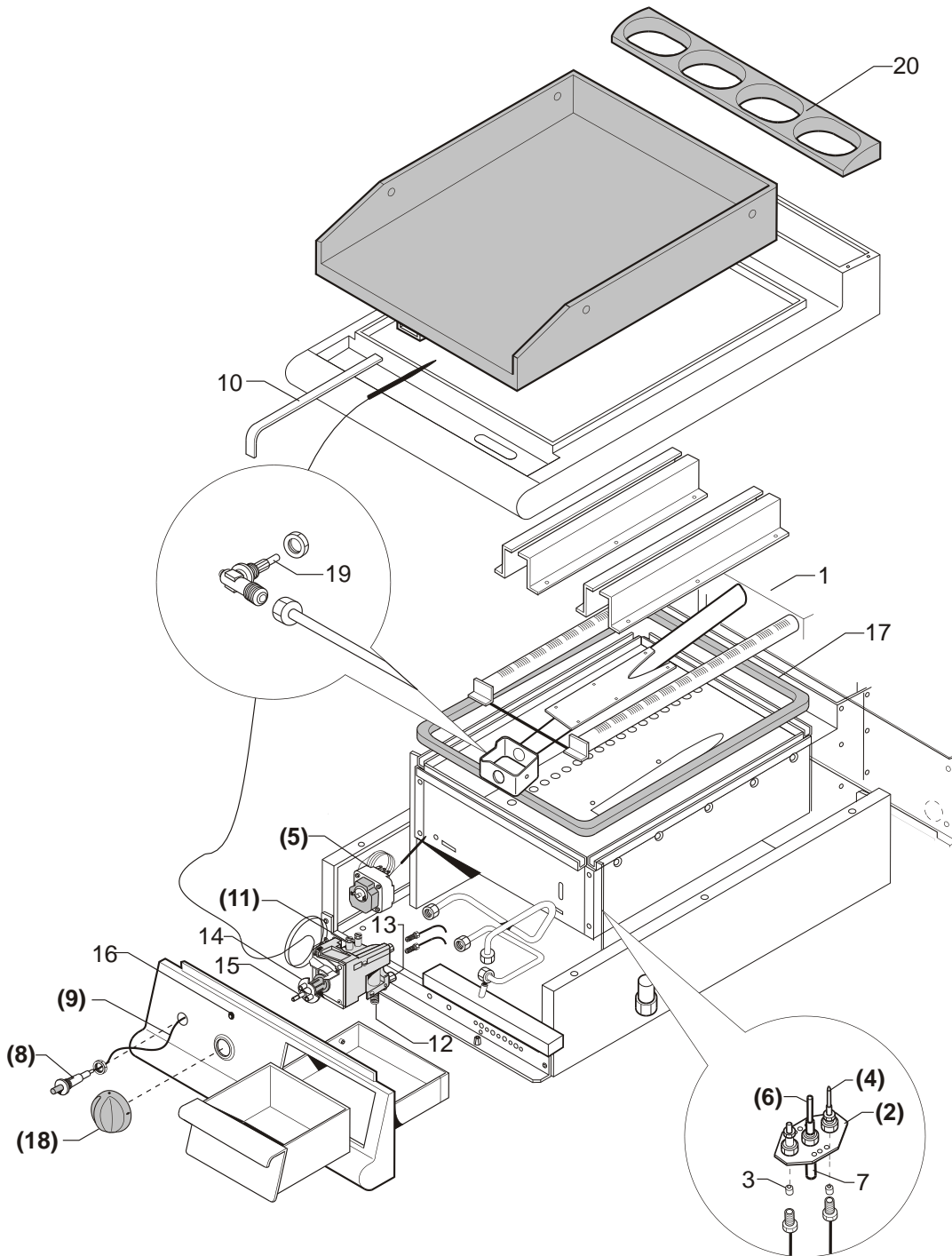
Rev.00 del 16/06/1997

Baron Cucine Professionali S.r.l.

RIPRODUZIONE, ANCHE PARZIALE, VIETATA

BCP0070-(17)

cin



(.....) RICAMBIO CONSIGLIATO
(.....) SUGGESTED SPARE-PARTS

FRY-TOP A GAS (Serie 700 - 1/2M)
GAS FRY-TOP (Serie 700 - 1/2M)

Tav. Rif. BCP0070-(20)

RIF. Da matricola n°
REF. From serial n°

Versione con PIASTRA acciaio e/o CROMO
Version steel and/or chromed plate

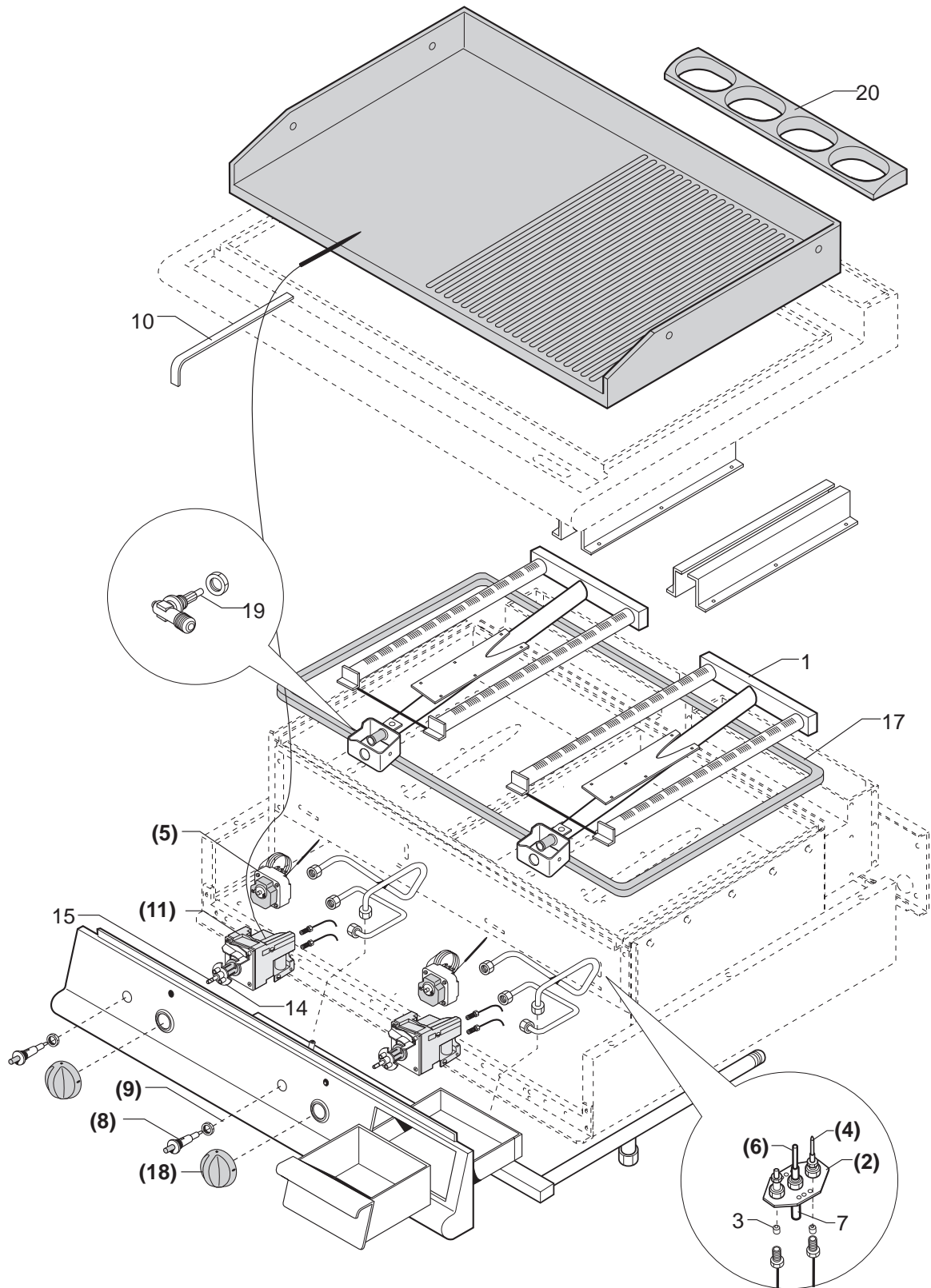
Rev.01 del 28/10/1999

Baron Cucine Professionali S.r.l.

RIPRODUZIONE, ANCHE PARZIALE, VIETATA

BCP0070-(19)

cine



(.....) RICAMBIO CONSIGLIATO
 (.....) SUGGESTED SPARE-PARTS

FRY-TOP A GAS (Serie 700 - 1/1M)
 GAS FRY-TOP (Serie 700 - 1/1M)

Tav. Rif. BCP0070-(22)

RIF. Da matricola n°
 REF. From serial n°

Versione con PIASTRA acciaio e/o CROMO
 Version steel and/or chromed plate

Rev.00 del 16/06/1997

Baron Cucine Professionali S.r.l.

RIPRODUZIONE, ANCHE PARZIALE, VIETATA

BCP0070-(21)

