

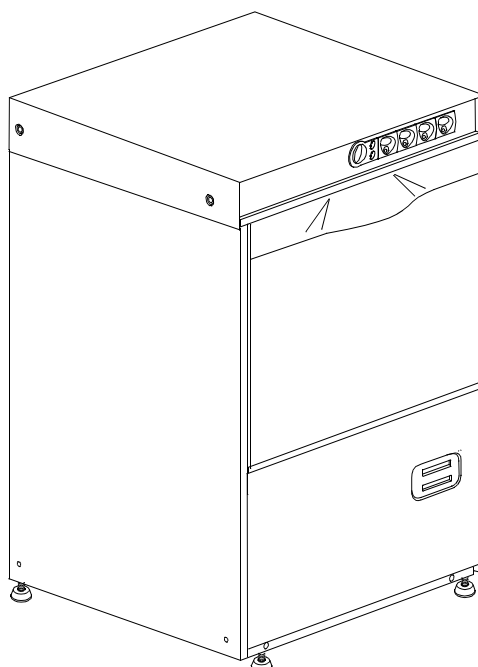
DISHWASHER

ELECTROMECHANICAL SWITCHES
LOWER AND UPPER WASHING

TYPE: 297U

Accessories
BREAK TANK
BOOSTER PUMP
DVGW
WATER SOFTNER
DETERGENT DISPENSER
DRAIN PUMP

Spare parts manual



1. Spare parts

General body parts.....	5
Lockup system	7
Control panel	9
Control electric components.....	11
Solenoid valve group	13
Break Tank	17
Booster pump.....	19
DVGW	21
Water softner group.....	23
Shining product dosing device group .	25
Boiler group	27
3 ways derivation.....	29
Wash pump	31
Dosing device group	33
Dosing device group	35
Drain pump group.....	37

Pressure switch group with air trap ...39

Turret group with rotating arms41

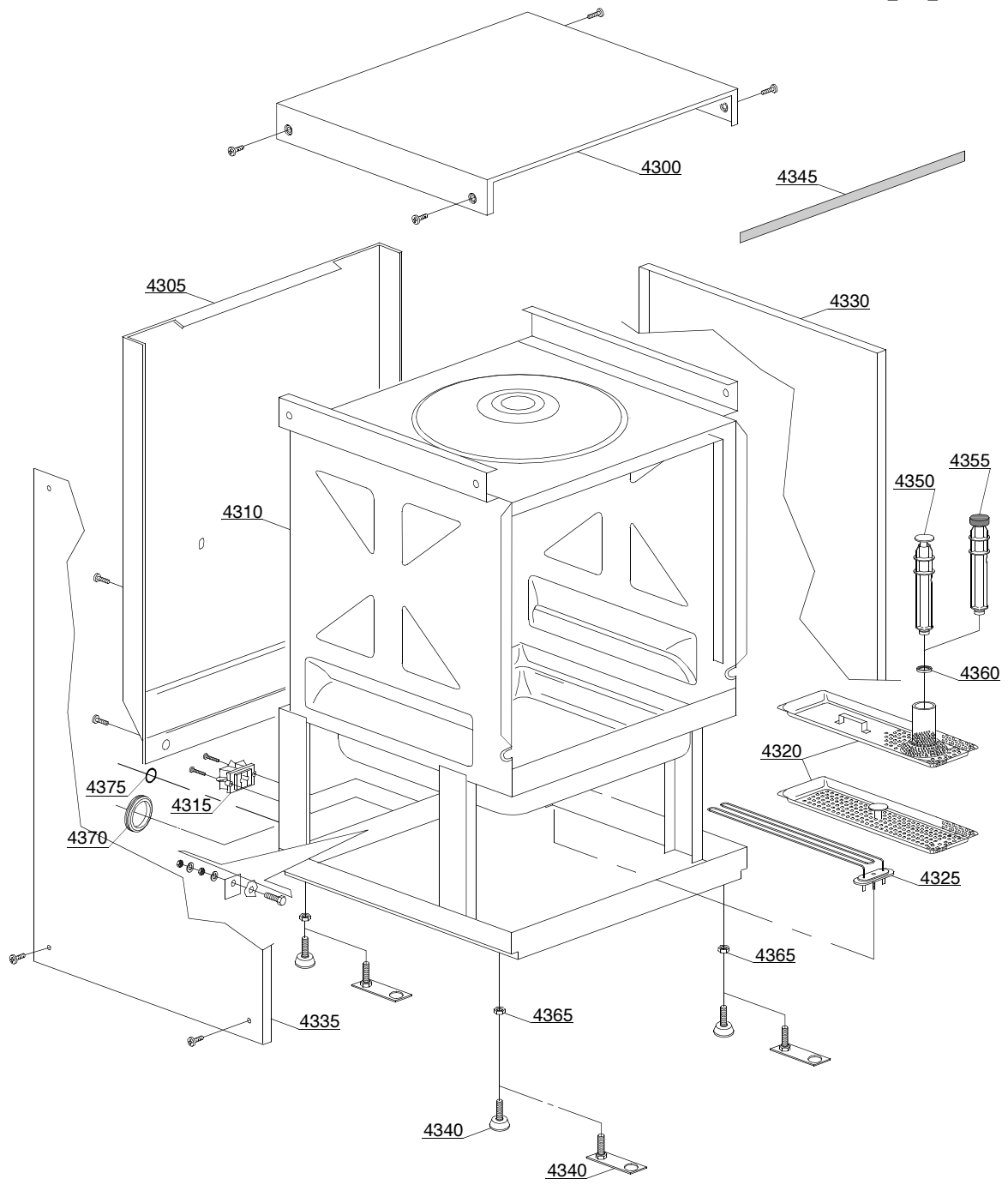
1.1 Voltage codes

Voltage code	Voltage
A	3/N/PE~400/230V 50Hz
B	~250V 16A 50Hz
C	3/N/PE~380/220V 50Hz
D	3/PE~200V 50-60Hz
F	2/PE 220-240V 50Hz
G	3/N/PE~415/240V 50Hz
H	3/PE~230V 50Hz
I	3/PE~220V 60Hz
J	3/PE~380 50Hz
K	3/PE~400V 50Hz
L	3/PE~415V 50Hz
M	3/PE~440V 60Hz
N	3/PE~460V 60Hz
O	3/PE~480V 60Hz
P	1/N/PE~220-240V 50Hz
R	2/PE~220-230V 60Hz
S	3/N/PE~400/230V 50Hz
T	3/PE~230V 60Hz

1.2 Product codes

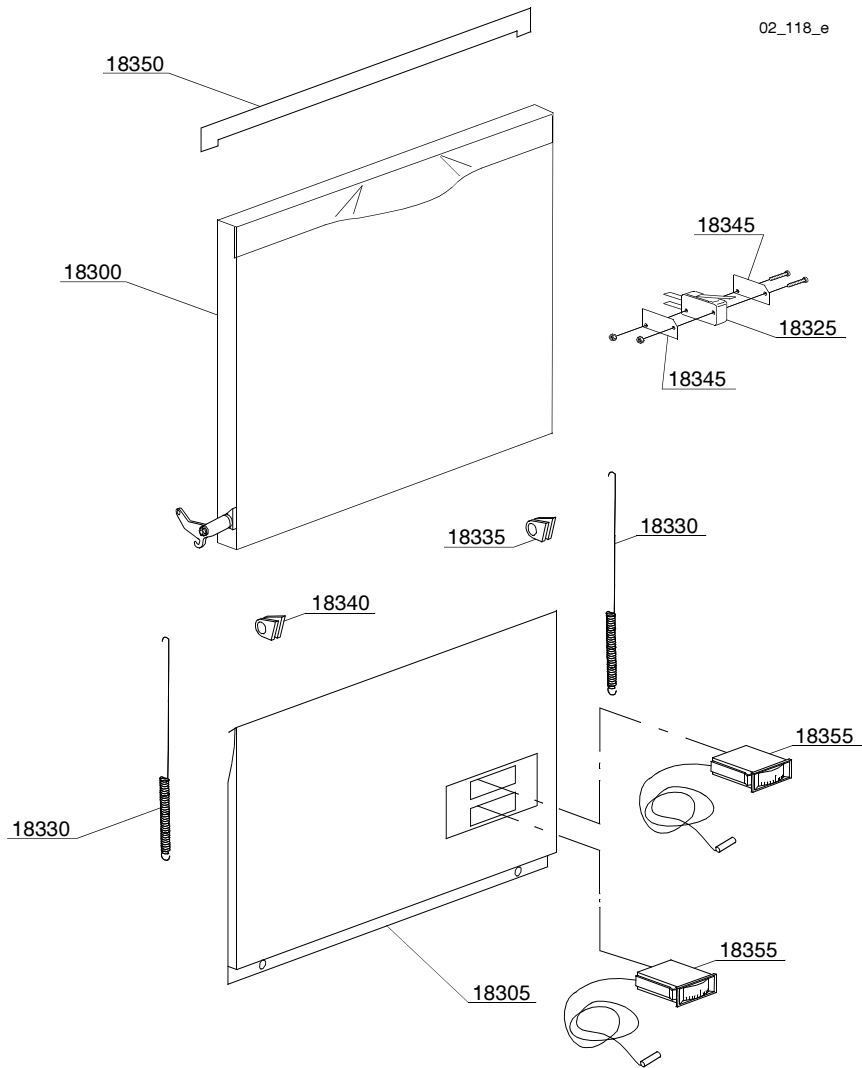
Product code	Full name
Model codes	
em	ELECTROMECHANICAL SWITCHES
ls	LOWER AND UPPER WASHING
Type codes	
297U	297U
Accessory codes	
bt	BREAK TANK
pap	BOOSTER PUMP
dvgw	DVGW
d	WATER SOFTNER
dde	DETERGENT DISPENSER
ps	DRAIN PUMP

01_002_e



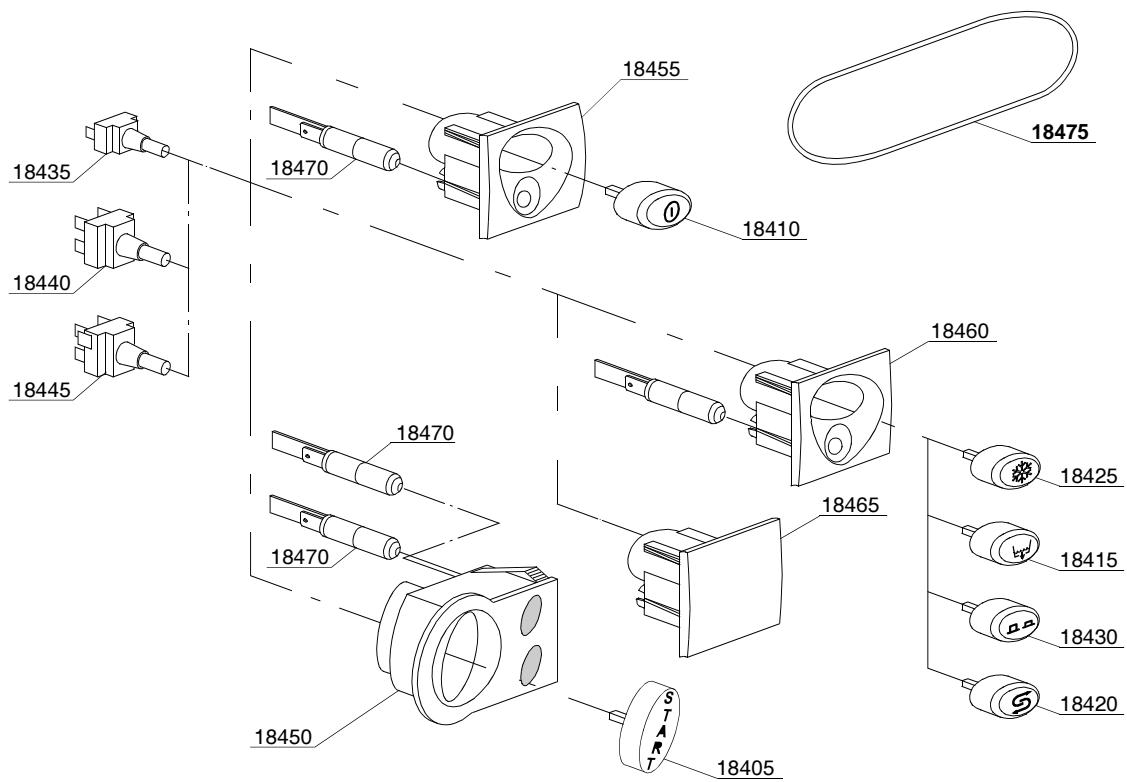
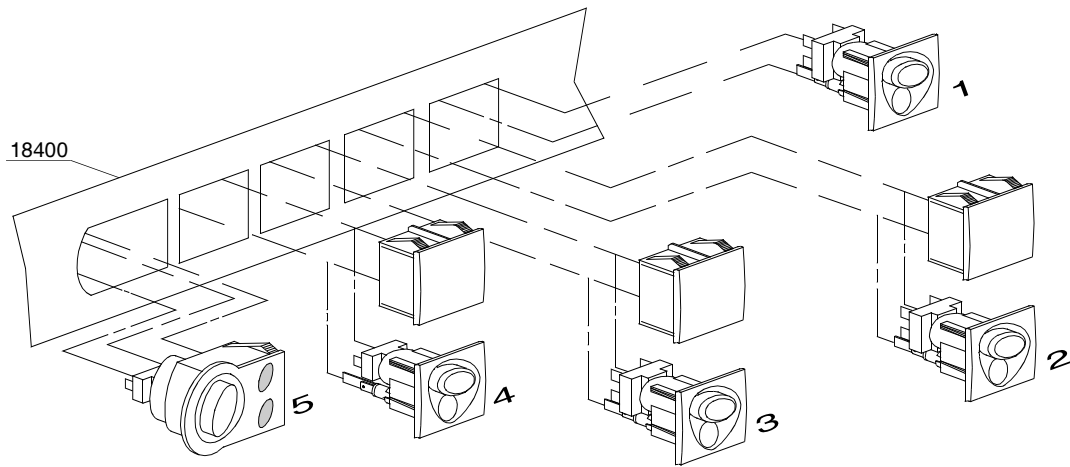
Spare parts

ID	P-code	Model	Type	Accessory	Voltage	Description
MODULE:General body parts						
4300	560917		297U			Cover
4305	560919		297U			Back panel
4305	560938		297U	bt		Back panel
4310	560900		297U			Body
4310	560928		297U	ws		Body
4315	15065/A		297U			Cable-fastener with screw
4320	560925		297U			Surface filter
4325	150047		297U			2,7KW heating element
4330	560914		297U			Right side
4335	560915		297U			Left side
4340	10786		297U			M10x25 Ø40 black foot
4340	15176		297U			M10 marina foot
4345	560021		297U			Profile for door gasket
4350	500619		297U			Overflow pipe
4355	560020		297U	dp		Overflow pipe
4360	13021		297U			DEM 40 gasket
4365	11711		297U			M10 zinc plated nut
4370	13317		297U			Ø40mm fairlead
4375	13323		297U			Ø13mm fairlead



Spare parts

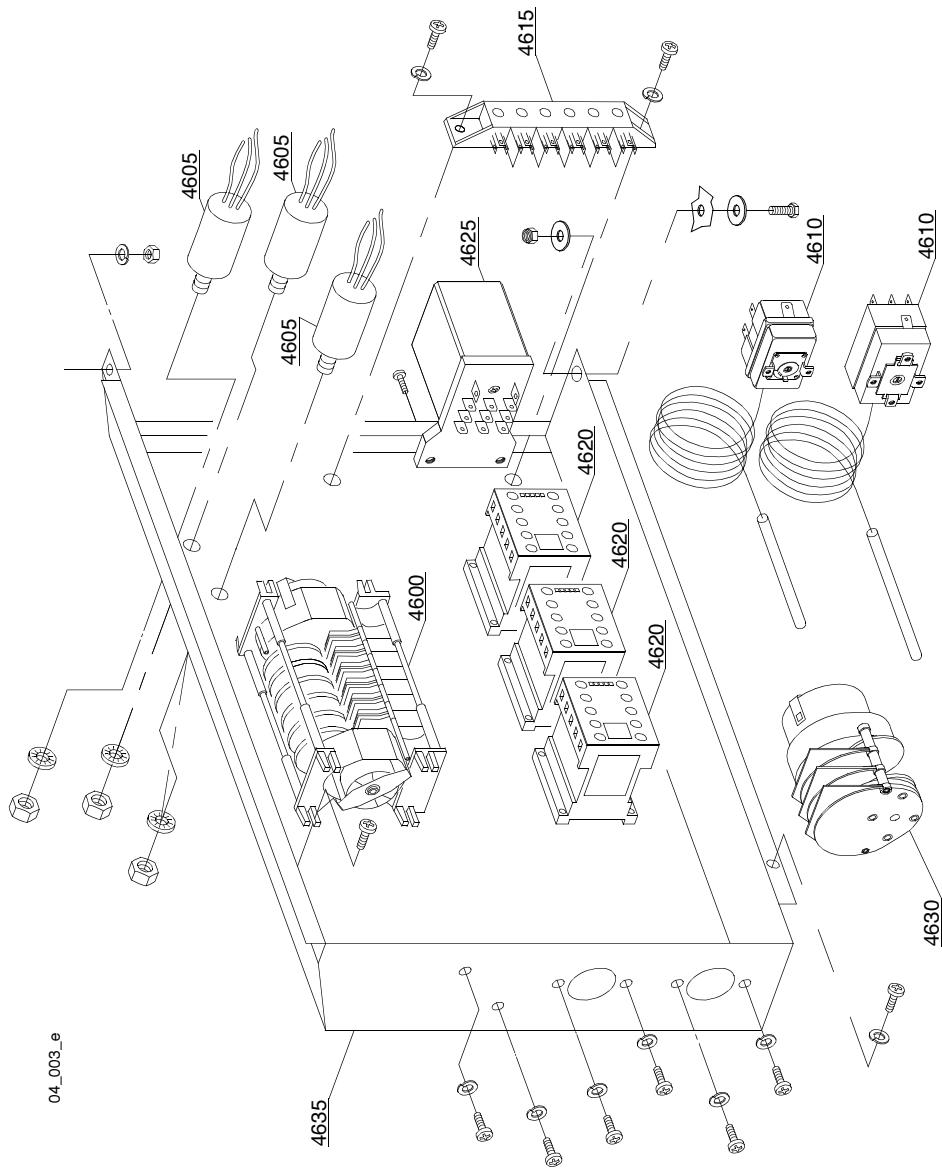
ID	P-code	Model	Type	Accessory	Voltage	Description
MODULE:Lockup system						
18300	560960		297U			Door with steel handle
18305	560947		297U			Lower door for thermometer
18325	10704		297U			Door microswitch
18330	560003		297U			Door spring
18335	560006		297U			Right lock for door hinge
18340	560007		297U			Left lock for door hinge
18345	10770		297U			Insulating for door microswitch
18350	560021		297U			Profile for door gasket
18355	10500005		297U			Thermometer



03_020_e

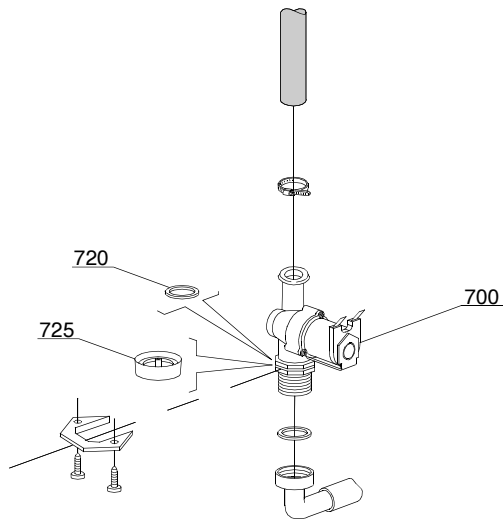
Spare parts

ID	P-code	Model	Type	Accessory	Voltage	Description
MODULE:Control panel						
18400	560962		297U			Gastro 750 plus control panel
18405	89347		297U			Start key
18410	89340		297U			ON-OFF key
18415	89343		297U	dp		Drain pump key
18420	89345		297U	ws		Regeneration key
18425	89344		297U	cr		Hot/cold key
18430	89342		297U			Time push selector switch key
18435	15813		297U			16A unipolar push button
18440	15812		297U			16A switch
18440	15800		297U			16A bipolar push button
18445	15811		297U			16A bipolar switch
18445	15811/A		297U			16A bipolar switch push button
18450	89301		297U			Start key support
18455	89304		297U			Key support
18460	89302		297U			Key support
18465	89303		297U			Closed support
18470	15826		297U			Pilot light
18475	89333		297U			OR gasket



Spare parts

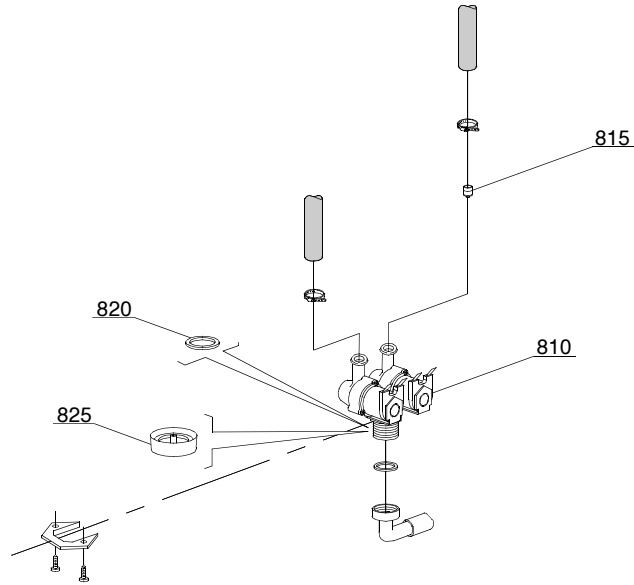
ID	P-code	Model	Type	Accessory	Voltage	Description
MODULE:Control electric components						
4600	10300123		297U		A	"90/180"" timer"
4600	30001027		297U		A	"120/180"" timer"
4600	30001031		297U		A	"120/180"" timer with thermostop"
4605	15149		297U			Low noise filter
4610	10707/1		297U			0-90°C thermostat
4615	500551		297U			6 poles terminal board
4620	15086		297U			Remote control switch 230V 50/60Hz 4C
4620	15086/B		297U			Remote control switch
4625	16037/D		297U	ws		16A bipolar relay
4630	16064/A		297U	ws		Regeneration timer
4635	560921		297U			Electric components panel



05_002_e

Spare parts

ID	P-code	Model	Type	Accessory	Voltage	Description
MODULE:Solenoid valve group						
700	10703		297U			Single solenoid valve
720	N.C.		297U			Pression reducing valve

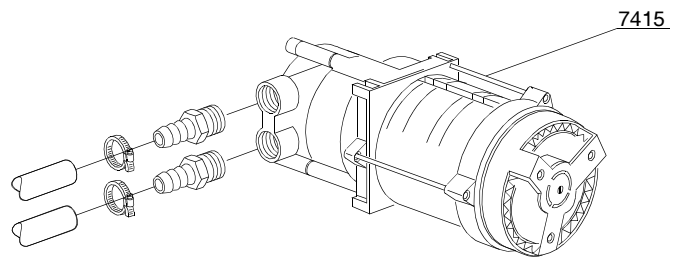
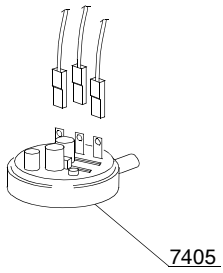
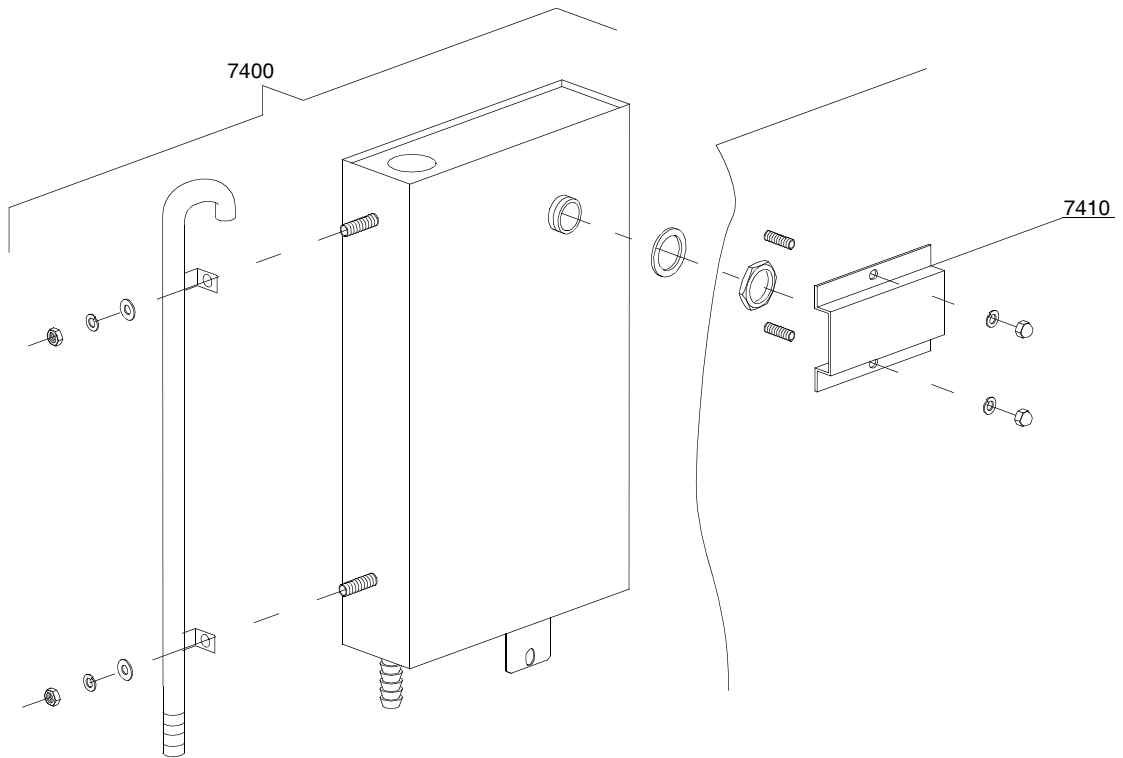


05_003_e

Spare parts

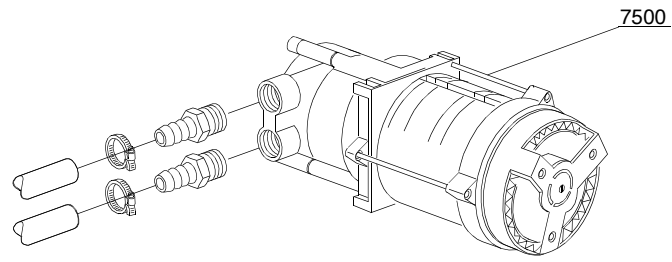
ID	P-code	Model	Type	Accessory	Voltage	Description
810	15098		297U	cr,ws		Double solenoid valve - Ø10
815	15115		297U	cr,ws		Green pression solenoid valve
820	N.C.		297U	cr,ws		Pression reducing valve

06_002_e



Spare parts

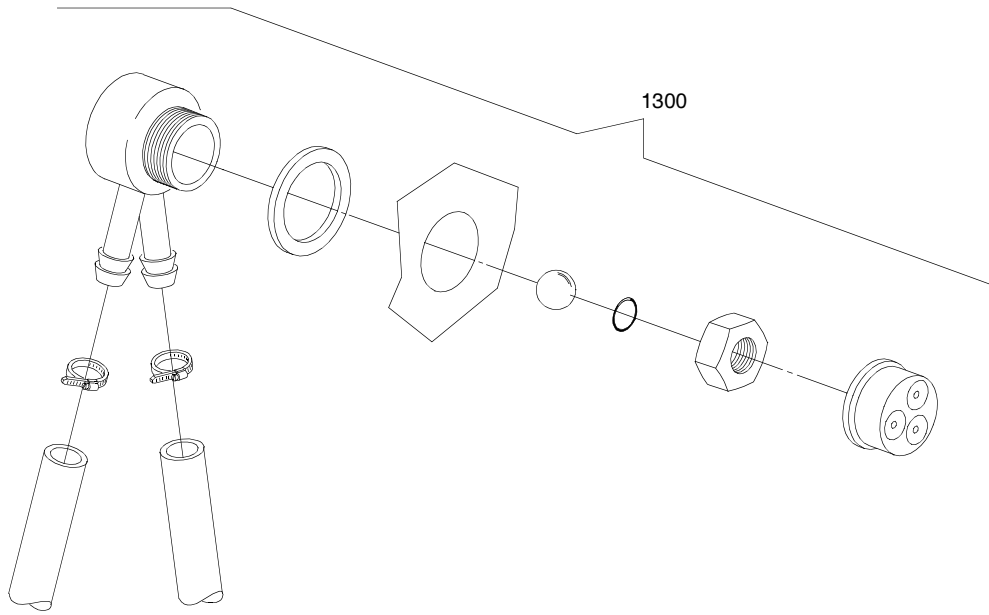
ID	P-code	Model	Type	Accessory	Voltage	Description
MODULE:Break Tank						
7400	15735		297U	bt		Break tank assembly
7405	10706/A		297U	bt		47-27 pressure switch
7410	15738		297U	bt		Hole protection
7415	15100/D		297U	bt		Booster pump



07_003_e

Spare parts

ID	P-code	Model	Type	Accessory	Voltage	Description
MODULE:Booster pump						
7500	15100/D		297U	bp		Booster pump

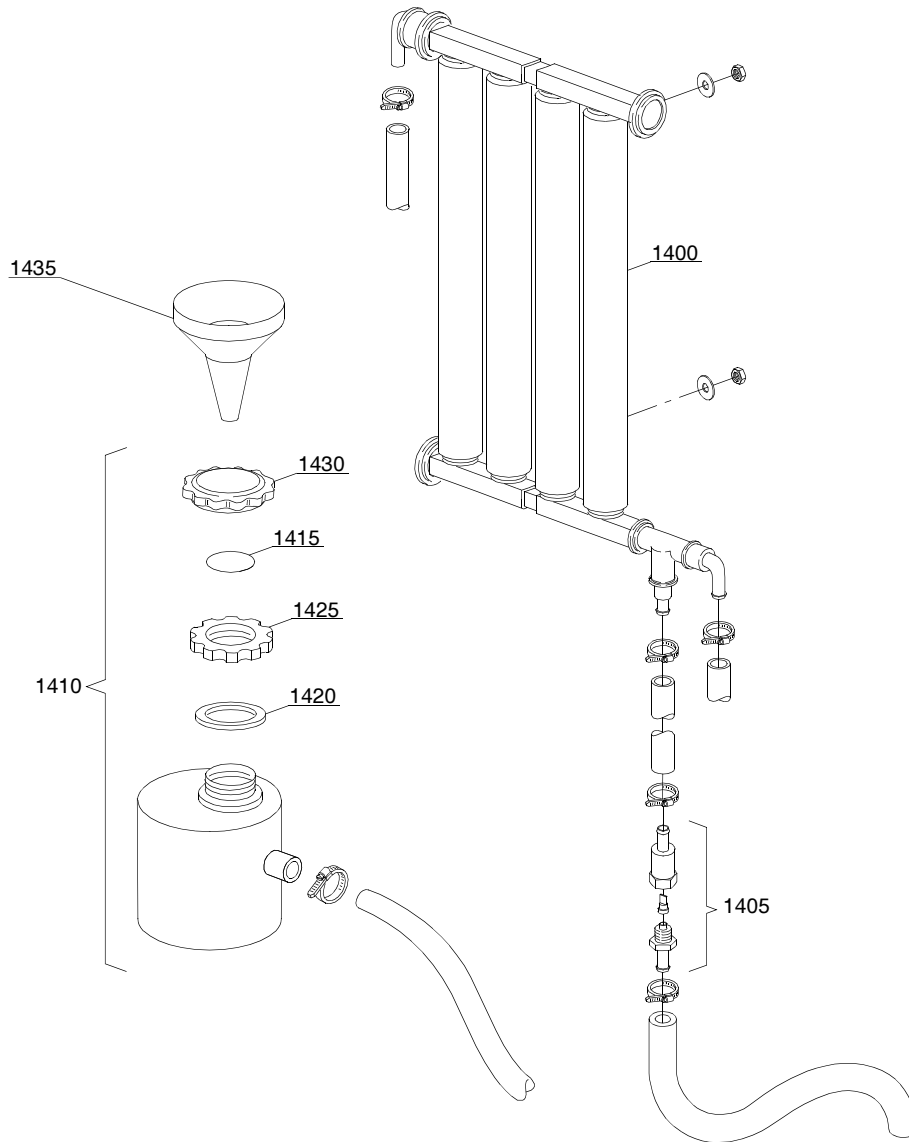


08_005_e

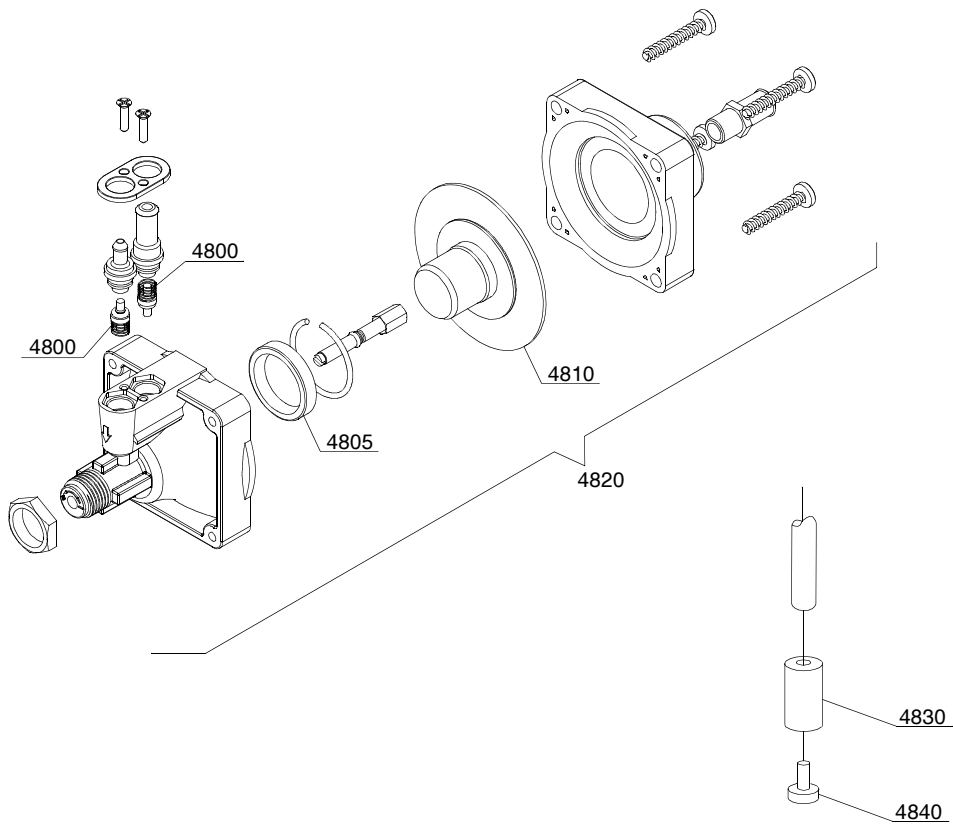
Spare parts

ID	P-code	Model	Type	Accessory	Voltage	Description
MODULE:DVGW						
1300	999900006		297U	dvgw		DVGW assembly

09_001_e



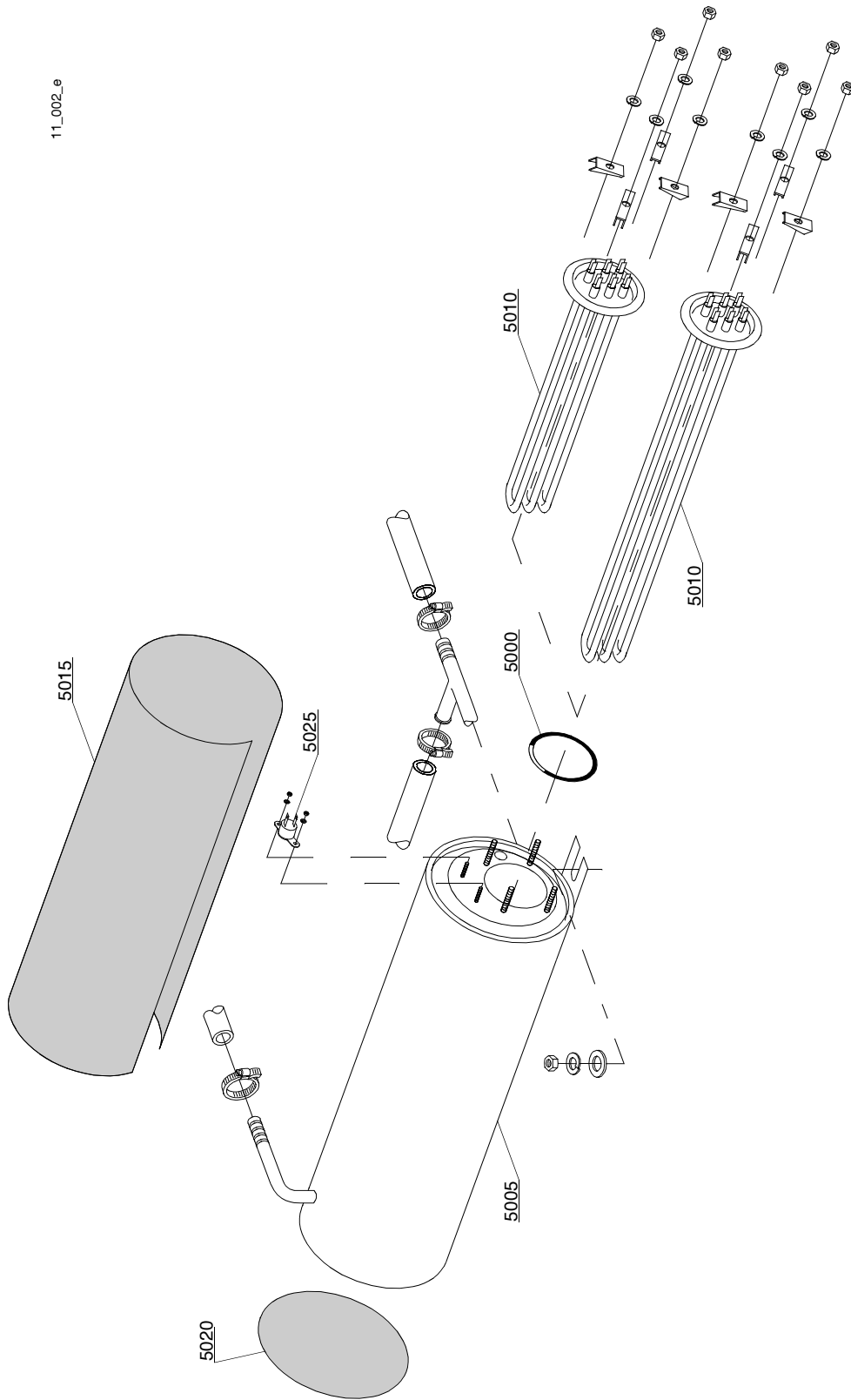
ID	P-code	Model	Type	Accessory	Voltage	Description
MODULE:Water softner group						
1400	16066		297U	ws		4 elements water softner
1405	16070		297U	ws		Nonreturn valve
1410	16065		297U	ws		Salt container
1415	16067/A		297U	ws		OR gasket
1420	16067/B		297U	ws		Gasket
1425	16067/C		297U	ws		Ring nut
1430	16067/D		297U	ws		Plug
1435	16082		297U	ws		Funnel



10_004_e

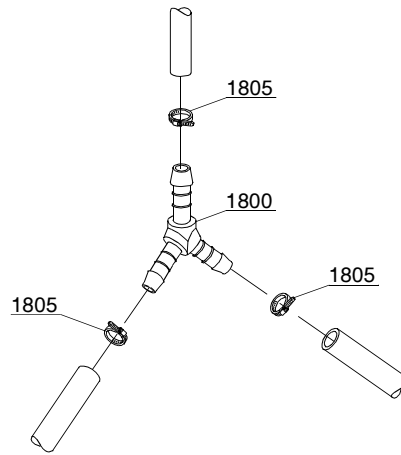
Spare parts

ID	P-code	Model	Type	Accessory	Voltage	Description
MODULE:Shining product dosing device group						
4800	10805		297U			Tecnopro dosing valve
4805	10806		297U			Ø22 gasket
4810	10807		297U			Membrane
4820	10799		297U			Shining product dosing device
4830	12525		297U			Counter-weight
4840	15058		297U			Small filter



Spare parts

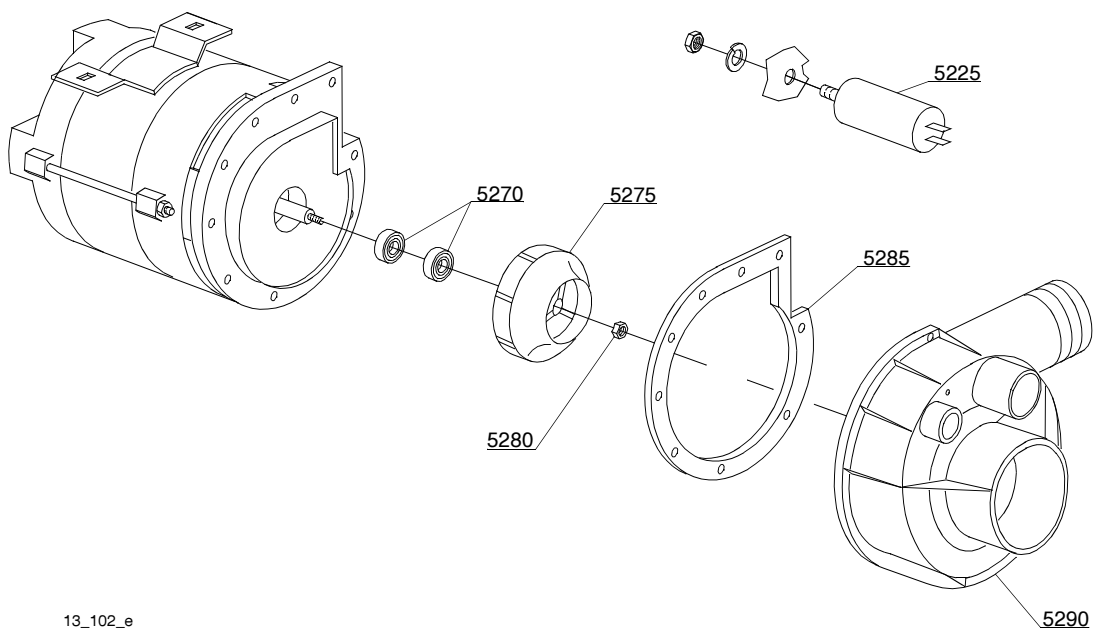
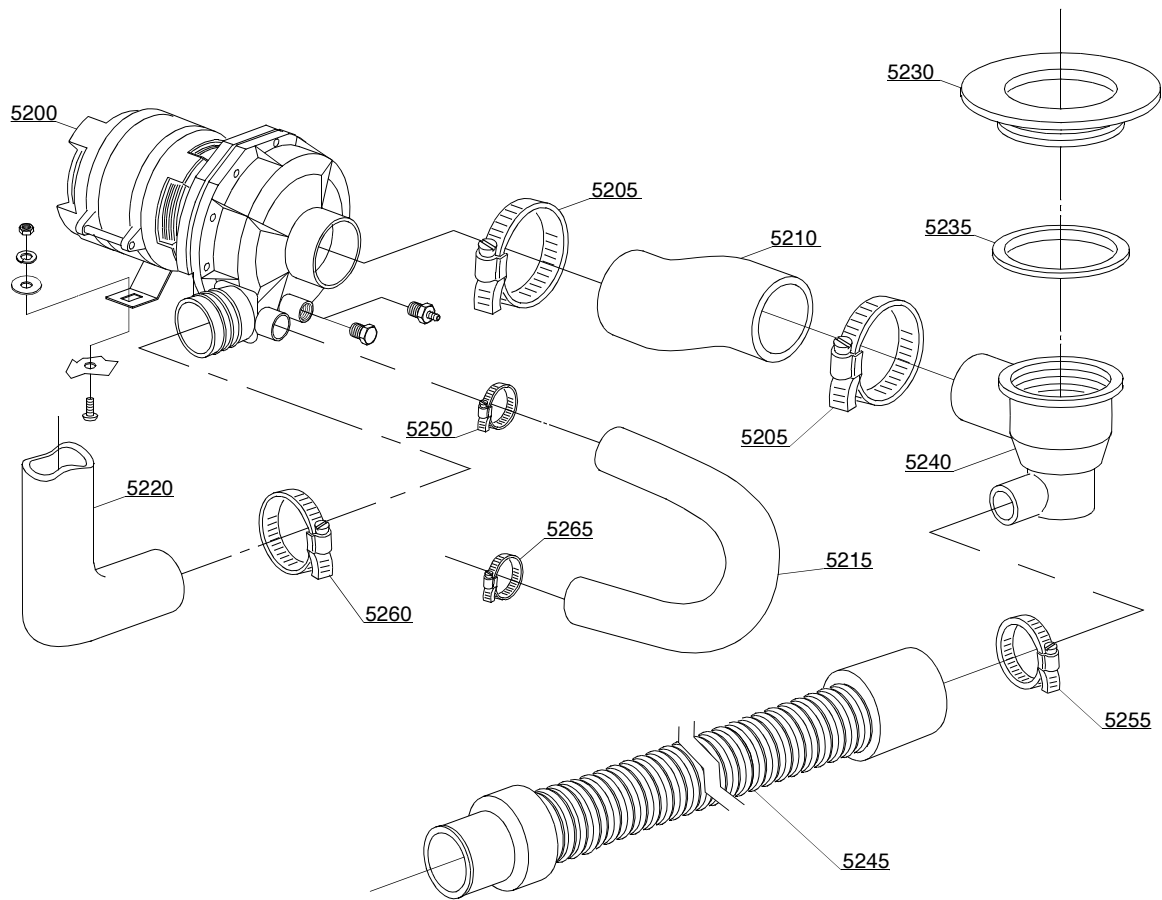
ID	P-code	Model	Type	Accessory	Voltage	Description
MODULE:Boiler group						
5000	13005		297U			OR 151 NBR gasket
5005	150905		297U			Boiler
5010	15089/E		297U			6KW - 230V heating element
5015	15066		297U			Insulating boiler
5020	15205		297U			Ø160 bottom
5025	15550		297U			Safety thermostat



12_003_e

Spare parts

ID	P-code	Model	Type	Accessory	Voltage	Description
MODULE:3 ways derivation						
1800	540091		297U			Ø12 mm plastic 3 ways derivation
1805	11807		297U			12/22 clamp

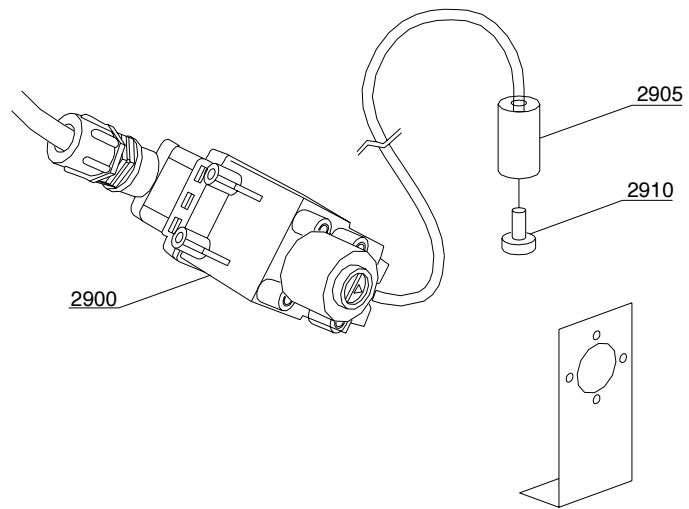
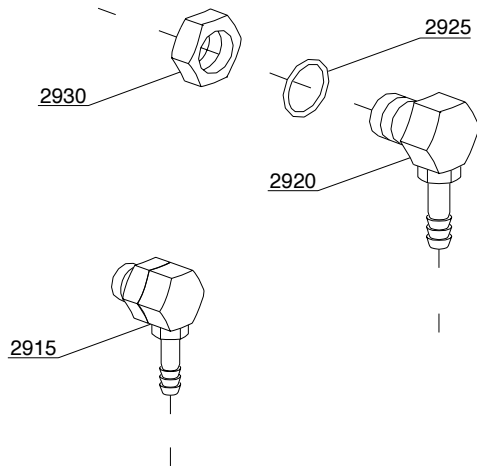


13_102_e

Spare parts

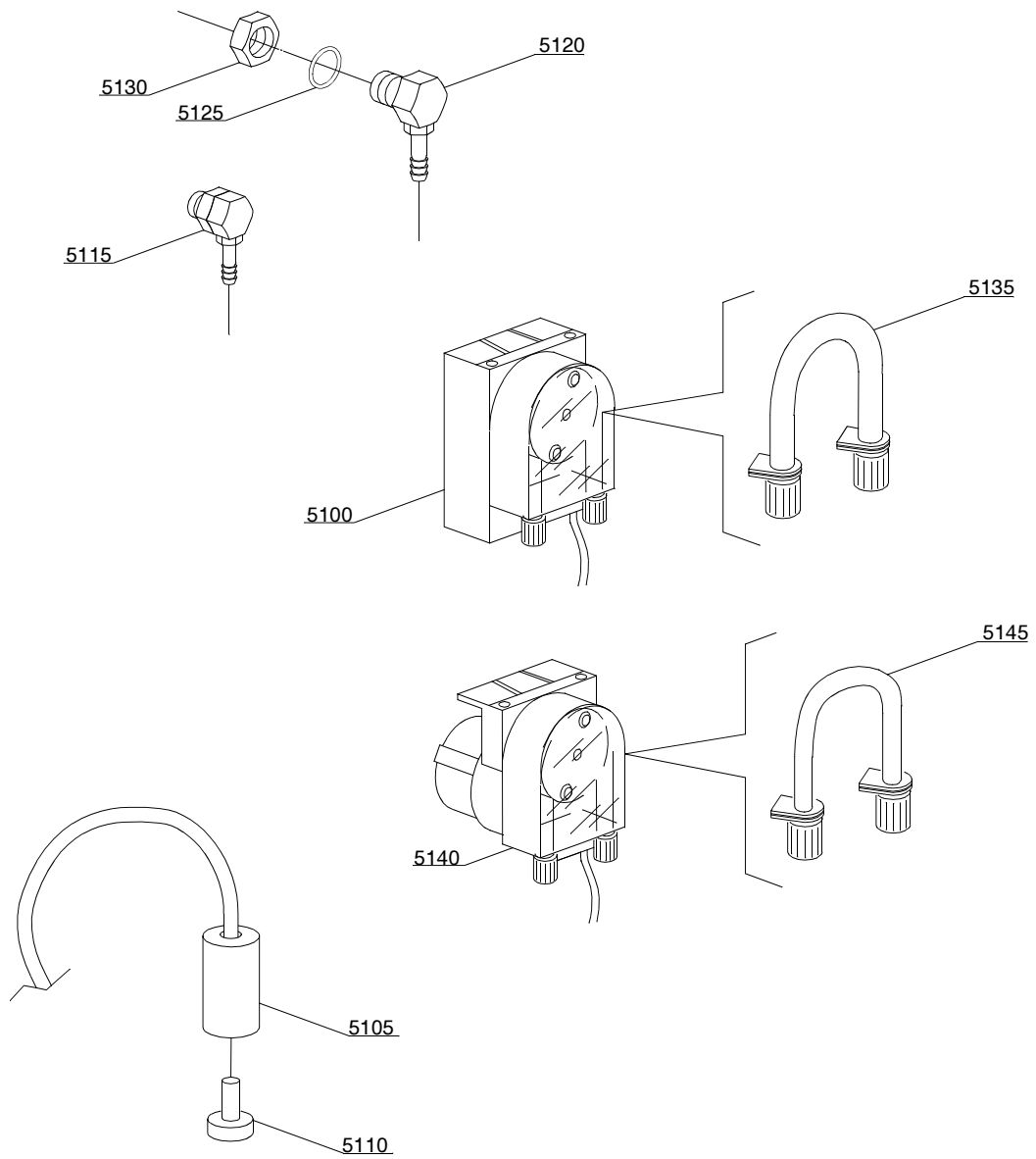
ID	P-code	Model	Type	Accessory	Voltage	Description
MODULE:Wash pump						
5200	15908/D		297U			1Hp - 200Vac 50Hz wash pump
5205	11824		297U			50/70 clamp
5210	25032		297U			Suction pipe coupling
5215	560014		297U			Pump/lower wash turret delivery pipe
5220	560008		297U			Top delivery pipe
5225	15081		297U			12,5 uF condenser
5230	500601		297U			Ring nut
5235	80208		297U			95x75x3 gasket
5240	500606		297U			Right side scrap tray
5245	10727		297U			Drain pipe
5250	11806		297U			25/40 clamp
5255	11807		297U			12/22 clamp
5260	11810		297U			40/60 clamp
5265	11809		297U			30/45 clamp
5270	15080/C		297U			Rotating seals
5275	15079/B		297U			Pump rotor
5280	11724		297U			M6 stainless steel nut
5285	15079/D		297U			Gasket
5290	15031/E		297U			Scroll

14_002_e



Spare parts

ID	P-code	Model	Type	Accessory	Voltage	Description
MODULE:Dosing device group						
2900	15108/L		297U	dd		Lang dosing device
2905	12525		297U	dd		Counter-weight
2910	15058		297U	dd		Small filter
2915	15123		297U	dd		Compleat plastic injector
2920	15148		297U	dd		Steel injector
2930	10200205		297U	dd		M12x1 stainless steel nut

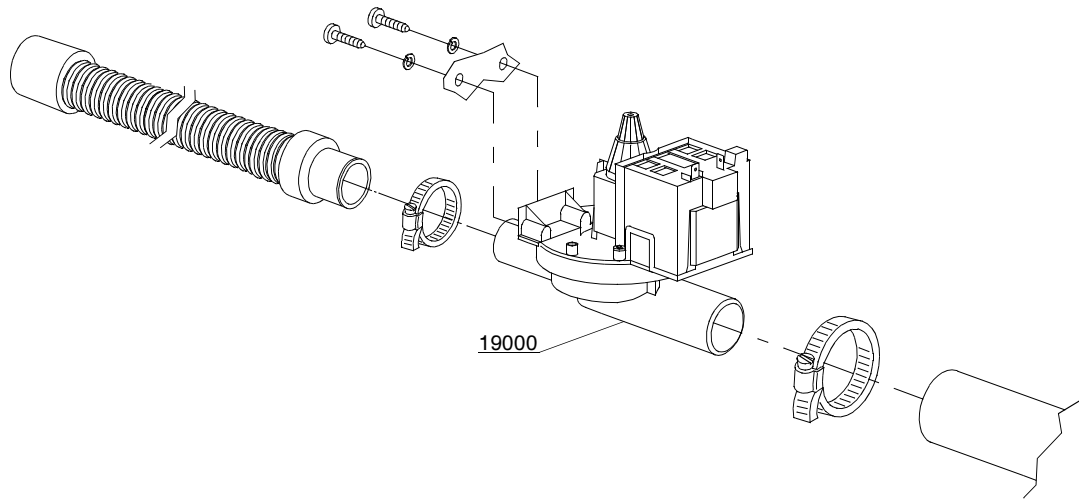


14_004_e

Spare parts

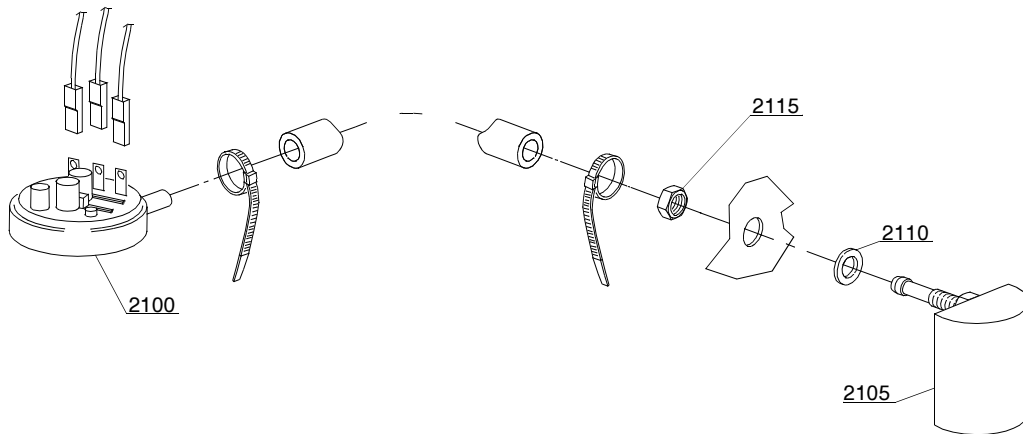
ID	P-code	Model	Type	Accessory	Voltage	Description
MODULE:Dosing device group						
5100	15985		297U	dd		Seko dosing device
5105	12525		297U	dd		Counter-weight
5110	15058		297U	dd		Small filter
5115	15123		297U	dd		Compleat plastic injector
5120	15148		297U	dd		Steel injector
5125	15159		297U	dd		OR gasket
5130	10200205		297U	dd		M12x1 stainless steel nut
5135	15185		297U	dd		Seko thermoplastic pipe
5140	15985		297U	dd		Germac dosing device
5145	15108/E		297U	dd		Germac thermoplastic pipe

15_002_e



Spare parts

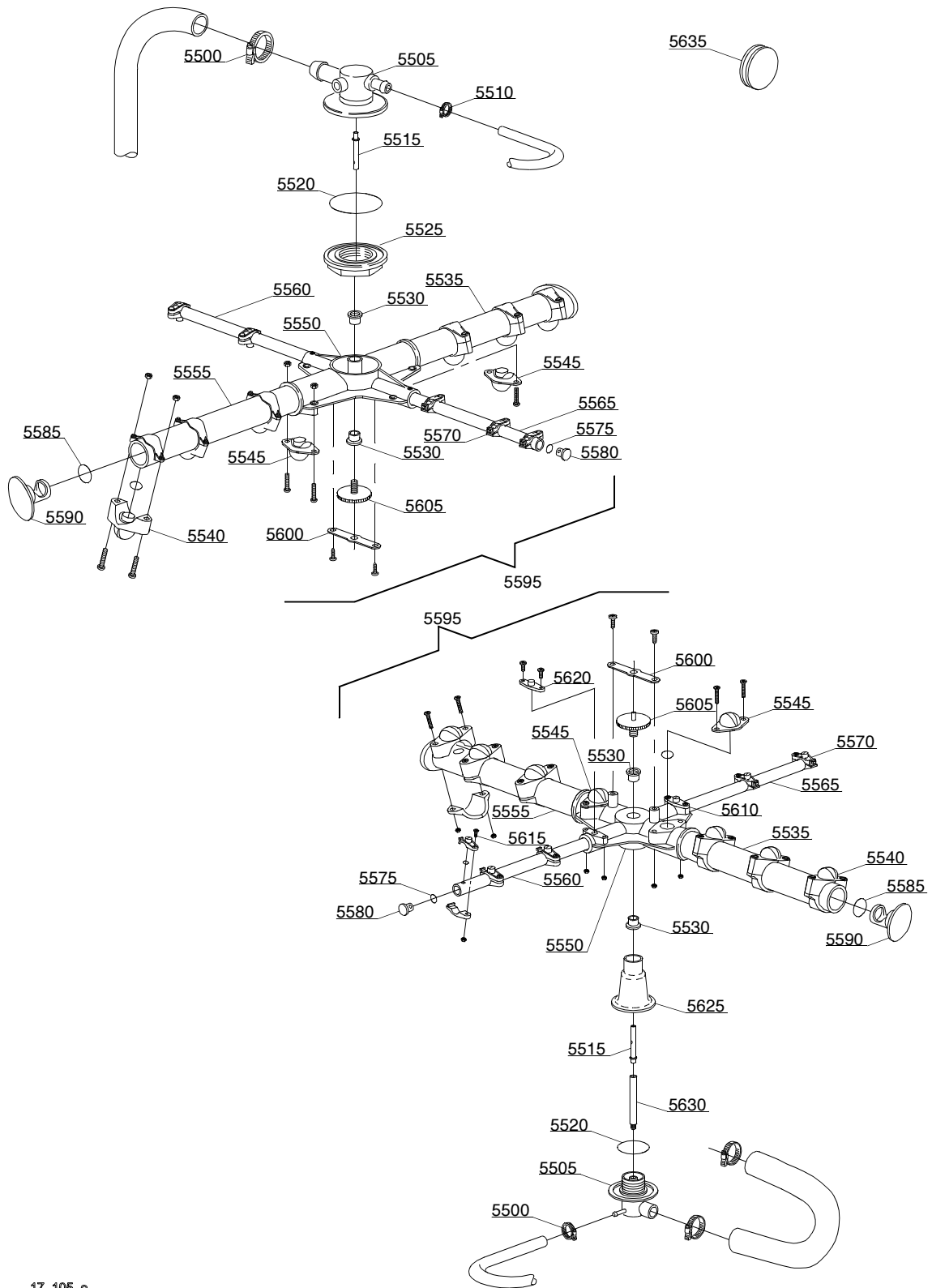
ID	P-code	Model	Type	Accessory	Voltage	Description
MODULE:Drain pump group						
19000	15101/A		297U	dp	A	Drain pump - 50Hz



16_001_e

Spare parts

ID	P-code	Model	Type	Accessory	Voltage	Description
MODULE:Pressure switch group with air trap						
2100	10706/A		297U			47-27 pressure switch
2105	10911/D		297U			Air trap assembly
2110	13301		297U			Gasket
2115	11702		297U			M8 stainless steel nut



17_105_e

Spare parts

ID	P-code	Model	Type	Accessory	Voltage	Description
MODULE:Turret group with rotating arms						
5500	11806		297U			25/40 clamp
5505	500612		297U			Top/lower turret
5510	11807		297U			12/22 clamp
5515	15300		297U			Ø10x51 lower/top rinse axle
5520	13015		297U			6225 OR 160 NBR gasket
5525	500610		297U			Ring nut for fixing turret
5530	13319		297U			Sliding washer
5535	15571		297U			Ø28 right wash pipe
5540	10211		297U			Ø28 raised nozzle
5545	10218		297U			Ø28 opened plane nozzle
5550	10209		297U			4 ways big rotor
5555	15572		297U			Ø28 left wash pipe
5560	15575		297U			Right rinse pipe
5565	15576		297U			Left rinse pipe
5570	12528		297U			Ø10 complet rinse nozzle
5575	13016		297U			2018 OR 103 NBR gasket
5580	12532		297U			Ø10 plastic plug
5585	13018		297U			OR 2087 NBR gasket
5590	10257		297U			Ø28 plastic plug
5595	15956		297U			Ø28 wash/rinse group
5600	10210		297U			Blocking ring nut rotor plaque
5605	11101/I		297U			Stainless steel group fixing screw
5610	10217		297U			Ø10 closed plane nozzle
5615	11004		297U			4x10 TCB Ø8 spax toothed screw
5620	10213		297U			Ø10 opened plane nozzle
5625	560004		297U			Lower pipe coupling
5630	560005		297U			Lower rinse axle
5635	13316/A		297U			DVGW hole gasket