

PLUSNACK 55

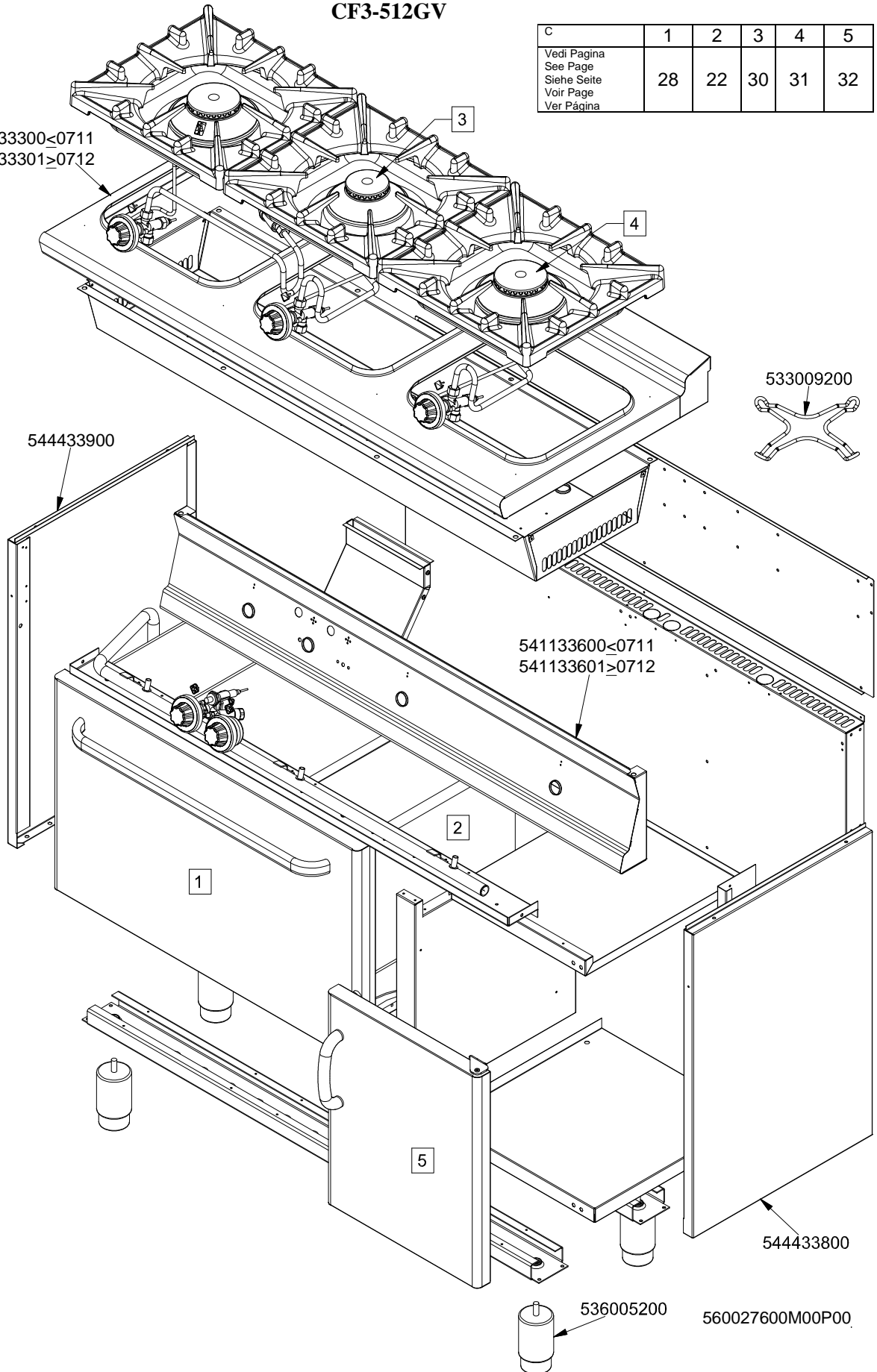
CUCINE / RANGES / HERDE / CUISINIÈRES

CF

CF3-512GV

C	1	2	3	4	5
Vedi Pagina See Page Siehe Seite Voir Page Ver Pàgina	28	22	30	31	32

541133300<0711
541133301>0712

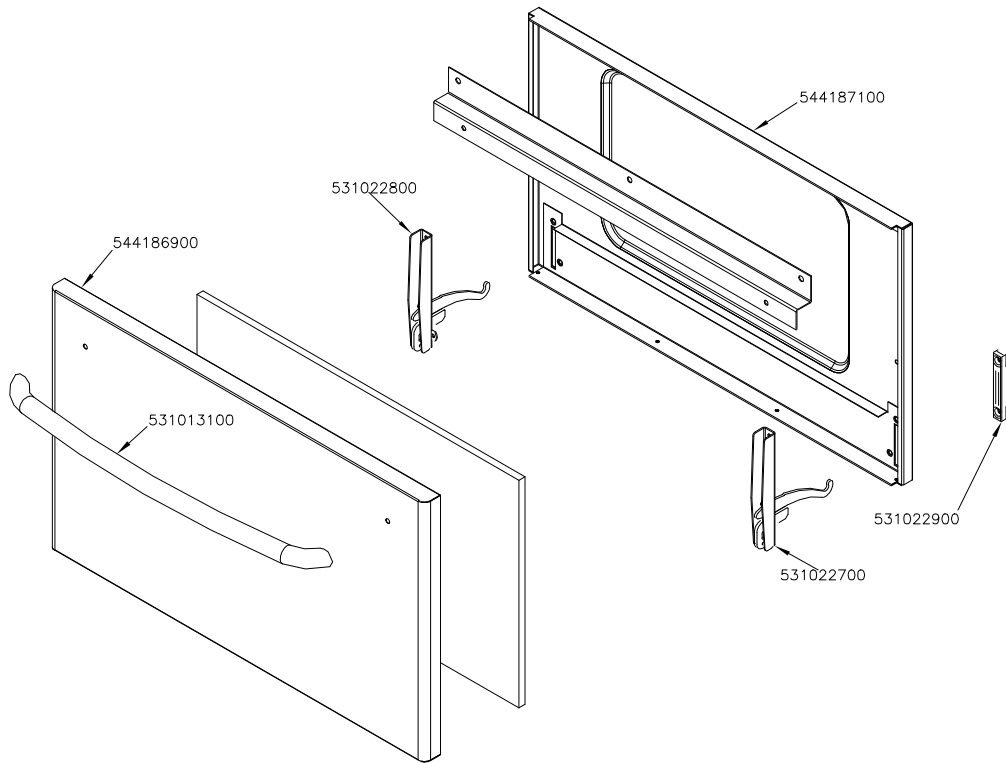


PLUSNACK 55

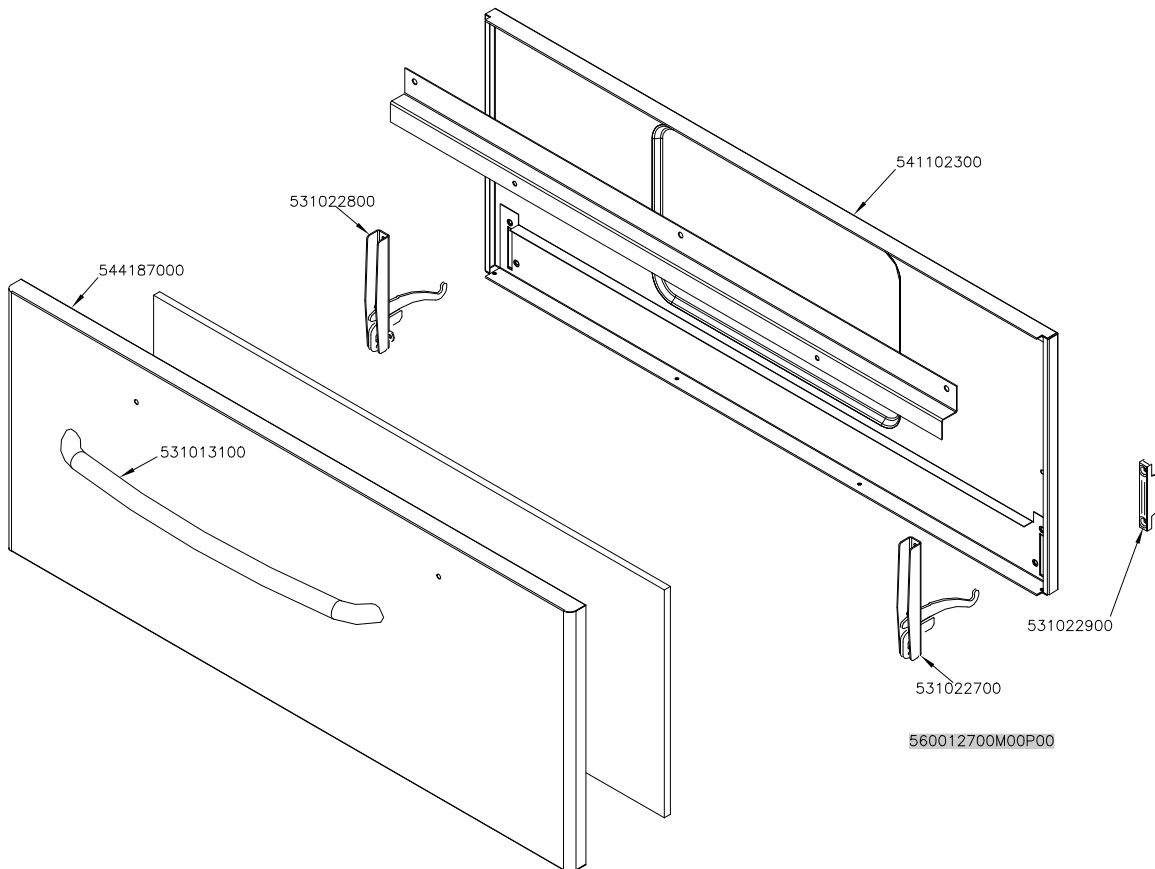
CUCINE / RANGES / HERDE / CUISINIÈRES
FORNO / OVEN / BACKOFEN / FOUR

PORTE / DOORS / TÜREN / PORTES

GN 2/1



GN 3/1

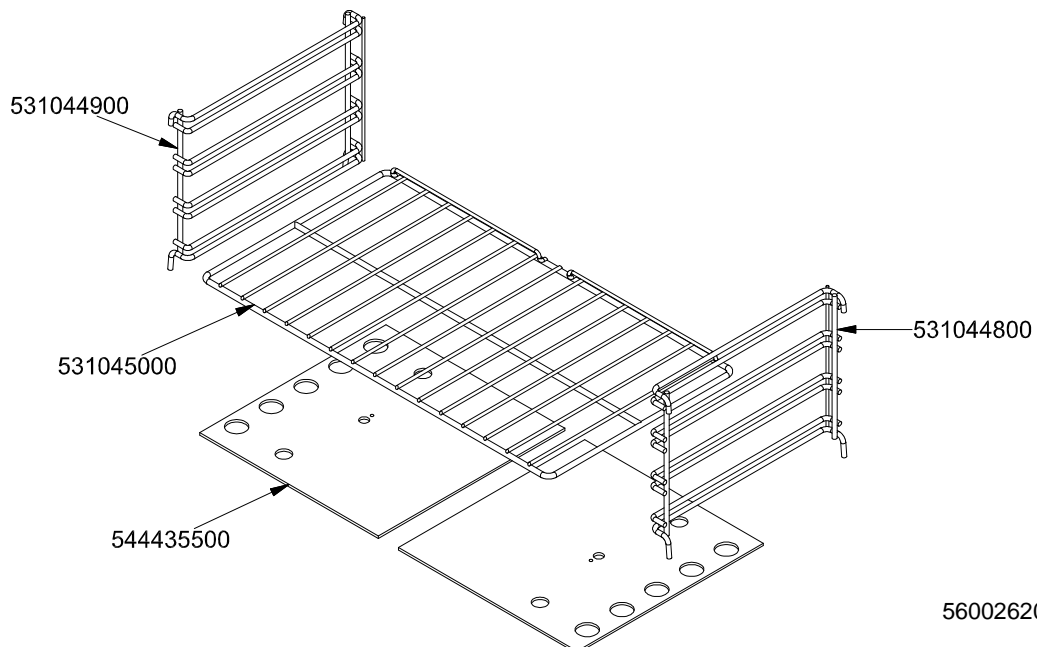
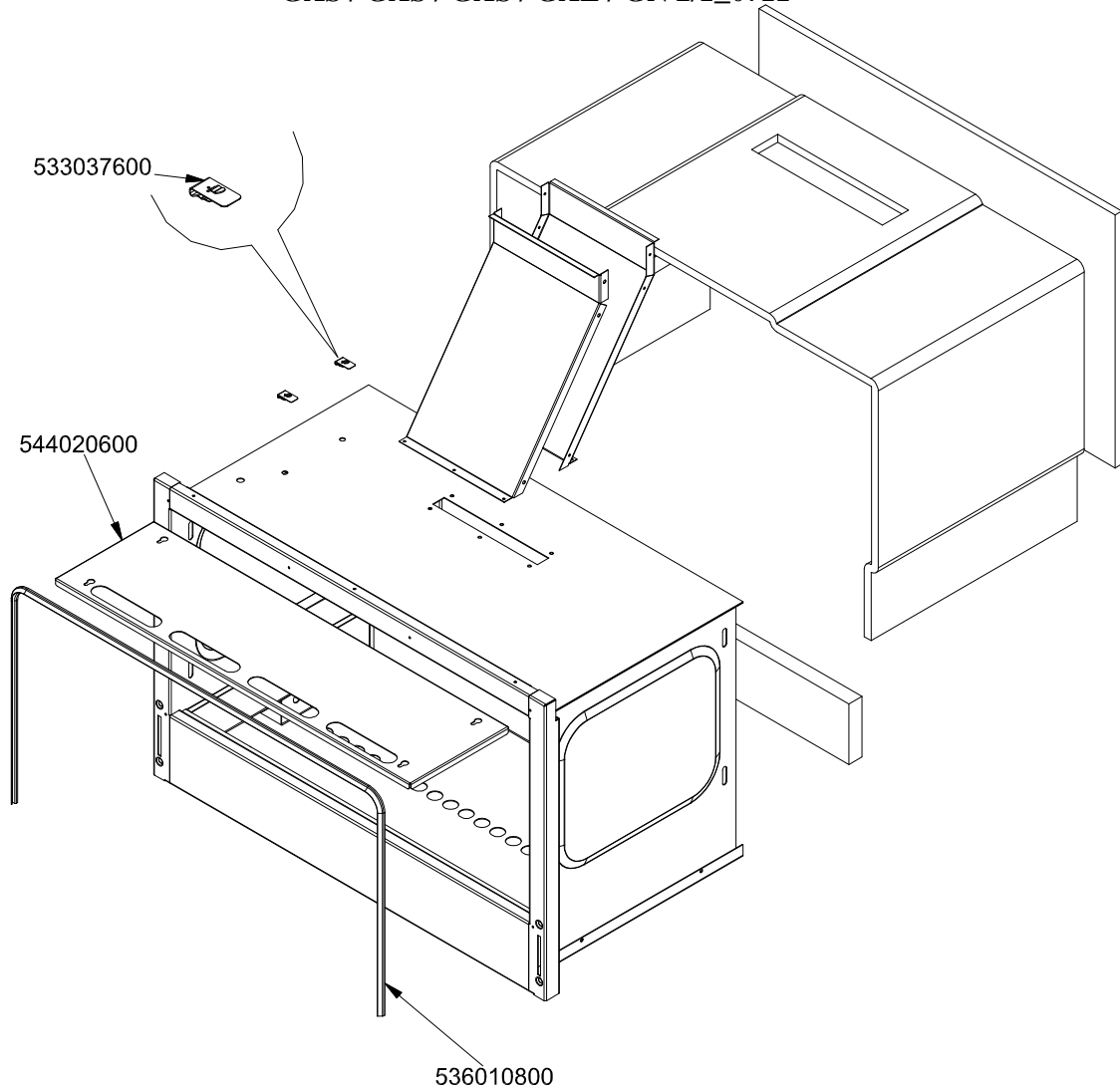


PLUSNACK 55

CUCINE / RANGES / HERDE / CUISINIÈRES

FORNO / OVEN / BACKOFEN / FOUR

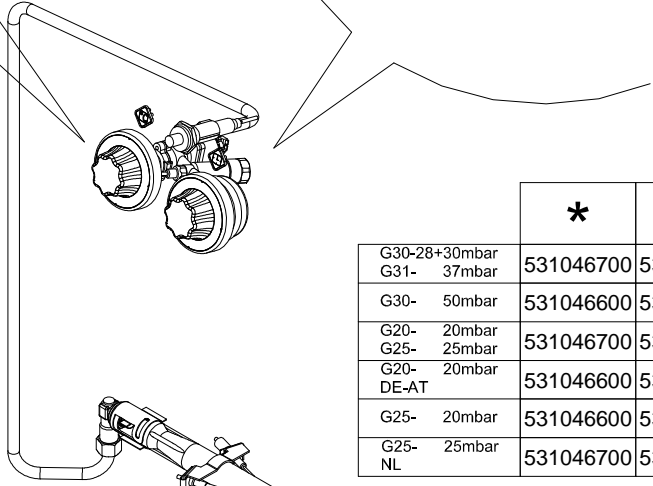
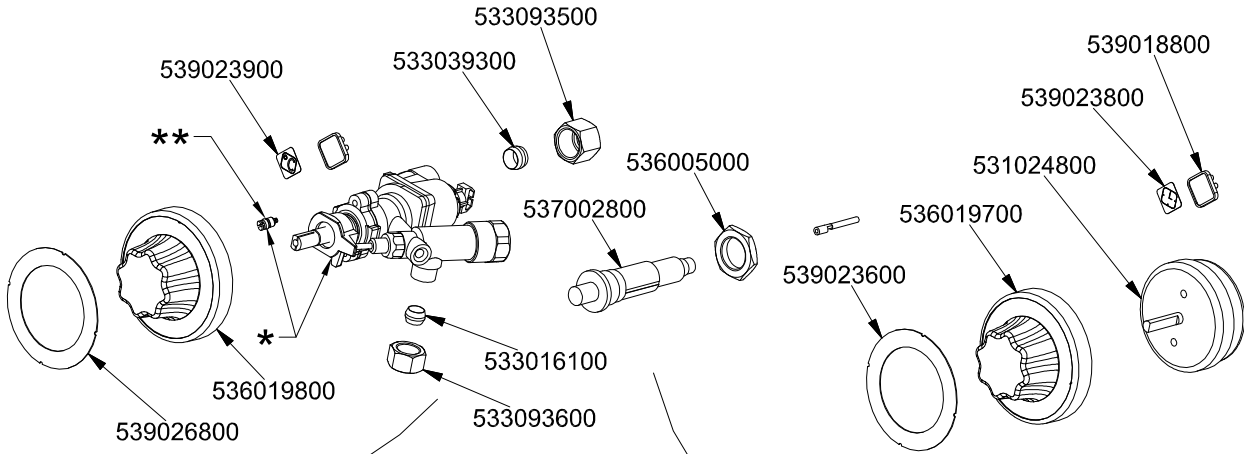
GAS / GAS / GAS / GAZ / GN 2/1≤0711



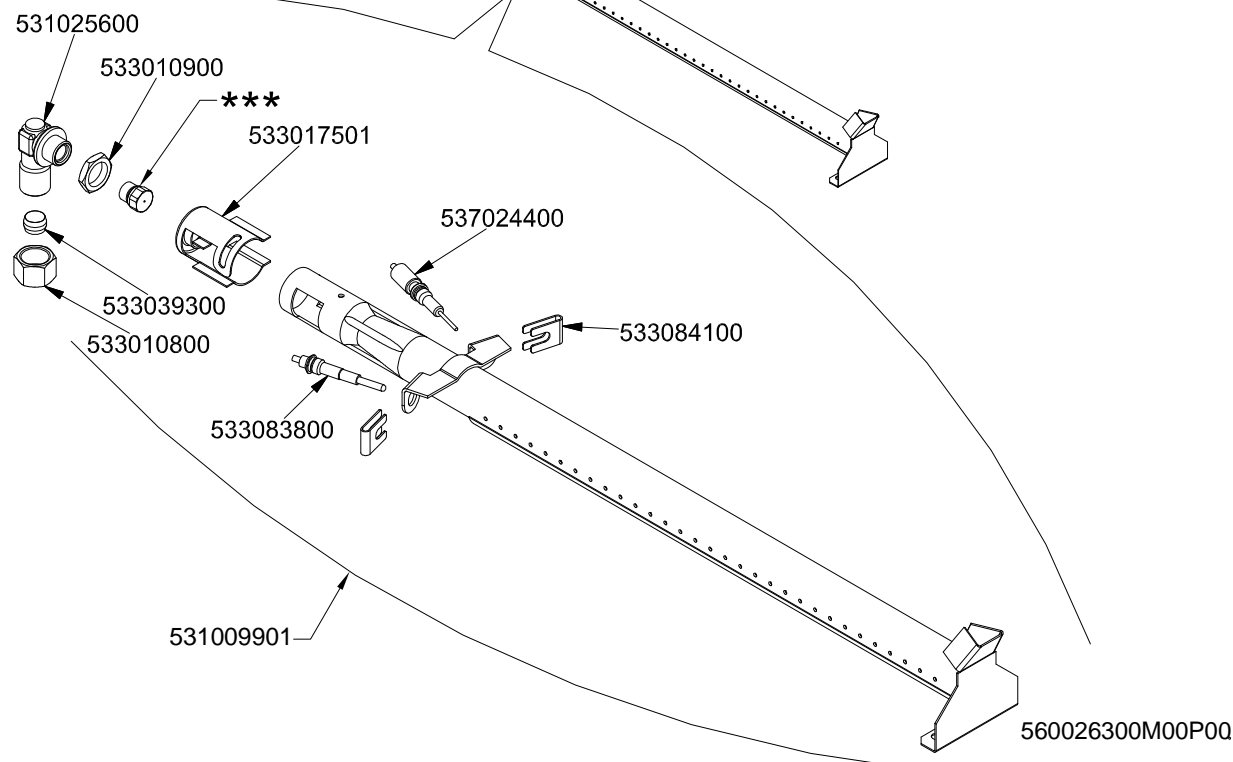
PLUSNACK 55

CUCINE / RANGES / HERDE / CUISINIÈRES
FORNO / OVEN / BACKOFEN / FOUR

GAS / GAS / GAS / GAZ / GN 2/1≤0711



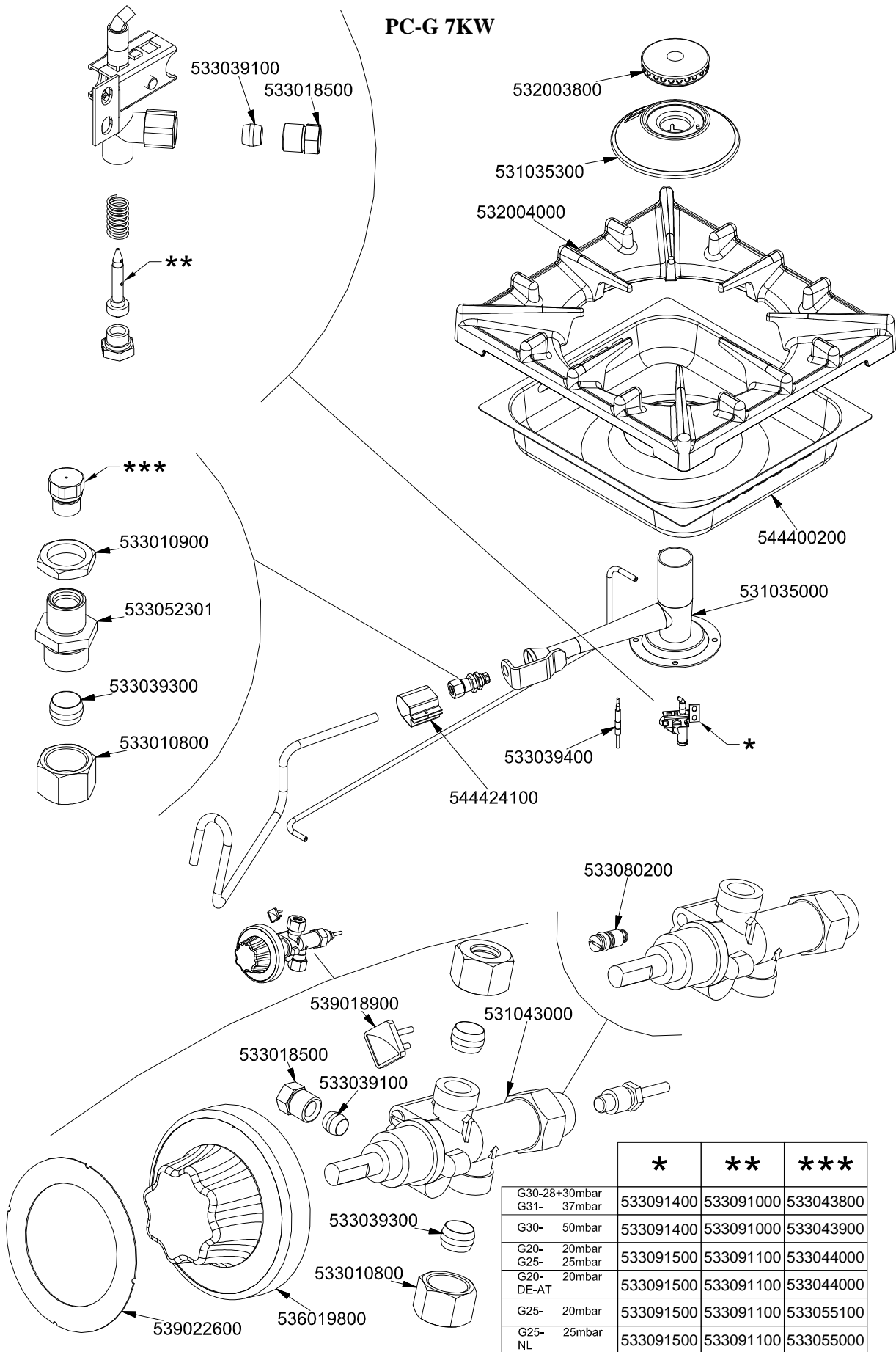
	*	**	***
G30-28+30mbar G31- 37mbar	531046700	533068901	533043300
G30- 50mbar	531046600	533045901	533030500
G20- 20mbar G25- 25mbar	531046700	533068901	533030300
G20- 20mbar DE-AT	531046600	533045901	533030300
G25- 20mbar	531046600	533045901	533019400
G25- 25mbar NL	531046700	533068901	533030200



PLUSNACK 55

COMPONENTI COMUNI / STANDARDS PARTS / UEBLICHE TEILE / COMPOSANTS COMMUNS

PC-G 7KW

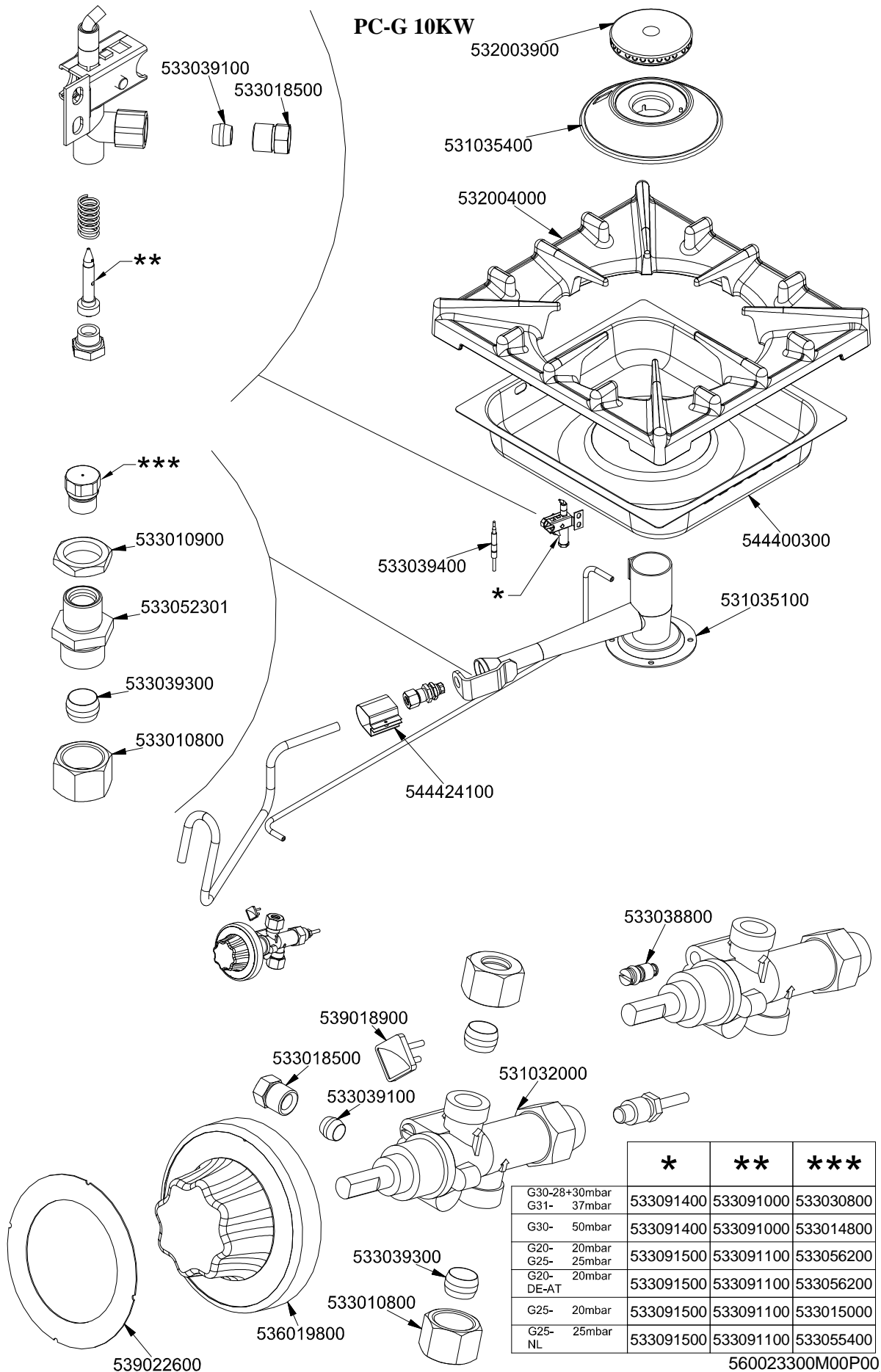


	*	**	***
G30-28+30mbar G31- 37mbar	533091400	533091000	533043800
G30- 50mbar	533091400	533091000	533043900
G20- 20mbar G25- 25mbar	533091500	533091100	533044000
G20- 20mbar DE-AT	533091500	533091100	533044000
G25- 20mbar	533091500	533091100	533055100
G25- 25mbar NL	533091500	533091100	533055000

560023200M00P00

PLUSNACK 55

COMPONENTI COMUNI / STANDARDS PARTS / UEBLICHE TEILE / COMPOSANTS COMMUNS



PC-G 10KW

533039100
533018500

532003900

531035400

532004000

**

533010900

533052301

533039300

533010800

533039400

*

544400300

531035100

544424100

533038800

539018900

533018500

533039100

531032000

*

**

G30-28+30mbar

G31- 37mbar

533091400

533091000

533030800

G30- 50mbar

533091400

533091000

533014800

G20- 20mbar

G25- 25mbar

533091500

533091100

533056200

G20- 20mbar

DE-AT

533091500

533091100

533056200

G25- 20mbar

G25- 25mbar

533091500

533091100

533015000

G25- 25mbar

533091500

533091100

533055400

560023300M00P00

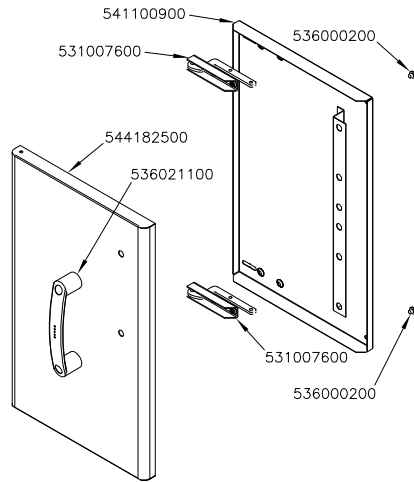
539022600

533039300

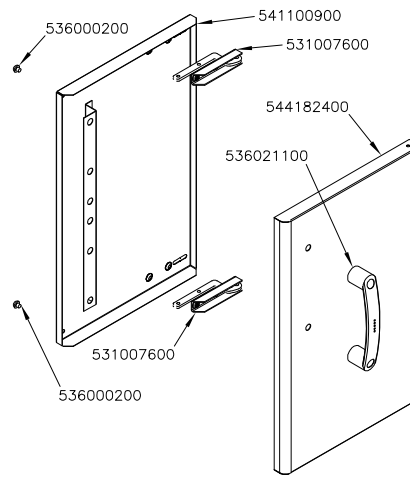
533010800

536019800

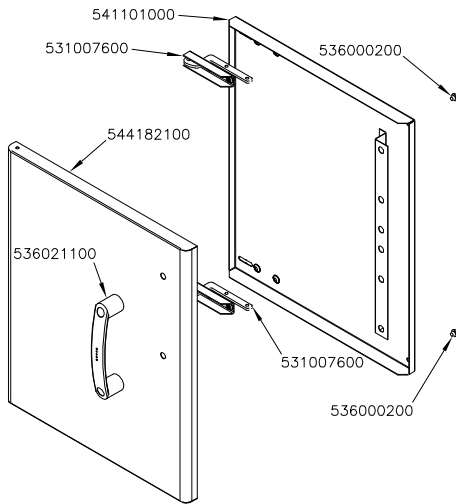
PORTE / DOORS / FLÜGELÜREN / PORTES



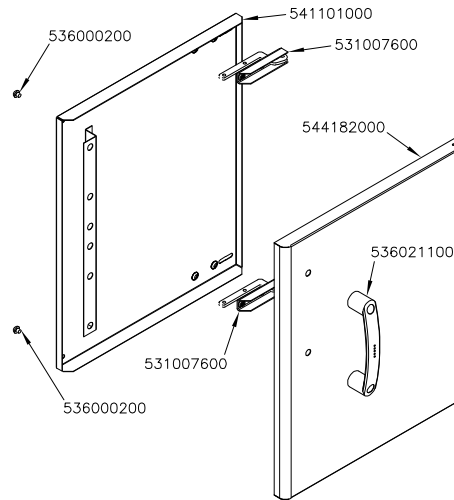
P-73/93 SX



P-73/93 DX

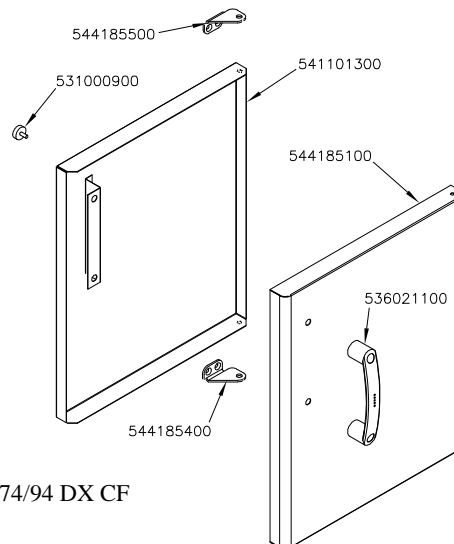


P-74/94 SX



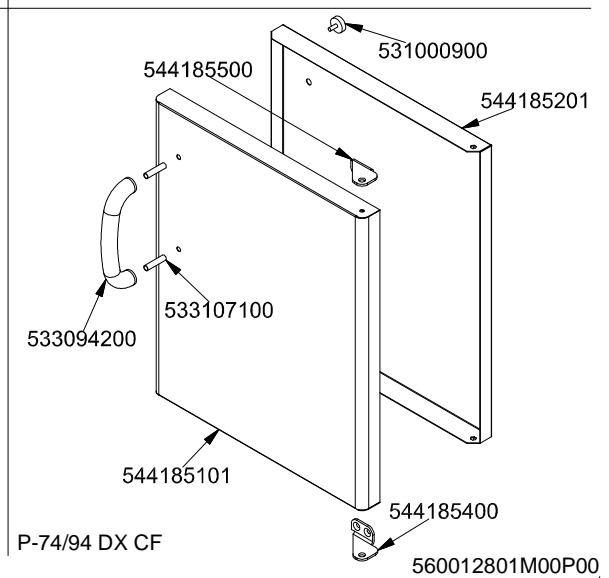
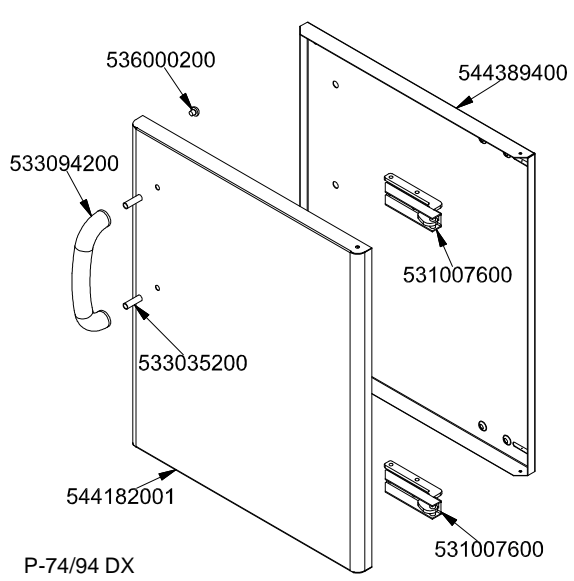
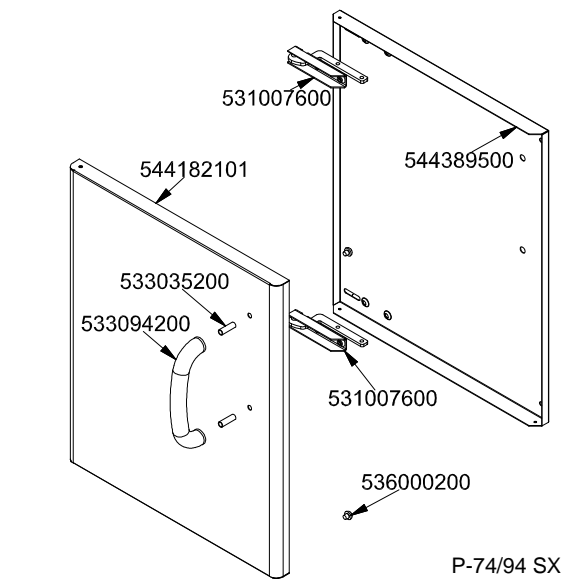
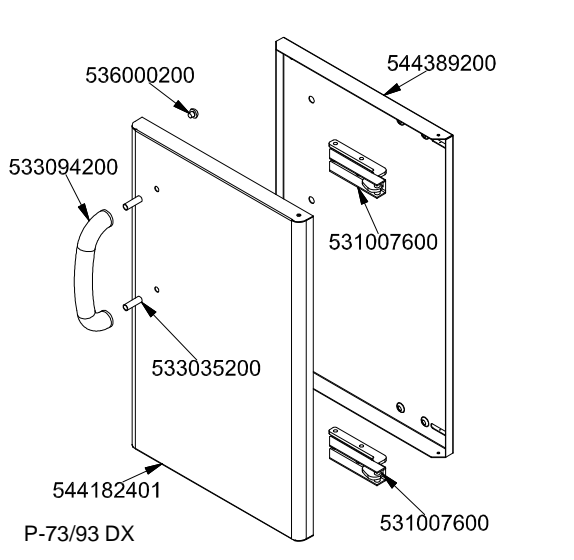
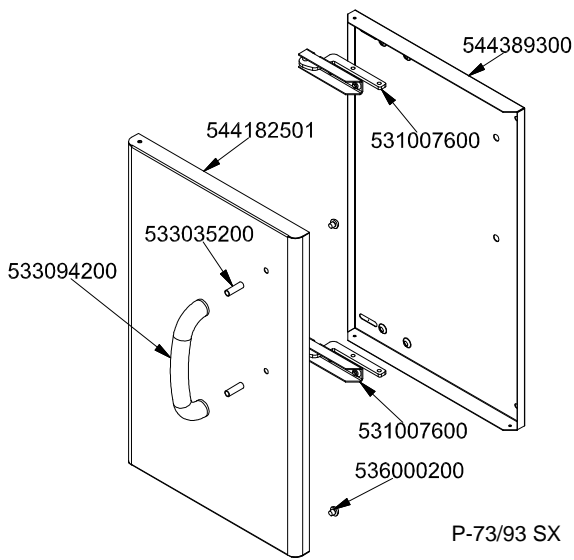
P-74/94 DX

560012800M00P00



P-74/94 DX CF

PORTE / DOORS / FLÜGELÜREN / PORTES



Page	Pos	Code	Description
001		541133300	UPPER PLATE CF3-512GV
001		541133301	UPPER PLATE CF3-512GV
001		533009200	REDUCTION FOR 65 AND 70 LINE
001		544433900	LHD SIDE FOR CF 55
001		541133600	CONTROL PANEL CF3-512G
001		541133601	CONTROL PANEL CF3-512G
001		544433800	RHD SIDE FOR CF 55
001		536005200	INOX LEG 2" 120-180 M10
002		544187100	OVEN INNER DOOR GN 2/1 S.70
002		531022900	HINGE DOOR WHEEL HOLDER S.70
002		531022800	LEFT OVEN DOOR HINGE S.70
002		531013100	OVEN DOOR HANDLE OF 70/90-LINE
002		541102300	GAS OVEN INNER DOOR GN 3/1 S.70
002		531072800	
002		544187000	OVEN DOOR GN 3/1 S.70
002		544186900	OVEN DOOR GN 2/1 S.70
002		531022700	RIGHT OVEN DOOR HINGE 70LINE
003		533037600	LOCK SPRING FOR BULB
003		544020600	HANDLEPROTECTION FOR CF-55
003		536010800	OVEN GASKET GN 2/1 (1261)
003		531044800	RHD SUPPORT GRID OVEN S55
003		531044900	LHD SUPPORT GRID OVEN S55
003		531045000	GRID OVEN GN 1/1 S55
003		544435500	55 GAS OVEN BOTTOM GN1/1
004		539018800	INDEX FOR OVEN KNOB
004		539023800	SIGN PLATE FOR OVEN TIMER
004		531024800	TIMER 120'- 360°
004		536019700	BLACK KNOB §70 PIN §6*5
004		539023600	ADHESIVE GRADUATED DISC FOR KNOB
004		536005000	NUT M18 FOR PIEZOELECTRIC IGNITION
004		533093500	BICONE FITTING §10 3/8G FEM.SABAF
004		533039300	BICONE §10
004		537002800	PIEZOELECTRIC IGNITION M18
004		539023900	SIGN PLATE FOR OVEN TEMPERATURE
004		533016100	BICONE D.8
004		533093600	BICONE FITTING §8 M13 FEM.SABAF
004		536019800	BLACK KNOB §70 PIN §8*6,5
004		539026800	ADHESIVE GRADUATED DISC FOR KNOB
004		531025600	ELBOW 90° NOZZLE-HOLDER §10 PIPE
004		533010900	NUT M14*1 H.4
004		533017501	VENTURI BUSHING FOR OVEN BURNER CF
004		537024400	PLUG IGNITION FOR OVEN-BURNER
004		533084100	LOCK SPRING FOR PLUG-THERMOCOUPLE
004		533010800	TUBE NUT D.10 M16*1,5
004		533083800	THERMOCOUPLE 1200 M8*1 OVEN BURNER
004		531009901	OVEN BURNER CF-8/10G
004		531046700	§50 BY-PASS SAFETY COCK S55
004		533068901	§50 BY-PASS COCK F.OVEN CF60/65/55
004		533043300	NOZZLE §103 CH12*14 F-PC4 UR
004		531046600	§45 BY-PASS SAFETY COCK S55
004		533045901	§45 BY-PASS THERMOSTATIC TAP

Page	Pos	Code	Description
004		533030500	NOZZLE §90 CH12X14 G30/CE
004		533030300	NOZZLE §160 CH12*14 M-FPG
004		533019400	NOZZLE §180 CH12*14 L-FQ5
004		533030200	NOZZLE §170 CH12*14 MH-FG L-FP/CW
005		533039100	BICONE §6
005		533018500	FITTING FOR BICONE D.6 M10*1
005		532003800	BURNER COVER RING §082
005		531035300	MEDIUM BURNER BODY 90 LINE
005		532004000	1 FLAME GRILL 396X366 (90)
005		544400200	BURNER DRIP PAN 2/3
005		531035000	MEDIUM BURNER VENTURI 90 LINE
005		533010900	NUT M14*1 H.4
005		533052301	JOINT FOR NOZZLE HOLDER
005		533039300	BICONE §10
005		533010800	TUBE NUT D.10 M16*1,5
005		533039400	THERMOCOUPLE M9*1*850
005		544424100	
005		533080200	BY PASS COCK §65 20S-21S
005		531043000	GAS COCK 21S P.V. BY-PASS §065
005		539018900	INDEX FOR KNOB
005		536019800	BLACK KNOB §70 PIN §8*6,5
005		539022600	GRADUATED STICKER FOR KNOB
005		533091400	P.NOZZLE S100 UG.§20 PC90 LPG-FLUS
005		533091000	NOZZLE 0.100 §20
005		533043800	NOZZLE §130 CH12*14 G-CW4
005		533043900	NOZZLE §115 CH12*14 F-CW4
005		533091500	PILOT NOZZLE S.100 §30 PC90 NAT.GAS
005		533091100	NOZZLE 0.100 §30
005		533044000	NOZZLE §195 CH12*14 M-CW4
005		533055100	NOZZLE §215 CH12*14 L-CW4
005		533055000	NOZZLE §205 CH12*14 G25 CW4
006		532003900	BURNER COVER RING §100
006		533039100	BICONE §6
006		533018500	FITTING FOR BICONE D.6 M10*1
006		531035400	BIG BURNER BODY 90 LINE
006		532004000	1 FLAME GRILL 396X366 (90)
006		544400300	BURNER DRIP PAN 2/3
006		531035100	BIG BURNER VENTURI 90 LINE
006		533039400	THERMOCOUPLE M9*1*850
006		544424100	
006		533010900	NUT M14*1 H.4
006		533052301	JOINT FOR NOZZLE HOLDER
006		533039300	BICONE §10
006		533010800	TUBE NUT D.10 M16*1,5
006		533038800	75 BY-PASS FOR 21S TAP
006		531032000	GAS COCK P.V.BY-PASS Ø075
006		539018900	INDEX FOR KNOB
006		536019800	BLACK KNOB §70 PIN §8*6,5
006		539022600	GRADUATED STICKER FOR KNOB
006		533091400	P.NOZZLE S100 UG.§20 PC90 LPG-FLUS
006		533091000	NOZZLE 0.100 §20

Page	Pos	Code	Description
006		533030800	NOZZLE §155 CH12X14 M-CW
006		533014800	NOZZLE §135 CH12*14,0
006		533091500	PILOT NOZZLE S.100 §30 PC90 NAT.GAS
006		533091100	NOZZLE 0.100 §30
006		533056200	NOZZLE §230 CH12*14
006		533015000	NOZZLE D.I 260 G110 (TOWN GAS)
006		533055400	NOZZLE §245 CH12*14
007		541100900	INNER DOOR 73
007		531007600	DOOR HINGE
007		536000200	D.12 H.4 BUMPER
007		544182500	RIGHT DOOR 73
007		536021100	BLACK HANDLE 70LINE + 2RED POINTS
007		541101000	INNER DOOR 74
007		544185100	RIGHT DOOR 74
007		531000900	MAGNET §22 KG.3 WITH DISK
007		544182400	RIGHT DOOR 73
007		544182100	LEFT DOOR 74
007		544182000	RIGHT DOOR 74
007		544185500	UPPER DOOR HINGE FOR COMPARTME CF70
007		541101300	RIGHT INNER DOOR 74 CF
007		544185400	LOWER DOOR HINGE FOR COMPARTME CF70
008		544389300	
008		531007600	DOOR HINGE
008		544182501	LEFT DOOR 73
008		533035200	
008		533094200	S/S HANDLE FOR 70/90 SERIES
008		536000200	D.12 H.4 BUMPER
008		544389200	
008		544182401	RIGHT DOOR 73
008		544389500	INNER-DOOR OF LHD 74
008		544182101	LEFT DOOR 74
008		544389400	
008		544182001	RIGHT DOOR 74
008		544185500	UPPER DOOR HINGE FOR COMPARTME CF70
008		531000900	MAGNET §22 KG.3 WITH DISK
008		544185201	
008		533107100	
008		544185101	RIGHT DOOR 74 CF
008		544185400	LOWER DOOR HINGE FOR COMPARTME CF70