

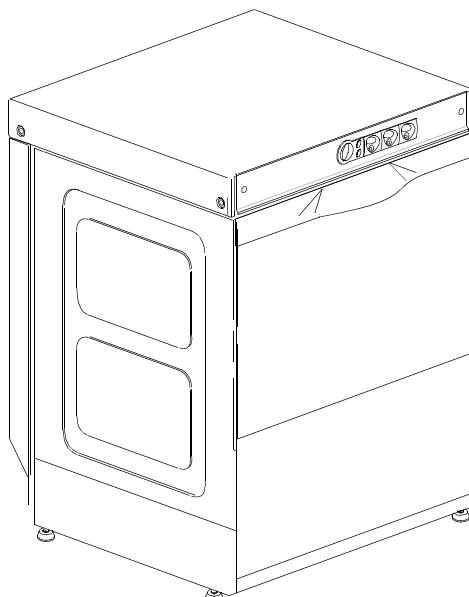
DISHWASHER

ELECTROMECHANICAL SWITCHES
LOWER WASHING
LOWER AND UPPER WASHING

TYPE: 10U

Accessories
BOOSTER PUMP
DVGW
COLD RINSE
WATER SOFTNER
DETERGENT DISPENSER
DRAIN PUMP

Spare parts manual



1. Spare parts

General body parts.....	7
Lockup system	9
Control panel	11
Control electric components.....	13
Solenoid valve group	15
Solenoid valve group	17
Booster pump.....	19
DVGW	21
Water softner group.....	23
Shining product dosing device group .	25
Boiler group	27
3 ways derivation.....	29
4 ways derivation.....	31
Wash pump	33
Wash pump	35
Dosing device group	37

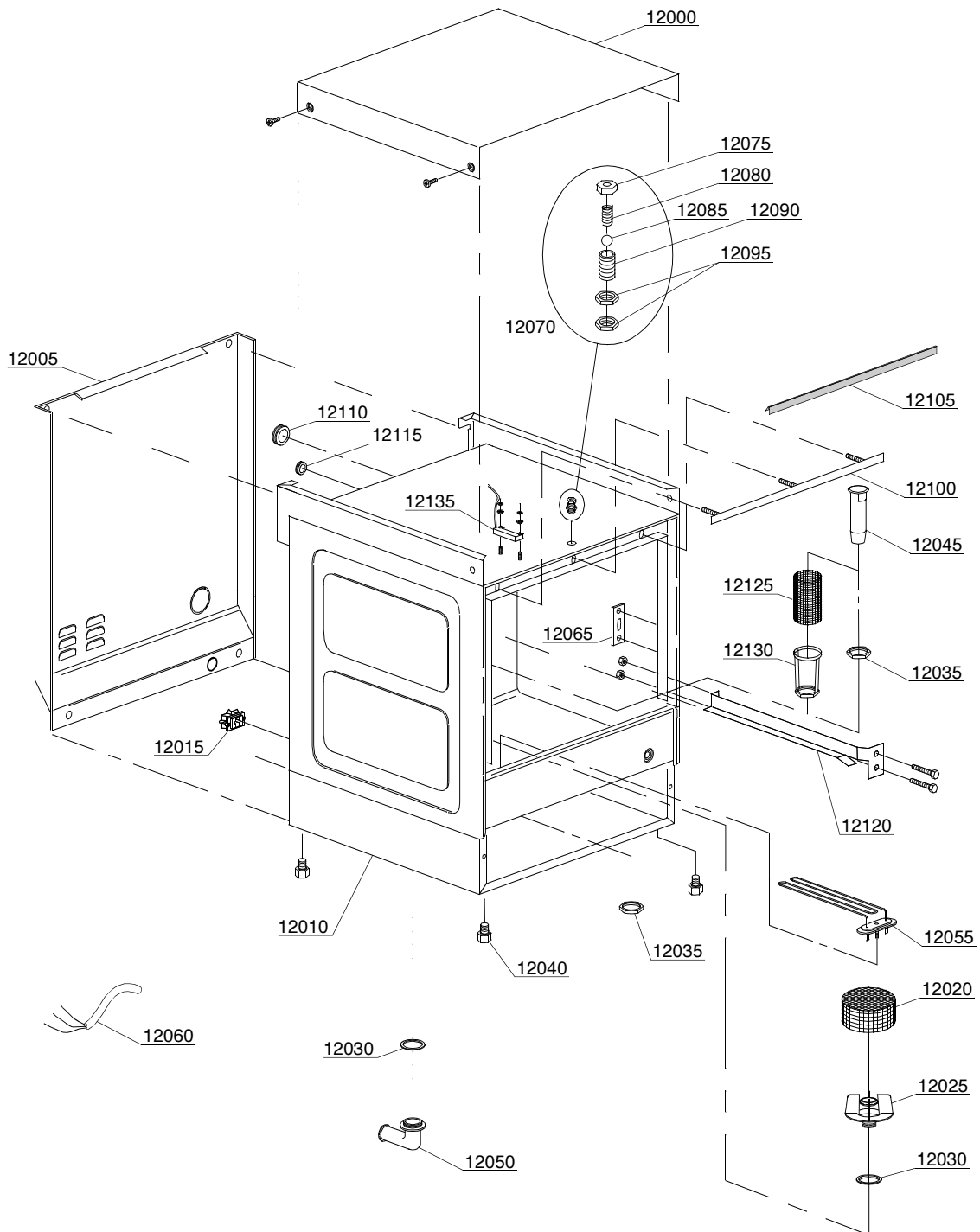
Drain pump group.....	39
Pressure switch group with air trap ...	41
Turret group with rotating arms	43
Turret group with rotating arms	45

1.1 Voltage codes

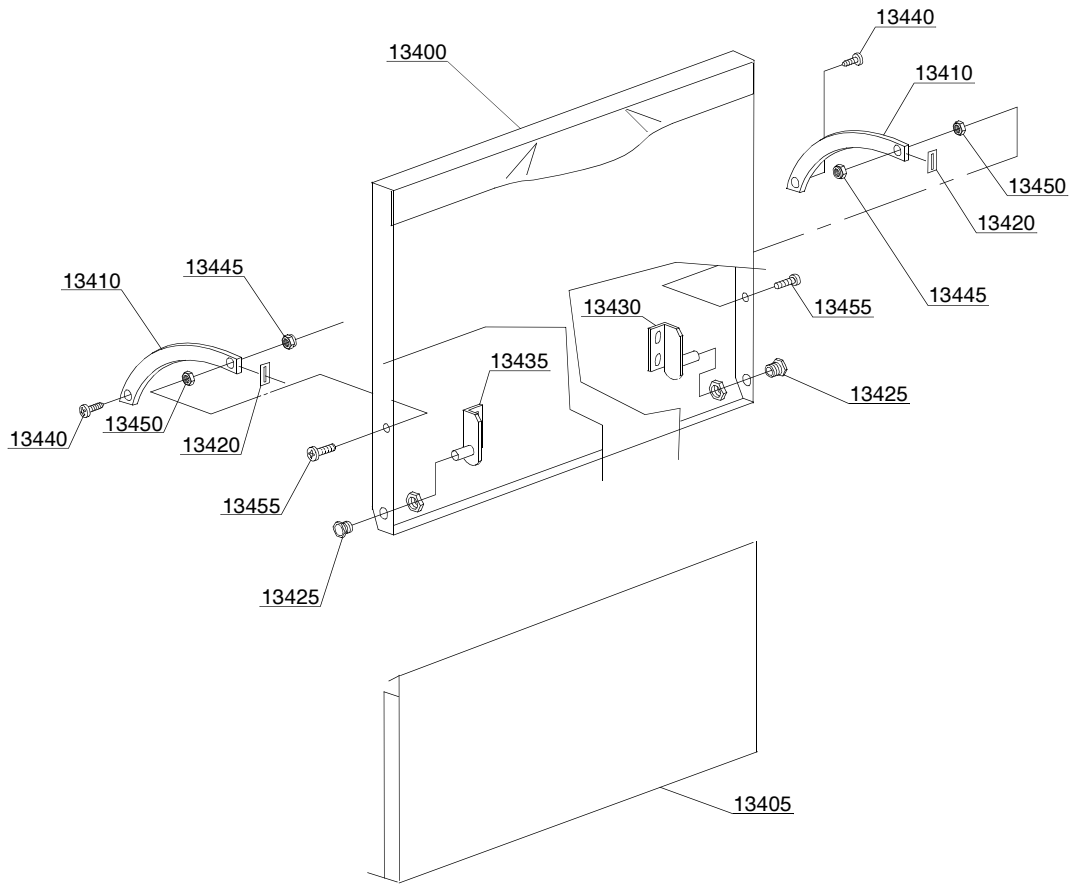
Voltage code	Voltage
A	3/N/PE~400/230V 50Hz
B	~250V 16A 50Hz
C	3/N/PE~380/220V 50Hz
D	3/PE~200V 50-60Hz
F	2/PE 220-240V 50Hz
G	3/N/PE~415/240V 50Hz
H	3/PE~230V 50Hz
I	3/PE~220V 60Hz
J	3/PE~380 50Hz
K	3/PE~400V 50Hz
L	3/PE~415V 50Hz
M	3/PE~440V 60Hz
N	3/PE~460V 60Hz
O	3/PE~480V 60Hz
P	1/N/PE~220-240V 50Hz
R	2/PE~220-230V 60Hz
S	3/N/PE~400/230V 50Hz
T	3/PE~230V 60Hz

1.2 Product codes

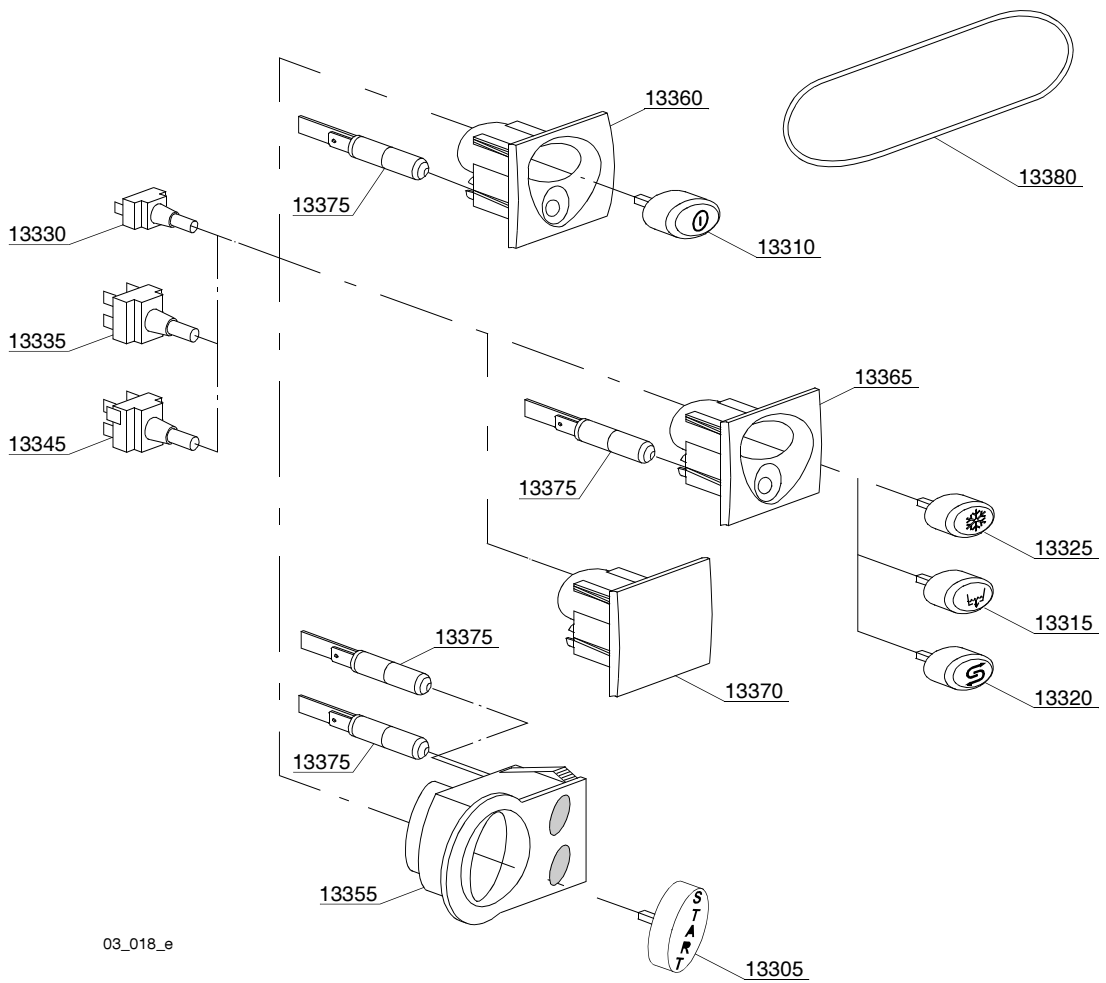
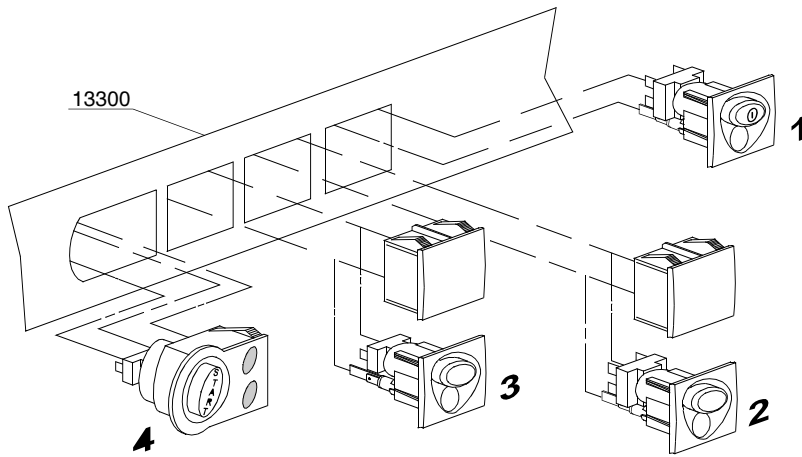
Product code	Full name
Model codes	
em	ELECTROMECHANICAL SWITCHES
cf	LOWER WASHING
ls	LOWER AND UPPER WASHING
Type codes	
10U	10U
Accessory codes	
pap	BOOSTER PUMP
dvgw	DVGW
fs	COLD RINSE
d	WATER SOFTNER
dde	DETERGENT DISPENSER
ps	DRAIN PUMP



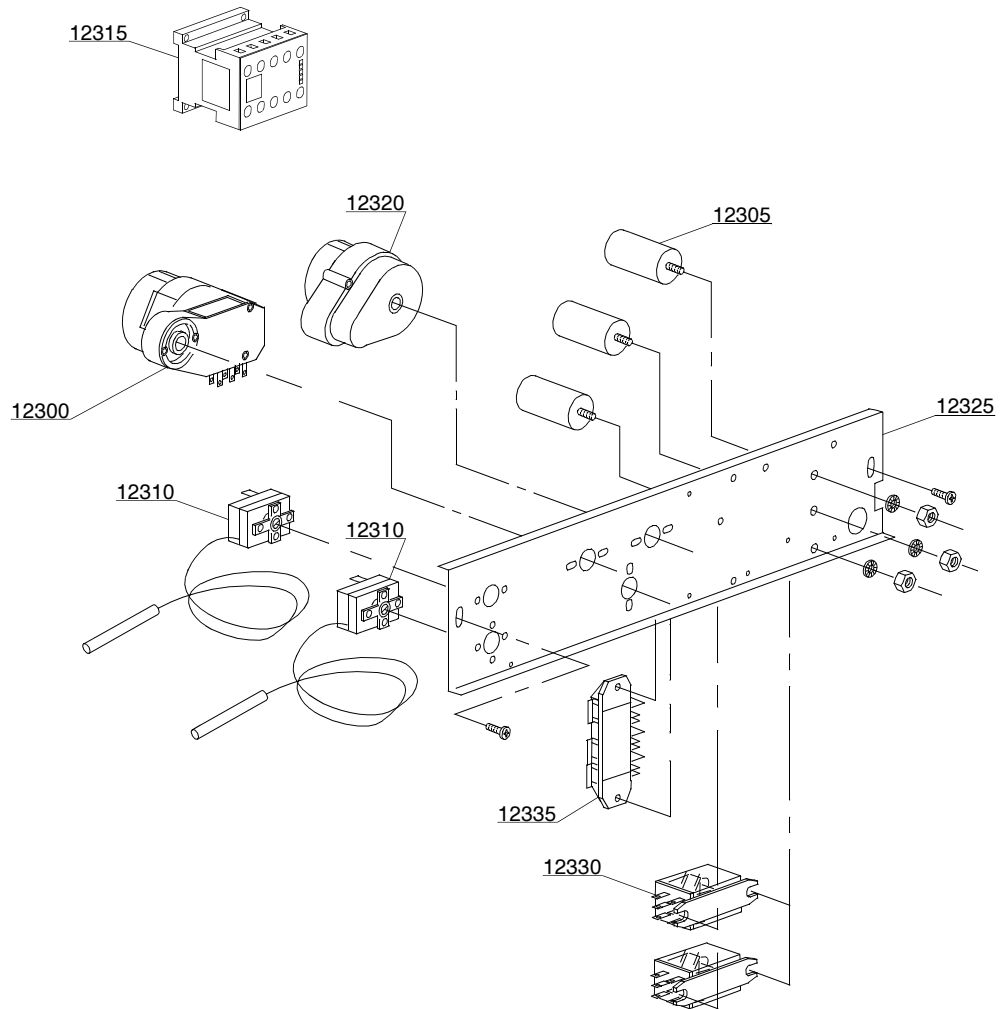
01_014_e



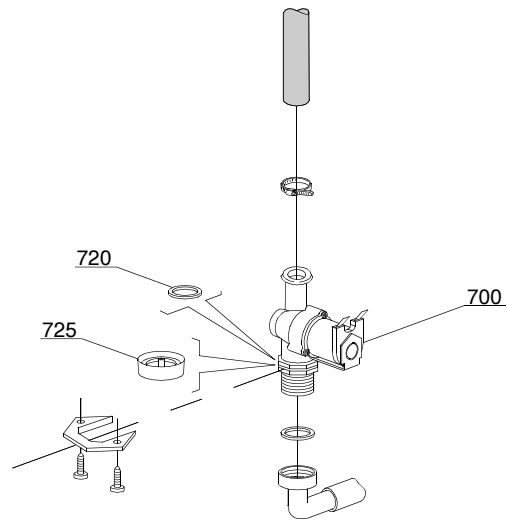
02_112_e



03_018_e



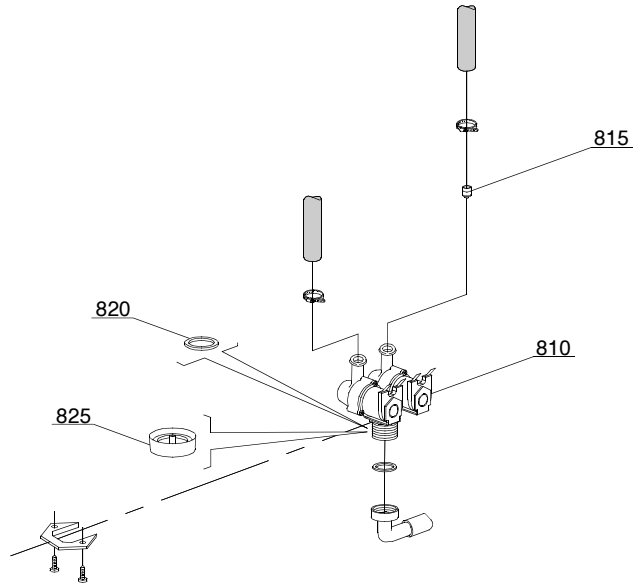
04_012_e



05_002_e

Spare parts

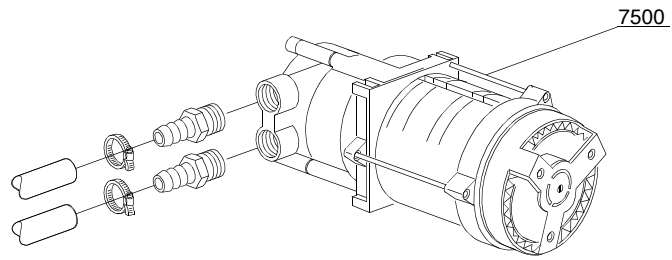
ID	P-code	Model	Type	Accessory	Voltage	Description
MODULE:Solenoid valve group						
700	10703		10U			Single solenoid valve
720	N.C.		10U			Pression reducing valve



05_003_e

Spare parts

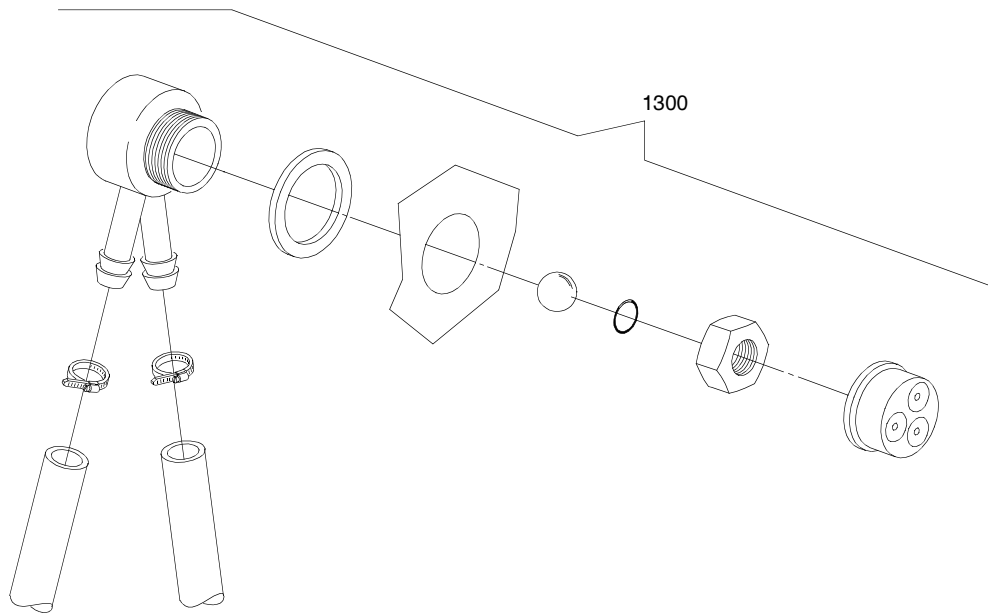
ID	P-code	Model	Type	Accessory	Voltage	Description
MODULE:Solenoid valve group						
810	15098		10U	cr,ws		Double solenoid valve - Ø10
815	15115		10U	cr,ws		Green pression solenoid valve
820	N.C.		10U	cr,ws		Pression reducing valve



07_003_e

Spare parts

ID	P-code	Model	Type	Accessory	Voltage	Description
MODULE:Booster pump						
7500	15100/D		10U	bp		Booster pump

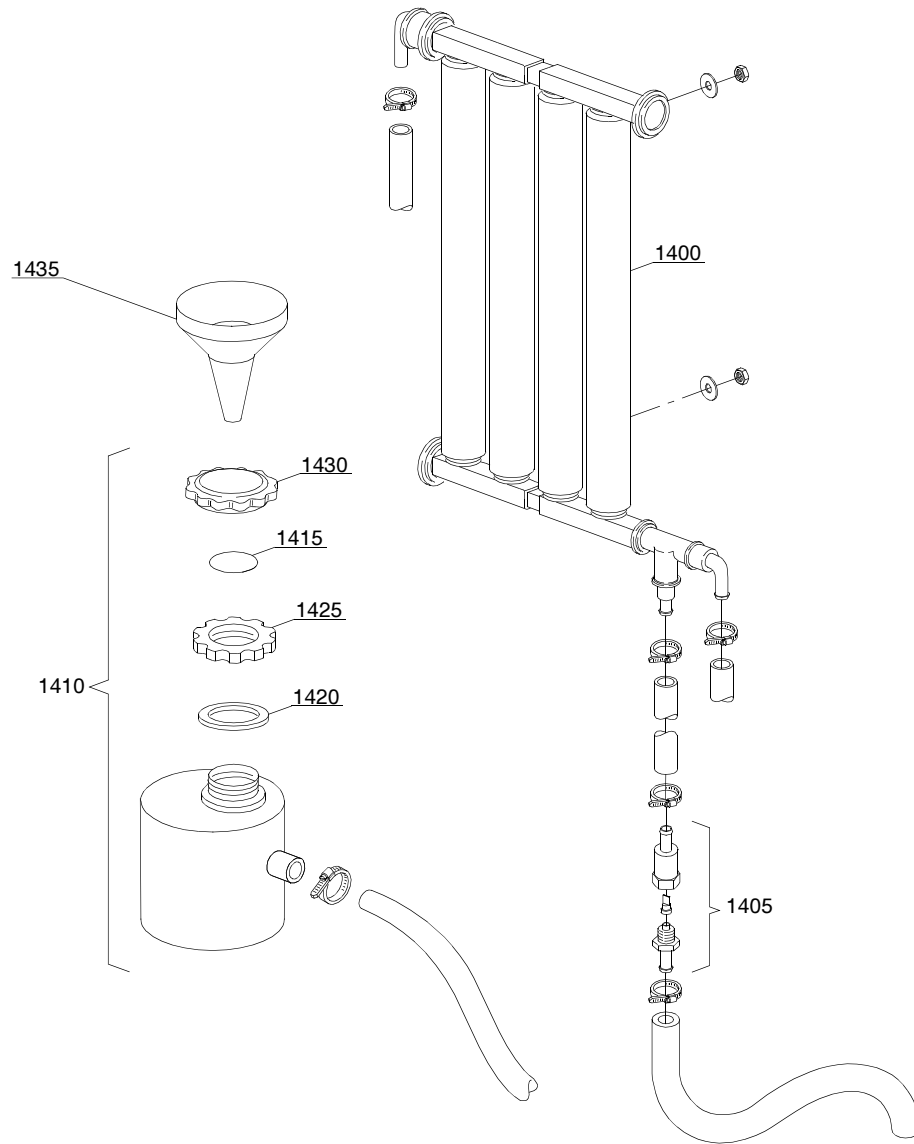


08_005_e

Spare parts

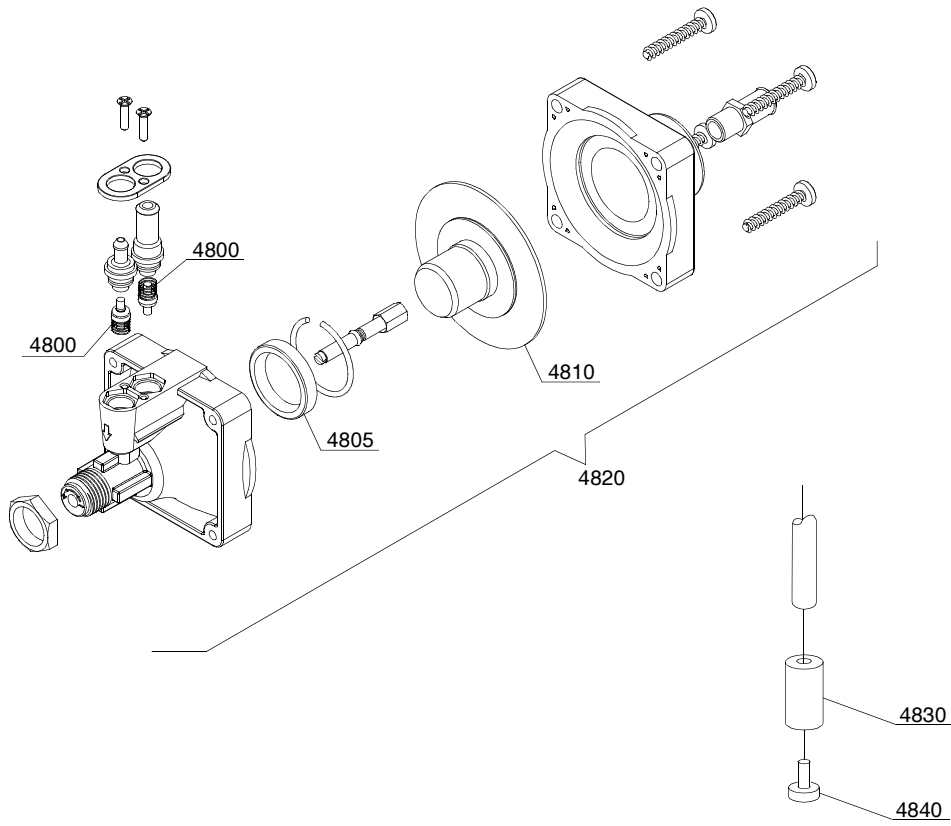
ID	P-code	Model	Type	Accessory	Voltage	Description
MODULE:DVGW						
1300	999900006		10U	dvgw		DVGW assembly

09_001_e



Spare parts

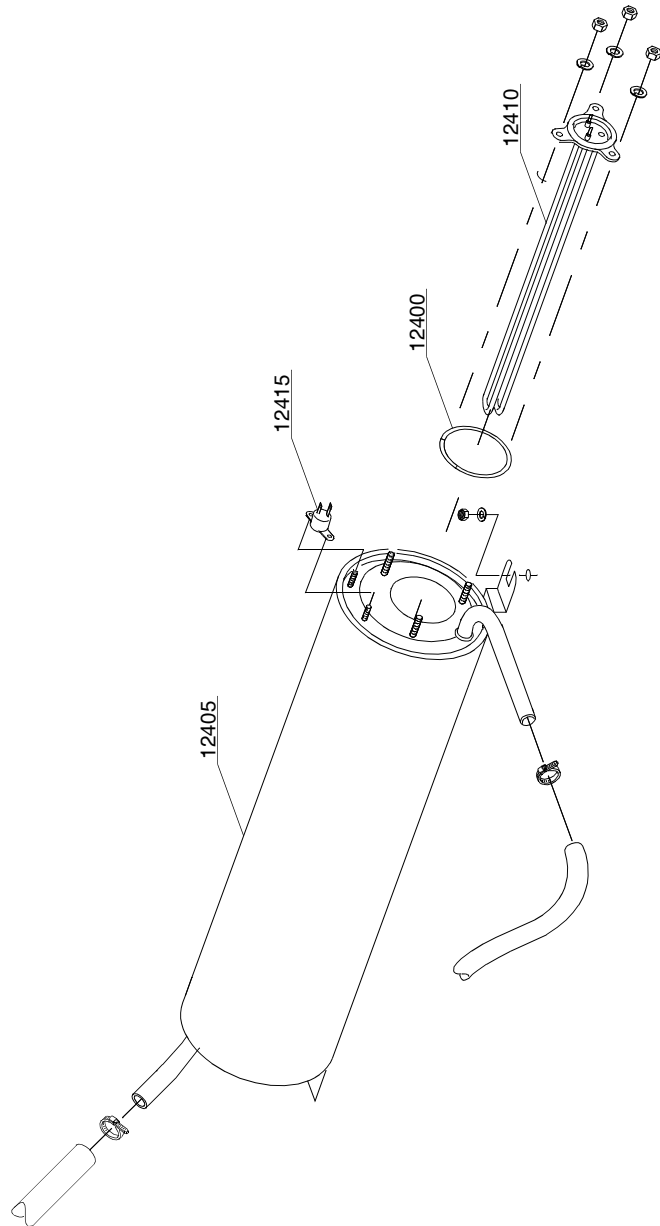
ID	P-code	Model	Type	Accessory	Voltage	Description
MODULE:Water softner group						
1400	16066		10U	ws		4 elements water softner
1405	16070		10U	ws		Nonreturn valve
1410	16065		10U	ws		Salt container
1415	16067/A		10U	ws		OR gasket
1420	16067/B		10U	ws		Gasket
1425	16067/C		10U	ws		Ring nut
1430	16067/D		10U	ws		Plug
1435	16082		10U	ws		Funnel



10_004_e

Spare parts

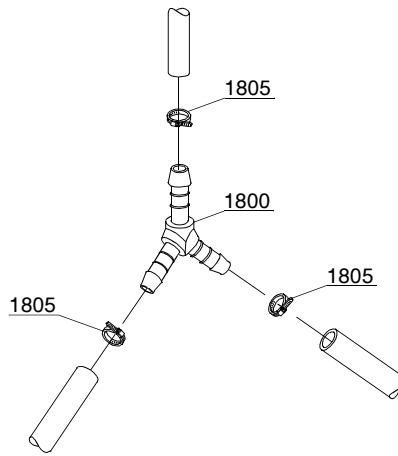
ID	P-code	Model	Type	Accessory	Voltage	Description
MODULE:Shining product dosing device group						
4800	10805		10U			Tecnopro dosing valve
4805	10806		10U			Ø22 gasket
4810	10807		10U			Membrane
4820	10799		10U			Shining product dosing device
4830	12525		10U			Counter-weight
4840	15058		10U			Small filter



11_007_e

Spare parts

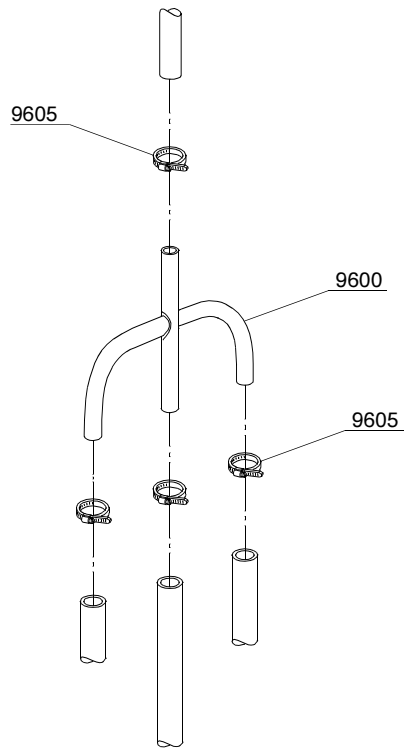
ID	P-code	Model	Type	Accessory	Voltage	Description
MODULE:Boiler group						
12400	13010		10U			OR gasket
12405	140905		10U			Boiler
12410	18206		10U			2,4KW heating element
12410	18206/D		10U			2,8KW heating element
12410	18215		10U			4KW heating element
12415	15550		10U			Safety thermostat



12_003_e

Spare parts

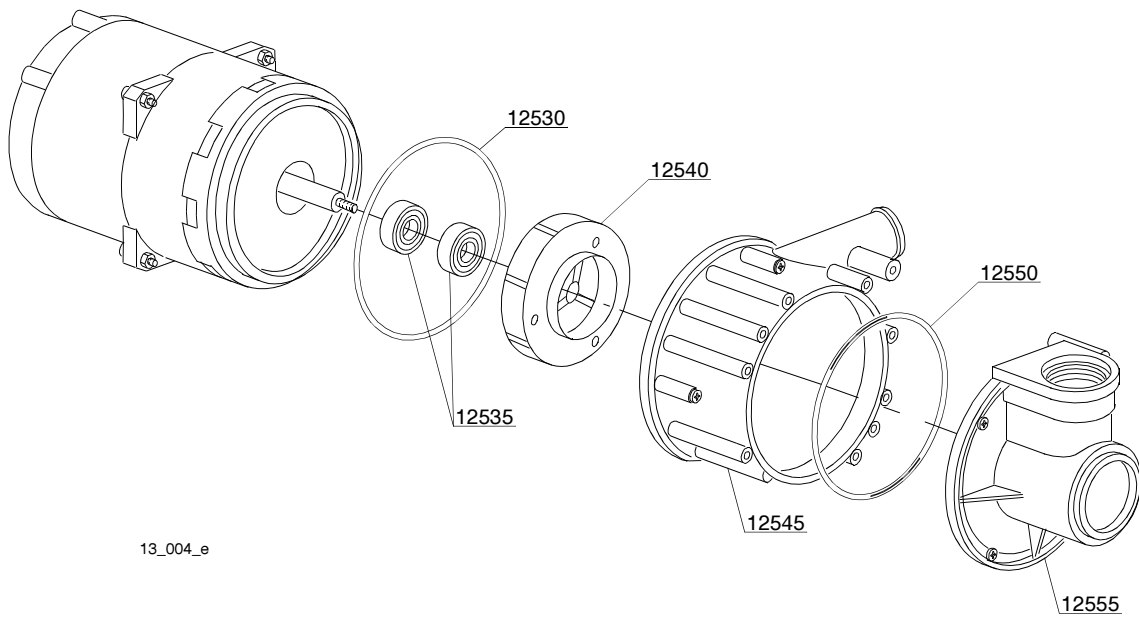
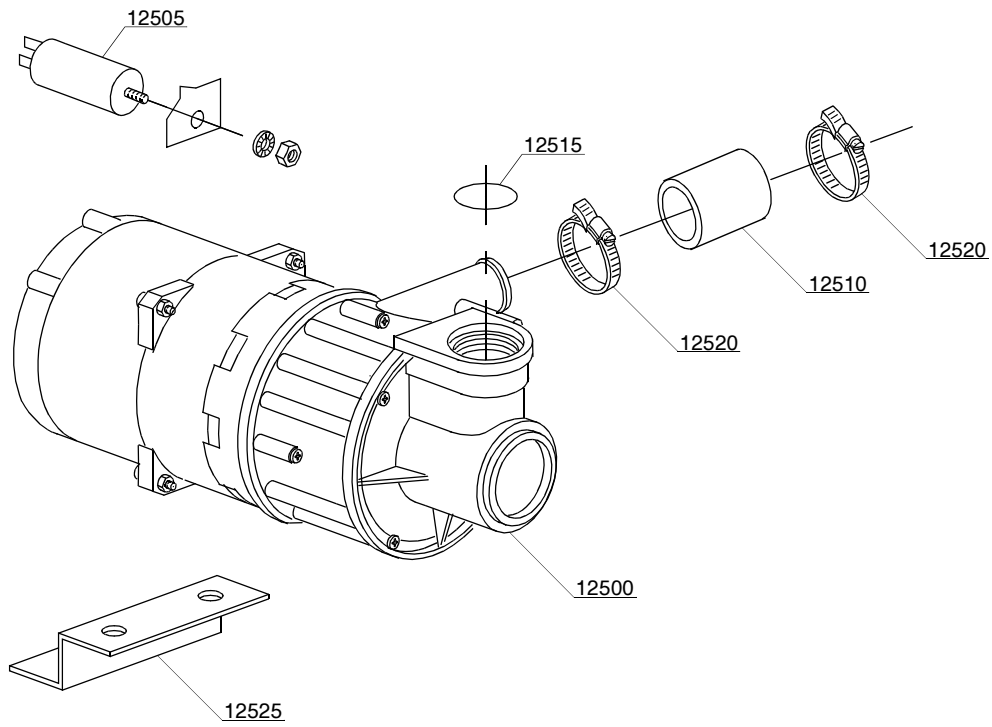
ID	P-code	Model	Type	Accessory	Voltage	Description
MODULE:3 ways derivation						
1800	540090		10U			Ø10 mm plastic 3 ways derivation
1805	11807		10U			12/22 clamp



12_004_e

Spare parts

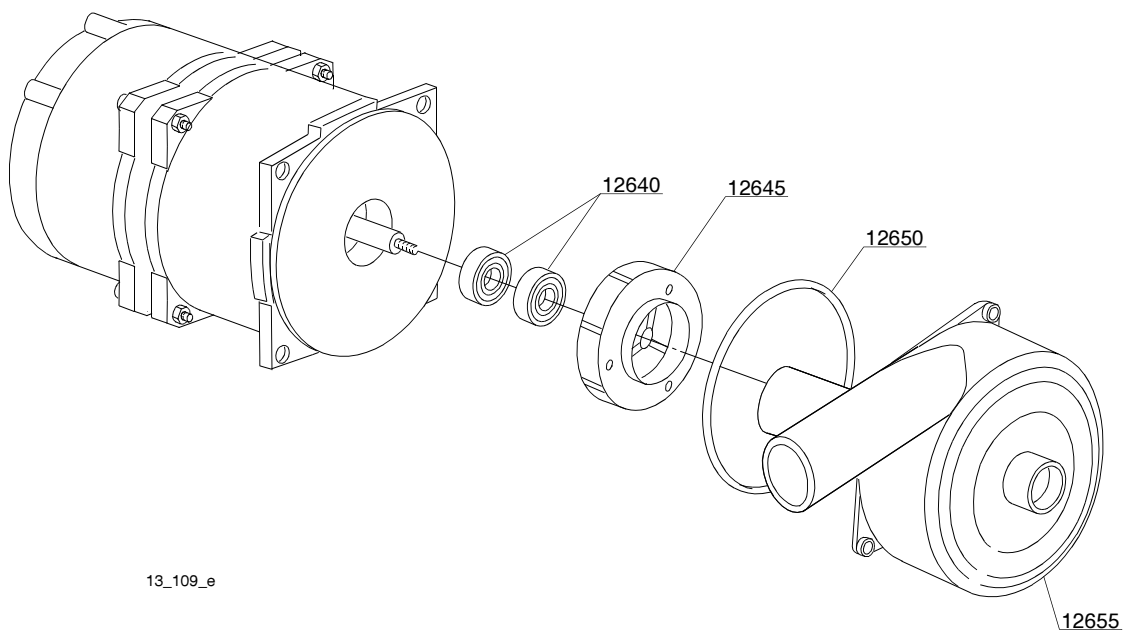
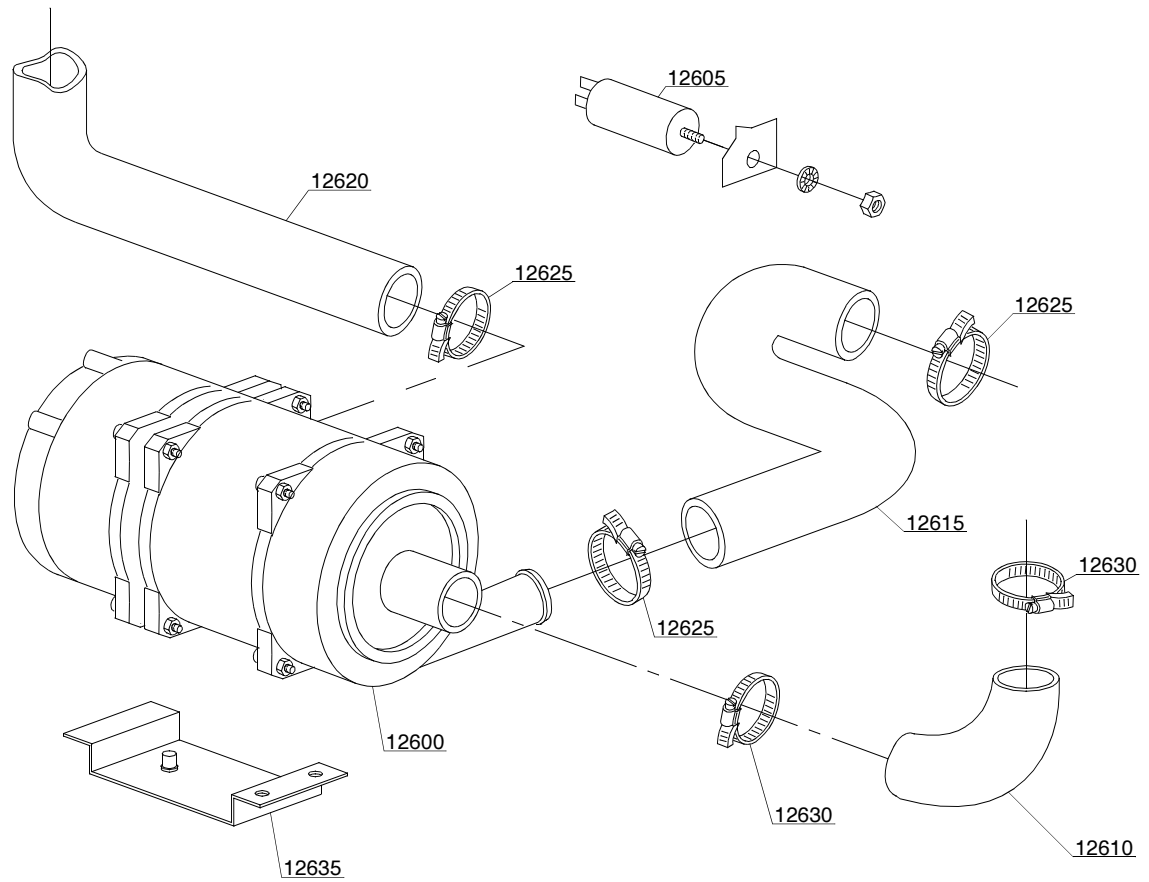
ID	P-code	Model	Type	Accessory	Voltage	Description
MODULE:4 ways derivation						
9600	15151		10U	cr		Ø10 mm 4 ways derivation
9605	11807		10U			12/22 clamp



13_004_e

Spare parts

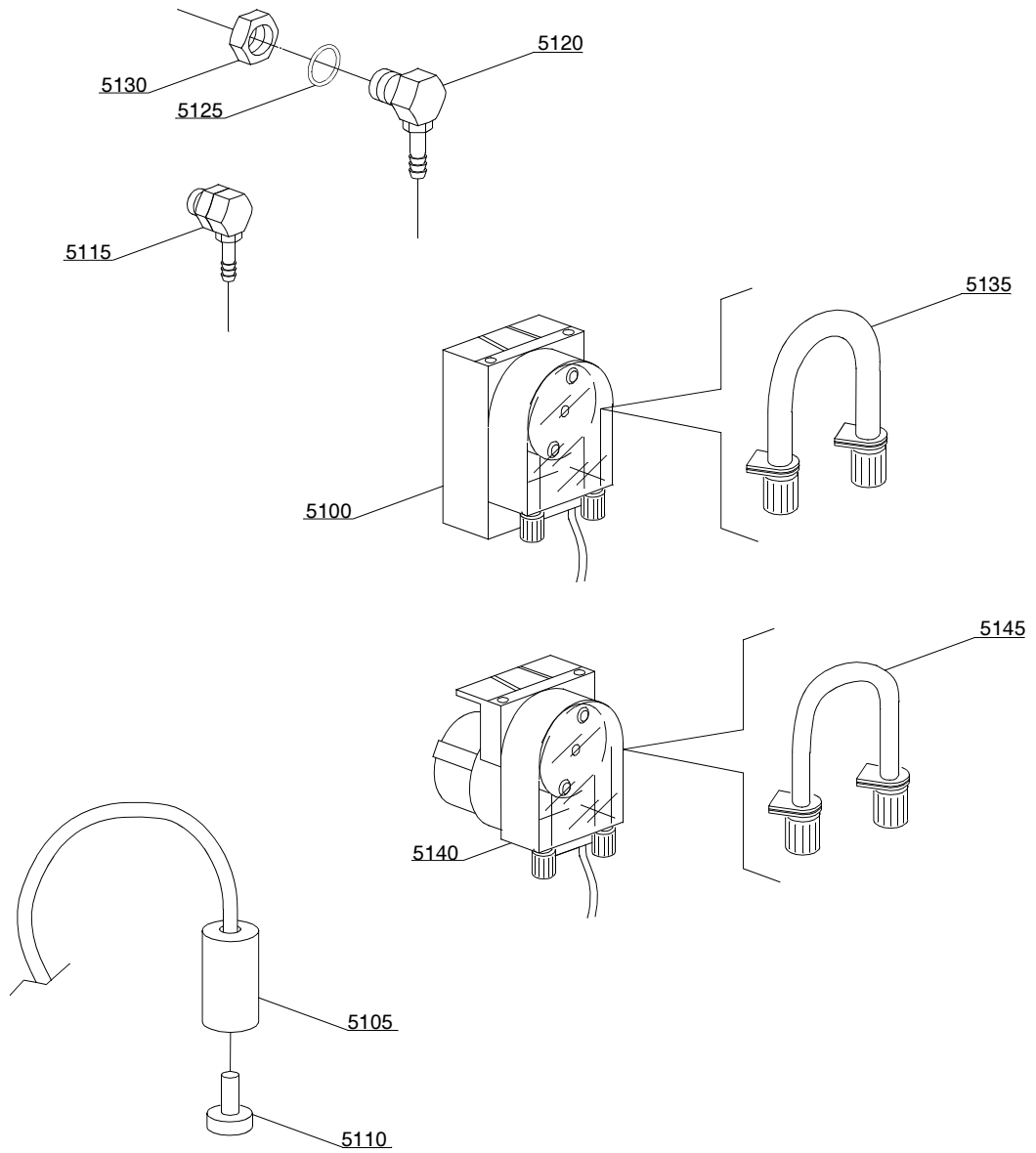
ID	P-code	Model	Type	Accessory	Voltage	Description
MODULE:Wash pump						
12500	135501		10U		A	0,30Hp wash pump
12500	135500		10U		H	0,30Hp 60Hz wash pump
12505	10702		10U			5 uF condenser
12510	10718		10U			Pump pipe coupling
12515	13019		10U			4137 OR 140 NBR gasket
12520	11806		10U			25/40 clamp
12525	440123		10U			Pump support
12530	135502		10U			OR gasket
12535	15080		10U			Rotating seals
12540	135505		10U			Pump rotor
12545	135504		10U			Delivery scroll
12550	135506		10U			OR gasket
12555	135503		10U			Suction scroll



13_109_e

Spare parts

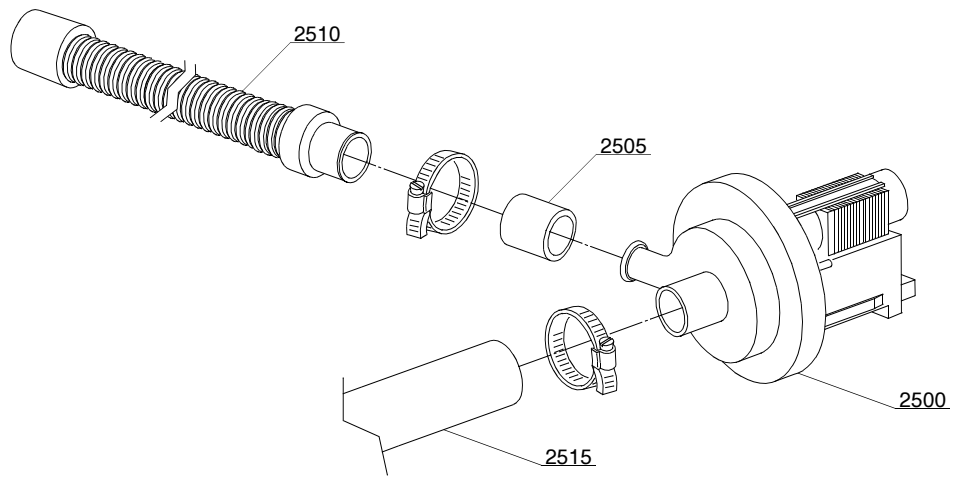
ID	P-code	Model	Type	Accessory	Voltage	Description
MODULE:Wash pump						
12600	18300		10U			0,45Hp wash pump
12600	18242/D		10U			0,30Hp 60Hz wash pump
12605	16043		10U			8 uF condenser
12610	18787		10U			Suction pipe coupling
12615	16168		10U			Lower wash delivery pipe
12620	16167		10U			Wash ramp
12625	11806		10U			25/40 clamp
12630	11809		10U			30/45 clamp
12635	440122		10U			Pump support
12640	15080		10U			Rotating seals
12645	18259		10U			Scroll
12650	18245		10U			OR gasket
12655	18247		10U			Scroll



14_004_e

Spare parts

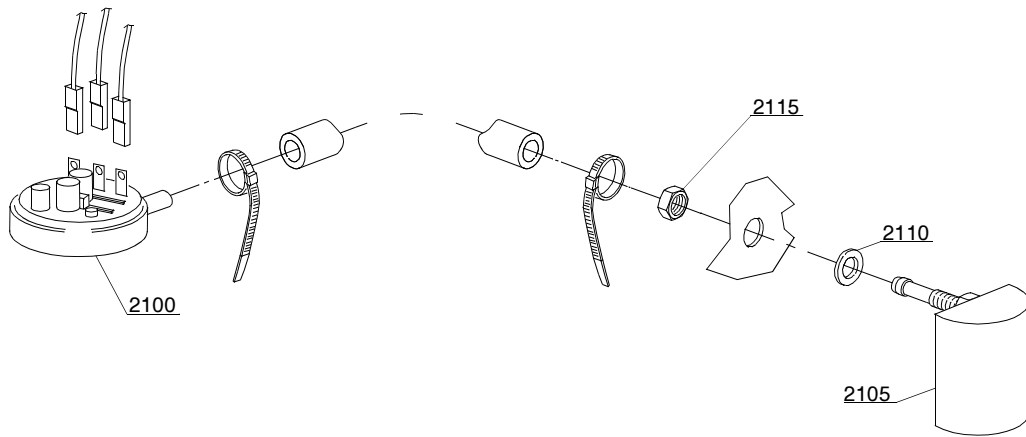
ID	P-code	Model	Type	Accessory	Voltage	Description
MODULE:Dosing device group						
5100	15985		10U	dd		Seko dosing device
5105	12525		10U	dd		Counter-weight
5110	15058		10U	dd		Small filter
5115	15123		10U	dd		Complet plastic injector
5120	15148		10U	dd		Steel injector
5125	15159		10U	dd		OR gasket
5130	10200205		10U	dd		M12x1 stainless steel nut
5135	15185		10U	dd		Seko thermoplastic pipe
5140	15985		10U	dd		Germac dosing device
5145	15108/E		10U	dd		Germac thermoplastic pipe



15_004_e

Spare parts

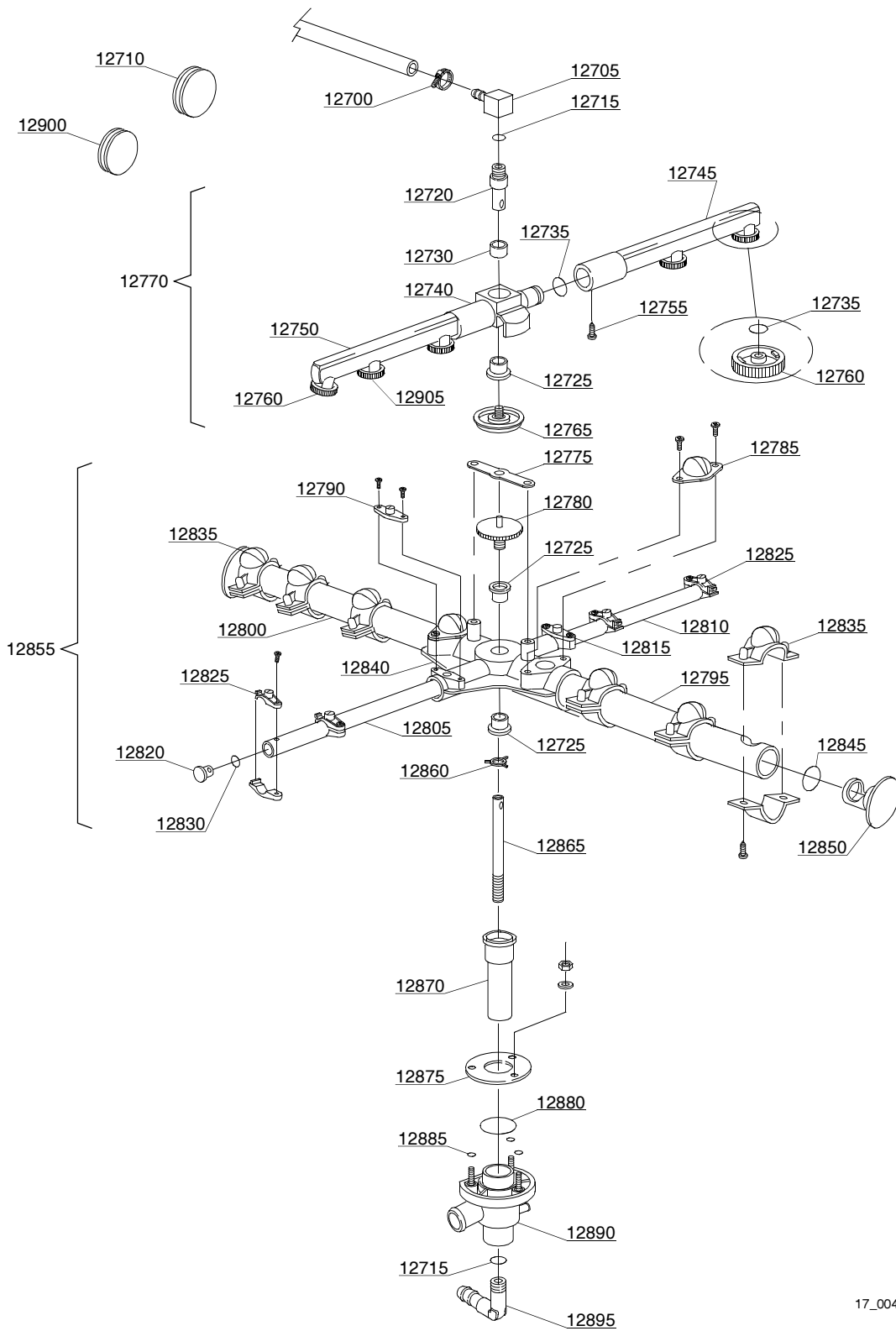
ID	P-code	Model	Type	Accessory	Voltage	Description
MODULE:Drain pump group						
2500	15101		10U	dp		Drain pump
2505	15101/D		10U	dp		Pipe fitting
2510	10727		10U	dp		Drain pipe
2515	18044		10U	dp		Ø28 top wash pipe



16_001_e

Spare parts

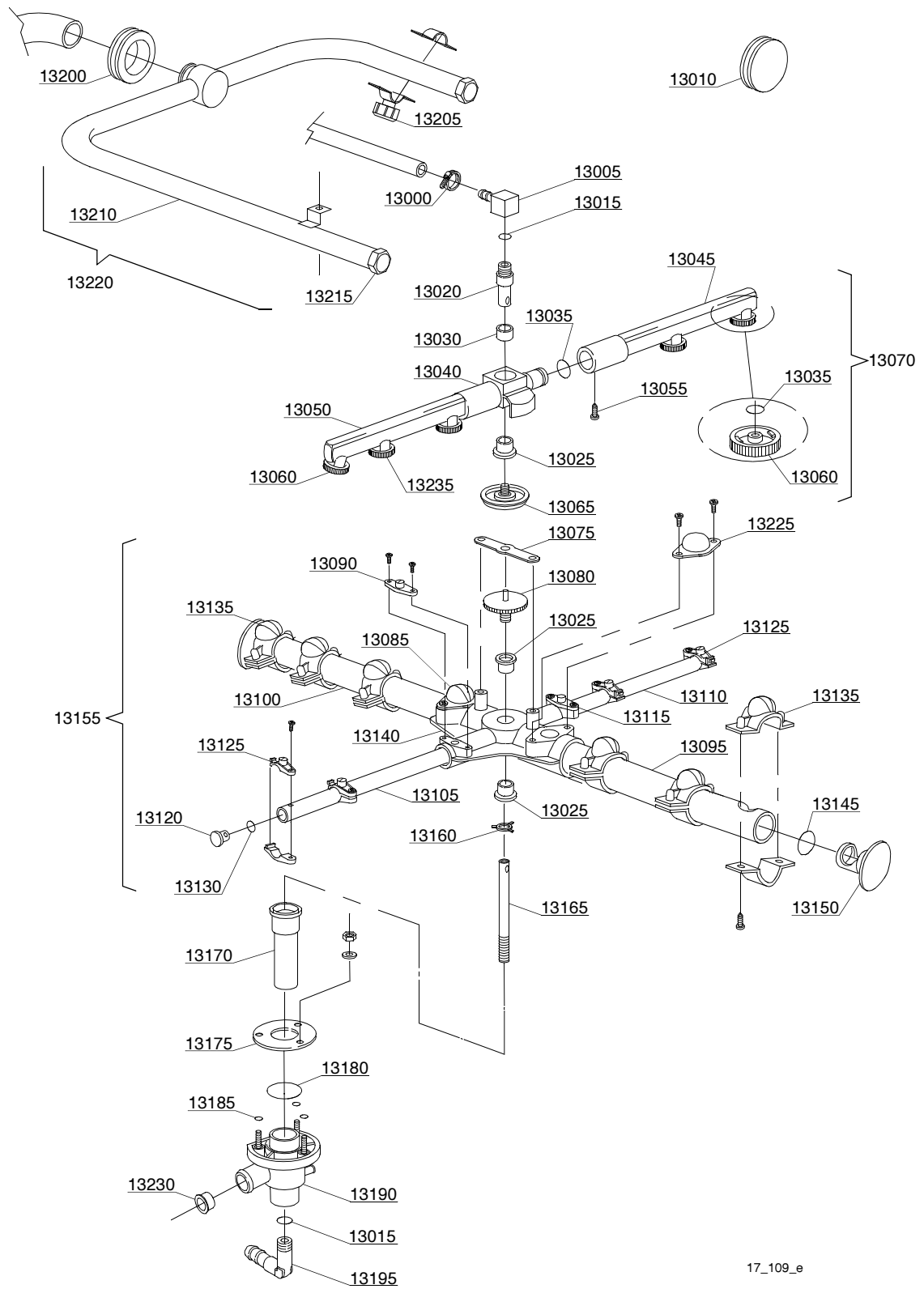
ID	P-code	Model	Type	Accessory	Voltage	Description
MODULE:Pressure switch group with air trap						
2100	10706/A		10U			47-27 pressure switch
2105	10911/B		10U			Air trap assembly
2110	13301		10U			Gasket
2115	11702		10U			M8 stainless steel nut



17_004_e

Spare parts

ID	P-code	Model	Type	Accessory	Voltage	Description
MODULE:Turret group with rotating arms						
12700	11807		10U			12/22 clamp
12705	350402		10U			Top turret rinse hub
12710	13316		10U			43x10 blind gasket
12715	13003		10U			OR 112 NBR gasket
12720	350401		10U			Lower axle rinse hub
12725	13319		10U			Sliding washer
12730	13320		10U			Sliding washer
12735	13002		10U			OR R6 NBR gasket
12740	10359		10U			Rinse rotor
12745	10360		10U			Right rinse pipe
12750	10361		10U			Left rinse pipe
12755	11004		10U			4x10 TCB Ø8 spax toothed screw
12760	12537		10U			Opened head rinse nozzle
12765	10365		10U			Handle with insert
12770	10996		10U			Top rinse group
12775	10210		10U			Blocking ring nut rotor plaque
12780	11101/A		10U			Stainless steel group fixing screw
12785	10212		10U			Ø18 opened plane nozzle
12790	10213		10U			Ø10 opened plane nozzle
12795	16501		10U			Right wash pipe
12800	16502		10U			Left wash pipe
12805	16503		10U			Right rinse pipe
12810	16504		10U			Left rinse pipe
12815	10217		10U			Ø10 closed plane nozzle
12820	12532		10U			Ø10 plastic plug
12825	12528		10U			Ø10 complet rinse nozzle
12830	13016		10U			2018 OR 103 NBR gasket
12835	10746		10U			Nozzle with horizontal fissure
12840	10208		10U			4 ways small rotor
12845	13009		10U			OR 2050 NBR gasket
12850	10256		10U			Ø18 plastic plug
12855	16950		10U			Lower wash/rinse group
12860	10203		10U			Guide pipe
12865	16039		10U			Ø10x1,5x185 steel ground shaft
12870	16250		10U			Bell-shape assembly with pipe coupling
12875	16038		10U			Ø60 stainless steel disk
12880	13000		10U			OR 3125 NBR gasket
12885	13001		10U			OR 104 NBR gasket
12890	10205/A		10U			Lower wash turret with hole
12895	12030		10U			3/8M Ø12 elbow pipe fitting
12900	13316/A		10U			DVGW hole gasket
12905	12538		10U			Closed head rinse nozzle



17_109_e

Spare parts

ID	P-code	Model	Type	Accessory	Voltage	Description
MODULE:Turret group with rotating arms						
13000	11807		10U			12/22 clamp
13005	350402		10U			Top turret rinse hub
13010	13316/A		10U			DVGW hole gasket
13015	13003		10U			OR 112 NBR gasket
13020	350401		10U			Lower axle rinse hub
13025	13319		10U			Sliding washer
13030	13320		10U			Sliding washer
13035	13002		10U			OR R6 NBR gasket
13040	10359		10U			Rinse rotor
13045	10360		10U			Right rinse pipe
13050	10361		10U			Left rinse pipe
13055	11004		10U			4x10 TCB Ø8 spax toothed screw
13060	12537		10U			Opened head rinse nozzle
13065	10365		10U			Handle with insert
13070	10996		10U			Top rinse group
13075	10210		10U			Blocking ring nut rotor plaque
13080	11101/I		10U			Stainless steel group fixing screw
13085	10212		10U			Ø18 opened plane nozzle
13090	10213		10U			Ø10 opened plane nozzle
13095	400601		10U			Right wash pipe
13100	400602		10U			Left wash pipe
13105	400603		10U			Right rinse pipe
13110	400604		10U			Left rinse pipe
13115	10217		10U			Ø10 closed plane nozzle
13120	12532		10U			Ø10 plastic plug
13125	12528		10U			Ø10 complet rinse nozzle
13130	13016		10U			2018 OR 103 NBR gasket
13135	10746/A		10U			Nozzle with horizontal fissure
13140	10208		10U			4 ways small rotor
13145	13009		10U			OR 2050 NBR gasket
13150	10256		10U			Ø18 plastic plug
13155	400909		10U			Wash/rinse group
13160	10203		10U			Guide pipe
13165	16039		10U			Ø10x1,5x185 steel ground shaft
13170	16250		10U			Bell-shape assembly with pipe coupling
13175	16038		10U			Ø60 stainless steel disk
13180	13000		10U			OR 3125 NBR gasket
13185	13001		10U			OR 104 NBR gasket
13190	10205/A		10U			Lower wash turret with hole
13195	12030		10U			3/8M Ø12 elbow pipe fitting
13200	13306/A		10U			Top wash ramp gasket
13205	18135		10U			Wash nozzle
13210	16161		10U			Top wash pipe
13215	12503		10U			Plug

Spare parts

ID	P-code	Model	Type	Accessory	Voltage	Description
13220	16920		10U			Top wash group
13225	10216		10U			Ø10 closed plane nozzle
13230	18249		10U			Flux reducer
13235	12538		10U			Closed head rinse nozzle