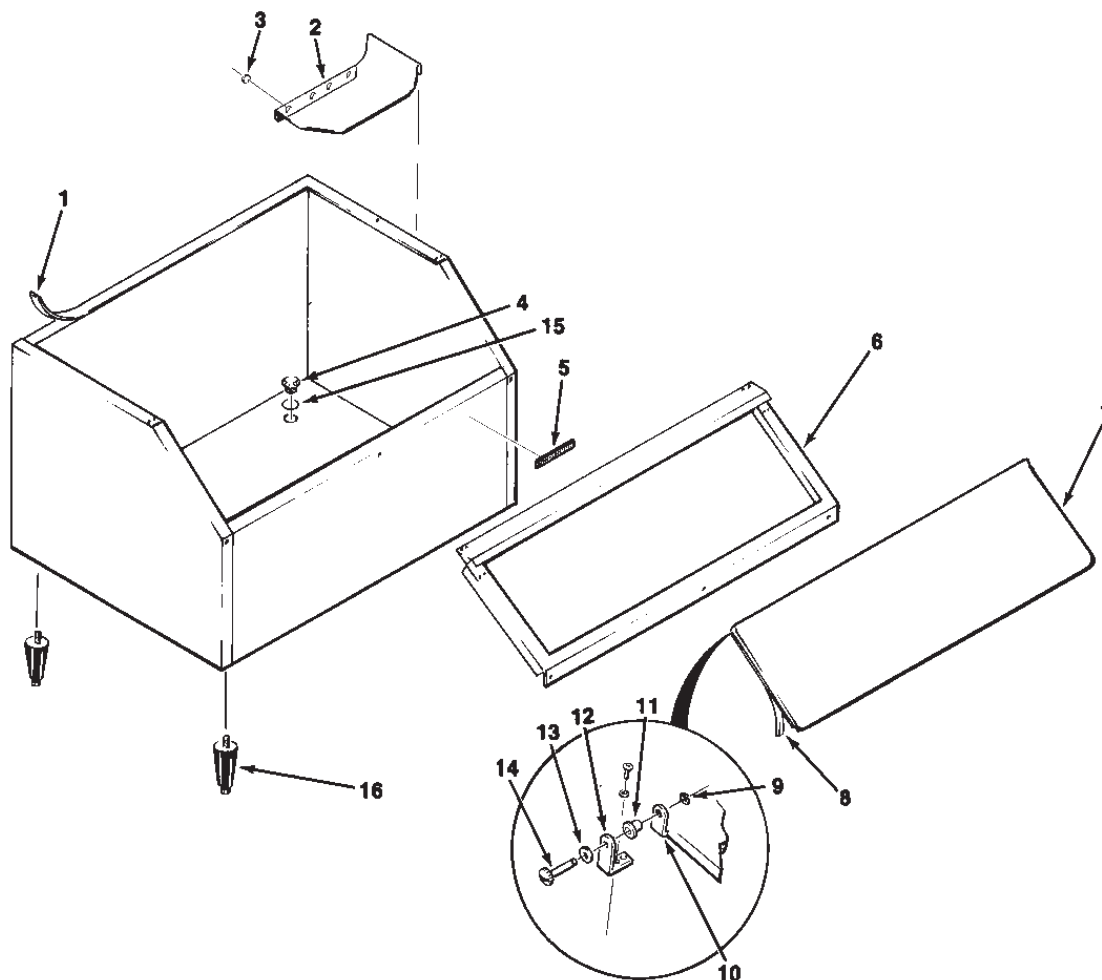


Bins, Condensers, and Accessories Service Parts

B40 & B60



| Item Number | Part Number | Description |
|-------------|-------------|------------------------|
| 1 | 19-0503-04 | Gasket |
| 2 | A26449-001 | Deflector |
| 3 | 13-0115-00 | Grommet |
| 4 | 02-2809-01 | Drain top |
| 5 | 15-0711-01 | Emblem |
| 6 | A25852-020 | Frame |
| 7 | A25854-020 | Door - includes gasket |
| 8 | 13-0595-00 | Gasket (needs 5') |
| 9 | 03-1539-09 | E-ring |
| 10 | A25258-001 | Hinge |
| 11 | 02-2380-01 | Spacer |
| 12 | A25259-001 | Hinge |
| 13 | 02-2380-02 | Spacer |
| 14 | 02-2806-01 | Shoulder screw |
| 15 | 13-0617-11 | O-ring |
| 16 | KLP2E | Legs, black |
| | KLP2S | Legs, nickel plated |