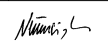

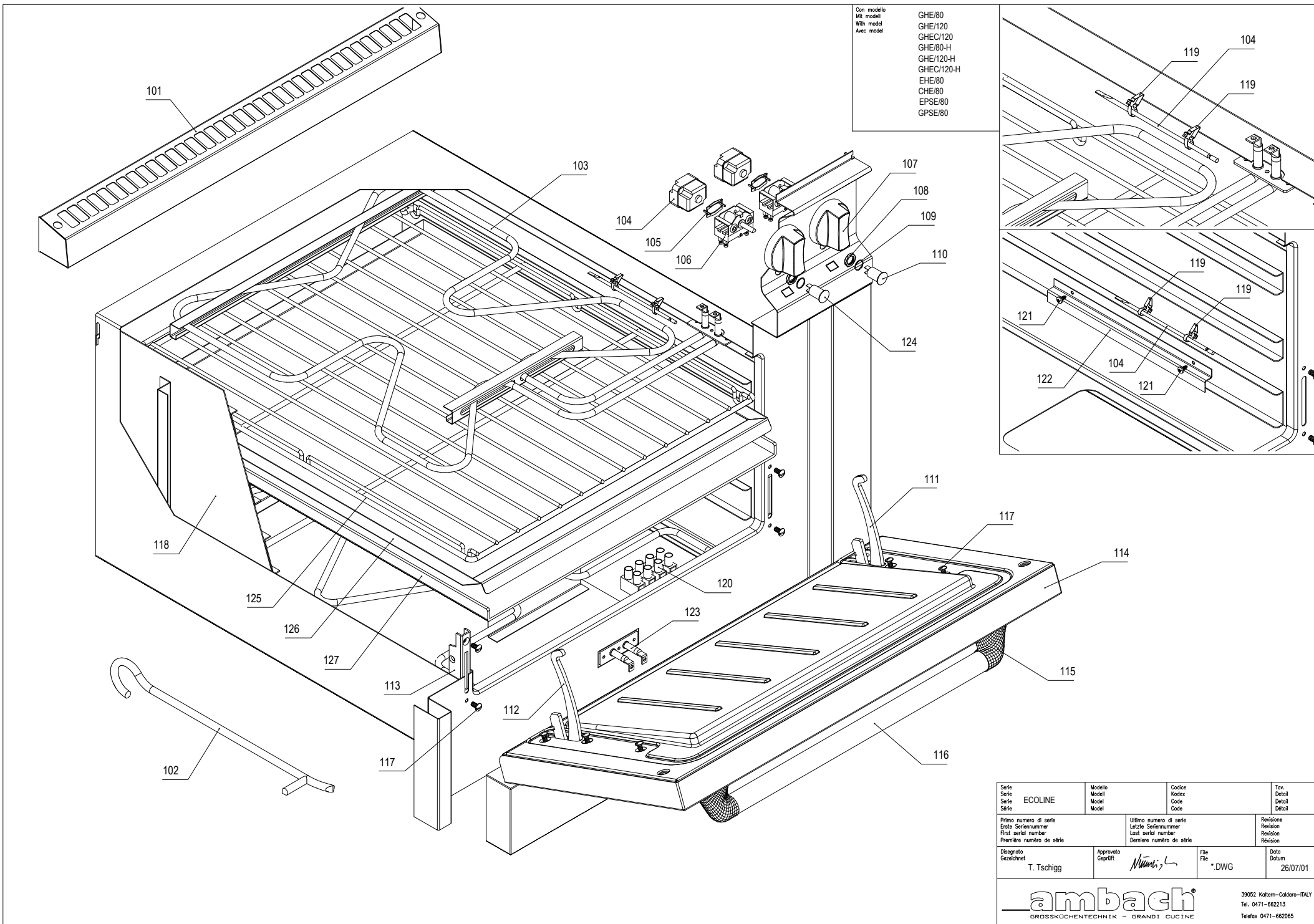
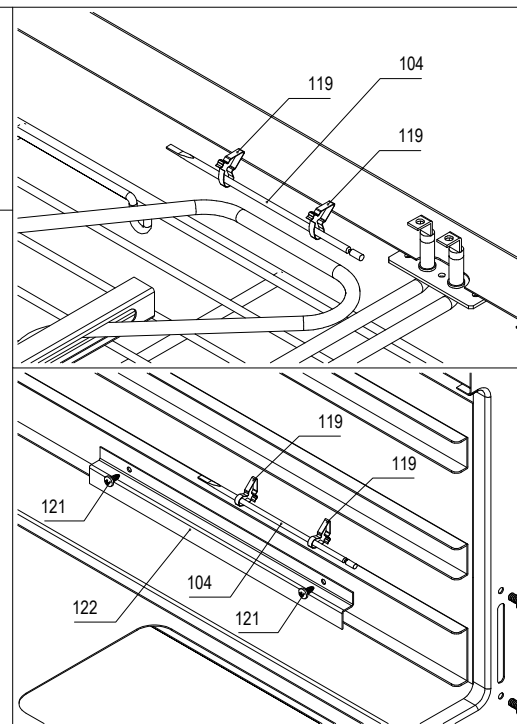


|  |            |   |   |   |            |  |          |
|--|------------|---|---|---|------------|--|----------|
| Serie<br>Série<br>Serie<br>Série   | ECOLINE    | Modello<br>Model<br>Model<br>Model  | CH/80   | Codice<br>Kodex<br>Code<br>Code               | 0103315322 | Tav.<br>Detail<br>Detail<br>Détail                                     |          |
| Primo numero di serie<br>Erste Seriennummer<br>First serial number<br>Première numéro de série |            | Ultimo numero di serie<br>Letzte Seriennummer<br>Last serial number<br>Dernière numéro de série |   | Revisione<br>Revision<br>Revision<br>Révision |            |  |          |
| Disegnato<br>Gezeichnet  | T. Tschigg | Approvato<br>Geprüft  |  | File<br>File                                  | CH80.DWG   | Data<br>Datum  | 10/10/00 |
|           |            |   |   |   |            | 39052 Kallern-Caldaro-ITALY<br>Tel. 0471-662213<br>Telefax 0471-662065 |          |



Con modello  
Mit Modell  
With model  
Avec model

GHE/80  
GHE/120  
GHEC/120  
GHE/80-H  
GHE/120-H  
GHEC/120-H  
EHE/80  
CHE/80  
EPSE/80  
GPSE/80



|  |   |   |  |
|--|---|---|--|
| Serie<br>Serie<br>Série<br>Série   | Modello<br>Modell<br>Model<br>Model   | Codice<br>Kodex<br>Code<br>Code               | Tav.<br>Detail<br>Detail<br>Détail                                     |
| ECOLINE  |   |   |  |
| Primo numero di serie<br>Erste Seriennummer<br>First serial number<br>Première numéro de série | Ultimo numero di serie<br>Letzte Seriennummer<br>Last serial number<br>Dernière numéro de série | Revisione<br>Revision<br>Revision<br>Révision |  |
| Disegnato<br>Gezeichnet  | Approvato<br>Geprüft  | File<br>File                                  | Data<br>Datum  |
| T. Tschigg   |   | *.DWG   | 26/07/01   |
| <br>GROSSKÜCHENTECHNIK - GRANDI CUCINE   |   |   | 39052 Kallern-Caldaro-ITALY<br>Tel. 0471-662213<br>Telefax 0471-662065 |

0103315323 Model: CHE/80

**Elektro Glaskeramikherd - Elektro Backofen**  
**Electric glass ceramic range - electric oven**

**Cucina in vitroceramica elettrica - forno elettrico**  
**Cuisinière vitrocéramique électrique - four électrique**

|     | Code       | Beschreibung                 | Descrizione                   | Description                   | Désignation                    |               | St/Qty | Start | Finish | Serialnr. |
|-----|------------|------------------------------|-------------------------------|-------------------------------|--------------------------------|---------------|--------|-------|--------|-----------|
| 1   | 3519017303 | Glaskeramikplatte + Einfass. | Piastra vitroceramica + piano | Glass ceramic plate + surface | Plaque vitrocéramique + plan   | IHE/CH/80     | 1      |       |        |           |
| 2   | 3507814858 | Kamin Lang                   | Camino corto                  | Chimney short                 | Cheminée court                 | ECO/80        | 1      |       |        |           |
| 3   | 3560510392 | Anschlußklemme 5P            | Morsettiera 5P                | Connection terminal 5P        | Borne de raccordement 5P       | PA/220 Sez16  | 1      |       |        |           |
| 4   | 3560510390 | Anschlußklemme 3P            | Morsettiera 3P                | Connection terminal 3P        | Borne de raccordement 3P       | PA220 Sez-16  | 2      |       |        |           |
| 5   | 5022908120 | Schaltknopf Elektro          | Manopola elettrica            | Electric knob                 | Commutateur électrique         | 0-8-1         | 4      |       |        |           |
| 6   | 5017309716 | Silikondichtring             | Guarnizione anello silicone   | Silicon sealing ring          | Bague d'étanchéité en silicone | D=18/16x0,5   | 5      |       |        |           |
| 7   | 5040209715 | Befestigungsscheibe          | Rondella fissaggio            | Fastening washer              | Rondelle de fixation           | D=26 Di=15    | 5      |       |        |           |
| 8   | 5061111708 | Signalleuchte weiß           | Lampada spia verde            | Green control lamp            | Voyant lumineux verte          | SGF 230V      | 1      |       |        |           |
| 9   | 5061111704 | Signalleuchte rot            | Lampada spia bianca           | White control lamp            | Voyant lumineux blanc          | SGF 230V      | 4      |       |        |           |
| 10  | 5060810556 | Strahlheizkörper RC          | Piastra ad irraggiamento RC   | Radiant heating resistance RC | Résistance radiante RC         | 4000W 400V    | 4      |       |        |           |
| 11  | 5004708809 | Feder Zündbrenner            | Molla bruciatore pilota       | Burner pilot spring           | Ressort brûleur de veilleuse   | GR/75         | 16     |       |        |           |
| 12  | 5006310565 | Halter Feder                 | Supporto molla                | Spring holder                 | Support de ressort             | RC/80         | 16     |       |        |           |
| 13  | 3515414667 | Wanne Heizung                | Vasca resistenza              | Heating element basin         | Cuve à résistance              | CH/80         | 1      |       |        |           |
| 14  | 5061610558 | Thermostat für Keramikglas   | Termostato per vitroceramica  | Thermostat for glass ceramic  | Thermostat pour vitrocéramique | RC            | 4      |       |        |           |
| 15  | 5040310815 | Mutter 6kt                   | Dado esagonale                | Hexagon nut                   | Ecrou hexagonal                | M6 Inox 18/8  | 12     |       |        |           |
| 16  | 3006313980 | Halter Wanne                 | Supporto vasca                | Basin holder                  | Support de cuve                | CH/80         | 2      |       |        |           |
| 101 | 3507814858 | Kamin                        | Camino lungo                  | Chimney long                  | Cheminée long                  | ECO/80        | 1      |       |        |           |
| 102 | 5006311050 | Schwenkhaken                 | Gancio resistenza             | Swivelling hook               | Crochet relevage de résistance | EY/FE/40M     | 1      |       |        |           |
| 103 | 5060804349 | Heizkörper 2000W 400V        | Resistenza 2000W 400V         | Heating element 2000W 400V    | Résistance 2000W 400V          | BE/85         | 1      |       |        |           |
| 104 | 5061618075 | Thermostat                   | Termostato                    | Thermostat                    | Thermostat                     | 50° - 320° C  | 2      |       |        |           |
| 105 | 5006304040 | Verbindungsbügel Thermostat  | Staffa di collegamento        | Connection bracket thermostat | Etrier de jonction thermostat  |               | 2      |       |        |           |
| 106 | 5060904057 | Stufenschalter-Vorsatz       | Commutatore con alberino      | Switch adapter                | Adaptateur de commutateur      |               | 2      |       |        |           |
| 107 | 5022904315 | Schaltknopf 50°-300° C       | Manopola 50°-300° C           | Knob 50°-300° C               | Bouton de cde 50°-300° C       |               | 2      |       |        |           |
| 108 | 5040316827 | Mutter 6kt Messing           | Dado esagonale ottone         | Hexagon brass nut             | Ecrou hexagonal en laiton      | M13x0,75      | 2      |       |        |           |
| 109 | 5017316826 | Silikondichtring             | Guarnizione anello silicone   | Silicon sealing ring          | Bague d'étanchéité en silicone | D 12,8 MM     | 2      |       |        |           |
| 110 | 5061111709 | Signalleuchte weiß           | Lampada spia verde            | Green control lamp            | Voyant lumineux verte          | SGF 400V      | 1      |       |        |           |
| 111 | 5012002196 | Scharnier rechts             | Cerniera destra               | Right hinge                   | Charnière droite               | GB/EB         | 1      |       |        |           |
| 112 | 5012002108 | Scharnier links              | Cerniera sinistra             | Left hinge                    | Charnière gauche               | GB/EB         | 1      |       |        |           |
| 113 | 5006302092 | Halter Scharnier             | Supporto cerniera             | Hinge holder                  | Support de charnière           | GB/EB         | 2      |       |        |           |
| 114 | 3513417201 | Tür Backrohr                 | Porta forno                   | Oven door                     | Porte four                     | GO/EO/70      | 1      |       |        |           |
| 115 | 5005614999 | Halter Griff                 | Supporto maniglia             | Handle holder                 | Support de poignée             | S/90          | 2      |       |        |           |
| 116 | 5000514997 | Rohr Griff Backrohr          | Tubo maniglia forno           | Oven handle tube              | Tube cyl. pour poignée de four | EB/GB/90      | 1      |       |        |           |
| 117 | 5040901011 | Linsenschraube               | Vite                          | Oval screw                    | Vis à tête conique bombée      | M6x12 SL INOX | 4      |       |        |           |
| 118 | 3511508959 | Seitenwand Innen             | Fianco laterale interno       | Internal side panel           | Panneau latéral intérieur      | GO/EO/70      | 2      |       |        |           |
| 119 | 5004703314 | Feder Fühlerhalter           | Fermaglio bulbo               | Spring probe clip             | Ressort support de sonde       | UBG/UBE/WS    | 4      |       |        |           |
| 120 | 3560510391 | Anschlußklemme 4P            | Morsettiera 4P                | Connection terminal 4P        | Borne de raccordement 4P       | PA/220 SEZ16  | 1      |       |        |           |
| 121 | 5041703368 | Linsenschraube               | Vite                          | Oval screw                    | Vis à tête conique bombée      | KSL 3,9x9,5   | 2      |       |        |           |
| 122 | 3000808906 | Abdeckung Fühler             | Protezione bulbo              | Probe protection              | Protection de sonde            | GO/EO/70      | 1      |       |        |           |
| 123 | 5060825601 | Heizkörper 3000W 400V        | Resistenza 3000W 400V         | Heating element 3000W 400V    | Résistance 3000W 400V          | EO/70         | 1      |       |        |           |
| 124 | 5061111707 | Signalleuchte gelb           | Lampada spia gialla           | Yellow control lamp           | Voyant lumineux jaune          | SGF 400V      | 1      |       |        |           |

0103315323 Model: CHE/80

**Elektro Glaskeramikherd - Elektro Backofen**  
**Electric glass ceramic range - electric oven**

**Cucina in vetroceramica elettrica - forno elettrico**  
**Cuisinière vitrocéramique électrique - four électrique**

|            | Code       | Beschreibung            | Descrizione           | Description                | Désignation                |         | St/Qty | Start | Finish | Serialnr. |
|------------|------------|-------------------------|-----------------------|----------------------------|----------------------------|---------|--------|-------|--------|-----------|
| <b>125</b> | 5010102018 | Rost Backrohr verchromt | Griglia cromata forno | Chromium plated grate oven | Grille de four chromée     | GN 2/1  | 1      |       |        |           |
| <b>126</b> | 3502600142 | Backblech               | Teglia smaltata       | Enamelled baking grate     | Plaque pâtissière émaillée | S/70/85 | 1      |       |        |           |
| <b>127</b> | 5001624000 | Boden Backrohr          | Fondo forno           | Oven bottom                | Fond de four               | EO/70   | 1      |       |        |           |