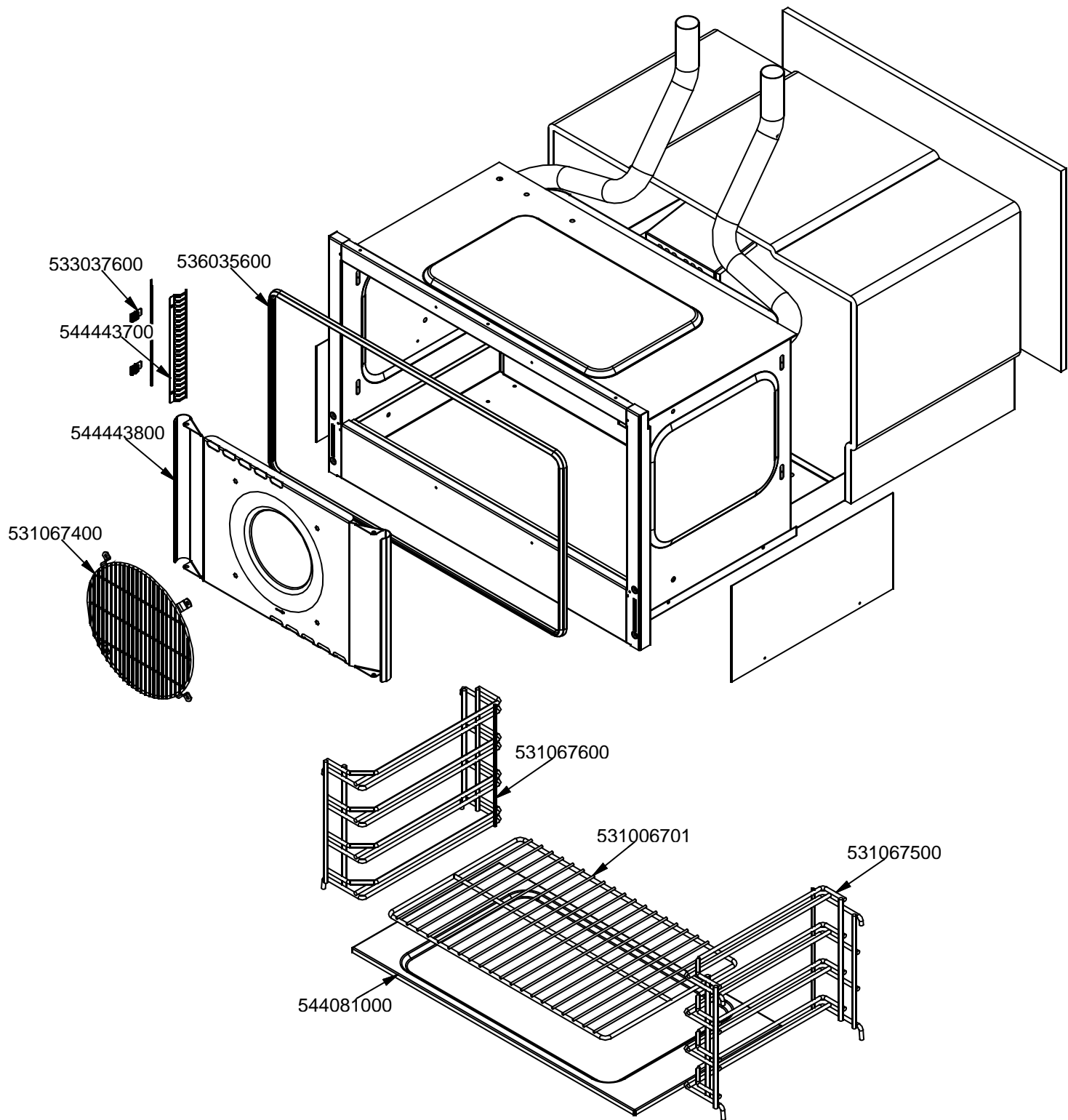
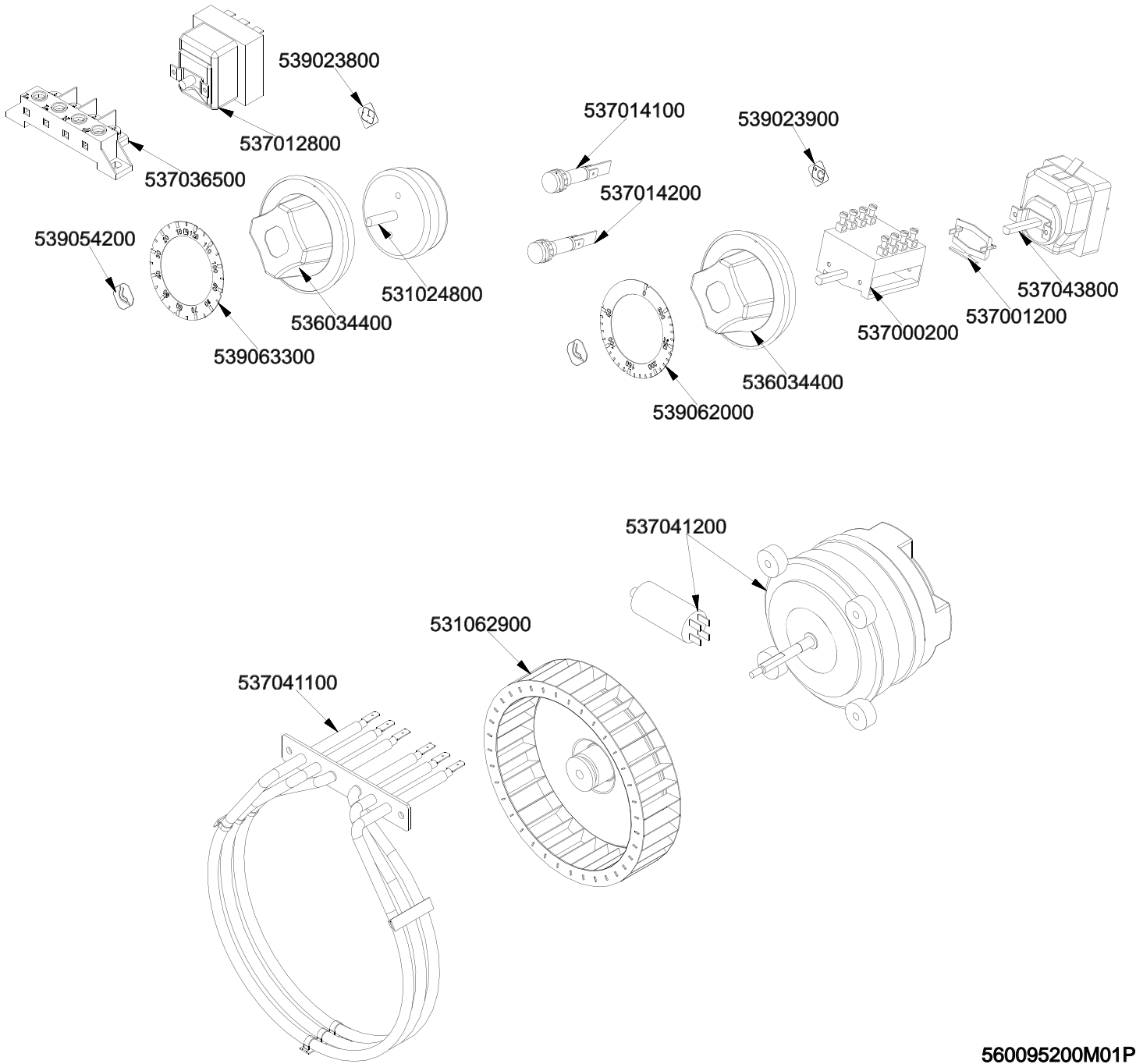
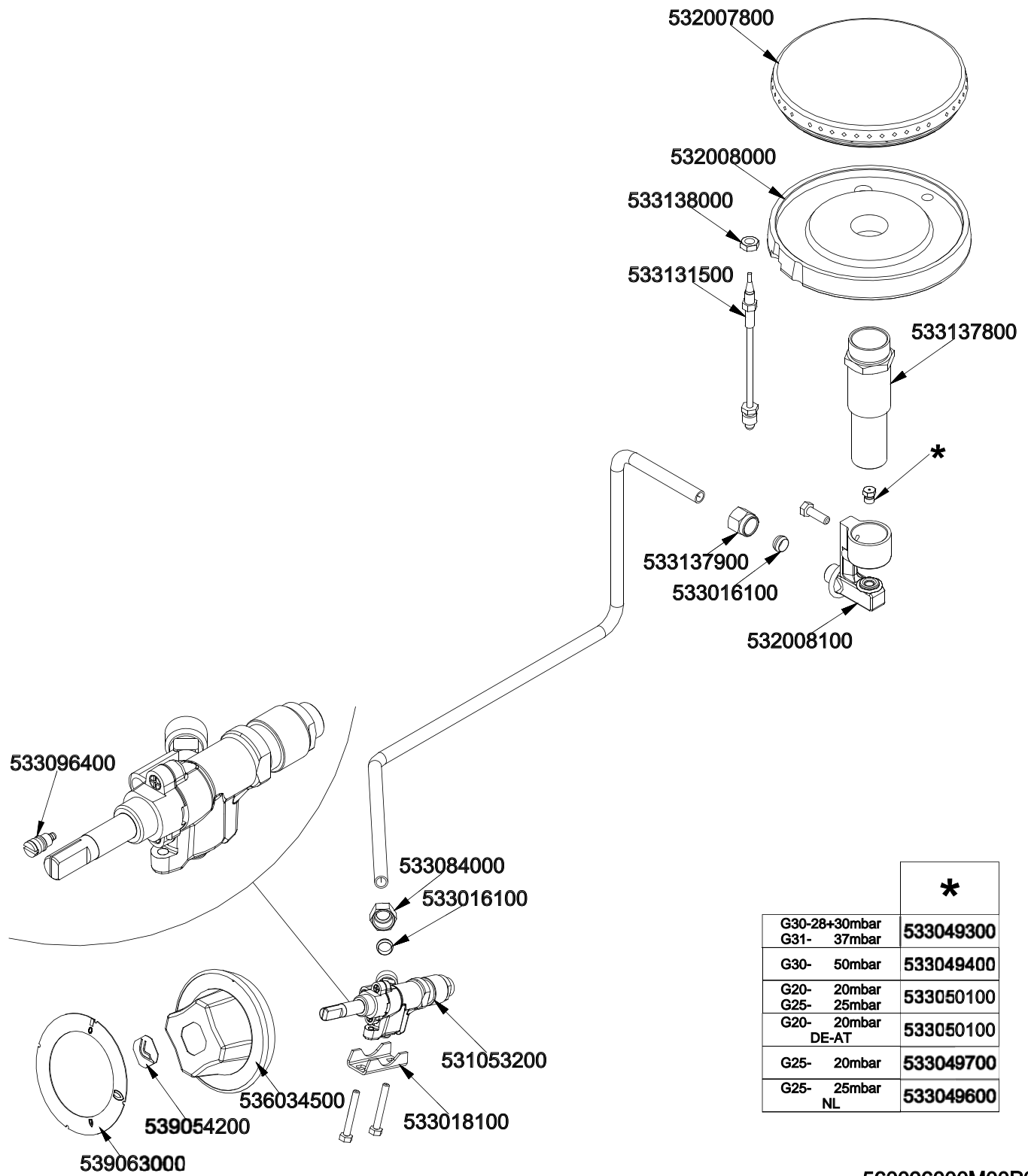


560096100M00P00

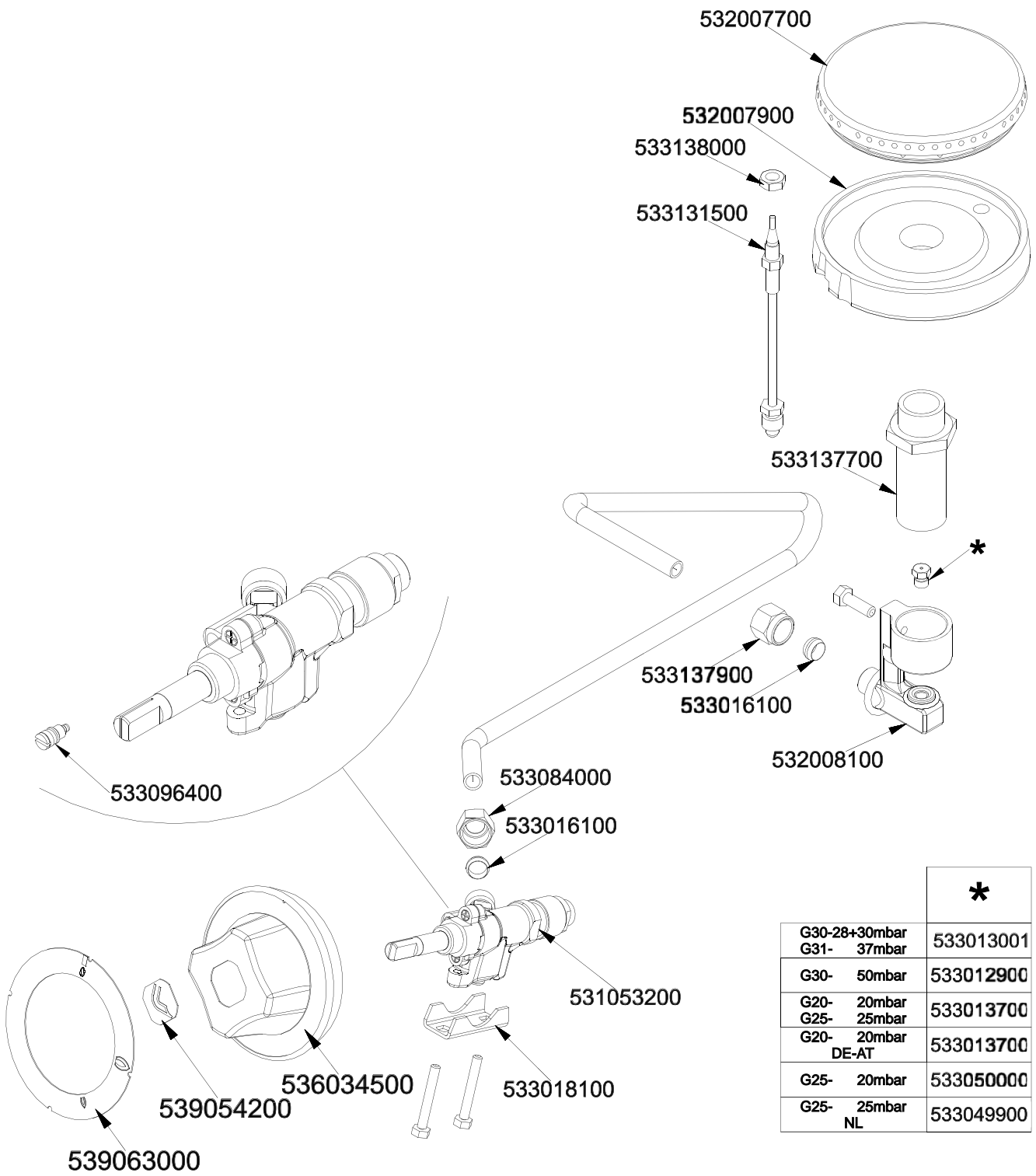


560095100M00P00





560096000M00P00



		*
G30-28+30mbar		533013001
G31-	37mbar	533012900
G30-	50mbar	533012900
G20-	20mbar	533013700
G25-	25mbar	533013700
G20-	20mbar	533013700
	DE-AT	533013700
G25-	20mbar	533050000
G25-	25mbar	533049900
	NL	533049900

560095900M00P00

Page	Pos	Code	Description
001		532006800	2 BURNERS GRID 289X504 60T NIC.
001		532006200	2 BURNERS GRID 289X504 60T RAF
001		533070600	
001		533135700	SPACER GRILL UK CFPB6-79G
001		541196900	UPPER PLATE UK CFPB6-79G
001		544680500	LEFT SIDE OF CFPB6-79G UK
001		537036500	TERMINAL BLOCK 4POLES 40A SCREW-SCR
001		544679400	CONTROL PANEL EL.UK
001		544680400	RIGHT SIDE FRAME CFPB6-79G UK
001		536005200	INOX LEG 2" 120-180 M10
002		544679900	
002		531067100	
002		544679800	
002		544680900	TOP OVEN DOOR HINGE FOR CF UK
002		533035200	HANDLE SPACER
002		533094200	S/S HANDLE FOR 70/90 SERIES
002		544679700	LHD OVEN DOOR * UK CFPB6-789G
002		544679600	RHD OVEN DOOR * UK CFPB6-789G
002		544681000	LOWER OVEN DOOR HINGE FOR CF UK
003		533037600	LOCK SPRING FOR BULB
003		536035600	OVEN GASKET GN 2/1
003		544443800	55 ELECIC OVEN BOTTOM GN1/1
003		531067400	PROTECTION GRID FOR FAN OVEN*S70
003		531067600	LHD GRIDS HOLDER FOR GN1/1-OVEN S70
003		531006701	MAXI OVEN GRID FOR S60/65
003		531067500	RHD GRIDS HOLDER FOR GN1/1-OVEN S70
003		544081000	55 ELECIC OVEN BOTTOM GN1/1
003		544443700	
004		539023800	LABEL FOR OVEN TIMER
004		537014100	WHITE WARNING LIGHT 250V
004		539023900	SIGN PLATE FOR OVEN TEMPERATURE
004		537012800	SAFETY THERMOSTAT 420°C THREEPHASE
004		537014200	GREEN WARNING LIGHT 250V
004		537036500	TERMINAL BLOCK 4POLES 40A SCREW-SCR
004		539054200	STAMP O20,5 CR."L" LOTUS R.
004		537043800	THERMOSTAT 48/300°C THREEPHASE
004		537001200	FIXING BRACKET FOR THERMOSTAT/COMM.
004		531024800	TIMER 120'- 360°
004		536034400	KNOB §77 4P. §06*4,6 C/M
004		537000200	COMMUTATOR 1 POS. 3PHASE S.49 16A
004		539063300	ADESIVE DISK FOR TYMER GREY
004		539062000	ADESIVE DISK THERMOSTAT OVEN S70
004		537041200	S70 MOTORFAN
004		531062900	OVEN FAN O180 S.70
004		537041100	HEATING ELEMENT 5200W 230V3 OVEN
005		532007800	BURNER COVER RING Ø120
005		532008000	BURNER BODY 6 KW
005		533138000	BRASS NUT M6X0,75
005		533131500	THERMOCOUPLE 600 M6*0,75
005		533137800	BURNER VENTURI 6KW UK
005		533137900	THREARED FITTING FOR BICONE 8S M12

Page	Pos	Code	Description
005		533016100	BICONE D.8
005		532008100	ELBOW 90° NOZZLE-HOLDER §08 PIPE
005		533096400	
005		533084000	HEXAGONAL NUT 1/4G ZN TUBE §8
005		531053200	§00 BY-PASS SAFETY COCK
005		536034500	KNOB §77 4P. §08*6,5
005		533018100	BRIDLE D.21
005		539054200	STAMP Ø20,5 CR."L" LOTUS R.
005		539063000	RED STICKING DISK 72
005		533049300	NOZZLE §120 CH07*08,8
005		533049400	NOZZLE §225 CH12*14 OVEN GN 2/1
005		533050100	NOZZLE §185 CH7*8,8 GRILL AARDGAS L
005		533049700	NOZZLE §135 CH12*14,0
005		533049600	NOZZLE §85 CH12*14 F-FQ5
006		532007700	BURNER COVER RING Ø090
006		532007900	BURNER BODY 3,5 KW
006		533138000	BRASS NUT M6X0,75
006		533131500	THERMOCOUPLE 600 M6*0,75
006		533137700	BURNER VENTURI 3,5KW UK
006		533137900	THREADED FITTING FOR BICONE 8S M12
006		533016100	BICONE D.8
006		532008100	ELBOW 90° NOZZLE-HOLDER §08 PIPE
006		533084000	HEXAGONAL NUT 1/4G ZN TUBE §8
006		533096400	
006		531053200	§00 BY-PASS SAFETY COCK
006		533018100	BRIDLE D.21
006		536034500	KNOB §77 4P. §08*6,5
006		539054200	STAMP Ø20,5 CR."L" LOTUS R.
006		539063000	RED STICKING DISK 72
006		533013001	NOZZLE §90 CH7*8,8 F-OVEN+GRILL
006		533012900	NOZZLE §80 CH7*8,8 F-GRILL
006		533013700	INJECTOR CH07X08,8 Ø140
006		533050000	NOZZLE §80 CH12*14 F-FP/CP6
006		533049900	NOZZLE D.I 260 G110 (TOWN GAS