

MDT5N25 & MTD5N40 SERVICE PARTS

This parts list contains the service parts and wiring diagrams for this model. Check the model number of the machine requiring the parts to be sure that this is the correct parts list.

MDT5N25s & MDT5N40s have been made in 115 volt, 60 Hz and 230 volt 50 Hz.

Model numbers for the 115 volt models include:

MDT5N25A-1A and MDT5N25W-1A

MDT5N40A-1A and MDT5N40W-1A

MDT5N25A-1B and MDT5N25W-1B

MDT5N40A-1B and MDT5N40W-1B

B series units have different water cooled condensers.

Model numbers for the 230 volt models include:

MDT5N25A-6A and MDT5N25W-6A.

MDT5N40A-6A and MDT5N40W-6A

MDT5N25A-6B and MDT5N25W-6B.

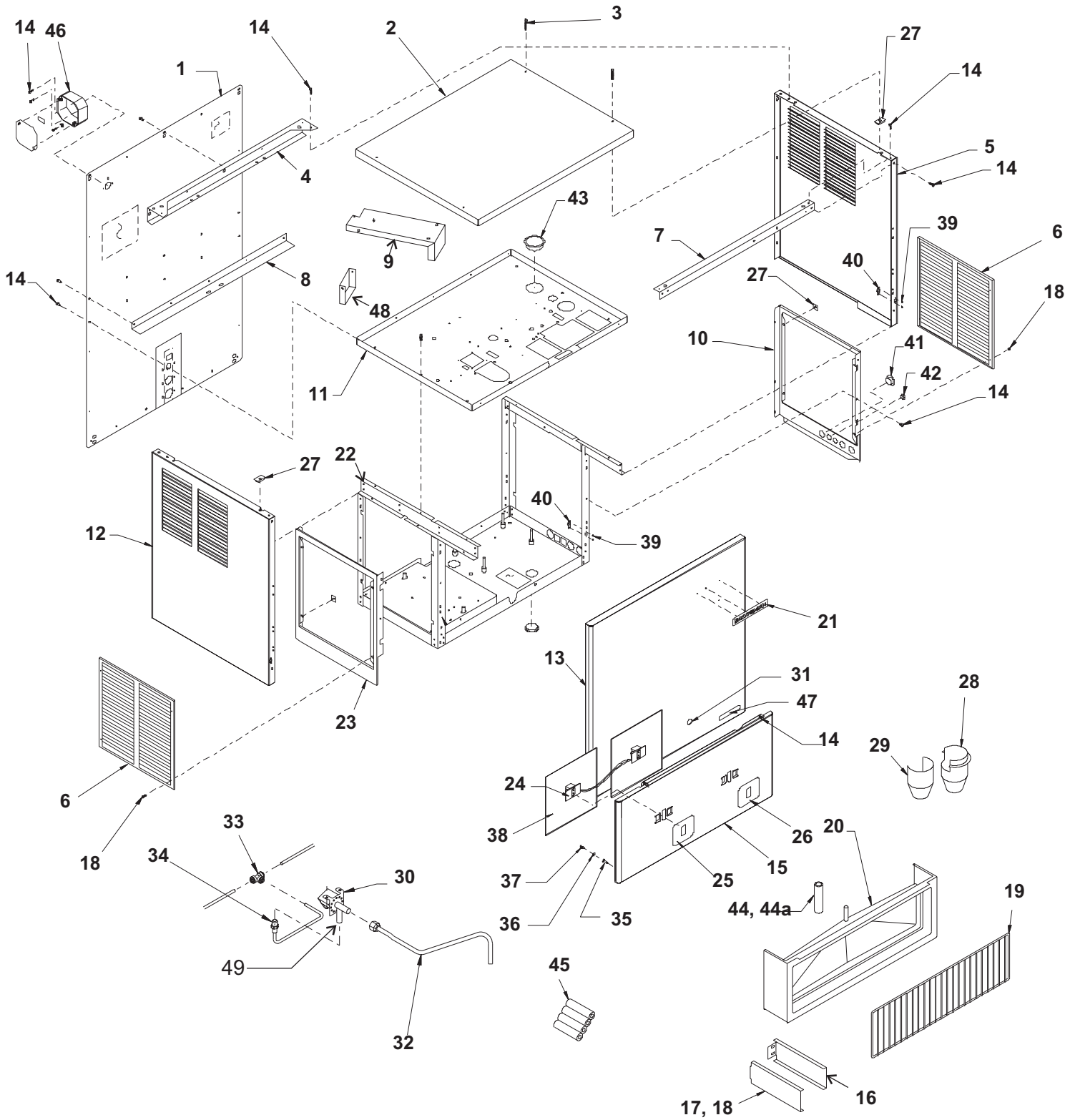
MDT5N40A-6B and MDT5N40W-6B.

TABLE OF CONTENTS

| | |
|--------------------------------------|---------|
| Cabinet Assembly | Page 2 |
| Air Cooled Refrigeration. | Page 4 |
| Water Cooled Refrigeration | Page 5 |
| Ice Dispensing | Page 6 |
| Evaporator | Page 7 |
| Gearmotor Assembly | Page 8 |
| Control Box | Page 9 |
| Water System | Page 10 |
| Wiring Diagrams | Page 11 |

MDT5N25 & MTD5N40 SERVICE PARTS

Cabinet



MDT5N25 & MTD5N40 SERVICE PARTS

Cabinet

MDT5N25

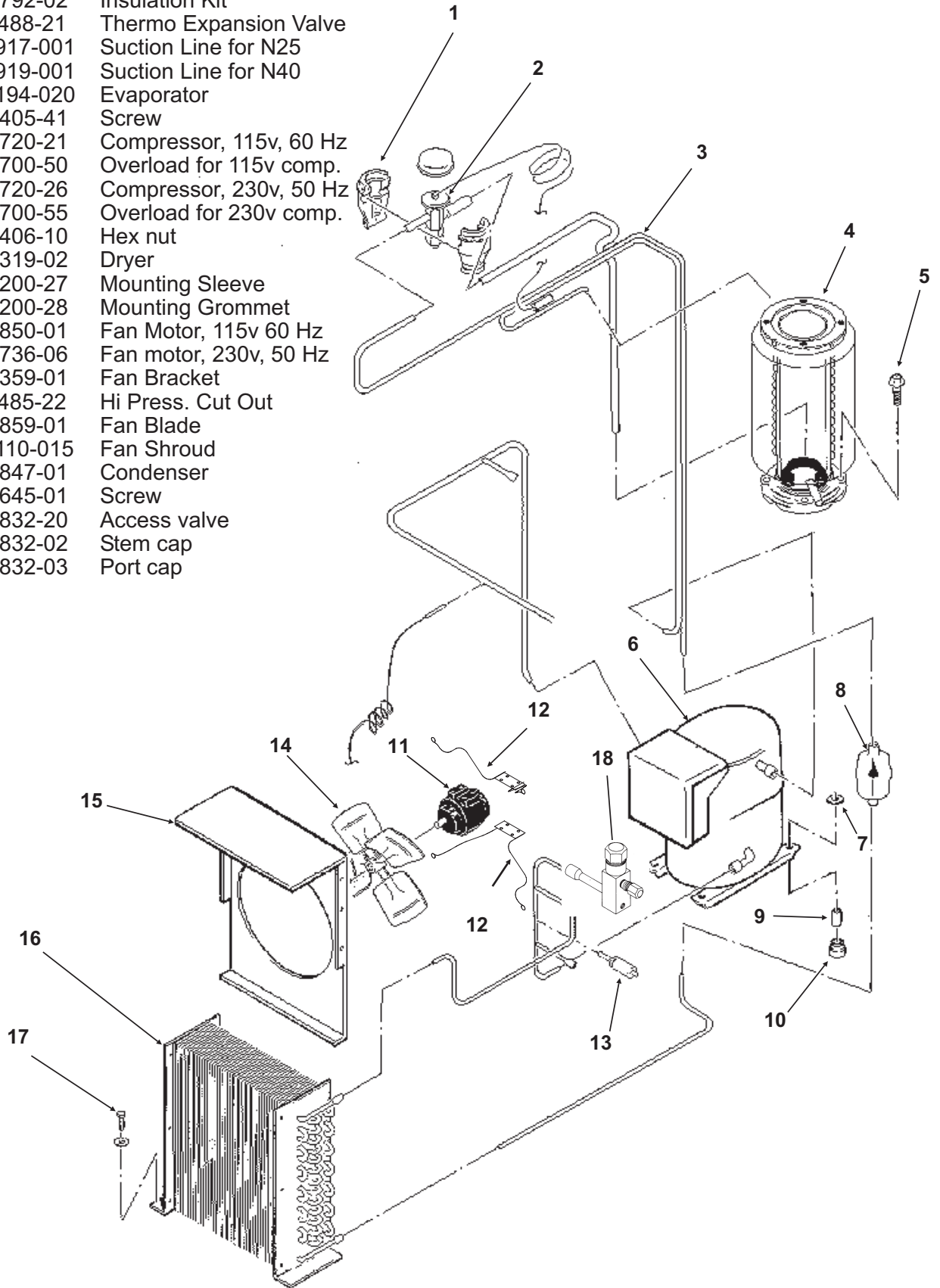
MDT5N40

| ITEM NUMBER | PART NUMBER | DESCRIPTION | ITEM NUMBER | PART NUMBER | DESCRIPTION |
|-------------|-------------|------------------------------|-------------|-------------|----------------------------|
| 1 | A32954-002 | Back Panel, stainless | 1 | A33112-002 | Back Panel, stainless |
| 2 | A37769-001 | Top Panel, stainless | 2 | A37769-001 | Top Panel, stainless |
| 3 | 03-1419-16 | Panel screw | 3 | 03-1419-16 | Panel screw |
| 4 | A32938-015 | Hanger Brace | 4 | A32938-015 | Hanger Brace |
| 5 | A37768-022 | Rt. side panel, stainless | 5 | A37787-022 | Rt. side panel, stainless |
| 6 | A33113-002 | Service panel, stainless | 6 | A33113-002 | Service panel, stainless |
| 7 | A32939-015 | Front Brace | 7 | A32939-015 | Front Brace |
| 8 | A32940-015 | Support angle | 8 | A32940-015 | Support angle |
| 9 | A32949-015 | Gearmotor Support | 9 | A33107-015 | Gearmotor Support |
| 10 | A32953-002 | Rt. side lower, stainless | 10 | A32953-002 | Rt. side lower, stainless |
| 11 | A32956-015 | Upper plate assembly | 11 | A32956-015 | Upper plate assembly |
| 12 | A37768-021 | Lt. side panel, ss | 12 | A37787-021 | Lt. side panel, ss |
| 13 | A37770-021 | Up front panel, stainless | 13 | A37788-021 | Up front panel, stainless |
| 14 | 03-1531-01 | Screw | 14 | 03-1531-01 | Screw |
| 15 | A37790-021 | Splash panel with labels | 15 | A37790-021 | Splash panel with labels |
| 16 | A34917-015 | RH sink support | 16 | A34917-015 | RH sink support |
| 17 | A34917-015 | LH sink support | 17 | A34917-015 | LH sink support |
| 18 | 03-1645-01 | Screw | 18 | 03-1645-01 | Screw |
| 19 | 02-2951-01 | Grill | 19 | 02-2951-01 | Grill |
| 20 | 02-2944-02 | Sink, gray | 20 | 02-2944-02 | Sink, gray |
| 21 | 15-0808-01 | Emblem | 21 | 15-0808-01 | Emblem |
| 22 | A32958-001 | Lower frame assy | 22 | A32958-001 | Lower frame assy |
| 23 | A32952-002 | Lt side lower, stainless | 23 | A32952-002 | Lt side lower, stainless |
| 24 | 12-2495-21 | Touch free sensors | 24 | 12-2495-21 | Touch free sensors |
| 25 | 17-2830-01 | Ice label, grey | 25 | 17-2830-01 | Ice label, grey |
| 26 | 17-2830-02 | Water label, grey | 26 | 17-2830-02 | Water label, grey |
| 27 | 03-1423-06 | Speed nut | 27 | 03-1423-06 | Speed nut |
| 28 | 02-3365-01 | Water chute | 28 | 02-3365-01 | Water chute |
| 29 | 02-3270-01 | Ice chute | 29 | 02-3270-01 | Ice chute |
| 30 | 12-1646-01 | Solenoid Assembly (115v) | 30 | 12-1646-01 | Solenoid Assembly (115v) |
| | 12-1646-06 | Solenoid (230v) | | 12-1646-06 | Solenoid (230v) |
| 31 | 12-2391-01 | Key lock sw, Gov. Units only | 31 | 12-2391-01 | Key lock, Gov. units only |
| 32 | A36762-001 | Water line | 32 | A36762-001 | Water line |
| 33 | 16-1040-01 | Tee union | 33 | 16-1040-01 | Tee union |
| 34 | 16-1046-01 | Connector | 34 | 16-1046-01 | Connector |
| 35 | 03-1734-01 | Insert | 35 | 03-1734-01 | Insert |
| 36 | 03-1417-27 | Lock washer | 36 | 03-1417-27 | Lock washer |
| 37 | 03-1733-01 | Ball stud | 37 | 03-1733-01 | Ball stud |
| 38 | 19-0644-01 | Insulation pad | 38 | 19-0644-01 | Insulation pad |
| 39 | no number | Rivet | 39 | no number | Rivet |
| 40 | 03-1733-02 | Retainer | 40 | 03-1733-02 | Retainer |
| 41 | 02-1874-05 | Hole plug | 41 | 02-1874-05 | Hole plug |
| 42 | 02-1874-07 | Hole plug | 42 | 02-1874-07 | Hole plug |
| 43 | no number | Bushing | 43 | no number | Bushing |
| 44 | 13-0079-01 | Hose, order 1 | 44 | 13-0079-01 | Hose, order 1 |
| 44a | 02-2814-06 | Hose clamp | 44a | 02-2814-06 | Hose clamp |
| 45 | A32235-001 | Leg for Gov. Units | 45 | A32235-001 | Leg for Gov. Units |
| 46 | 12-0346-00 | Junction box | 46 | 12-0346-00 | Junction box |
| 47 | 15-0803-01 | Touch-Free label | 47 | 15-0803-01 | Touch-Free label |
| 48 | A33381-015 | Support leg | 48 | A33382-015 | Support leg |
| 49 | 16-0643-00 | Inlet adapter (half union) | 49 | 16-0643-00 | Inlet adapter (half union) |

MDT5N25 & MTD5N40 SERVICE PARTS

Air Cooled Refrigeration

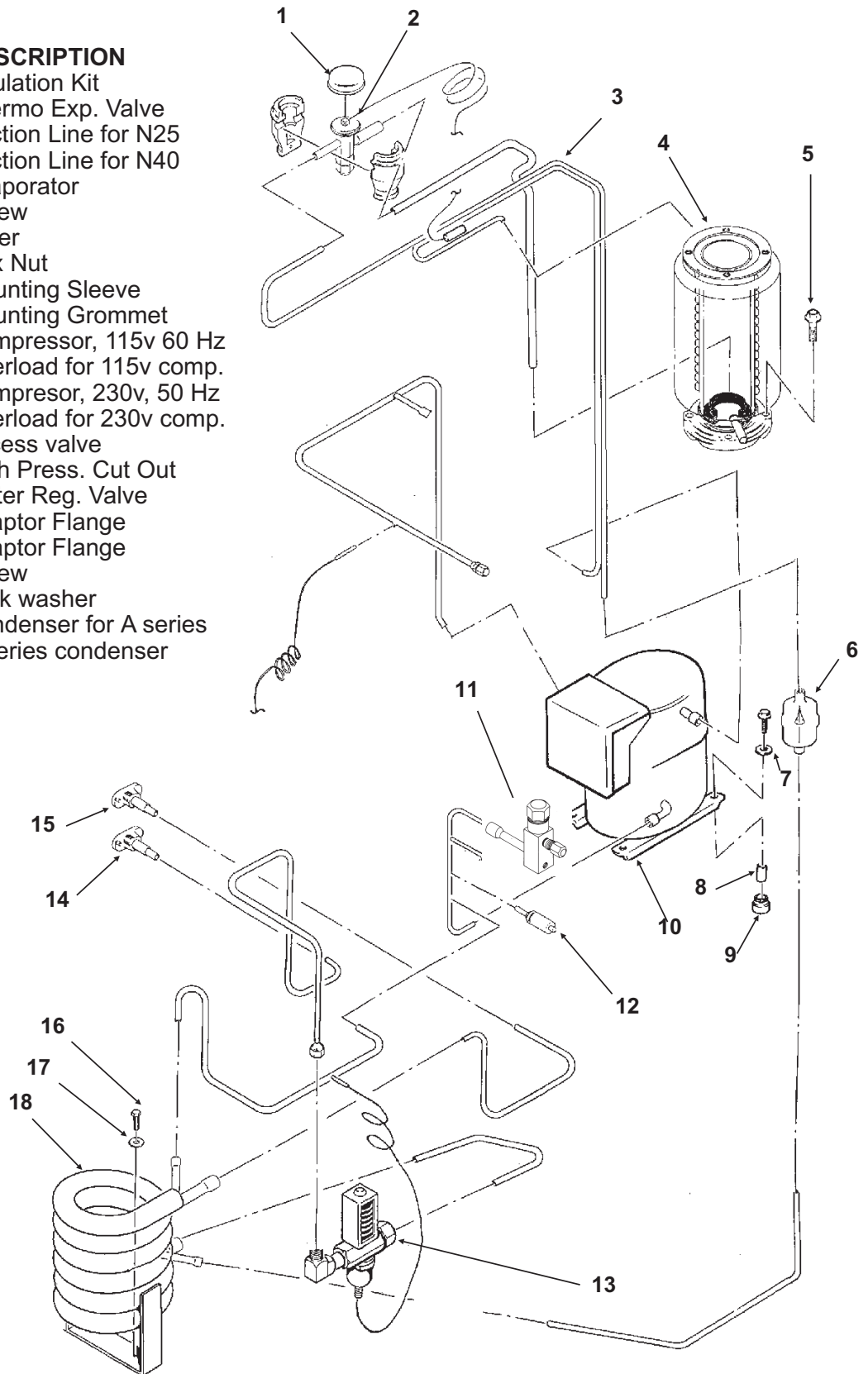
| ITEM NUMBER | PART NUMBER | DESCRIPTION |
|-------------|-------------|-------------------------|
| 1 | 02-3792-02 | Insulation Kit |
| 2 | 11-0488-21 | Thermo Expansion Valve |
| 3 | A37917-001 | Suction Line for N25 |
| | A37919-001 | Suction Line for N40 |
| 4 | A33194-020 | Evaporator |
| 5 | 03-1405-41 | Screw |
| 6 | 18-8720-21 | Compressor, 115v, 60 Hz |
| | 18-5700-50 | Overload for 115v comp. |
| | 18-8720-26 | Compressor, 230v, 50 Hz |
| | 18-5700-55 | Overload for 230v comp. |
| 7 | 03-1406-10 | Hex nut |
| 8 | 02-3319-02 | Dryer |
| 9 | 18-2200-27 | Mounting Sleeve |
| 10 | 18-2200-28 | Mounting Grommet |
| 11 | 18-8850-01 | Fan Motor, 115v 60 Hz |
| | 18-8736-06 | Fan motor, 230v, 50 Hz |
| 12 | 02-3359-01 | Fan Bracket |
| 13 | 11-0485-22 | Hi Press. Cut Out |
| 14 | 18-8859-01 | Fan Blade |
| 15 | A33110-015 | Fan Shroud |
| 16 | 18-8847-01 | Condenser |
| 17 | 03-1645-01 | Screw |
| 18 | 16-0832-20 | Access valve |
| | 16-0832-02 | Stem cap |
| | 16-0832-03 | Port cap |



MDT5N25 & MTD5N40 SERVICE PARTS

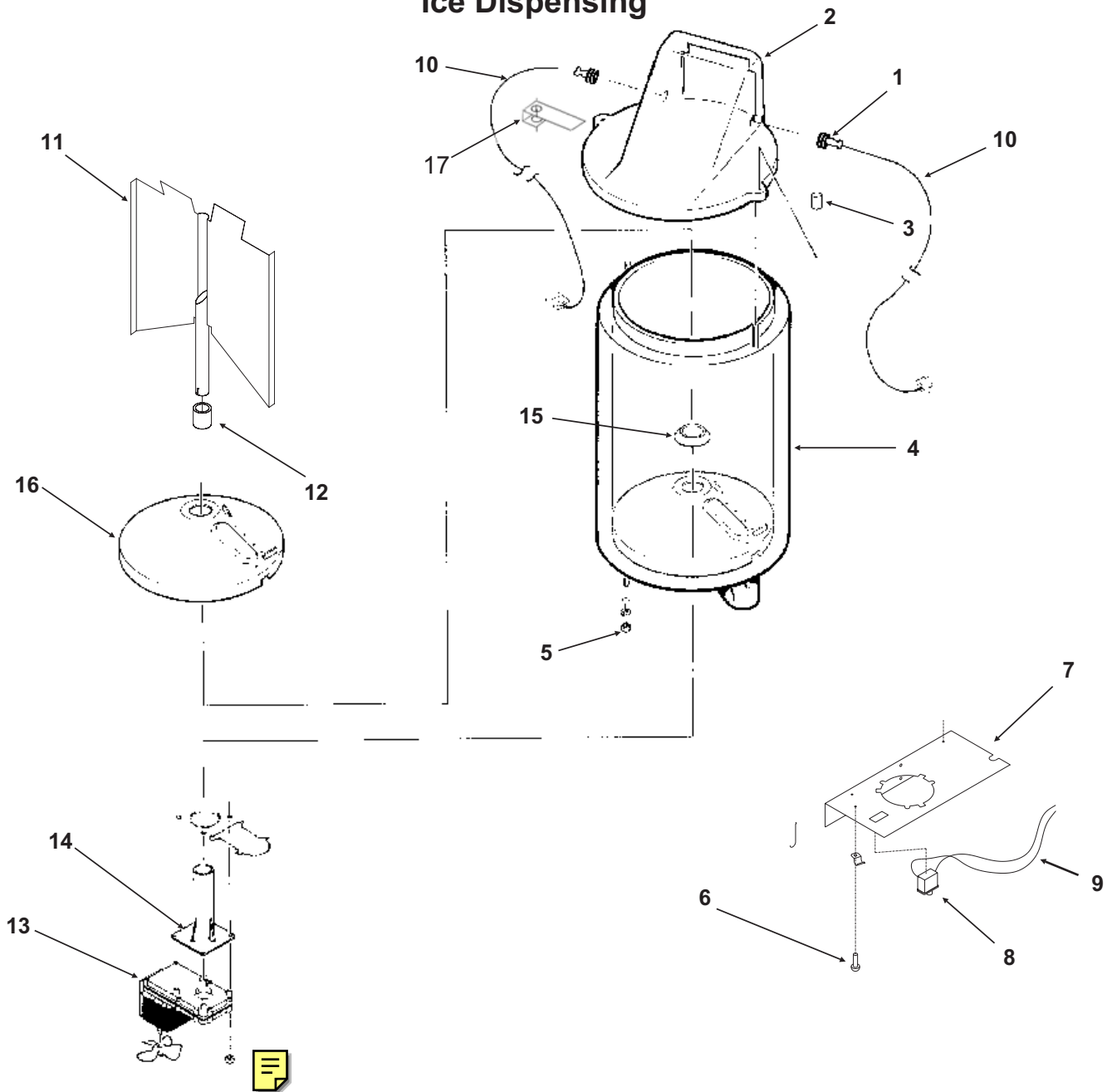
Water Cooled Refrigeration

| ITEM NUMBER | PART NUMBER | DESCRIPTION |
|-------------|-------------|-------------------------|
| 1 | 02-3792-02 | Insulation Kit |
| 2 | 11-0488-21 | Thermo Exp. Valve |
| 3 | A37917-001 | Suction Line for N25 |
| | A37919-001 | Suction Line for N40 |
| 4 | A33194-020 | Evaporator |
| 5 | 03-1405-41 | Screw |
| 6 | 02-3319-02 | Dryer |
| 7 | 03-1406-10 | Hex Nut |
| 8 | 18-2200-27 | Mounting Sleeve |
| 9 | 18-2200-28 | Mounting Grommet |
| 10 | 18-8720-21 | Compressor, 115v 60 Hz |
| | 18-5700-50 | Overload for 115v comp. |
| | 18-8720-26 | Compressor, 230v, 50 Hz |
| | 18-5700-55 | Overload for 230v comp. |
| 11 | 16-0832-20 | Access valve |
| 12 | 11-0485-22 | High Press. Cut Out |
| 13 | 11-0478-01 | Water Reg. Valve |
| 14 | A31828-002 | Adaptor Flange |
| 15 | A31828-001 | Adaptor Flange |
| 16 | 03-1405-17 | Screw |
| 17 | 03-1410-03 | Lock washer |
| 18 | 18-3305-25 | Condenser for A series |
| | 18-8871-21 | B series condenser |



MDT5N25 & MTD5N40 SERVICE PARTS

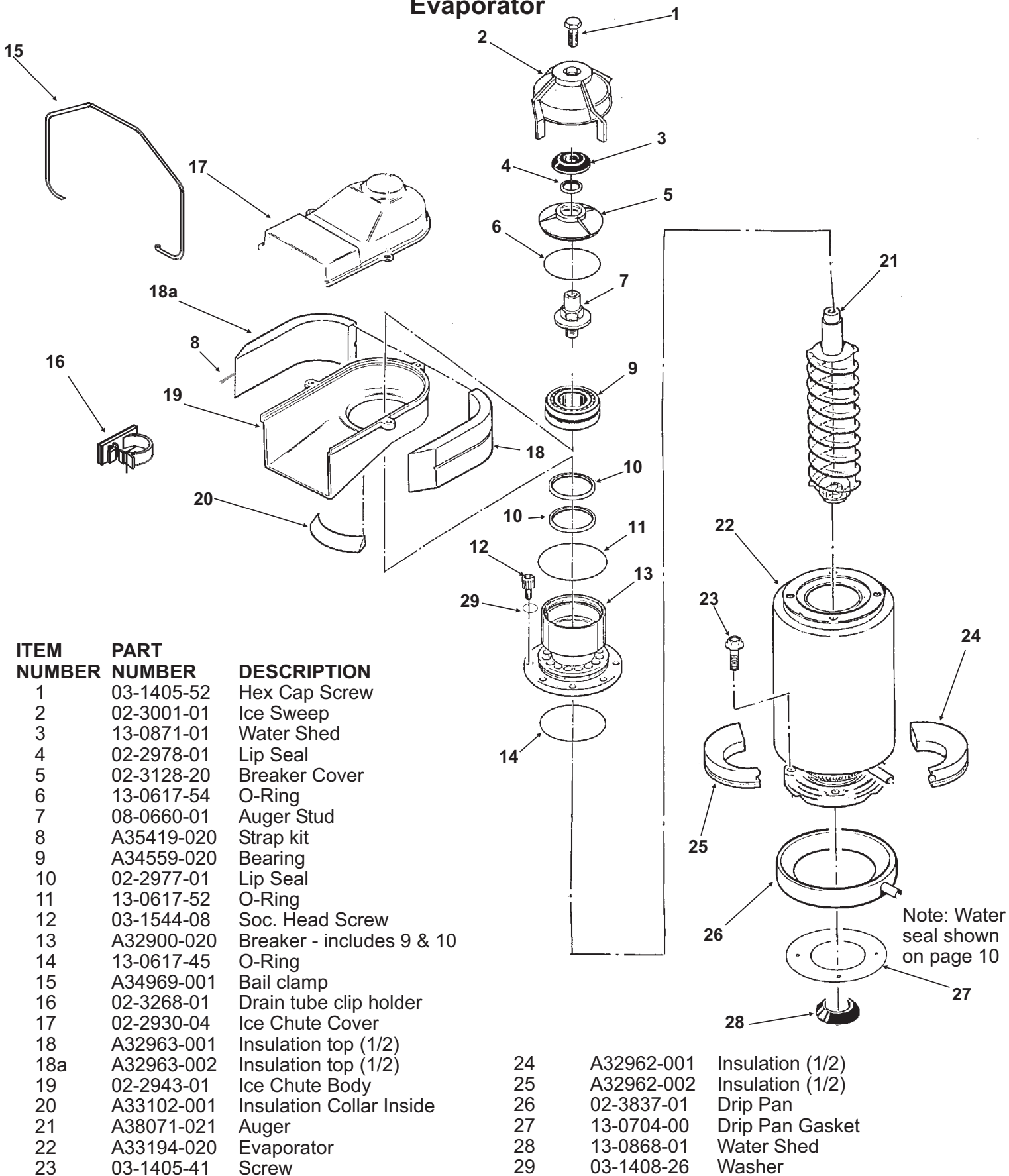
Ice Dispensing



| ITEM NUMBER | PART NUMBER | DESCRIPTION | ITEM NUMBER | PART NUMBER | DESCRIPTION |
|-------------|-------------|-------------------------|-------------|-------------|-----------------------------|
| 1 | 13-0866-01 | Grommet, Bin Control | 11 | A37268-001 | MDT5N25 Bin vane (inc. #12) |
| 2 | A34493-003 | Bin top | | A37267-001 | MDT5N40 Bin vane (inc. #12) |
| 3 | 03-0255-00 | Wing Nut | 12 | 02-3327-01 | Bearing |
| 4 | A34496-001 | MDT5 Storage Bin | 13 | 12-2677-21 | Bin Drive Motor (115v) |
| | A34496-002 | MDT5N40 Storage Bin | | 12-2677-26 | Bin Drive Motor (230v) |
| 5 | 03-1406-09 | Hex nut | 14 | 02-1971-00 | Bracket |
| | 03-1410-03 | Lock washer | 15 | 13-0747-00 | Water Shed |
| 6 | 03-1531-01 | Screw | 16 | A32657-001 | Bin Bottom |
| 7 | A37803-001 | Valve plate | 17 | A38033-001 | Bin top bracket |
| 8 | 12-2501-01 | Switch (Touch Free off) | | | |
| 9 | no number | Wires | | | |
| 10 | A37710-021 | Ice Level Sensor (set) | | | |

MDT5N25 & MTD5N40 SERVICE PARTS

Evaporator

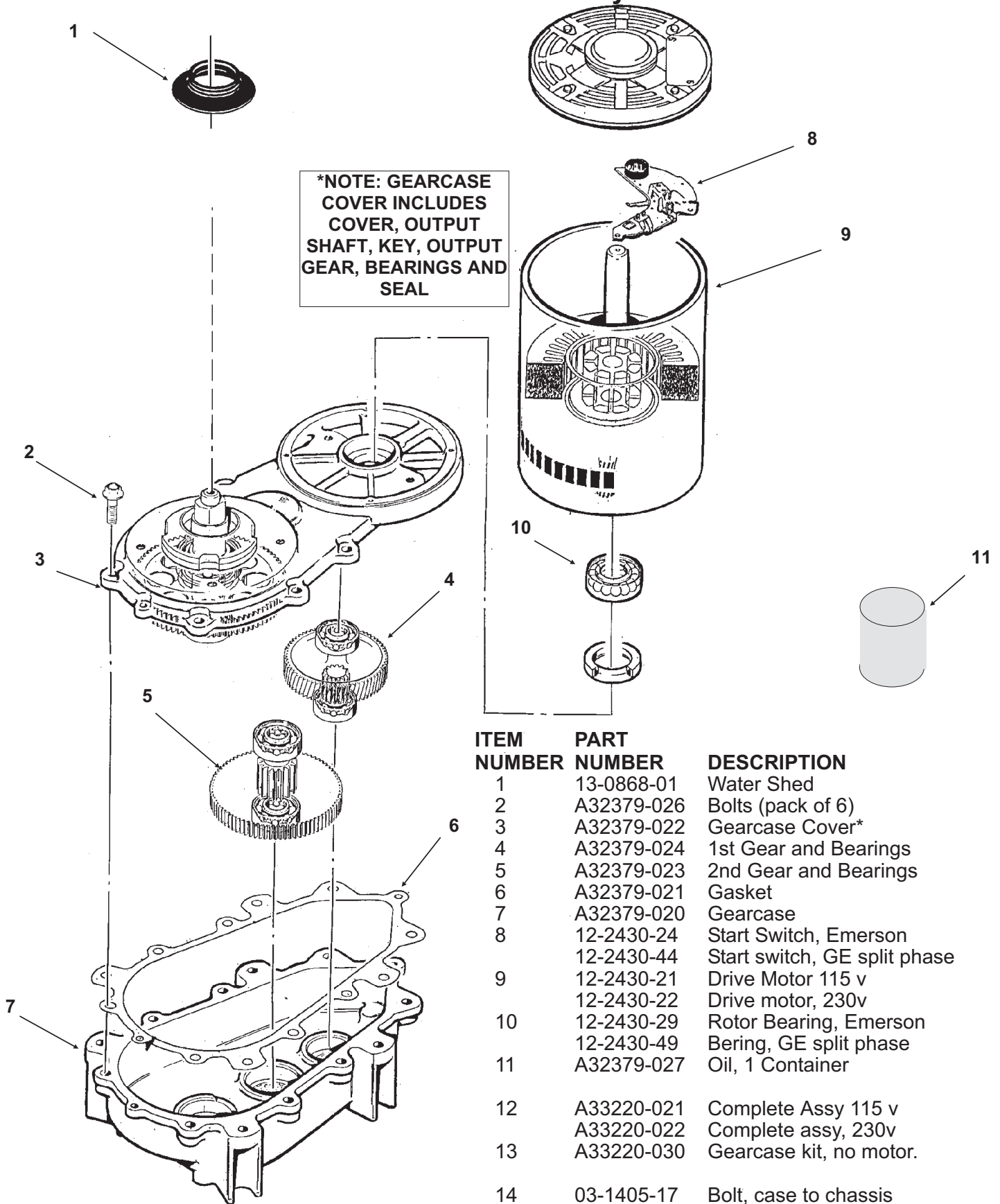


| ITEM NUMBER | PART NUMBER | DESCRIPTION |
|-------------|-------------|---------------------------|
| 1 | 03-1405-52 | Hex Cap Screw |
| 2 | 02-3001-01 | Ice Sweep |
| 3 | 13-0871-01 | Water Shed |
| 4 | 02-2978-01 | Lip Seal |
| 5 | 02-3128-20 | Breaker Cover |
| 6 | 13-0617-54 | O-Ring |
| 7 | 08-0660-01 | Auger Stud |
| 8 | A35419-020 | Strap kit |
| 9 | A34559-020 | Bearing |
| 10 | 02-2977-01 | Lip Seal |
| 11 | 13-0617-52 | O-Ring |
| 12 | 03-1544-08 | Soc. Head Screw |
| 13 | A32900-020 | Breaker - includes 9 & 10 |
| 14 | 13-0617-45 | O-Ring |
| 15 | A34969-001 | Bail clamp |
| 16 | 02-3268-01 | Drain tube clip holder |
| 17 | 02-2930-04 | Ice Chute Cover |
| 18 | A32963-001 | Insulation top (1/2) |
| 18a | A32963-002 | Insulation top (1/2) |
| 19 | 02-2943-01 | Ice Chute Body |
| 20 | A33102-001 | Insulation Collar Inside |
| 21 | A38071-021 | Auger |
| 22 | A33194-020 | Evaporator |
| 23 | 03-1405-41 | Screw |

| | | |
|----|------------|------------------|
| 24 | A32962-001 | Insulation (1/2) |
| 25 | A32962-002 | Insulation (1/2) |
| 26 | 02-3837-01 | Drip Pan |
| 27 | 13-0704-00 | Drip Pan Gasket |
| 28 | 13-0868-01 | Water Shed |
| 29 | 03-1408-26 | Washer |

MDT5N25 & MTD5N40 SERVICE PARTS

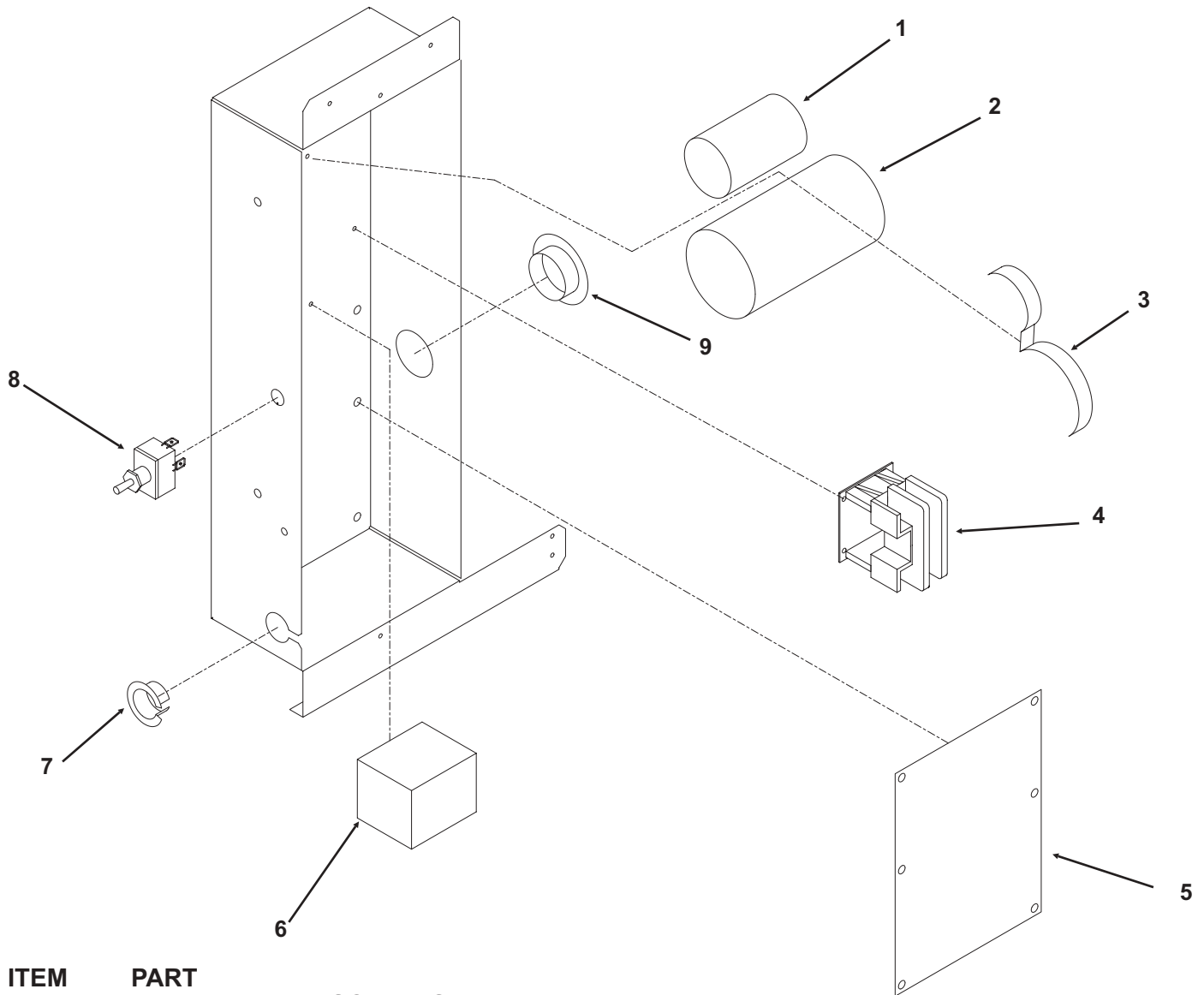
Gearmotor Assembly



| ITEM NUMBER | PART NUMBER | DESCRIPTION |
|-------------|-------------|------------------------------|
| 1 | 13-0868-01 | Water Shed |
| 2 | A32379-026 | Bolts (pack of 6) |
| 3 | A32379-022 | Gearcase Cover* |
| 4 | A32379-024 | 1st Gear and Bearings |
| 5 | A32379-023 | 2nd Gear and Bearings |
| 6 | A32379-021 | Gasket |
| 7 | A32379-020 | Gearcase |
| 8 | 12-2430-24 | Start Switch, Emerson |
| | 12-2430-44 | Start switch, GE split phase |
| 9 | 12-2430-21 | Drive Motor 115 v |
| | 12-2430-22 | Drive motor, 230v |
| 10 | 12-2430-29 | Rotor Bearing, Emerson |
| | 12-2430-49 | Bering, GE split phase |
| 11 | A32379-027 | Oil, 1 Container |
| 12 | A33220-021 | Complete Assy 115 v |
| | A33220-022 | Complete assy, 230v |
| 13 | A33220-030 | Gearcase kit, no motor. |
| 14 | 03-1405-17 | Bolt, case to chassis |
| 15 | 03-1410-04 | Washer for item 14 |

MDT5N25 & MTD5N40 SERVICE PARTS

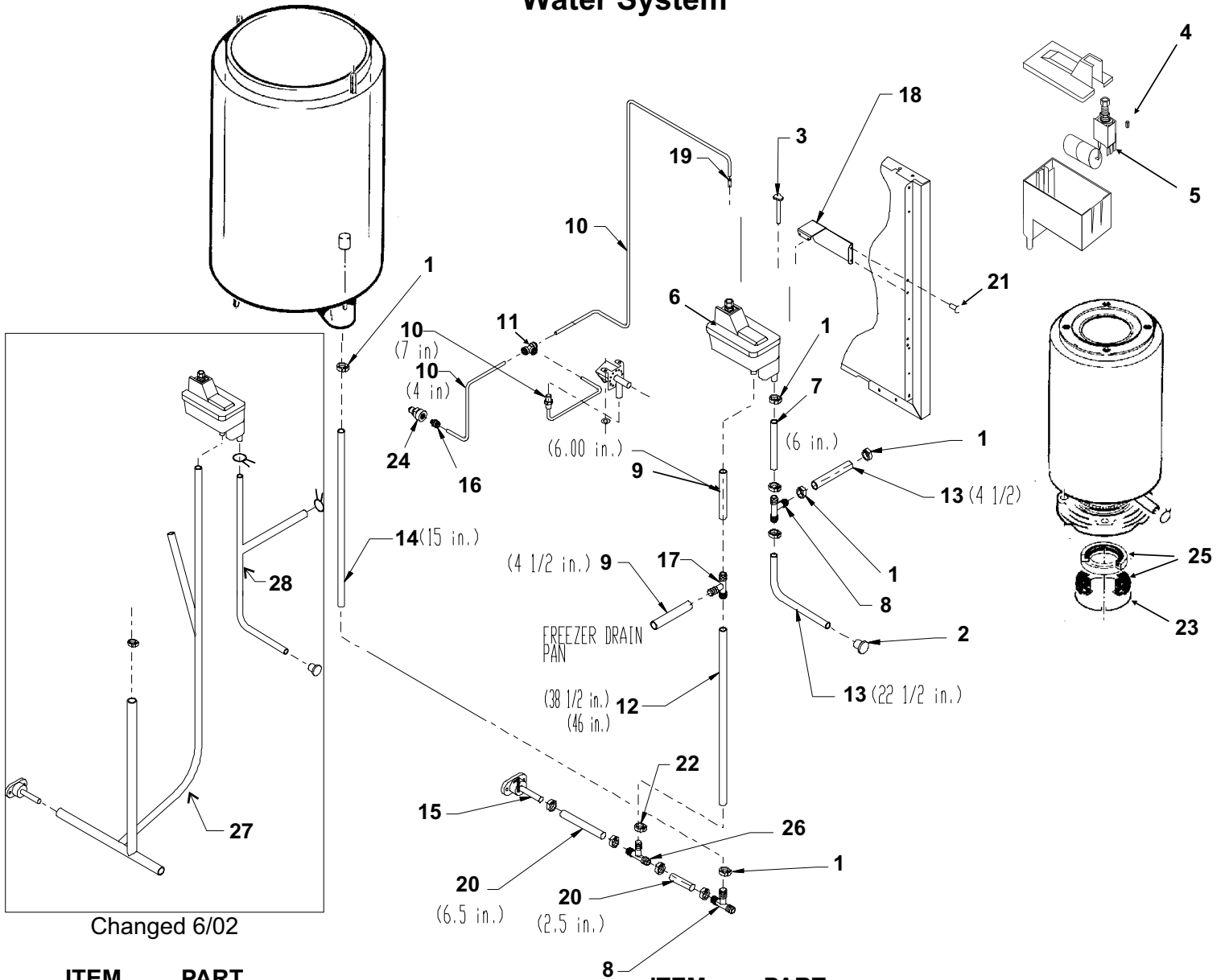
Control Box



| ITEM NUMBER | PART NUMBER | DESCRIPTION |
|-------------|-------------|-------------------------------|
| 1 | 18-1902-52 | Run capacitor, 115v, 60 Hz |
| 2 | 18-1901-49 | Start Capacitor, 115v 60 Hz |
| | 18-2200-35 | Start capacitor, 230v. 50 Hz |
| | 18-2200-38 | Cap for start capacitor |
| 3 | A36141-001 | Capacitor strap |
| 4 | 12-2469-03 | Contactor, 115v, 60 Hz |
| | 12-2469-02 | Contactor, 230v, 50 Hz |
| 5 | 12-2843-21 | 60 Hz (115v) circuit board |
| | 12-2843-26 | 50 Hz (230v) circuit board |
| 5a | 12-2499-01 | Standoff for circuit board |
| 6 | 18-1903-44 | Potential Relay, 115v, 60 Hz |
| | 18-1903-54 | Potential Relay, 230v, 50 Hz |
| 7 | 12-1213-10 | Bushing |
| 8 | 12-0426-01 | Switch |
| 9 | 12-1213-12 | Bushing |
| 10 | A36146-001 | Control box cover (not shown) |



MDT5N25 & MTD5N40 SERVICE PARTS Water System

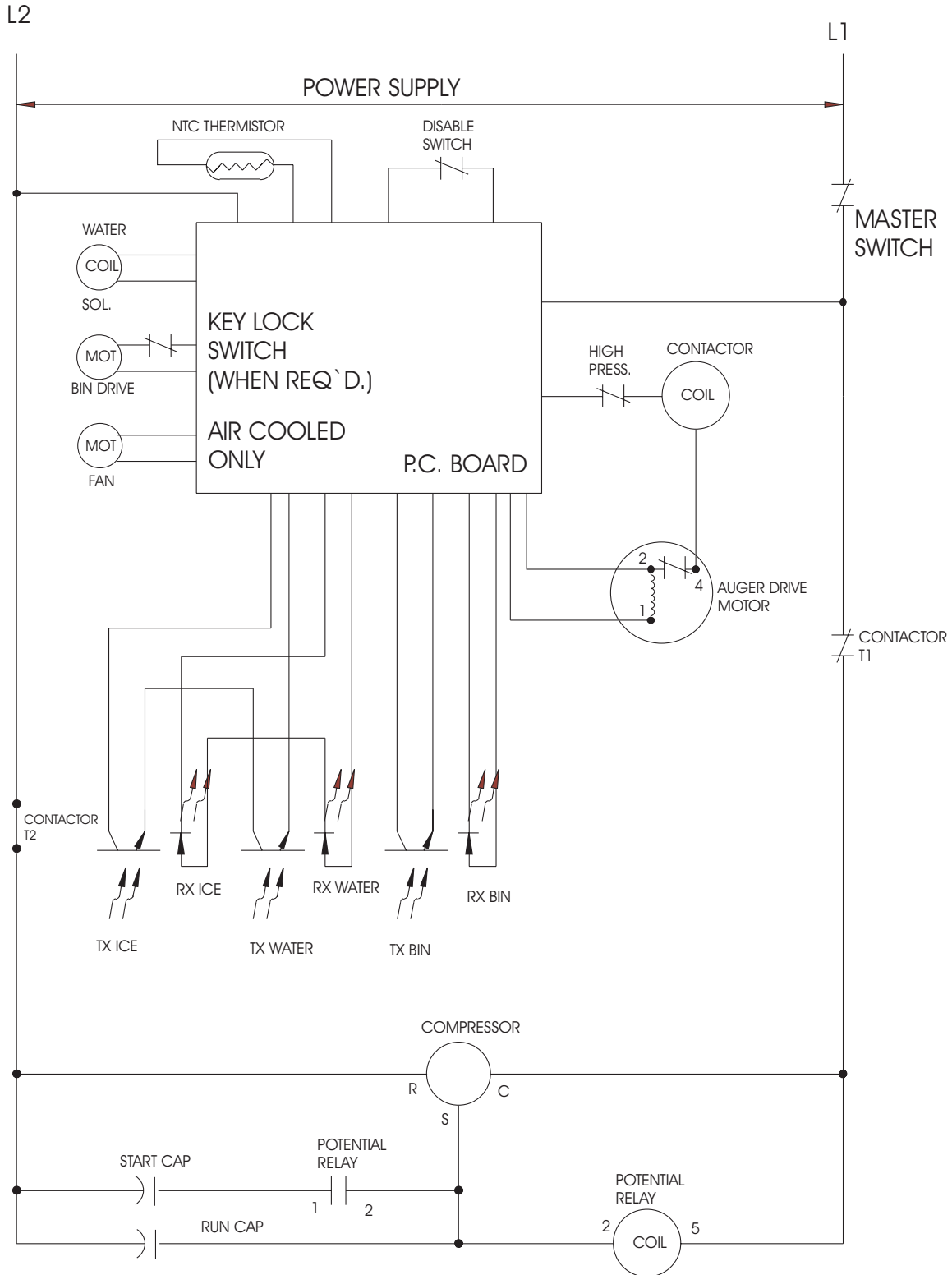


| ITEM NUMBER | PART NUMBER | DESCRIPTION |
|-------------|-------------|--|
| 1 | 02-2814-08 | Clamp |
| 2 | 13-0840-01 | Plug |
| 3 | A33101-022 | Water Level Sensor |
| 4 | 02-3266-03 | Plunger/seat |
| 5 | 02-3266-21 | Float valve |
| 6 | 02-3266-20 | Reservoir Assy, complete |
| 7 | 13-0674-06 | Tubing |
| 8 | 16-0670-01 | Tee |
| 9 | 13-0079-03 | Tubing |
| 10 | 13-0895-01 | Plastic tubing, order by foot |
| 11 | 16-1040-01 | Tee union |
| 12 | 13-0079-03 | Drain Tube, MDT5N25 req. 39", MDT5N40 req. 46" |
| 13 | 13-0674-06 | Tubing |
| 14 | 13-0079-01 | Bin Drain Tube, req. 15" |
| 15 | 02-3692-21 | Drain Casting |
| 16 | 16-1039-01 | Male connector |

| ITEM NUMBER | PART NUMBER | DESCRIPTION |
|-------------|-------------|--|
| 17 | 16-0670-02 | Tee |
| 18 | A37804-001 | Reservoir bracket |
| 19 | 16-0871-01 | Brass insert |
| 20 | 13-0679-01 | Drain tube |
| 21 | 03-1531-01 | Screw |
| 22 | 02-2814-07 | Clamp |
| 23 | A32777-001 | Retaining Ring |
| 24 | 16-0835-01 | Inlet fitting for plastic |
| 25 | 02-0929-23 | Water Seal |
| 26 | 16-0670-04 | Tee |
| 27 | 02-3901-01 | MDT5N40 drain tube, replaces items 9, 12, 20, 26, 17 and 8 |
| | A38259-001 | MDT5N25 drain tube, replaces items 9, 12, 20, 26, 17 and 8 |
| 28 | A38260-001 | Reservoir inlet tubing replaces items 13, 8 and 7 |

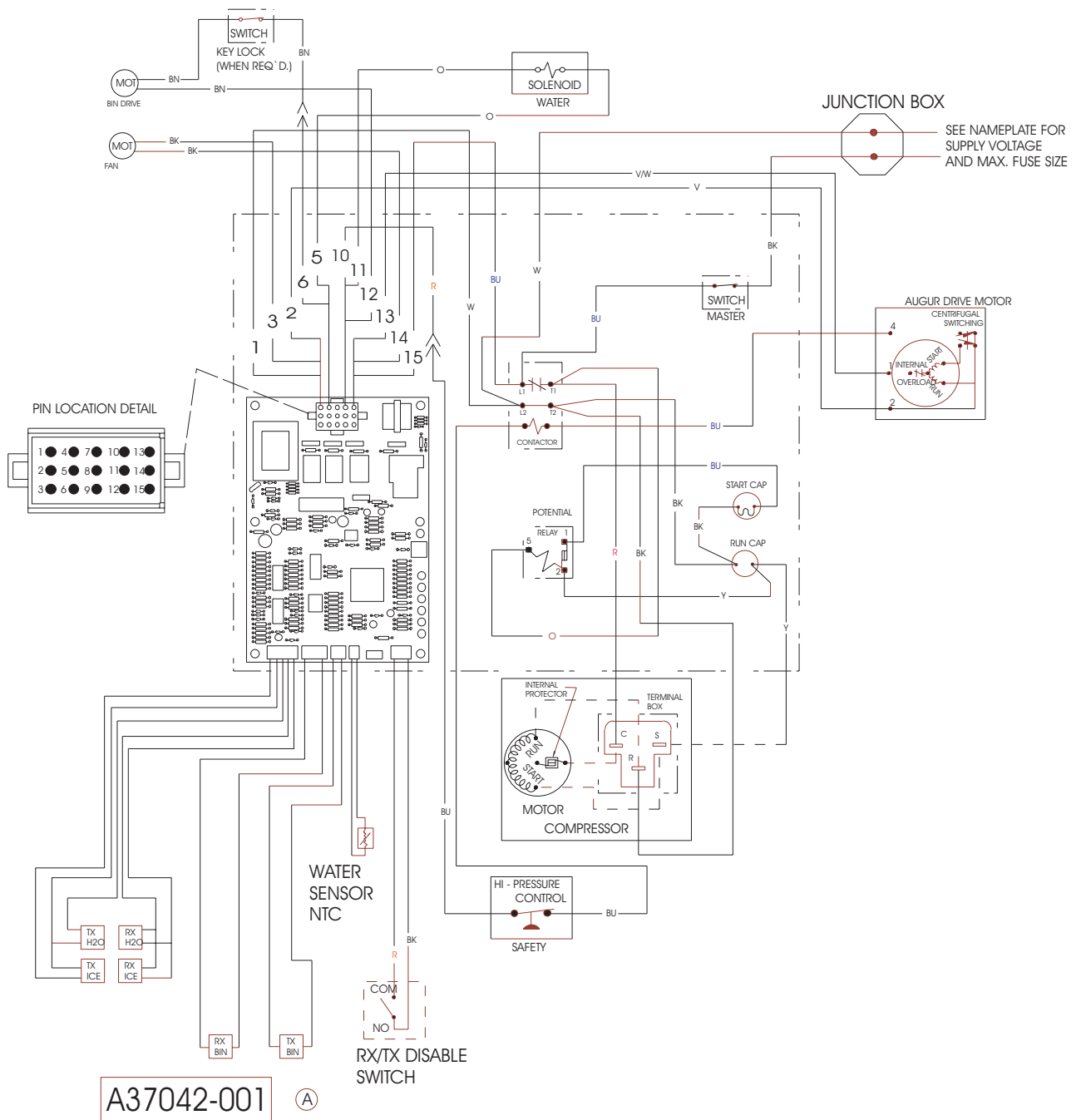
Note: Order tubing by the foot.

MDT5N25 & MTD5N40 SERVICE PARTS



USE COPPER CONDUCTORS ONLY.
 THIS UNIT MUST BE GROUNDING.
 ALL CONTROLS SHOWN IN NORMAL ICE
 MAKING MODE WITH ALL DISPENSING
 SYSTEMS IN OPERATION.

MDT5N25 & MTD5N40 SERVICE PARTS



MDT5N25 & MTD5N40 SERVICE PARTS

Wiring Diagram 230/50/1

