

M B M

**SPARE PARTS CATALOGUE
ERSATZTEILKATALOG
CATALOGUE PIECES DETACHEES
CATALOGO PARTI RICAMBIO
CATALOGO DE PIEZAS DE RECAMBIO
CATALOGO PEÇAS DE REPOSIÇÃO**

LK 621

12-10-2010

LK 621

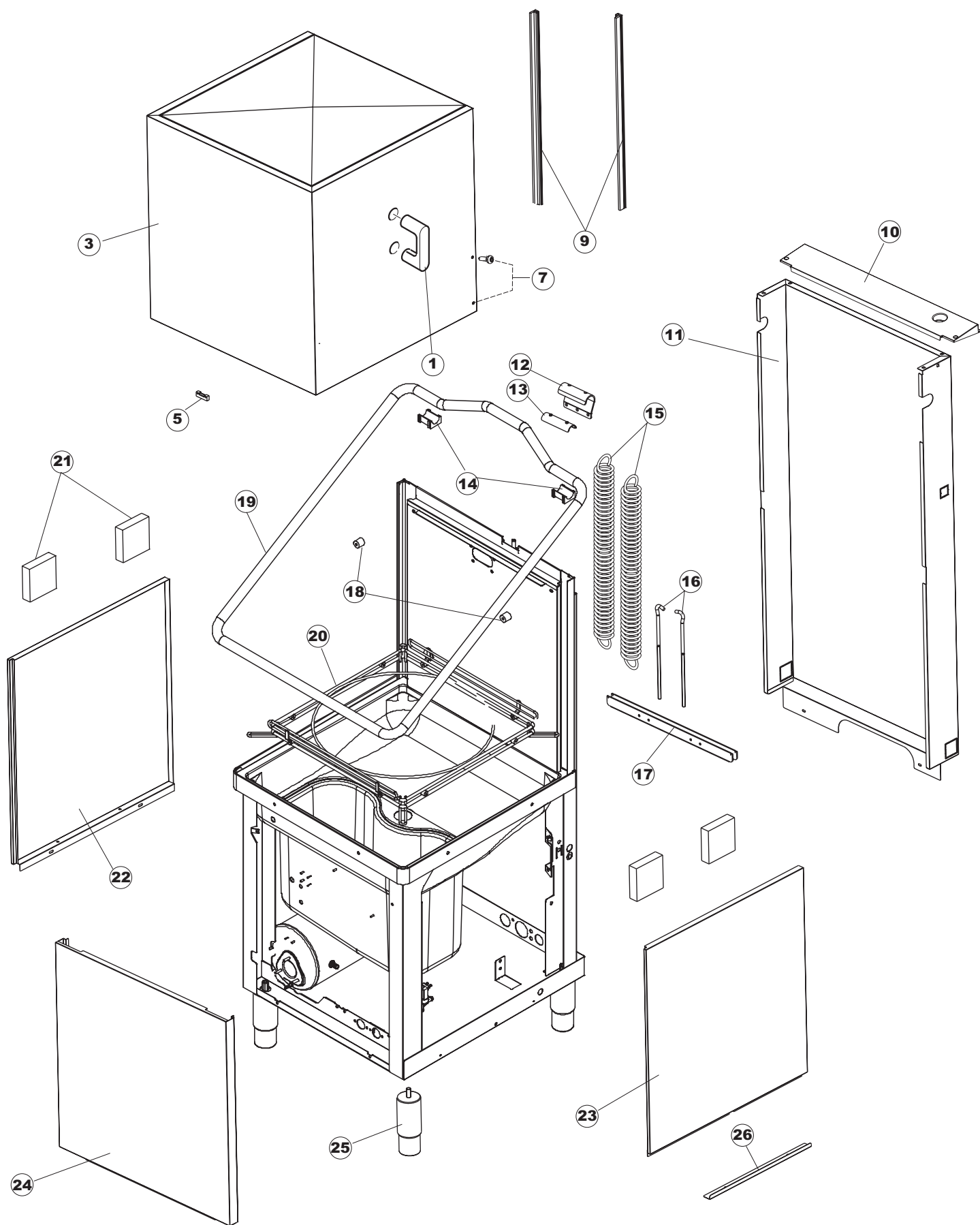
Tav.1: Carrozzeria
Tav.2: Impianto elettrico
Tav.3: Componenti in vasca
Tav.4: Circuito di lavaggio
Tav.5: Circuito di risciacquo
Tav.6: Lance di lavaggio
Tav.7: Pompa di lavaggio
Tav.8: Pompa di scarico

Tab.1: Carrocería
Tab.2: Instalación eléctrica
Tab.3: Componentes en cuba
Tab.4: Circuito de lavado
Tab.5: Circuito d'enjuague
Tab.6: Brazos de lavado
Tab.7: Bomba de lavado
Tab.8: Bomba de descarga

Taf.1: Verkleidung
Taf.2: Elektrische Anlage
Taf.3: Bauteile im Waschtank
Taf.4: Spuelschaltung
Taf.5: Nachspuelschaltung
Taf.6: Wascharmee
Taf.7: Spuelpumpe
Taf.8: Laugenpumpe

Tav.1: Machine body
Tav.2: Electrical components
Tav.3: Components in the tank
Tav.4: Washing circuit
Tav.5: Rinsing circuit
Tav.6: Washing arms
Tav.7: Washing pump
Tav.8: Draining pump

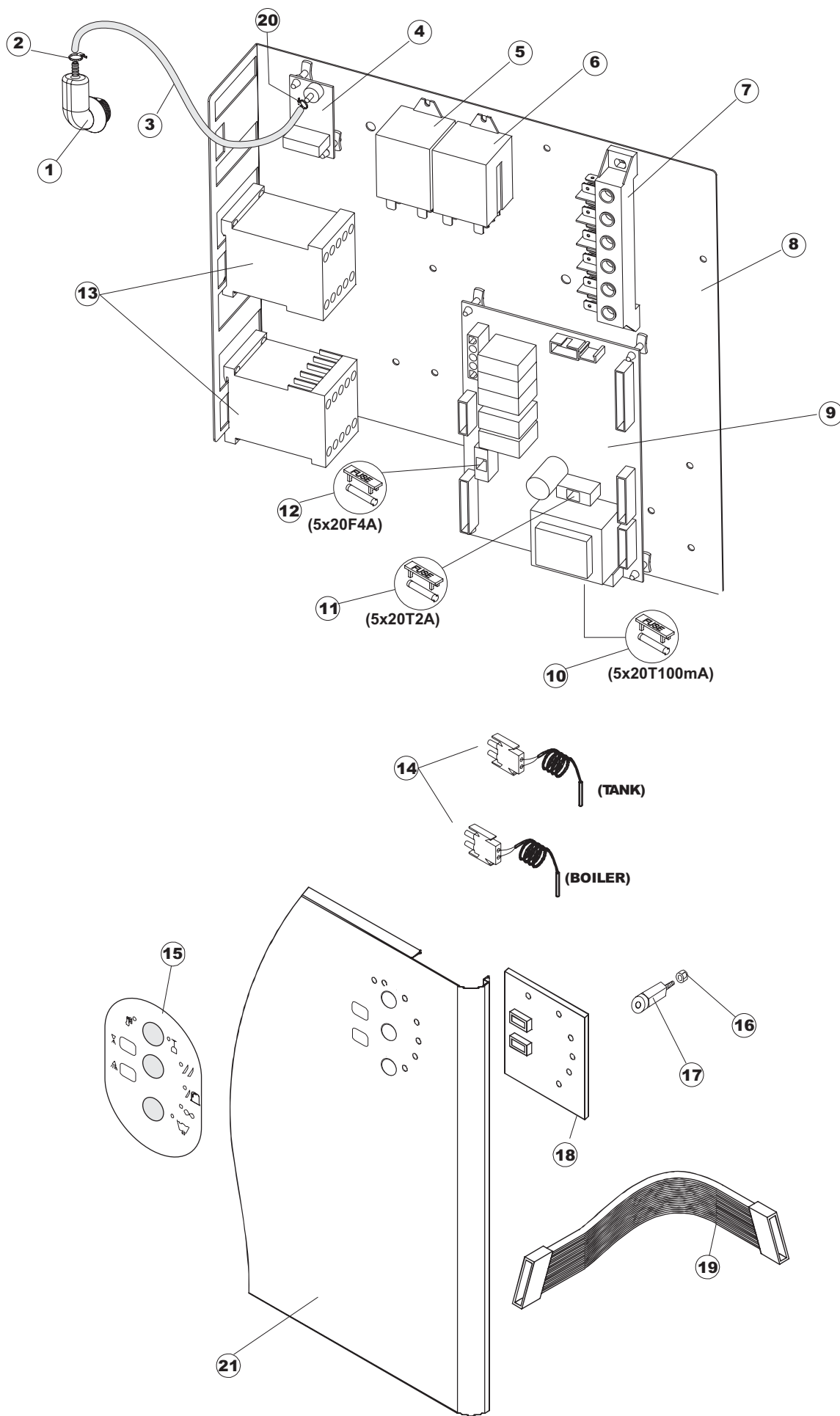
Tab.1: Carrosserie
Tab.2: Installation électrique
Tab.3: Composants de cuve
Tab.4: Circuit de lavage
Tab.5: Circuit de rinçage
Tab.6: Bras de lavage
Tab.7: Pompe de lavage
Tab.8: Pompe de vidange



Listino componenti per pagina 1

1	926243	PONTICELLO GRIGIO PER MANIGLIONE TIPO CO LGED PONTET GRIS POUR GRANDE POIGNEE' TYPE CO LGED BRUECHLEIN FUER GROSSEN HANDGRIFF TYP CO LGED - FAI BIG HANDLE GREY BRACKET - CLG TYPE PUENTE GRIS MANIJA TIPO CLG.	
3	80450	GRUPPO CAPPÀ SQUADRATA COIBENTATA CAPOT HAUBE KIT HOOD KIT CAPUCHA	
5	80871 <i>Recommended spare parts</i>	MICRO MAGNETICO CONTACTE MAGNETIQUE TUERKONTAKTSCHALTER MAGNETIC DOOR SWITCH CONTACTO MAGNETICO	
7	80998	VITE PLASTICA M4X6 (DIN933) GOLD VIS SCHRAUBE SCREW tornillo	
9	80068	GUIDA CAPOT GUIDE HOTTE BAHN HOOD DRIVE GUIA CAPOT	
10	80638	PANNELLO POSTERIORE SUPERIORE PANNEAU ARRIERE SUPERIOR HINTERE ABDECKUNGSPLATTE TOP BACK PANEL PANEL TRASERO SUPERIOR	
11	80162	PANNELLO POSTERIORE PANNEAU ARRIERE RUECKWAND BACK PANEL PANEL TRASERO	
12	80275	STAFFA AGGANCIO MOLLE ST - FINITA ETRIER ACCROCHAGE RESSORTS ST - COMPLET KOMPLETTE FEDER- AUFHAENGEVORRICHTUNG COIL HOOKING BRACKET - COMPLETE ESCUADRA	
13	80277	PATTINO AGGANCIO MOLLE PATIN ACCROCHAGE RESSORTS FEDERBEFESTIGUNGSSCHLITTE SPRING HOOKING SLIDE ESCUADRA	
14	80190	SQUADRA SUPP.MANIGLIONE EQUERRE BEF.WINKEL BRACKET ESCUADRA SOP. MANIJA	
15	926108	MOLLA ACCIAIO A TRAZIONE PER LAVASTOVI- RESSORT DE TRACTION EN ACIER POUR LAVE- ZUGFEDER AUS STAHL FUER GESCHIRRSPUELER EXTENSION STEEL SPRING FOR DISHWASHER MUELLE TRACC. CAPOTA f5. 5 121/.	
16	926009	GANCIO DI REGOLAZIONE MOLLE CAPPÀ CROCHET DE REGLAGE RESSORTS FEDER-EINSTELLUNGSHAKEN SPRING ADJUSTMENT HOOK GANCHO REGULACION MUELLE	
17	80023	SQUADRA EQUERRE BEF.WINKEL BRACKET ESCUADRA	
18	80105 <i>Recommended spare parts</i>	TAMPONE FERMA CAPPÀ SHOCK-ABSORBER FOR CAPOT PUFFER FÜR DURCHSCHUBSPÜLAUTOM. PARE-CHOCS CAPOT GUARDAGOLPES CAPOT	
19	80028	MANIGLIONE 20/10 (CAPPE COIBENTATE) GROS POIGNEE 20/10 (HOTTE ISOLÉE) BIG HANDGRIFF 20/10 HAUBE WAERMEDAEMMUNG BIG HANDLE 20/10 (INSULATED HOOD)	

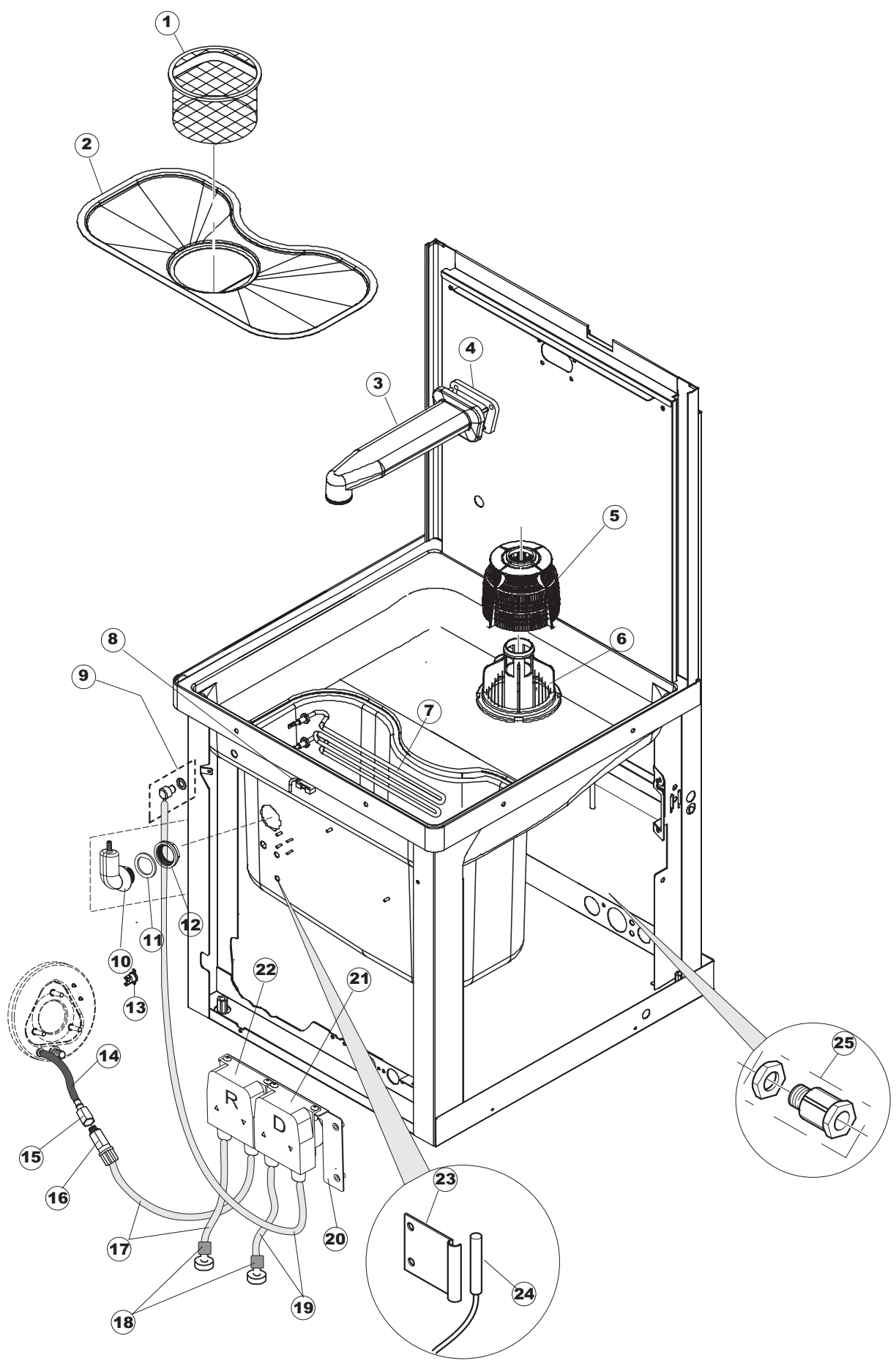
20	80240	TELAIO PORTACESTO SUPPORT PANIER RAHMEN RACK FRAME BASTIDOR PORTACESTA CAPOT D1000	
21	41042	TAMPONE ADESIVO TEMPON ADHÉSIF KLEBENPER SCHLEGER ADHESIVE PLUG ESPESORE ADHESIVO PANELES LATERALES LP	
22	80071	PANNELLO LATERALE SINISTRO PANNEAU LATERAL GAUCHE LINKEN SEITENWAND LEFT SIDE PANEL PANEL LATERAL IZQUIERDO	
23	80072	PANNELLO LATERALE DESTRO PANNEAU LATERAL DROITE REICHT SEITENWAND RIGHT SIDE PANEL PANEL LATERAL DERECHO	
24	80090	PANNELLO ANTERIORE PANNEAU AVANT VORDERPANEEL FRONT PANEL PANEL FRONTAL	
25	926117	PIEDE VERRIN FUESS FOOT PATA REGOLABILE X CAPOTA 3LINEA	
26	80078	STAFFA SOTTOPIANI GOLD PG FINITO console de support Stützwinkel support bracket ESC. FIJACION APOYOS SUPERFICIES GOLD PG	



Listino componenti per pagina 2

1	107012 <i><u>Recommended spare parts</u></i>	TRAPPOLA ARIA cloche de pression Glocke für druckschalter AIR TRAP for pressure switch CAMPANA PRESOSTATO	
2	CFF10073	FASCETTA FERMA CAVI Collier de serrage Kabelbinder CABLE TIE ABRAZADERA	
3	143253 <i><u>Recommended spare parts</u></i>	TUBO SILICONE TRASPARENTE 3X8 TUYAU SCHLAUCH PIPE MANGUITO	
4	224018 <i><u>Recommended spare parts</u></i>	SCHEDA ELETTRONICA "PRESSOSTATO" CARTE ELECTRONIQUE KARTE ELEKTRONIK MAIN BOARD TARJETA electrónica	
5	DER111 <i><u>Recommended spare parts</u></i>	RELE 30A 230AC 653182300300 RELAIS 30A 230AC 653182300300 RELAIS 30A 230AC 653182300300 RELAY 30A 230AC 653182300300 VER CODIGO 229029	
6	929115 <i><u>Recommended spare parts</u></i>	RELE 16A-230V RELAIS 16A 230V RELAIS 16A 230V RELAY 16A 230V RELE 16A 230V	
7	220011	MORSETTIERA bornier pour le raccordement anschlussterminal TERMINAL BLOCK bloque de terminales	
8	80459	PANNELLO COMPONENTI ELETTRICI PANNEAU COMPOSANTS ELECTRIQUES PANEEL FUER ELEKTRISCHE BAUELEMENTE WIRING PANEL PANEL COMPONENTES ELECTRICOS	
9	215032 <i><u>Recommended spare parts</u></i>	SCHEDA ELETTRONICA CARTE ELECTRONIQUE KARTE ELEKTRONIK MAIN BOARD TARJETA electrónica	
10	228012 <i><u>Recommended spare parts</u></i>	FUSIBILE 5X20 T160MA FUSIBLE Sicherung FUZE FISIBLE	
11	228011 <i><u>Recommended spare parts</u></i>	FUSIBILE 5X20 T2A FUSIBLE Sicherung FUZE FISIBLE	
12	228004 <i><u>Recommended spare parts</u></i>	FUSIBILE FUSIBLE Sicherung FUZE FISIBLE	
13	DTC112NO <i><u>Recommended spare parts</u></i>	CONTATTORE CONTACTEUR KONTAKTGEBER CONTACTOR CONTACTOR	
14	231016 <i><u>Recommended spare parts</u></i>	SONDA TEMPERATURA SONDE TEMPERATURFUHLER TEMPERATURE PROBE SONDA TEMPERATURA (AMPOLLA ACERO)	
15	69928	INTERFACCIA ADESIVA DI CONTROLLO INTERFACE ADHÉSIVE CONTRÔLE TASTATURFOLIEN CONTROL ADHESIVE INTERFACE INTERFAZ ADHESIVA DE CONTROL	

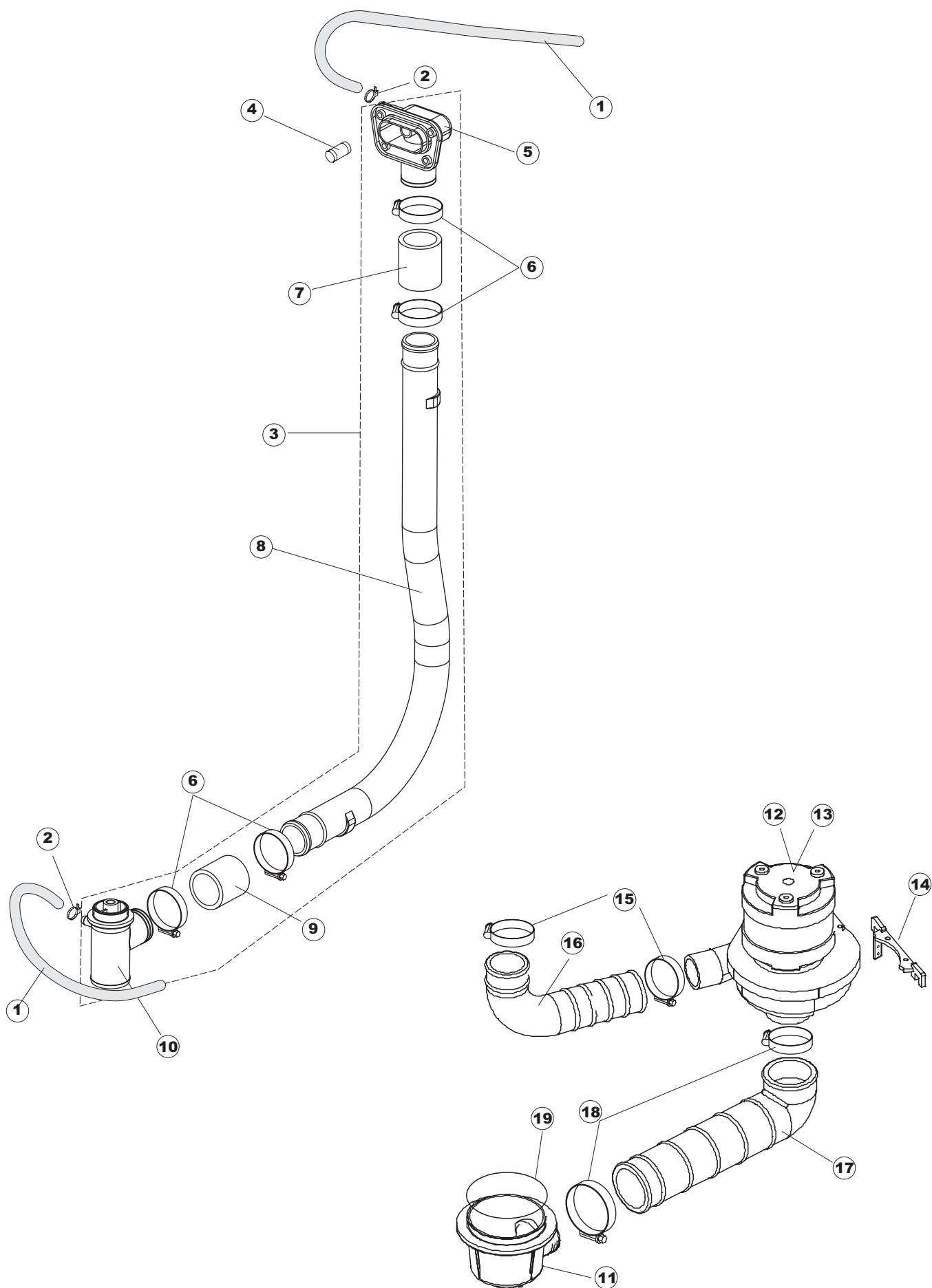
16	417119 <i><u>Recommended spare parts</u></i>	DADO ECROU MUTTER NUT TUERCA	
17	419036 <i><u>Recommended spare parts</u></i>	DISTANZIALI SCHEDA ENTRETOISE X CARTE ELECTRONIQUE ABSTANDSROHR INTERFACE BOARD DISTANCE KEEPERS DISTANCIADOR M3	
18	80889 <i><u>Recommended spare parts</u></i>	TASTIERA COMANDI touche clavier commande Tastaturbefehle CONTROL KEYBOARD TECLADO DE COMANDOS	
19	80934 <i><u>Recommended spare parts</u></i>	CAVO FLAT CABLE FLAT Flachbandkabel FLAT FLAT CABLE CABLE FLAT	
20	423030	FASCETTA SERRAGGIO TUBI Collier de serrage Schlauchschelle HOSE CLAMP ABRAZADERA	
21	80090	PANNELLO ANTERIORE PANNEAU AVANT VORDERPANEEL FRONT PANEL PANEL FRONTAL	



Listino componenti per pagina 3

1	80159	CESTELLO FILTRO VASCA PETIT CASIER POUR FILTRE TANK SIEN KORBEN TANK STRAINER BASKET CESTA FILTRO CUBETA	
2	80415	FILTRO FILTRE FILTER STAINER FILTRO	
3	80177 <i><u>Recommended spare parts</u></i>	COLLETTORE LAVAGGIO COLLECTEUR SAMMELLEITUNG MAINFOLD COLECTOR	
4	80178 <i><u>Recommended spare parts</u></i>	GUARNIZIONE JOINT DICHTUNG GASKET JUNTA	
5	121115	FILTRO PER POMPA LAVAGGIO FILTRE POMPE DE LAVAGE SIEB FUER WASCH-PUMPE DRAIN PUMP FILTER FILTRO BOMBA	
6	429038	GHIERA PER SEZIONE DI SCARICO DOUILLE GEWINDERING RING NUT CONTERA VIROLA	
7	80677 <i><u>Recommended spare parts</u></i>	RESISTENZA VASCA 2500 W 230V MONOFASE RÉSISTANCE DE CUVE TANKHEIZUNG TANK HEATING ELEMENT RESISTENCIA CUBA	
8	80871 <i><u>Recommended spare parts</u></i>	MICRO MAGNETICO CONTACTE MAGNETIQUE TUERKONTAKTSCHALTER MAGNETIC DOOR SWITCH CONTACTO MAGNETICO	
9	468151	RACCORDO DETERSIVO VASCA RACCORD EN ACIER INOXYDABLE ENTREE' ANSCHLUSSSTUECK AUS NICHTROSTENDEM STAINLESS STEEL INLET DETERGENT ELBOW, EMPALME ENTRADA JABON CPL NM * SOLDADO	
10	107012 <i><u>Recommended spare parts</u></i>	TRAPPOLA ARIA cloche de pression Glocke fur druckschalter AIR TRAP for pressure switch CAMPANA PRESOSTATO	
11	437098 <i><u>Recommended spare parts</u></i>	GUARNIZIONE JOINT DICHTUNG GASKET JUNTA	
12	417120 <i><u>Recommended spare parts</u></i>	DADO ECROU MUTTER NUT TUERCA	
13	926189 <i><u>Recommended spare parts</u></i>	TERMOSTATO 95°C THERMOSTAT DE SURETE' A CONTACT KONTAKT-SICHERUNGSTHERMOSTAT (236039) CONTACT SAFETY-THERMOSTAT (REPLACES TERMOSTATO CALENTADOR SEG. 95ø	
14	143005 <i><u>Recommended spare parts</u></i>	TUBO IN GOMMA TELATA 5X12 NERO TUYAU EN CAOUTCHOUC LIN 5X12 NOIR SCHLAUCH AUS LINENGUMMI 5X12 - SCHWARZ LINEN RUBBER PIPE 5X12 - BLACK TUBO PRES. TP 5x11 (CASER/15/NL C4N)	
15	468201	RACCORDO CALZATUBO PER INIEZ.BRILL. RACCORD ANSCHLUSSTEIL PIPE FITTING RECOGIDA	

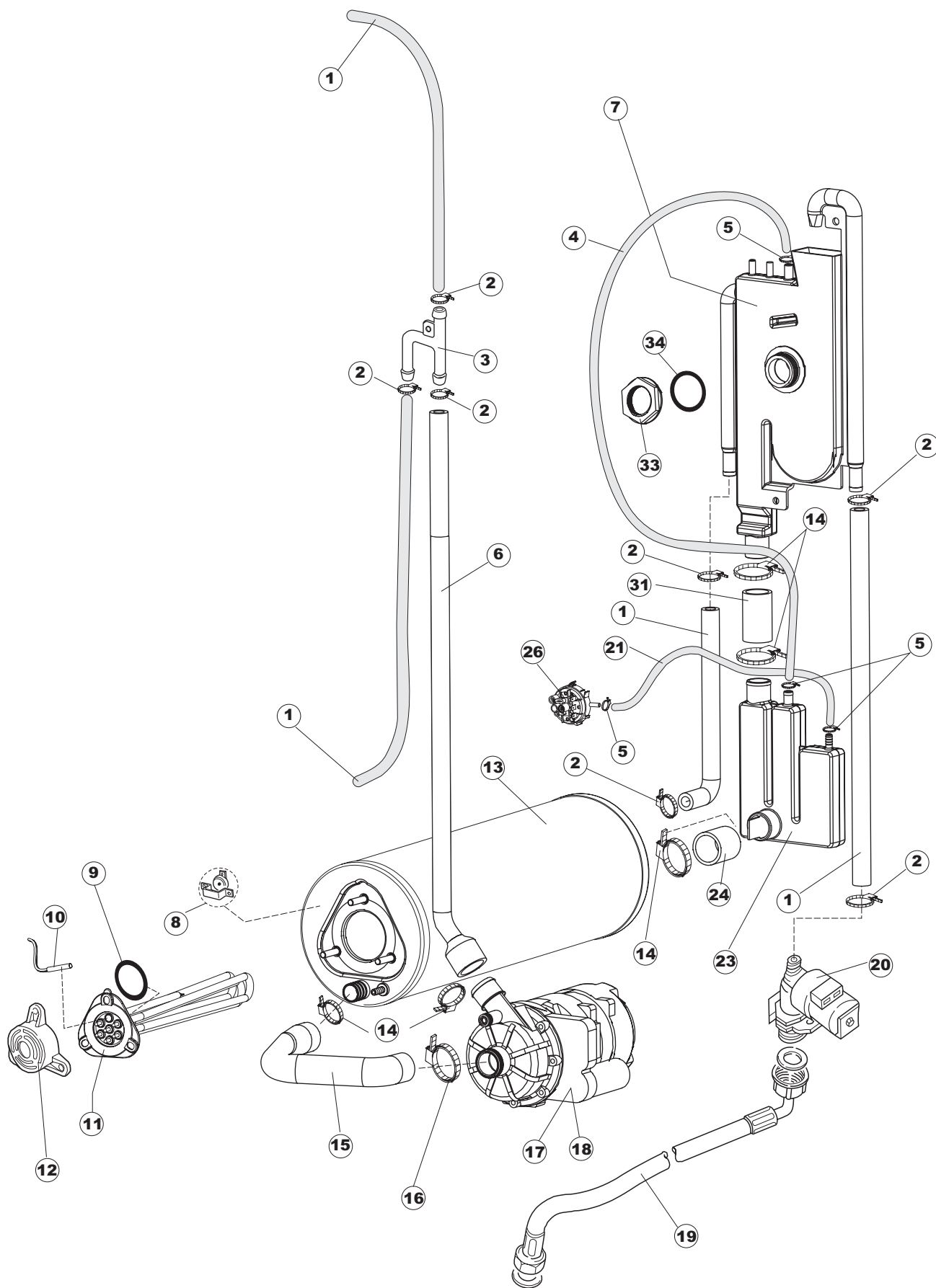
16	468200	RACCORD RACCORD ANSCHLUSSTEIL PIPE FITTING RECOGIDA	
17	H.775601 <i><u>Recommended spare parts</u></i>	TUBO 4x6 CRISTAL BLUE PVC TUYAU SCHLAUCH PIPE MANGUITO	
18	121075	FILTRO DETERSIVO FILTRE POUR POMPE DETERGENT SIEB FUER SPUELMITTELPUMPE DETERGENT PUMP FILTER (S6754) FILTRO ASPIR. INOX(775239-001)	
19	143194 <i><u>Recommended spare parts</u></i>	TUBO 4x6 CRISTAL TRASPARENTE TUYAU SCHLAUCH PIPE MANGUITO	
20	80952	STAFFA DOSATORI console de support Stützwinkel support bracket SOPORTE DOSIFICADORES PG ACABADO	
21	209022 <i><u>Recommended spare parts</u></i>	DOSATORE DETERGENTE distributeur de détergent Waschmittelschublade detergent dispenser dispensador de detergente	
22	209024 <i><u>Recommended spare parts</u></i>	DOSAT.PERIST.BRILLANT.NON REG.(NPG-0.4) DOSIFIC.PERIST. ABRILLANTADOR NO REG.	
23	H.775489-001	CLIP SONDA TEMPERATURA D5 soutien sonde de température Support-Temperaturfühler Support temperature probe Soporte sonda de temperatura	
24	231016 <i><u>Recommended spare parts</u></i>	SONDA TEMPERATURA SONDE TEMPERATURFUHLER TEMPERATURE PROBE SONDA TEMPERATURA (AMPOLLA ACERO)	
25	DEP521	PASSACAVO PRESSE ÉTOUPE KABELVERSCHRAUBUNG CABLE GLAND PASACABLES	



Listino componenti per pagina 4

1	143010	TUBO IN GOMMA 12X19,5 (FOOD QUALITY) TUYAU EN CAOUTCHOUC 12X19,5 GUMMISCHLAUCH 12X19,5 RUBBER PIPE 12X19,5 TUBO PRES. TP 12X19. 5	
2	927322	FASCETTA SERRAGGIO TUBI Collier de serrage Schlauchschele HOSE CLAMP ABRAZADERA	
3	80237	MANDATA LAVAGGIO GOLD COMPLETA DURITE WASCHAUSLASSROHR MAINFOLD CONDUCTO LAVADO PLASTICO RIVER	
4	441009 <i><u>Recommended spare parts</u></i>	GUARNIZIONE IN GOMMA RISCIAQUO JOINT DICHTUNG GASKET JUNTA	
5	80174	RACCORDO LAVAGGIO RACCORD ANSCHLUSSTEIL PIPE FITTING RECOGIDA	
6	CFS1A	FASCETTA SERRAGGIO TUBI Collier de serrage Schlauchschele HOSE CLAMP ABRAZADERA	
7	80189	MANICOTTO MANDATA LAVAGGIO tuyau de refoulement à laver Druckschlauch Wasch DELIVERY WASH HOSE MANGUITO LAVADO	
8	80238	TUBO MANDATA LAVAGGIO GOL71-74 TUYAU SCHLAUCH PIPE TUBO IMPULSION LAVADO CAPOT	
9	80189	MANICOTTO MANDATA LAVAGGIO tuyau de refoulement à laver Druckschlauch Wasch DELIVERY WASH HOSE MANGUITO LAVADO	
10	80179	RACCORDO LAV.INF. EST.GOLD(COL.NEUTRO) RACCORD ANSCHLUSSTEIL PIPE FITTING RECOGIDA	
11	136020 <i><u>Recommended spare parts</u></i>	CORPO ASPIRAZIONE E SCARICO CORPS D'ASPIRATION/VIDANGE ABSAUG-UND ABFLUSSKOERPER ASPIRATION AND DRAIN BODY CUERPO ASPIRACION/DESCARGA	
12	80113 <i><u>Recommended spare parts</u></i>	ELETTROPOMPA MOTOPOMPE MOTORPUMPE ELECTROPUMP ELECTROBOMBA	
13	80113HZ <i><u>Recommended spare parts</u></i>	POMPA LAVAGGIO POMPE DE LAVAGE WASCHPUMPE WASHPUMP bomba de lavado	
14	80545	STAFFA POMPA X 80112 & 80114 console de support Stützwinkel support bracket ménsula de soporte	
15	CFS2	FASCETTA TORRO W1/W2B 50-70/12 BANDE DE SERRAGE TORRO W1/W2B 50-70/12 SCHELLE, TORRO W1/W2B 50-70/12 CLAMP, TORRO W1/W2B 50-70/12 ABRAZADERA TORRO W1/W2B 50-70/12	

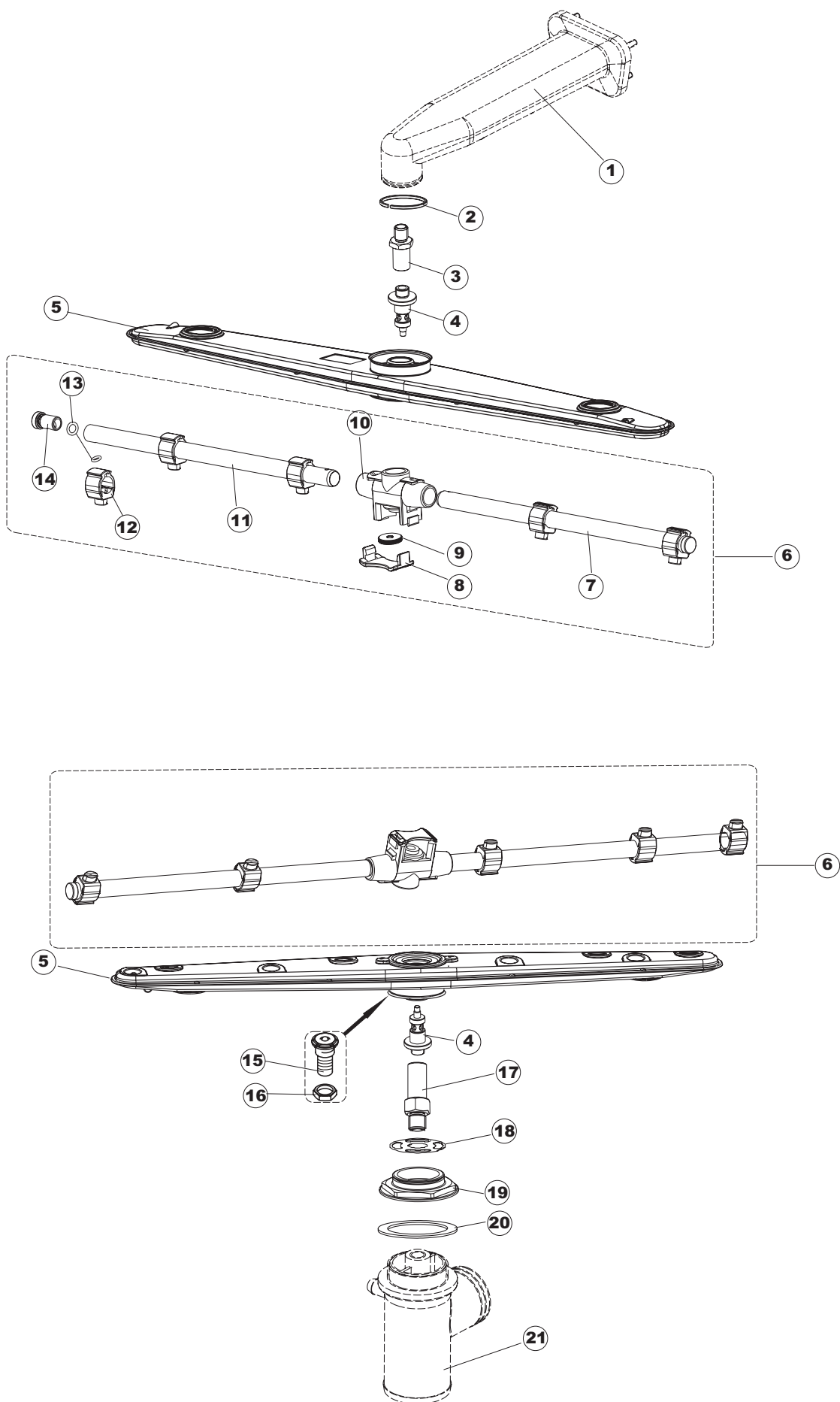
16	80188	MANICOTTO MANDATA LAVAGGIO tuyau de refoulement à laver Druckschlauch Wasch DELIVERY WASH HOSE MANGUITO LAVADO	
17	80186	MANICOTTO ASPIRAZIONE tuyau d'aspiration SAUGROHR suction pipe tubo de aspiración	
18	CFS3	FASCETTA A VITE TORRO W2B 60-80/12 BANDE DE SERRAGE A VIS TORRO W2B 60-80/12 SCHELLE, SCHRAUBE TORRO W2B 60-80/12 CLAMP, HOSE-TYPE TORRO W2B 60-80/12 ABRAZADERA CON TORNILLO TORRO W2B	
19	456040	guarnizione o-ring joint torique o-ring O-Ring-Dichtung O-ring junta tórica o-ring	



Listino componenti per pagina 5

1	143010	TUBO IN GOMMA 12X19,5 (FOOD QUALITY) TUYAU EN CAOUTCHOUC 12X19,5 GUMMISCHLAUCH 12X19,5 RUBBER PIPE 12X19,5 TUBO PRES. TP 12X19. 5	
2	927322	FASCETTA SERRAGGIO TUBI Collier de serrage Schlauchschele HOSE CLAMP ABRAZADERA	
3	143173 <i>Recommended spare parts</i>	RACCORDO Y RACCORD DE RINCAGE Y-STUECK RINSE MANIFOLD UNION ENJUAGUE PLAST. 35/40/50	
4	143005 <i>Recommended spare parts</i>	TUBO IN GOMMA TELATA 5X12 NERO TUYAU EN CAOUTCHOUC LIN 5X12 NOIR SCHLAUCH AUS LINENGUMMI 5X12 - SCHWARZ LINEN RUBBER PIPE 5X12 - BLACK TUBO PRES. TP 5x11 (CASER/15/NL C4N)	
5	423010	FASCETTA STRINGITUBO IPO TORRO 8-12/7.5 W1 COLLIER DE SERRAGE SCHLAUCHSCHELLE HOSE CLAMP ABRAZADERA	
5	423026	FASCETTA FERMA CAVI Collier de serrage Kabelbinder CABLE TIE ABRAZADERA	
6	41525	TUBO MANDATA RISCIAQUO TUYAU DE REFOULEMENT RINÇAGE (CRP) NACHSPUEL-FOERDERLEITUNG (CRP) RINSE DELIVERY TUBE(CRP) TUBO IMPULSION ENJUAGUE (CRP)	
7	144021	BREAKTANK BREAK TANK BREAK TANK BREAK TANK BREAK TANK	
8	926189 <i>Recommended spare parts</i>	TERMOSTATO 95°C THERMOSTAT DE SURETE' A CONTACT KONTAKT-SICHERUNGSTHERMOSTAT (236039) CONTACT SAFETY-THERMOSTAT (REPLACES TERMOSTATO CALENTADOR SEG. 95ø	
9	456002	guarnizione o-ring joint torique o-ring O-Ring-Dichtung O-ring junta tórica o-ring	
10	231016 <i>Recommended spare parts</i>	SONDA TEMPERATURA SONDE TEMPERATURFUHLER TEMPERATURE PROBE SONDA TEMPERATURA (AMPOLLA ACERO)	
11	80398 <i>Recommended spare parts</i>	RESISTENZA 9500W 230/400V RESISTANCE HEIZUNG HEATING ELEMENT RESISTENCIA	
12	69870	PROTEZIONE RESISTENZA BOILER PROTECTION RESISTANCE BOILER HEIZUNGSCHUETZ DES WARMWASSERBEREITERS BOILER HEATING ELEMENT PROTECTION PROTECCION RESISTENCIA CALENTADOR	
13	104061	BOILER CHAUDIÈRE WARMWASSERBEREITER BOILER CALDERIN	
14	CFS18	FASCETTA SERRAGGIO TUBI Collier de serrage Schlauchschele HOSE CLAMP ABRAZADERA	

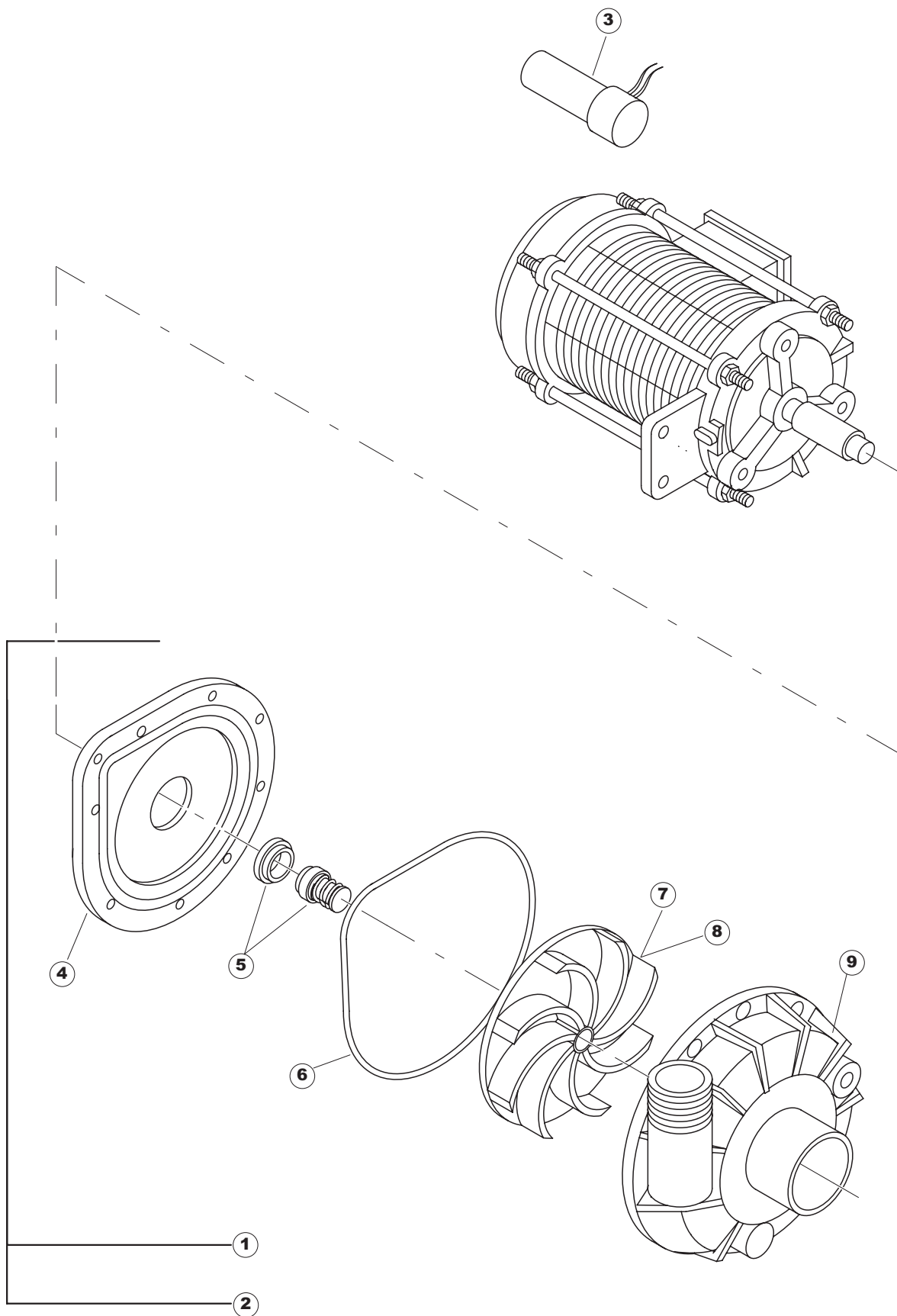
15	69068	TUBO MANDATA LAVAGGIO SUPERIORE CAPOT TUYAU SCHLAUCH PIPE MANGUITO ASPIRAC.CRP LA50	
16	423008	FASCETTA SERRAGGIO TUBI doppio filo con vite 25-29 Collier de serrage Schlauchschele HOSE CLAMP ABRAZADERA	
17	80627 <i><u>Recommended spare parts</u></i>	POMPA RISCIAQUO 50 Hz pompe rinçage 50 Hz spulen pumpe 50 Hz rinse pump 50 Hz bomba de aclarado 50 Hz	
18	80629 <i><u>Recommended spare parts</u></i>	POMPA RISCIAQUO 60 Hz pompe rinçage 60 Hz spulen pumpe 60 Hz rinse pump 60 Hz bomba de aclarado 60 Hz	
19	929169	TUBO DI CARICO TERMOPLASTICO TUYAU DE CHARGEMENT THERMOPLASTIQUE THERMOPLASTISCHER ZULAUF SCHLAUCH VDE THERMOPLASTIC INLET HOSE TUBO DE CARGA DEL TERMOPLASTICO	
20	240018 <i><u>Recommended spare parts</u></i>	ELETTROVALVOLA ELECTROVANNE Magnetspule SOLENOID VALVE ELECTROVALVULA	
21	143131	TUBO GOMMA 4X7MM TUYAU SCHLAUCH PIPE MANGUITO	
23	144027	SISTEMA CARICAMENTO CRP CON CAMP.PRESS. AIR GAP GEOFFNETER BEHAELTER PLASTIC AIRGAP SISTEMA CARGA CRP	
24	127095 <i><u>Recommended spare parts</u></i>	MANICOTTO BOILER MANCHON CHAUDIÈRE schlauch-WARMWASSERBEREITER BOILER PIPE MANGUITO PURGA CALDERIN	
26	224002 <i><u>Recommended spare parts</u></i>	PRESSOSTATO 110-60 PRESSOSTAT 110/60 DRUCKWAECHTER 110/60 PRESSURE SWITCH TYPE 110-60 PRESOSTATO - 110/60	
31	127096	MANICOTTO ASPIRAZIONE tuyau d'aspiration SAUGROHR suction pipe tubo de aspiración	
33	417125	DADO ECROU MUTTER NUT TUERCA	
34	437104	GUARNIZIONE D45D33S2 EPDM 70SH JOINT DICHTUNG GASKET JUNTA	



Listino componenti per pagina 6

1	80177 <i>Recommended spare parts</i>	COLLETORE LAVAGGIO COLLECTEUR SAMMELLEITUNG MAINFOLD COLECTOR	
2	80184	ANELLO TENUTA PER SUPP.LAVAGGIO BAGUE TEILERPLATTE SEALING RING ANILLO ESTANQ. PARA SOP.LAVADO	
3	80282	PERNO LANCIA IN ACCIAIO INOSSIDABILE PIVOT ZAPFEN PIVOT PERNO	
4	80380	PERNO LANCIA GIREVOLE PIVOT ZAPFEN PIVOT PERNO	
5	80311	BRACCIO COMPLETO LAVAGGIO BRAS DE LAVAGE COMPLET WASCH ARM KOMPLETTEN COMPLETE WASH ARM BRAZO LAVADO COMPLETO	
6	80370	BRACCIO RISCIAQUO BRAS DE RINCAGE SPULEN ARM RINSE ARM BRAZO ACLARADO	
7	80375	TUBO RISC.(2FORI)RIVER 80/81 TUYAU NACHSPUELSCHLAUCH - WASSERSAMMELLEITUNG- RINSE PIPE TUBO ENJUAGUE (2AGUJEROS)RIVER 80/81	
8	80374	VEDI CODICE 412030 CODE 412030 CODE 412030 CODE 412030 VER CODIGO 412030	
9	80365	GHIERA PERNO IN ACCIAIO INOSSIDABILE DOUILLE GEWINDERING RING NUT CONTERA VIROLA	
10	80371	CORPO BRACCIO CORPS BRAS Armkörper Waschen oder Spülen ARM BODY CUERPO BRAZO	
11	80376	TUBO RISC.(3FORI)RIVER 80/81 TUYAU NACHSPUELSCHLAUCH - WASSERSAMMELLEITUNG- RINSE PIPE TUBO ENJUAGUE (3AGUJEROS)RIVER 80/81	
12	80373	SPRUZZATORE RISCIAQUO GICLEUR RINCAGE SPRITZDÜSE, NACHSPÜLEN SPRAYER, RINSE VER CODIGO 140028	
13	CGR106	O-RING 106 GOMMA NITR. (6,75 X 1,78 NBR) O-RING 106 CAOUTCHOUC NITRYLE (6,75 X 1,78 NBR) O-RING 106 NITRILGUMMI (6,75 X 1,78 NBR) O-ring 106 NITRILE RUBBER (6,75 X 1,78 NBR) VER CODIGO 456030	
14	926132	TAPPO PL.X BRACCIO DI RISC.(DWT312) EMBOUT EN PLASTIQUE POUR RAMPE DE RINC. ZAPFEN PLASTIC RINSE ARM CAP TAPON PL. X BRAZO DE ENJUAGUE (DWT312)	
15	80310	SUPPORTO BRACCIO SUPPORT RAMPE DE LAVAGE GRIS (RAL7001) WASCHARMHALTER - GRAU (RAL 7001) GREY WASH ARM JOURNAL BOX (RAL 7001) SOPORTE LANC/LAVADO (RAL7001)	

16	80314	GHIERA LANCIA LAVAGGIO DOUILLE GEWINDERING RING NUT CONTERA VIROLA	
17	80283	PERNO INFERIORE INFÉRIEUR PIVOT UNTEN ZAPFEN BOTTOM PIVOT PERNO INFERIOR	
18	80316	PARZIALIZZATORE LAVAGGIO CAPOT DISQUE REDUCTEUR DRUCKVERTEILERPLATTE FLOW REDUCER PARCIALIZADOR	
19	80281	GHIERA LAVAGGIO INFERIORE INTERNA DOUILLE GEWINDERING RING NUT CONTERA VIROLA	
20	80182	GUARNIZIONE MANDATA JOINT DICHTUNG GASKET JUNTA	
21	80179	RACCORDO LAV.INF. EST.GOLD(COL.NEUTRO) RACCORD ANSCHLUSSTEIL PIPE FITTING RECOGIDA	

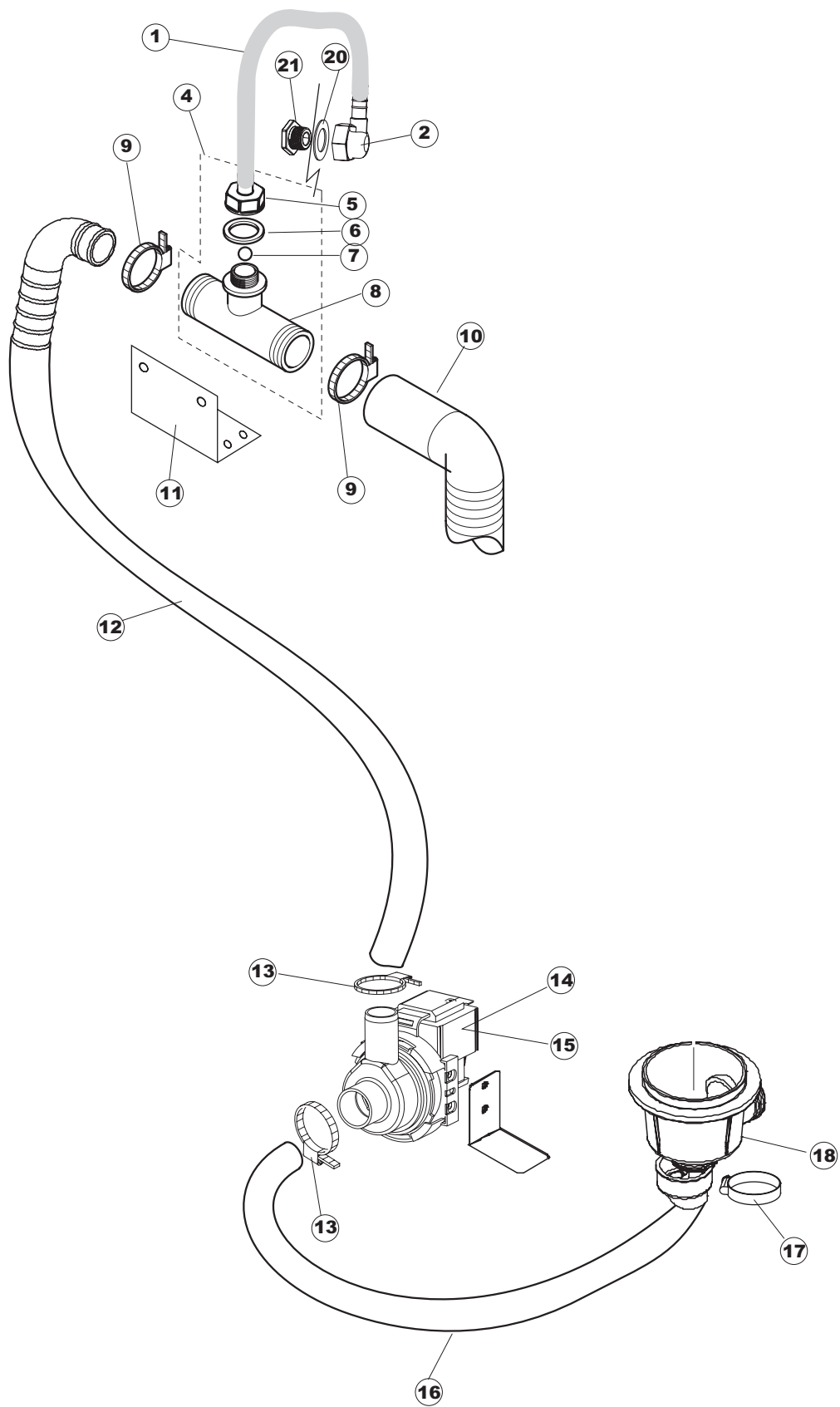


(ZF400S02287)

LK 621

Listino componenti per pagina 7

1	80113 <i><u>Recommended spare parts</u></i>	ELETTROPOMPA MOTOPOMPE MOTORPUMPE ELECTROPUMP ELECTROBOMBA	
2	80113HZ <i><u>Recommended spare parts</u></i>	POMPA LAVAGGIO POMPE DE LAVAGE WASCHPUMPE WASHPUMP bomba de lavado	
3	206005 <i><u>Recommended spare parts</u></i>	CONDENSATORE CONDENSEUR KONDENSATOR CAPACITOR CONDENSADOR	
4	80842	FLANGIA BRIDE FLANSCH FLANGE BRIDA	
5	80843	TENUTA MECCANICA COMPLETA PER POMPA DI ETANCHEITE MECHANIQUE POUR MOTOPOMPE MECHANISCHE DICHTUNG WASHPUMP SHAFT SEAL SELLO MECANICO PARA ELECTROBOMBA	
6	80844	GUARNIZIONE POMPA LAVAGGIO JOINT POMPE PUMPEDICHTUNG GASKET WASH PUMP JUNTA BOMBA LAVADO	
7	80845	GIRANTE ELETTROPOMPA IMPULSEUR MOTOPOMPE FLUEGELRAD FUER MOTORPUMPE ELECTROPUMP IMPELLER ROTOR PARA ELECTROBOMBA	
8	80845HZ	GIRANTE ELETTROPOMPA IMPULSEUR MOTOPOMPE FLUEGELRAD FUER MOTORPUMPE ELECTROPUMP IMPELLER ROTOR PARA ELECTROBOMBA	
9	80846	CHIOCCIOLA ELETTROPOMPA couvercle de la turbine PUMPENGEHAEUSE ELECTROPUMP HOUSING ESPIRAL PARA ELECTROBOMBA	



Listino componenti per pagina 8

1	H.775611-001	TUBO PVC CRISTALLO 10X14 TUYAU SCHLAUCH PIPE MANGUITO	
2	468165	ATTACCO TUBO RISCACQUO SUPERIORE CONNEXION TUYAU SUPERIEUR DE RINCAGE ANSCHLUSSROHR DER NACHSPUELUNG - OBEN UPPER RINSE PIPE CONNECTOR PIPA EMPALME PLASTICO 35/40/22	
4	144993	GRUPPO VALVOLA DI SFIATO CLAPET ANTI-RETOUR Rückschlagventil NO RETURN VALVE VÁLVULA DE RETENCIÓN	
5	468205	RACCORDO VALVOLA SFIATO raccord de tuyau Rohrfitting PIPE CONNECTION EMPALME VALVULA ALIVIAD. LA50 SUAVIZ.	
6	456015	guarnizione o-ring joint torique o-ring O-Ring-Dichtung O-ring junta tórica o-ring	
7	476008	SFERA.VALVOLA.LA50.HOST.D=5/16" SPHERE KUGEL SPHERE ESFERA	
8	144024	VALVOLA SFIATO SOUPAPE DE SOUPIRAL LUFTLOCH-VENTIL VENT VALVE VALVULA ALIVIAD. DESCARGA INT.CUBETA	
9	CFS1	FASCETTA SERRAGGIO TUBI Collier de serrage Schlauchschele HOSE CLAMP ABRAZADERA	
10	143137	TUBO SCARICO D18 TERM.LE CURVO TUYAU DE VIDANGE ABFLUSSSCHLAUCH DRAIN HOSE TUBO DESCARGA	
11	80637	STAFFA SCARICO PARZIALE console de support Stützwinkel support bracket ménsula de soporte	
12	80702	TUBO SCARICO D19 TUYAU DE VIDANGE ABFLUSSSCHLAUCH DRAIN HOSE TUBO DESCARGA	
13	CFS18	FASCETTA SERRAGGIO TUBI Collier de serrage Schlauchschele HOSE CLAMP ABRAZADERA	
14	80117	POMPA DI SCARICO POMPE DE VIDANGE ABFLUSSPUMPE DRAIN PUMP BOMBA DESAGUE	
15	80117HZ	ELETTROPOMPA SCARICO 220-240V/60HZ MONOFASE 40W ELECTROPOMPE DE VIDANGE 240V/60HZ EL. LAUGENPUMPE 240V/60HZ EL. BOOSTER PUMP 240V/60HZ BOMBA DESAGUE 240V/60HZ VER 80117 UL	
16	127056	MANICOTTO DI ASPIRAZIONE POMPA MANCHON D'ASPIRATION POMPE ABSAUGUNGSMUFFE DER PUMPE PUMP ASPIRATION SLEEVE MANGUITO ASP. P. S. VICT. 32	

17	CFS1A	FASCETTA SERRAGGIO TUBI Collier de serrage Schlauchschelle HOSE CLAMP ABRAZADERA	
18	136020 <i><u>Recommended spare parts</u></i>	CORPO ASPIRAZIONE E SCARICO CORPS D'ASPIRATION/VIDANGE ABSAUG-UND ABFLUSSKOERPER ASPIRATION AND DRAIN BODY CUERPO ASPIRACION/DESCARGA	
20	75402	GUARNIZIONE RACCORDO RISCIAQUO JOINT RACCORD RINCAGE DICHUNG ABWASCHE ANSCHLUSS RINSE PIPE GASKET JUNTA EMPALME ENJUAGUE	
21	429075	GHIERA SFIATO DOUILLE GEWINDERING RING NUT CONTERA VIROLA	

RECOMMENDED SPARE PARTS

PAG 1	POS 5	COD 80871	MICRO MAGNETICO CONTACTE MAGNETIQUE TUERKONTAKTSCHALTER MAGNETIC DOOR SWITCH CONTACTO MAGNETICO
PAG 1	POS 18	COD 80105	TAMPONE FERMA CAPP SHOCK-ABSORBER FOR CAPOT PUFFER FÜR DURCHSCHUBSPÜLAUTOM. PARE-CHOCS CAPOT GUARDAGOLPES CAPOT
PAG 2	POS 1	COD 107012	TRAPPOLA ARIA cloche de pression Glocke für druckschalter AIR TRAP for pressure switch CAMPANA PRESOSTATO
PAG 2	POS 3	COD 143253	TUBO SILICONE TRASPARENTE 3X8 TUYAU SCHLAUCH PIPE MANGUITO
PAG 2	POS 4	COD 224018	SCHEDA ELETTRONICA "PRESSOSTATO" CARTE ELECTRONIQUE KARTE ELEKTRONIK MAIN BOARD TARJETA electrónica
PAG 2	POS 5	COD DER111	RELE 30A 230AC 653182300300 RELAIS 30A 230AC 653182300300 RELAIS 30A 230AC 653182300300 RELAY 30A 230AC 653182300300 VER CODIGO 229029
PAG 2	POS 6	COD 929115	RELE 16A-230V RELAIS 16A 230V RELAIS 16A 230V RELAY 16A 230V RELE 16A 230V
PAG 2	POS 9	COD 215032	SCHEDA ELETTRONICA CARTE ELECTRONIQUE KARTE ELEKTRONIK MAIN BOARD TARJETA electrónica
PAG 2	POS 10	COD 228012	FUSIBILE 5X20 T160MA FUSIBLE Sicherung FUZE FISIBLE
PAG 2	POS 11	COD 228011	FUSIBILE 5X20 T2A FUSIBLE Sicherung FUZE FISIBLE
PAG 2	POS 12	COD 228004	FUSIBILE FUSIBLE Sicherung FUZE FISIBLE
PAG 2	POS 13	COD DTC112NO	CONTATTORE CONTACTEUR KONTAKTGEBER CONTACTOR CONTACTOR
PAG 2	POS 14	COD 231016	SONDA TEMPERATURA SONDE TEMPERATURFUHLER TEMPERATURE PROBE SONDA TEMPERATURA (AMPOLLA ACERO)
PAG 2	POS 16	COD 417119	DADO ECROU MUTTER NUT TUERCA
PAG 2	POS 17	COD 419036	DISTANZIALI SCHEDA ENTRETOISE X CARTE ELECTRONIQUE ABSTANDSROHR INTERFACE BOARD DISTANCE KEEPERS DISTANCIADOR M3
PAG 2	POS 18	COD 80889	TASTIERA COMANDI touche clavier commande Tastaturbefehle CONTROL KEYBOARD TECLADO DE COMANDOS

RECOMMENDED SPARE PARTS

PAG 2	POS 19	COD 80934	CAVO FLAT CABLE FLAT Flachbandkabel FLAT FLAT CABLE CABLE FLAT
PAG 3	POS 3	COD 80177	COLLETTORE LAVAGGIO COLLECTEUR SAMMELLEITUNG MAINFOLD COLECTOR
PAG 3	POS 4	COD 80178	GUARNIZIONE JOINT DICHTUNG GASKET JUNTA
PAG 3	POS 7	COD 80677	RESISTENZA VASCA 2500 W 230V MONOFASE RÉSISTANCE DE CUVE TANKHEIZUNG TANK HEATING ELEMENT RESISTENCIA CUBA
PAG 3	POS 8	COD 80871	MICRO MAGNETICO CONTACTE MAGNETIQUE TUERKONTAKTSCHALTER MAGNETIC DOOR SWITCH CONTACTO MAGNETICO
PAG 3	POS 10	COD 107012	TRAPPOLA ARIA cloche de pression Glocke für druckschalter AIR TRAP for pressure switch CAMPANA PRESOSTATO
PAG 3	POS 11	COD 437098	GUARNIZIONE JOINT DICHTUNG GASKET JUNTA
PAG 3	POS 12	COD 417120	DADO ECROU MUTTER NUT TUERCA
PAG 3	POS 13	COD 926189	TERMOSTATO 95°C THERMOSTAT DE SURETE' A CONTACT KONTAKT-SICHERUNGSTHERMOSTAT (236039) CONTACT SAFETY-THERMOSTAT (REPLACES TERMOSTATO CALENTADOR SEG. 95ø
PAG 3	POS 14	COD 143005	TUBO IN GOMMA TELATA 5X12 NERO TUYAU EN CAOUTCHOUC LIN 5X12 NOIR SCHLAUCH AUS LINENGUMMI 5X12 - SCHWARZ LINEN RUBBER PIPE 5X12 - BLACK TUBO PRES. TP 5x11 (CASER/15/NL C4N)
PAG 3	POS 17	COD H.775601	TUBO 4x6 CRISTAL BLUE PVC TUYAU SCHLAUCH PIPE MANGUITO
PAG 3	POS 19	COD 143194	TUBO 4x6 CRISTAL TRASPARENTE TUYAU SCHLAUCH PIPE MANGUITO
PAG 3	POS 21	COD 209022	DOSATORE DETERGENTE distributeur de détergent Waschmittelschublade detergent dispenser dispensador de detergente
PAG 3	POS 22	COD 209024	DOSAT.PERIST.BRILLANT.NON REG.(NPG-0.4) DOSIFIC.PERIST. ABRILLANTADOR NO REG.
PAG 3	POS 24	COD 231016	SONDA TEMPERATURA SONDE TEMPERATURFUHLER TEMPERATURE PROBE SONDA TEMPERATURA (AMPOLLA ACERO)
PAG 4	POS 4	COD 441009	GUARNIZIONE IN GOMMA RISCIAQUO JOINT DICHTUNG GASKET JUNTA

RECOMMENDED SPARE PARTS

PAG 4	POS 11	COD 136020	CORPO ASPIRAZIONE E SCARICO CORPS D'ASPIRATION/VIDANGE ABSAUG-UND ABFLUSSKOERPER ASPIRATION AND DRAIN BODY CUERPO ASPIRACION/DESCARGA
PAG 4	POS 12	COD 80113	ELETTROPOMPA MOTOPOMPE MOTORPUMPE ELECTROPUMP ELECTROBOMBA
PAG 4	POS 13	COD 80113HZ	POMPA LAVAGGIO POMPE DE LAVAGE WASCHPUMPE WASHPUMP bomba de lavado
PAG 5	POS 3	COD 143173	RACCORDO Y RACCORD DE RINCAGE Y-STUECK RINSE MANIFOLD UNION ENJUAGUE PLAST. 35/40/50
PAG 5	POS 4	COD 143005	TUBO IN GOMMA TELATA 5X12 NERO TUYAU EN CAOUTCHOUC LIN 5X12 NOIR SCHLAUCH AUS LINENGUMMI 5X12 - SCHWARZ LINEN RUBBER PIPE 5X12 - BLACK TUBO PRES. TP 5x11 (CASER/15/NL C4N)
PAG 5	POS 8	COD 926189	TERMOSTATO 95°C THERMOSTAT DE SURETE' A CONTACT KONTAKT-SICHERUNGSTHERMOSTAT (236039) CONTACT SAFETY-THERMOSTAT (REPLACES TERMOSTATO CALENTADOR SEG. 95ø
PAG 5	POS 10	COD 231016	SONDA TEMPERATURA SONDE TEMPERATURFUHLER TEMPERATURE PROBE SONDA TEMPERATURA (AMPOLLA ACERO)
PAG 5	POS 11	COD 80398	RESISTENZA 9500W 230/400V RESISTANCE HEIZUNG HEATING ELEMENT RESISTENCIA
PAG 5	POS 17	COD 80627	POMPA RISCIAQUO 50 Hz pompe rinçage 50 Hz spulen pumpe 50 Hz rinse pump 50 Hz bomba de aclarado 50 Hz
PAG 5	POS 18	COD 80629	POMPA RISCIAQUO 60 Hz pompe rinçage 60 Hz spulen pumpe 60 Hz rinse pump 60 Hz bomba de aclarado 60 Hz
PAG 5	POS 20	COD 240018	ELETTROVALVOLA ELECTROVANNE Magnetspule SOLENOID VALVE ELECTROVALVULA
PAG 5	POS 24	COD 127095	MANICOTTO BOILER MANCHON CHAUDIÈRE schlauch-WARMWASSERBEREITER BOILER PIPE MANGUITO PURGA CALDERIN
PAG 5	POS 26	COD 224002	PRESSOSTATO 110-60 PRESSOSTAT 110/60 DRUCKWAECHTER 110/60 PRESSURE SWITCH TYPE 110-60 PRESOSTATO - 110/60
PAG 6	POS 1	COD 80177	COLLETTORE LAVAGGIO COLLECTEUR SAMMELLEITUNG MAINFOLD COLECTOR
PAG 7	POS 1	COD 80113	ELETTROPOMPA MOTOPOMPE MOTORPUMPE ELECTROPUMP ELECTROBOMBA
PAG 7	POS 2	COD 80113HZ	POMPA LAVAGGIO POMPE DE LAVAGE WASCHPUMPE WASHPUMP bomba de lavado

RECOMMENDED SPARE PARTS

PAG 7	POS 3	COD 206005	CONDENSATORE CONDENSEUR KONDENSATOR CAPACITOR CONDENSADOR	
PAG 8	POS 14	COD 80117	POMPA DI SCARICO POMPE DE VIDANGE ABFLUSSPUMPE DRAIN PUMP BOMBA DESAGUE	
PAG 8	POS 15	COD 80117HZ	ELETTROPOMPA SCARICO 220-240V/60HZ MONOFASE 40W ELECTROPOMPE DE VIDANGE 240V/60HZ EL. LAUGENPUMPE 240V/60HZ EL. BOOSTER PUMP 240V/60HZ BOMBA DESAGUE 240V/60HZ VER 80117 UL	
PAG 8	POS 18	COD 136020	CORPO ASPIRAZIONE E SCARICO CORPS D'ASPIRATION/VIDANGE ABSAUG-UND ABFLUSSKOERPER ASPIRATION AND DRAIN BODY CUERPO ASPIRACION/DESCARGA	