

RACK CONVEYOR MACHINE

TYPE: 25

Accessories

HEAT RECOVERY - TR98

STEAM CONDENSER - LC 91

CONVEYOR SPEED ADJUSTING- LC 101

90° MOTORIZED CHAIN CONVEYOR - LC 97/2

180° MOTORIZED CHAIN CONVEYOR - LC 97/3

DRYER WITH 90° MOTORIZED CHAIN CONVEYOR - LC 97/4

DRYER WITH 180° MOTORIZED CHAIN CONVEYOR - LC 97/5

DRYER - LC 90

DRYER - LC 90/2

DRYER - LC 90/4

ADDITIONAL BOILER FOR COLD WATER SUPPLY

DVGW VALVE SYSTEM

SPLASH ZONE WITH CILINDER - LC 94

TANKS INSULATION

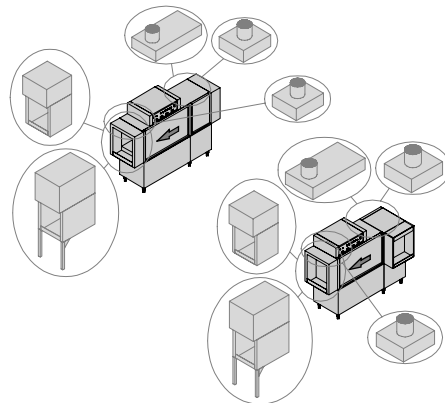
DOUBLE SKIN

BOOSTER PUMP

DISPENSERS SYSTEM SDN-3

ANGLE LOADING TABLE - LC 98

Spare parts manual



1. Spare parts

Control Panel	7
Control Panel	9
Electric parts.....	11
Machine structure in module	15
Machine structure in modules	17
Prewashing module 600	19
Angle prewashing module 600	21
Washing module 1300	23
Economizer components	25
Curtains group components	27
Inverter	29
Time relay	31
Heat recovery TR98 - part 1	33
Heat recovery TR98 - part 2	35
Heat recovery TR98 - part 3	37
Dryer LC 90 - LC 90/2 (6 - 12kW) - part 1	39

Dryer LC 90/4 (18kW) - part 1	41
Dryer LC 90 (6kW) - part 2	43
Dryer LC 90/2 (12kW) - part 2	45
Dryer LC 90/4 (18kW) - part 2	47
Dryer LC 90 - LC 90/2 -LC 90/4 (6 - 12 - 18kW) - electric components	49
Motorized curve 90° - LC 97/2	51
Dryer motorized curve 90° - LC 97/4	53
Motorized curve 90° - LC 97/2: electric parts	55
Motorized curve 90° - LC 97/2: electric parts double speed - remote control	57
Motorized curve 180° - LC 97/3	59
Dryer motorized curve 180° - LC 97/5	61
Motorized curve 180° - LC 97/3: electric parts	63
Motorized curve 180° - LC 97/3: electric parts double speed - remote control	65
Steam condenser - part 1	67
Steam condenser - part 2	69
Steam condenser - part 3 [.....	71
Additional boiler components	73
Additional boiler: electrical components	75

DVGW valve	77
Motorgear components module 1300	79
Prewashing components 3+1	81
Prewashing components 3+2	83
Washing components 5+3	85
Washing components 4+3	87
Internal components prewashing module 600	89
Internal components washing module 1300	91
Rinsing components	93
Boiler components	95
Solenoid valves components	97
Solenoid valves components	97
Solenoid valves components	99
Solenoid valves components	101
Conveyor parts	103
Conveyor parts	105
Splash zone with cilinder - LC 94	107
Tank insulation	109
Tank insulation	111
Double skin	113

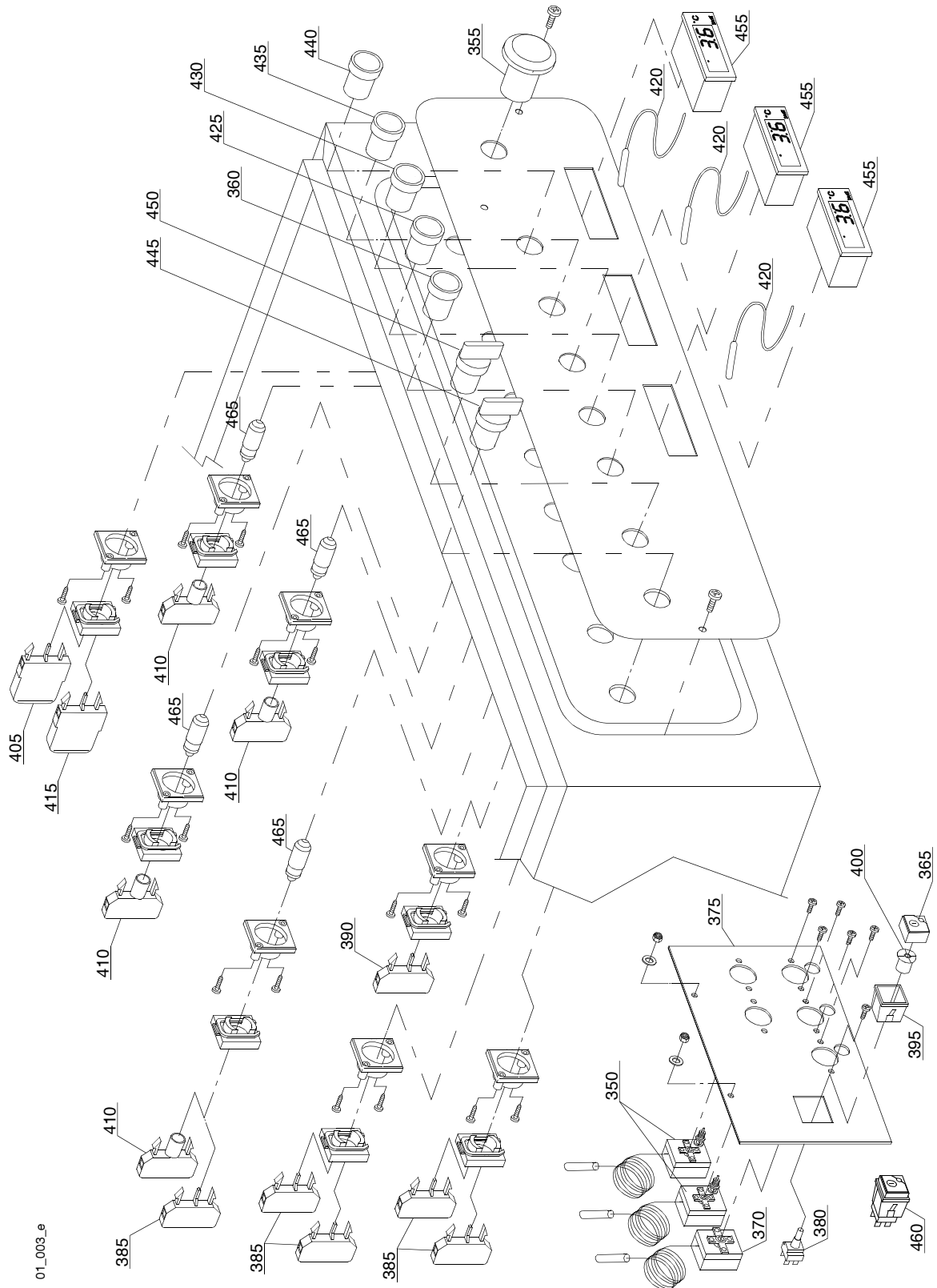
Double skin.....	115
Booster pump	117
Dispensers SDN-3	119
Angle loading table 90° - LC 98	121
Baskets	123
Accessory	125

1.1 Voltage codes

Voltage code	Voltage
A	3/N/PE~400/230V 50Hz
B	~250V 16A 50Hz
C	3/N/PE~380/220V 50Hz
D	3/PE~200V 50-60Hz
F	2/PE 220-240V 50Hz
G	3/N/PE~415/240V 50Hz
H	3/PE~230V 50Hz
I	3/PE~220V 60Hz
J	3/PE~380 50Hz
K	3/PE~400V 50Hz
L	3/PE~415V 50Hz
M	3/PE~440V 60Hz
N	3/PE~460V 60Hz
O	3/PE~480V 60Hz
P	1/N/PE~220-240V 50Hz
R	2/PE~220-230V 60Hz
S	3/N/PE~400/230V 50Hz
T	3/PE~230V 60Hz

1.2 Product codes

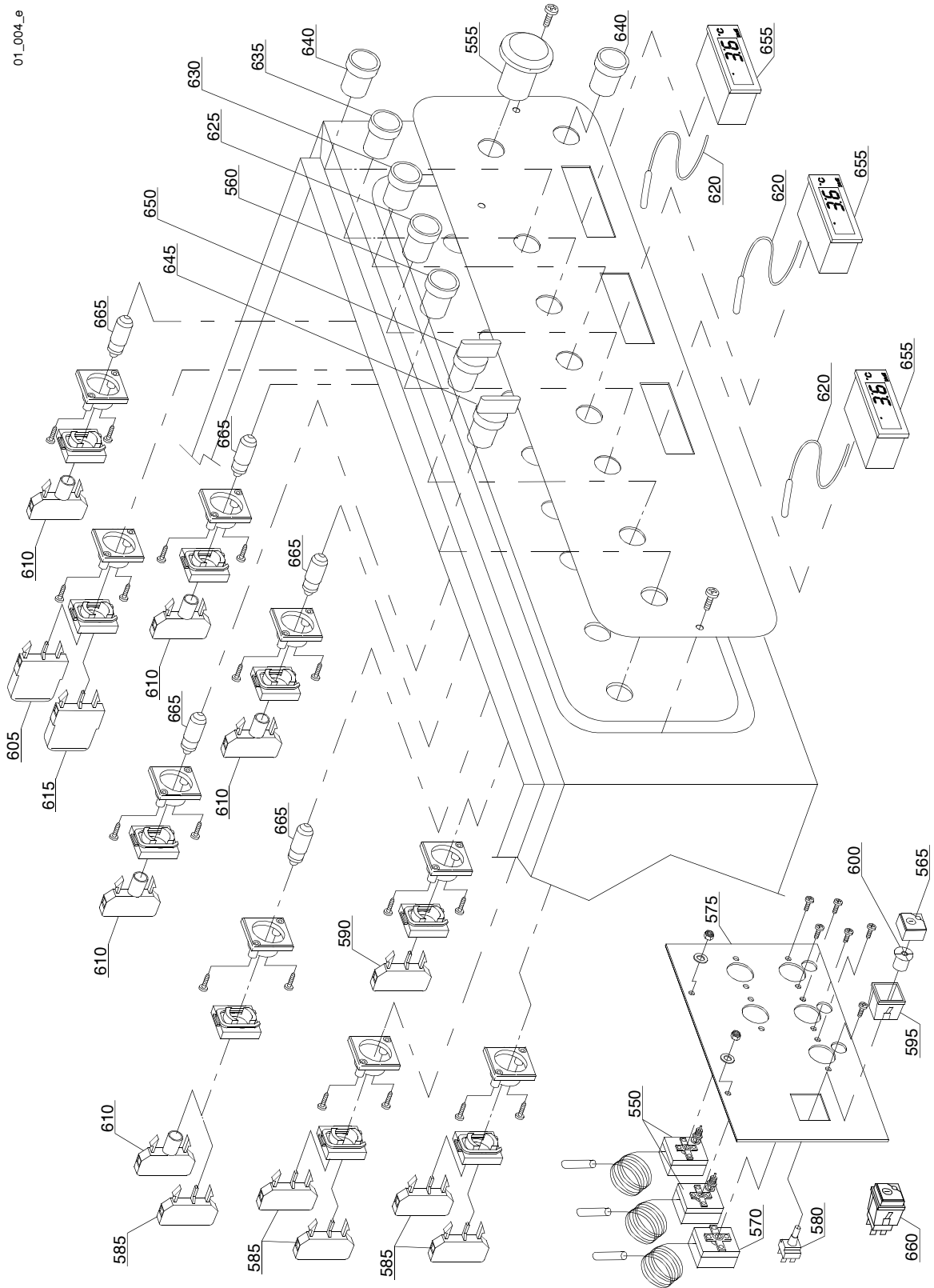
Product code	Full name
Model codes	
Type codes	
25	25
Accessory codes	
hr	HEAT RECOVERY - TR98
sc9	STEAM CONDENSER - LC 91
csa	CONVEYOR SPEED ADJUSTING- LC 101
972	90° MOTORIZED CHAIN CONVEYOR - LC 97/2
973	180° MOTORIZED CHAIN CONVEYOR - LC 97/3
974	DRYER WITH 90° MOTORIZED CHAIN CONVEYOR - LC 97/4
975	DRYER WITH 180° MOTORIZED CHAIN CONVEYOR - LC 97/5
d9	DRYER - LC 90
d92	DRYER - LC 90/2
d94	DRYER - LC 90/4
cw	ADDITIONAL BOILER FOR COLD WATER SUPPLY
dvgw	DVGW VALVE SYSTEM
szc9	SPLASH ZONE WITH CILINDER - LC 94
ti	TANKS INSULATION
ds	DOUBLE SKIN
bp	BOOSTER PUMP
sdn3	DISPENSERS SYSTEM SDN-3
98	ANGLE LOADING TABLE - LC 98



01_003_e

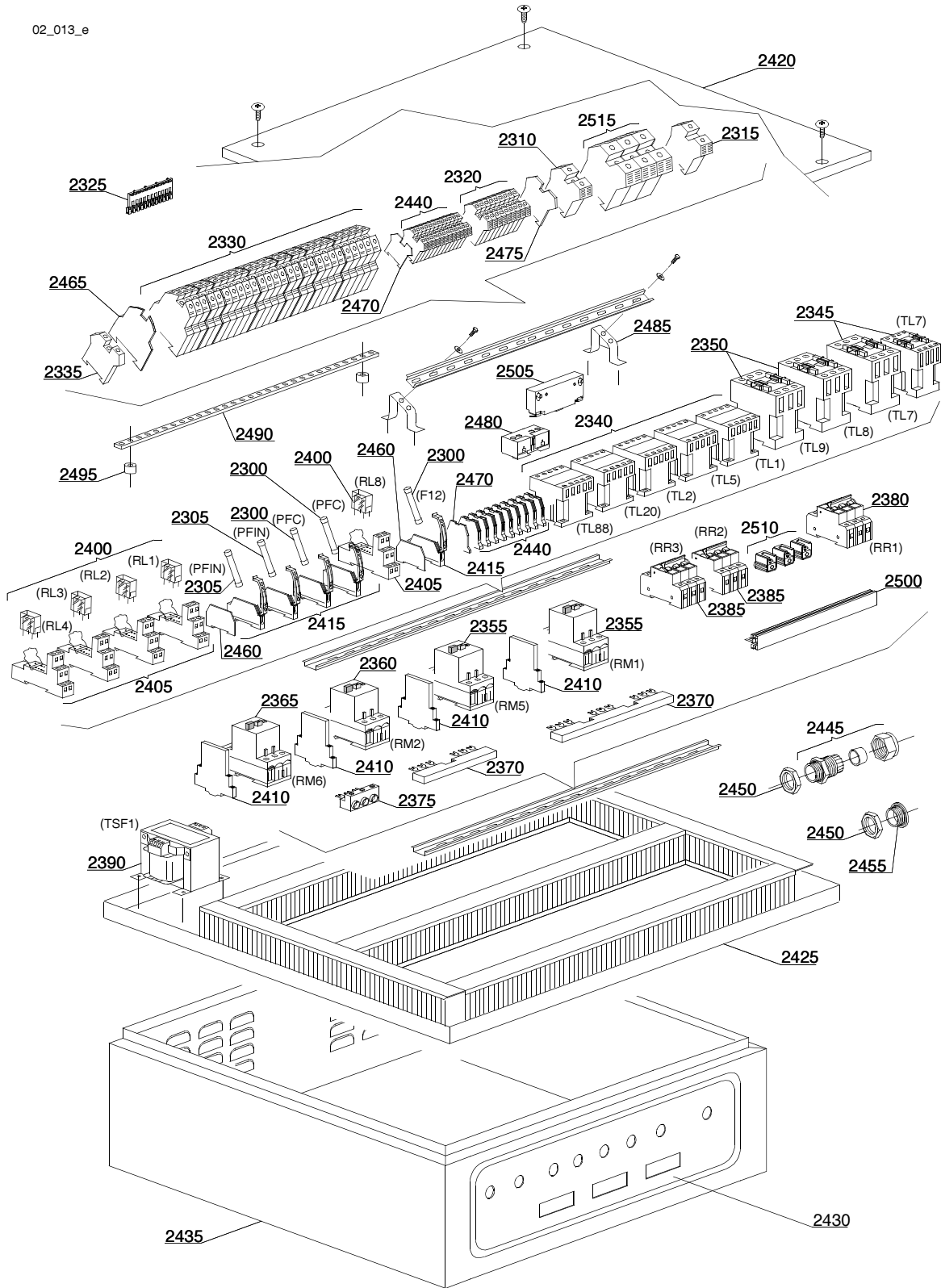
Spare parts

ID	P-code	Model	Type	Accessory	Voltage	Description
MODULE:Control Panel						
350	2000430		25			Safety thermostat
355	3002050		25			Emergency button
360	3002055		25			Button red
365	15874		25			Green main switch
370	10707/1		25			Thermostat 0 - 90° (TB2)
375	3009114		25			Assembly plate
380	15812		25			Starter electric component
385	3002054		25			Green contact piece (NO)
390	3002056		25			Red contact piece (NC)
395	15815		25			Support square single
400	15824		25			Green-orange cam
405	3002051		25			2NO contact (green)
410	2000234		25			Lamp holder
415	3002052		25			2NC contact (red)
420	3006121		25			Digital thermostat probe
425	2000284		25			Switch start green
430	2000230		25			Yellow pillow lamp
435	2000231		25			Red pillow lamp
440	2000232		25			Green pillow lamp
445	2000310		25			Selector
450	2000311		25			Selector
455	3006120		25			Digital thermostat
460	15849		25			Switch assembly
465	3002068		25			Lamp



Spare parts

ID	P-code	Model	Type	Accessory	Voltage	Description
MODULE:Control Panel						
550	2000430		25			Safety thermostat
555	3002050		25			Emergency button
560	3002055		25			Button red
565	15874		25			Green main switch
570	10707/1		25			Thermostat 0 - 90° (TB2)
575	3009114		25			Assembly plate
580	15812		25			Starter electric component
585	3002054		25			Green contact piece (NO)
590	3002056		25			Red contact piece (NC)
595	15815		25			Support square single
600	15824		25			Green-orange cam
605	3002051		25			2NO contact (green)
610	2000234		25			Lamp holder
615	3002052		25			2NC contact (red)
620	3006121		25			Digital thermostat probe
625	2000284		25			Switch start green
630	2000230		25			Yellow pillow lamp
635	2000231		25			Red pillow lamp
640	2000232		25			Green pillow lamp
645	2000310		25			Selector
650	2000311		25			Selector
655	3006120		25			Digital thermostat
660	15849		25			Switch assembly
665	3002068		25			Lamp

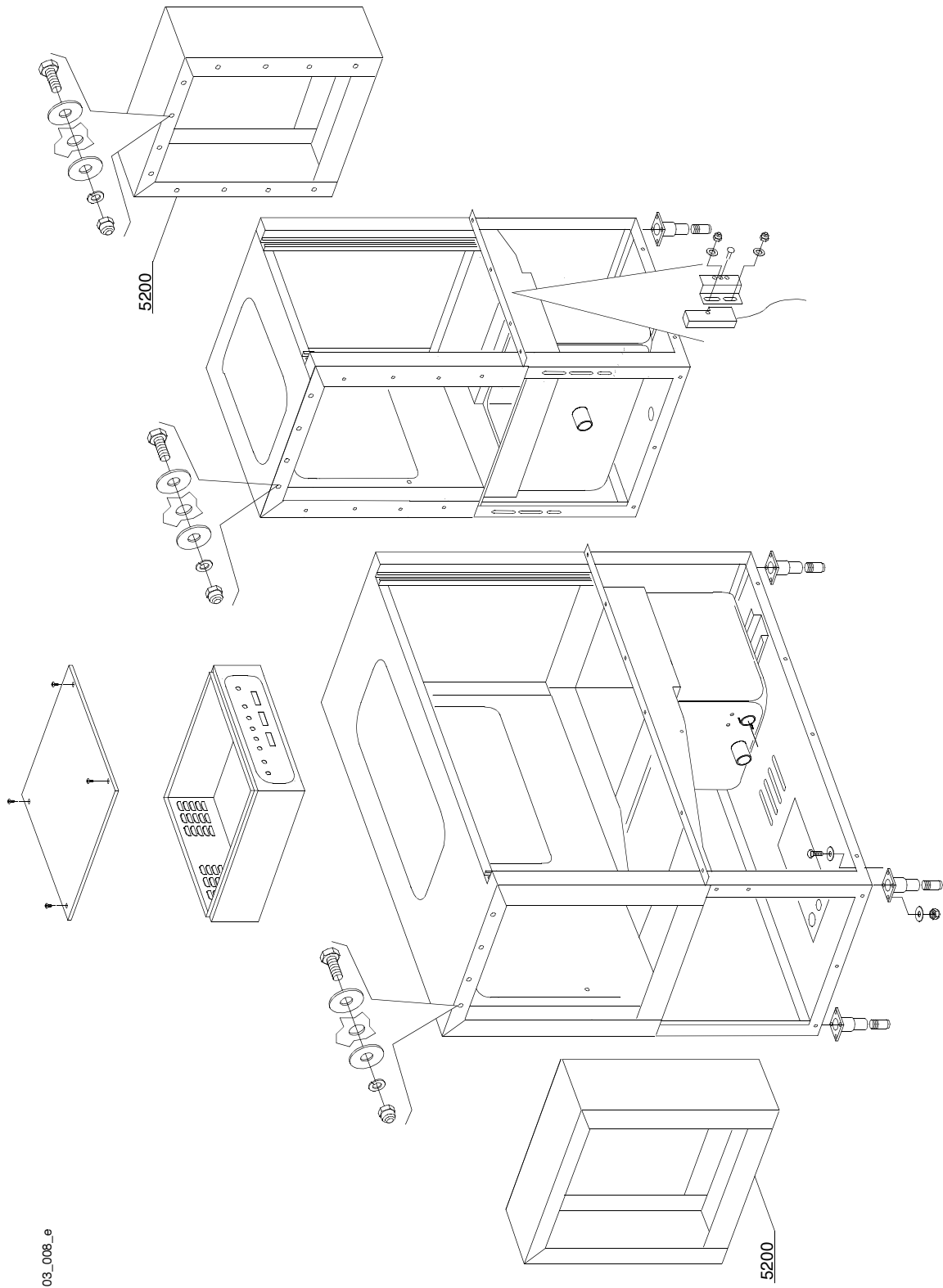


Spare parts

ID	P-code	Model	Type	Accessory	Voltage	Description
MODULE:Electric parts						
2300	15160		25		A	Fuse 5x20 10A
2305	15163		25		A	Fuse 5x20 1A
2310	3006090		25		A	Clamp 35 mm
2315	3006091		25		A	Earth clamp 35 mm
2320	10300403		25		A	Clamp 6 mm
2325	3006066		25		A	Contactor
2330	3006072		25		A	Double clamp 4 mm
2335	3006093		25		A	DIN guide backstop
2340	2000370		25		A	Contactor MC9
2345	2000380		25		A	Contactor BF12 (heating element < 9 kW)
2345	2000385		25		A	Contactor BF20 (heating element > 9 kW)
2350	2000385		25		A	Contactor BF20
2355	2000390		25		A	Motorprotector 1 - 1.6A
2360	2000400		25		A	Motorprotector 4-6,3A
2365	2000394		25		A	Motorprotector 2,5-4A
2370	3006085		25		A	2 position electrical contactor LMS25
2370	3006086		25		A	3 position electrical contactor LMS25
2370	3006100		25		A	4 position electrical contactor LMS25
2370	3006101		25		A	5 position electrical contactor LMS25
2375	3006087		25		A	Electrical connection
2380	2000403		25		A	Automatic fuse C20 (heating element < 9kW)
2380	2000404		25		A	Automatic fuse C25 (heating element > 9kW)
2385	2000403		25		A	Automatic fuse C20 (heating element < 9kW)
2385	2000404		25		A	Automatic fuse C25 (heating element > 9kW)
2390	3006061		25		A	Transformer 200VA
2400	3006078		25		A	Relay
2405	3006079		25		A	Base for relay
2410	3006080		25		A	Auxiliary contact LMS25
2415	3006147		25		A	Fuse holder
2420	3009197		25		A	Control panel cover
2420	3009652		25		A	Control panel cover
2425	3009146		25		A	Electric parts pannel
2430	3009145		25		A	Comand parts pannel
2435	3019030		25		A	Control panel case
2435	3009654		25		A	Control panel case
2440	3006092		25		A	Clamp 4mm
2445	80419		25		A	Cable-fastener PG29
2450	80420		25		A	Lock nut
2455	80421		25		A	Plug PG29
2460	3006144		25		A	Fuse holder covering plate
2465	3006071		25		A	Double clamp covering plate 4mm
2470	3006083		25		A	Clamp covering plate 4mm
2475	3006084		25		A	Clamp covering plate 35mm
2480	3006068		25		A	MC9 auxiliary contact 1NO-1NC

Spare parts

ID	P-code	Model	Type	Accessory	Voltage	Description
2480	3002057		25		A	MC9 auxiliary contact 2NO
2480	3002052		25		A	MC9 auxiliary contact 2NC
2485	3006067		25		A	DIN guide support
2490	3006161		25		A	Electrical bonding bar
2495	3006162		25		A	Insulators
2500	3006163		25		A	Connection bar
2505	3006153		25		A	Mechanical lock safety
2510	3006160		25		A	Feed clamp 35mm
2515	3006090		25		A	Clamp 35mm (Imax<90A)
2515	3006108		25		A	Clamp 70mm (Imax>90A)

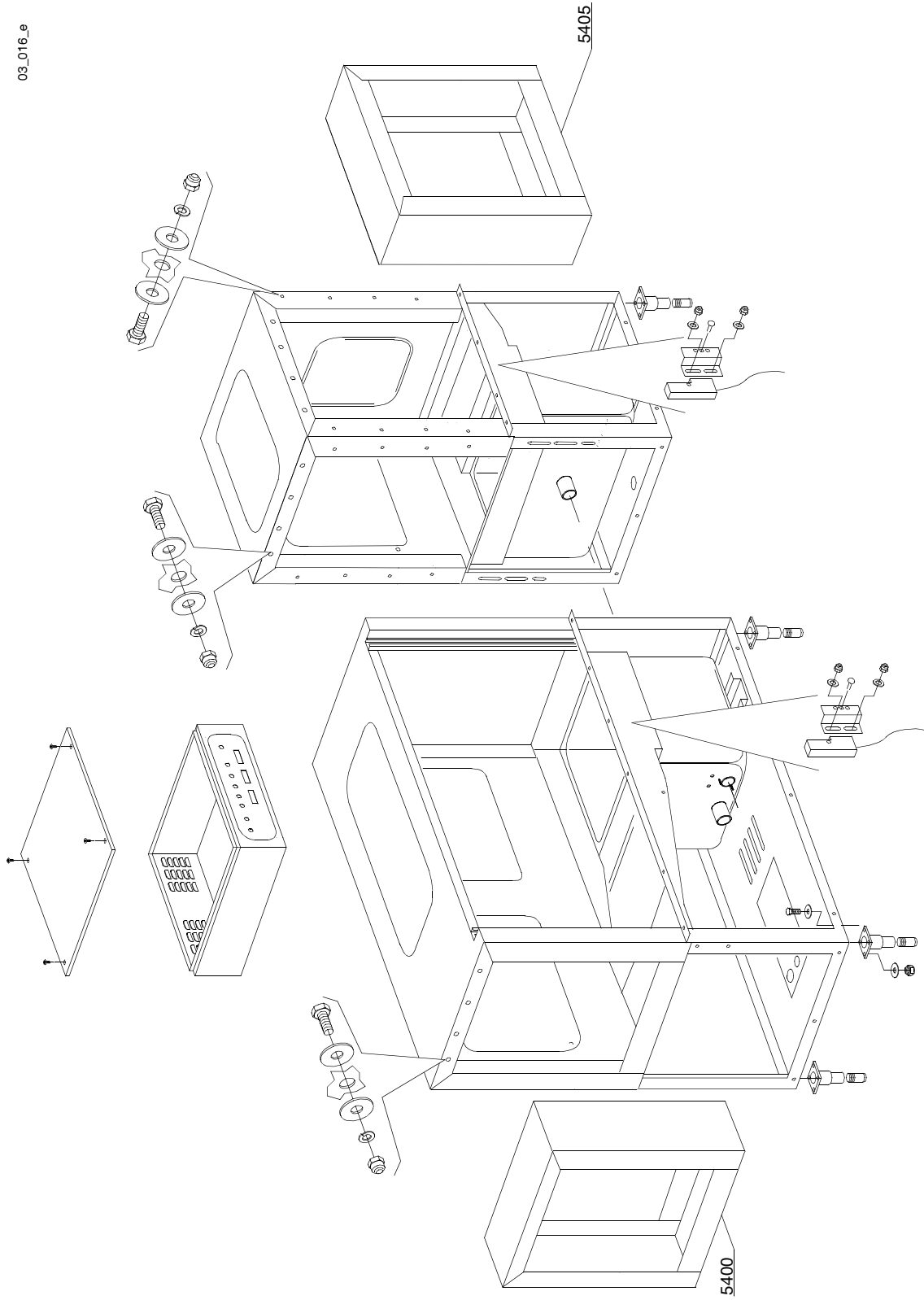


03_008_e

Spare parts

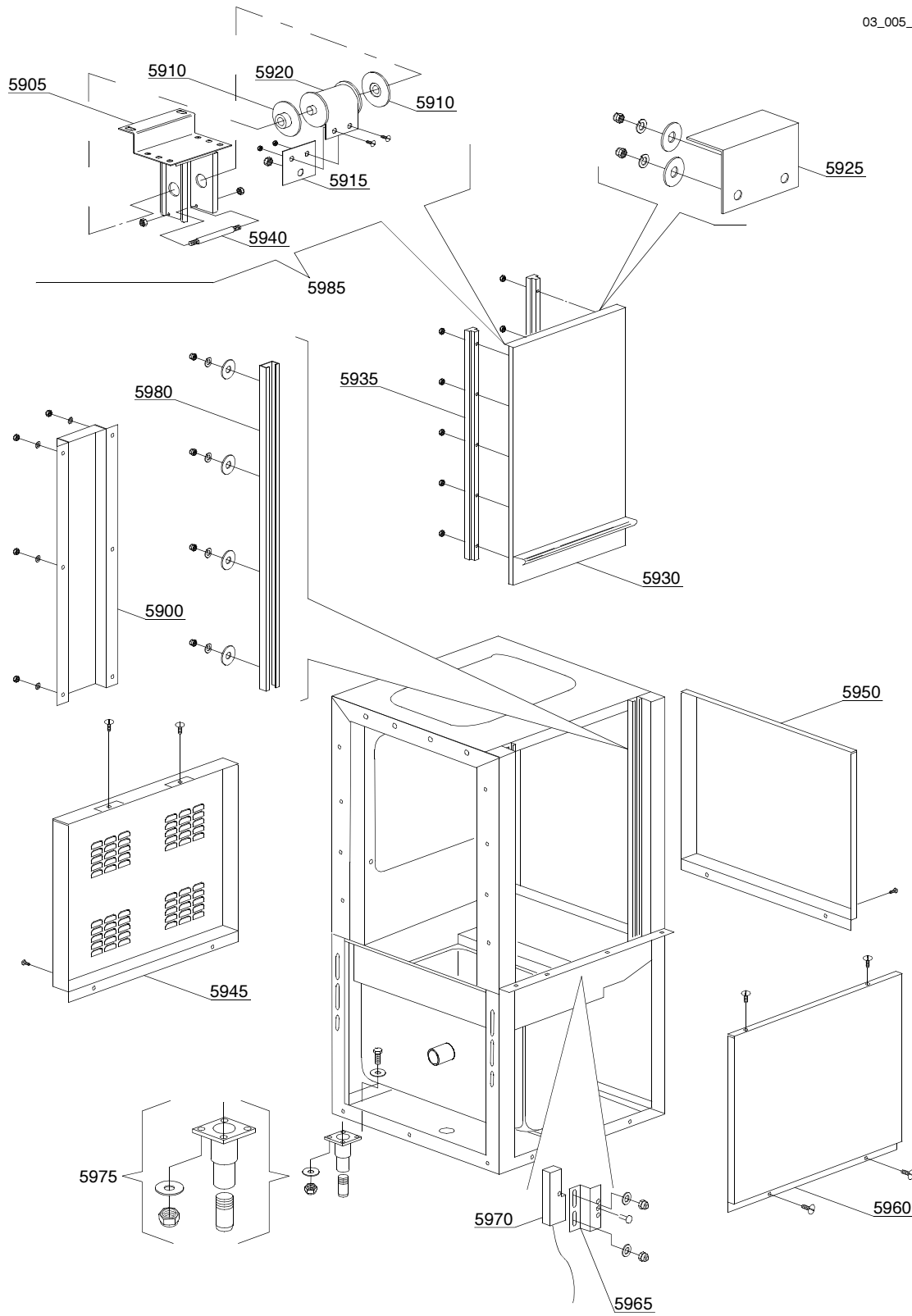
ID	P-code	Model	Type	Accessory	Voltage	Description
MODULE:Machine structure in modules						
5200	3019021		25			Splash zone

03_016_e



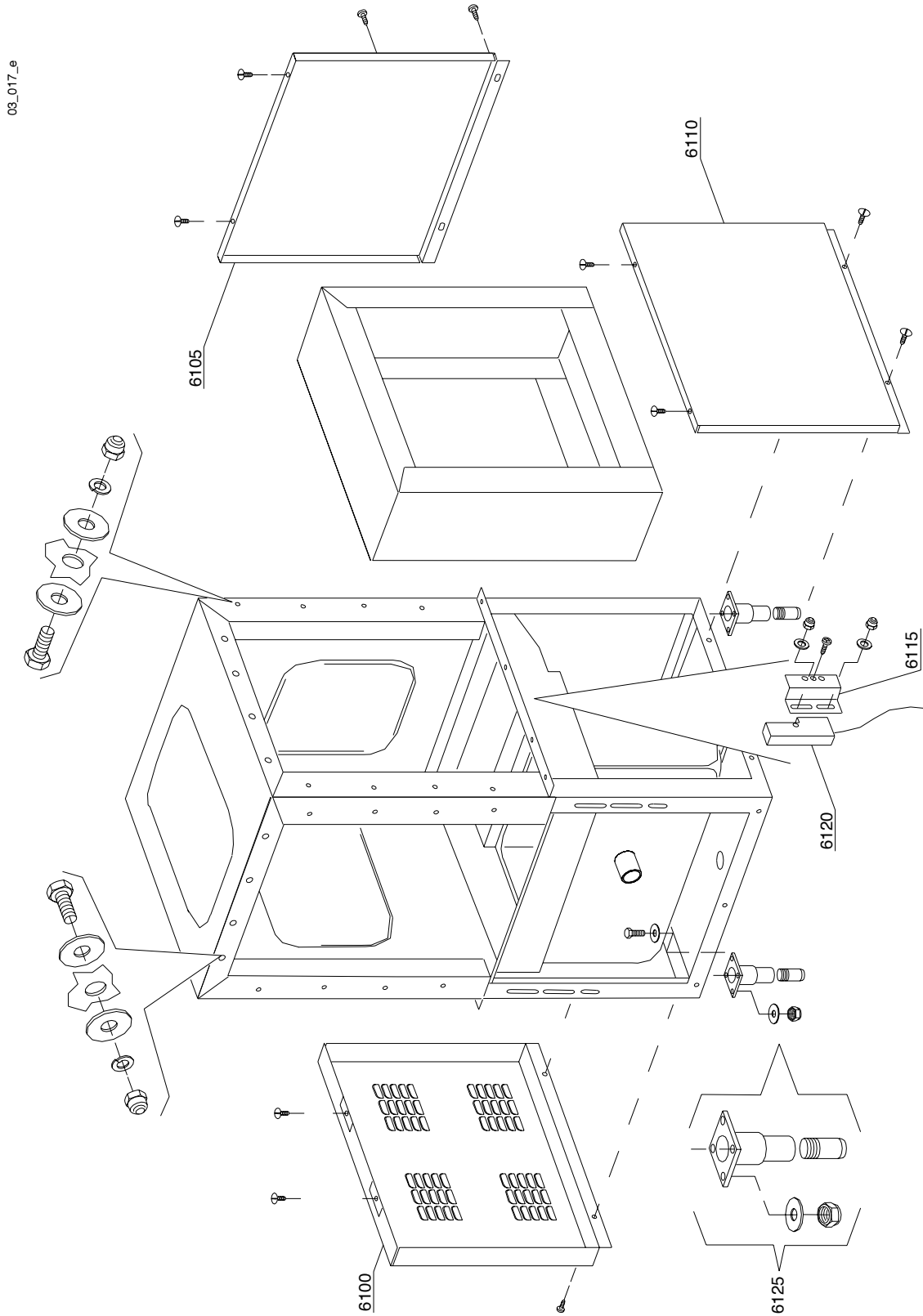
ID	P-code	Model	Type	Accessory	Voltage	Description
MODULE:Machine structure in modules						
5400	3019021		25			Splash zone
5405	3009504		25			Splash zone

03_005_e



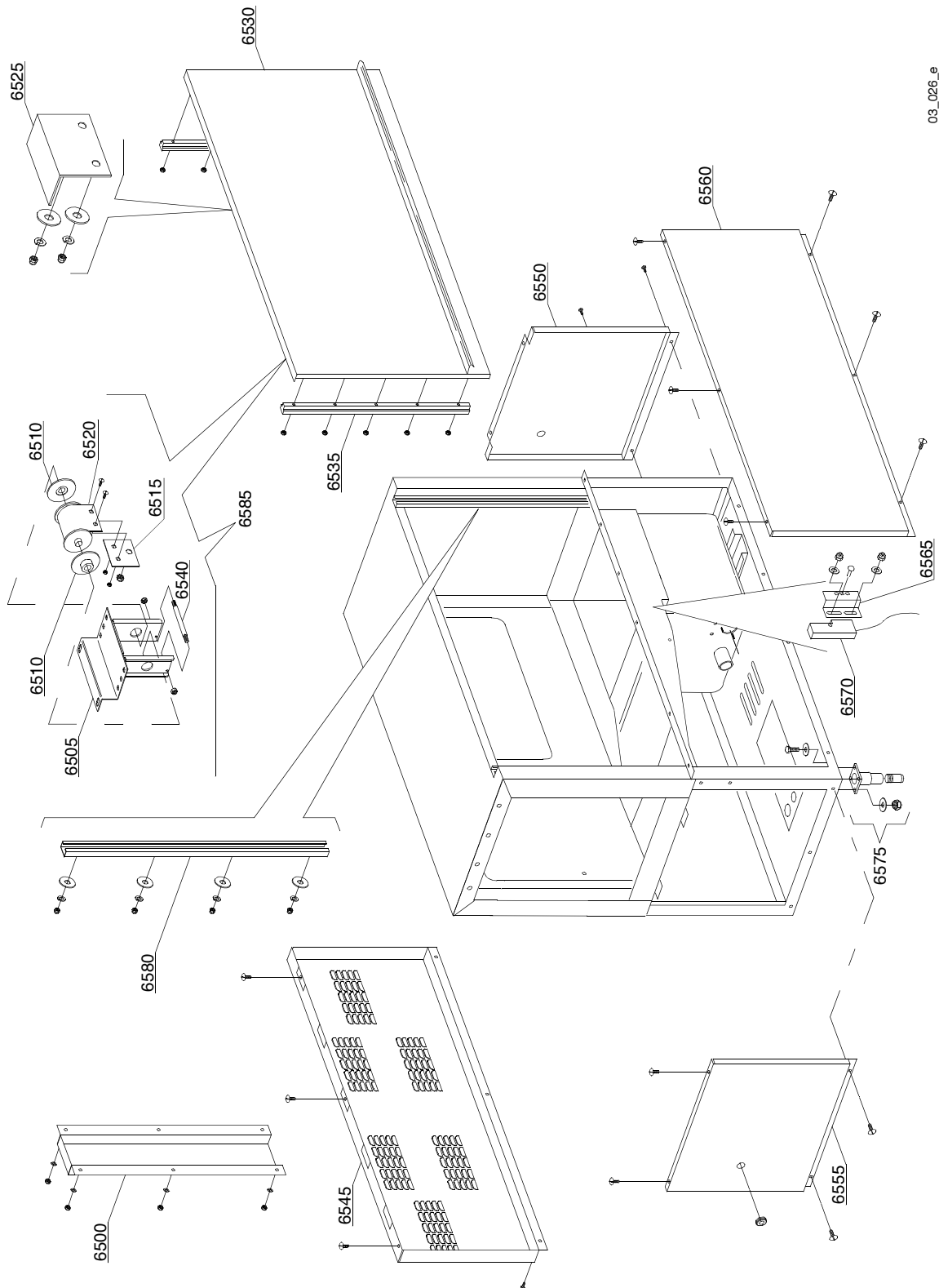
Spare parts

ID	P-code	Model	Type	Accessory	Voltage	Description
MODULE:Prewashing module 600						
5900	3009336		25			Rear cover
5905	3009909		25			Spring support
5910	3004012		25			Spring holder
5915	3009555		25			Spring clamping plate
5920	3004011		25			Door spring BBSR 23
5925	3009269		25			Door stop
5930	3009402		25			Door assembly
5935	3004026		25			Door guide
5940	3003958		25			Pin
5945	3009174		25			Rear panel
5950	3009189		25			Cover left
5950	3009188		25			Cover right
5960	3009178		25			Front cover right
5960	3009179		25			Front cover left
5965	3009112		25			Microswitch support
5970	3003112		25			Door microswitch
5975	3004060		25			Foot
5980	3009033		25			Slideways
5985	3009905		25			Spring assembly BBSR 23



Spare parts

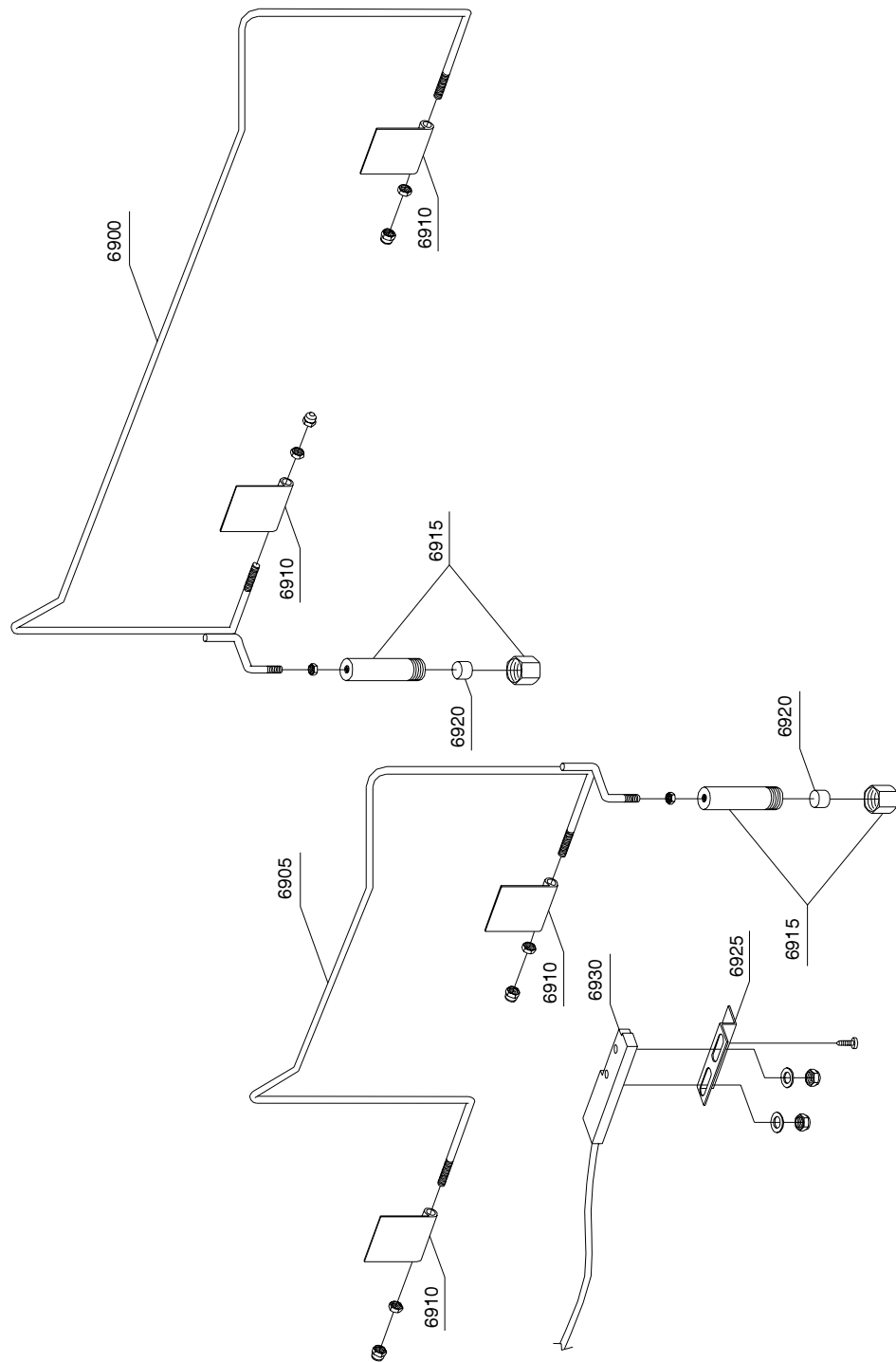
ID	P-code	Model	Type	Accessory	Voltage	Description
MODULE:Angle prewashing module 600						
6100	3009174		25			Rear panel
6105	3009190		25			Cover left
6105	3009191		25			Cover right
6110	3009124		25			Front cover right
6110	3009125		25			Front cover left
6115	3009112		25			Microswitch support
6120	3003112		25			Door microswitch
6125	3004060		25			Foot



03_026_e

Spare parts

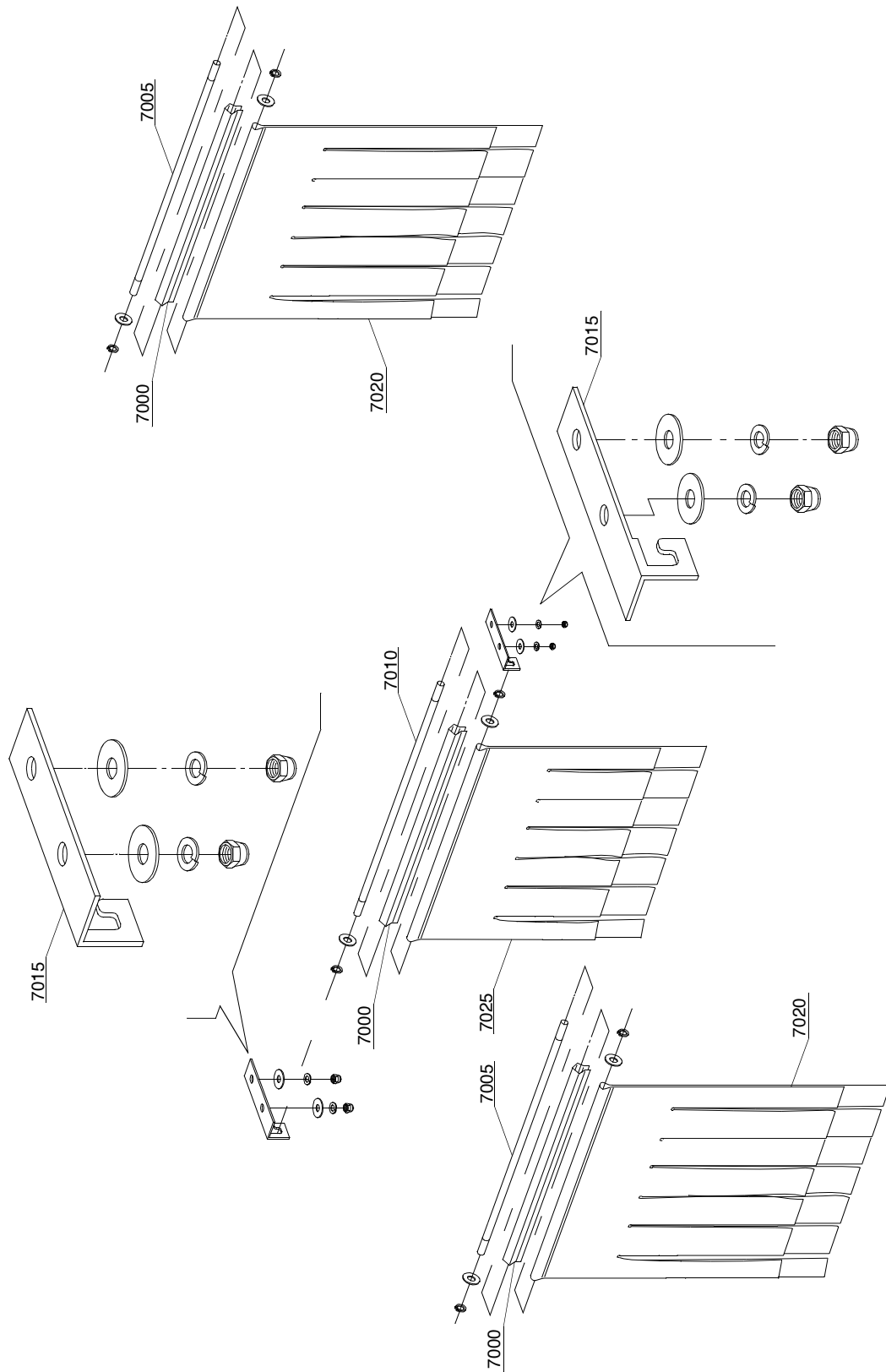
ID	P-code	Model	Type	Accessory	Voltage	Description
MODULE:Washing module 1300						
6500	3009336		25			Rear cover
6505	3009909		25			Spring support
6510	3004012		25			Spring holder
6515	3009555		25			Spring clamping plate
6520	3004011		25			Door spring BBSR 23
6525	3009269		25			Door stop
6530	3009404		25			Door assembly
6535	3004026		25			Door guide
6540	3003958		25			Pin
6545	3009173		25			Rear panel
6550	3009189		25			Cover right
6555	3009188		25			Cover left
6560	3009465		25			Front cover
6565	3009112		25			Microswitch support
6570	3003112		25			Door microswitch
6575	3004060		25			Foot
6580	3009033		25			Slideways
6585	3009905		25			Spring assembly BBSR 23



03_102_e

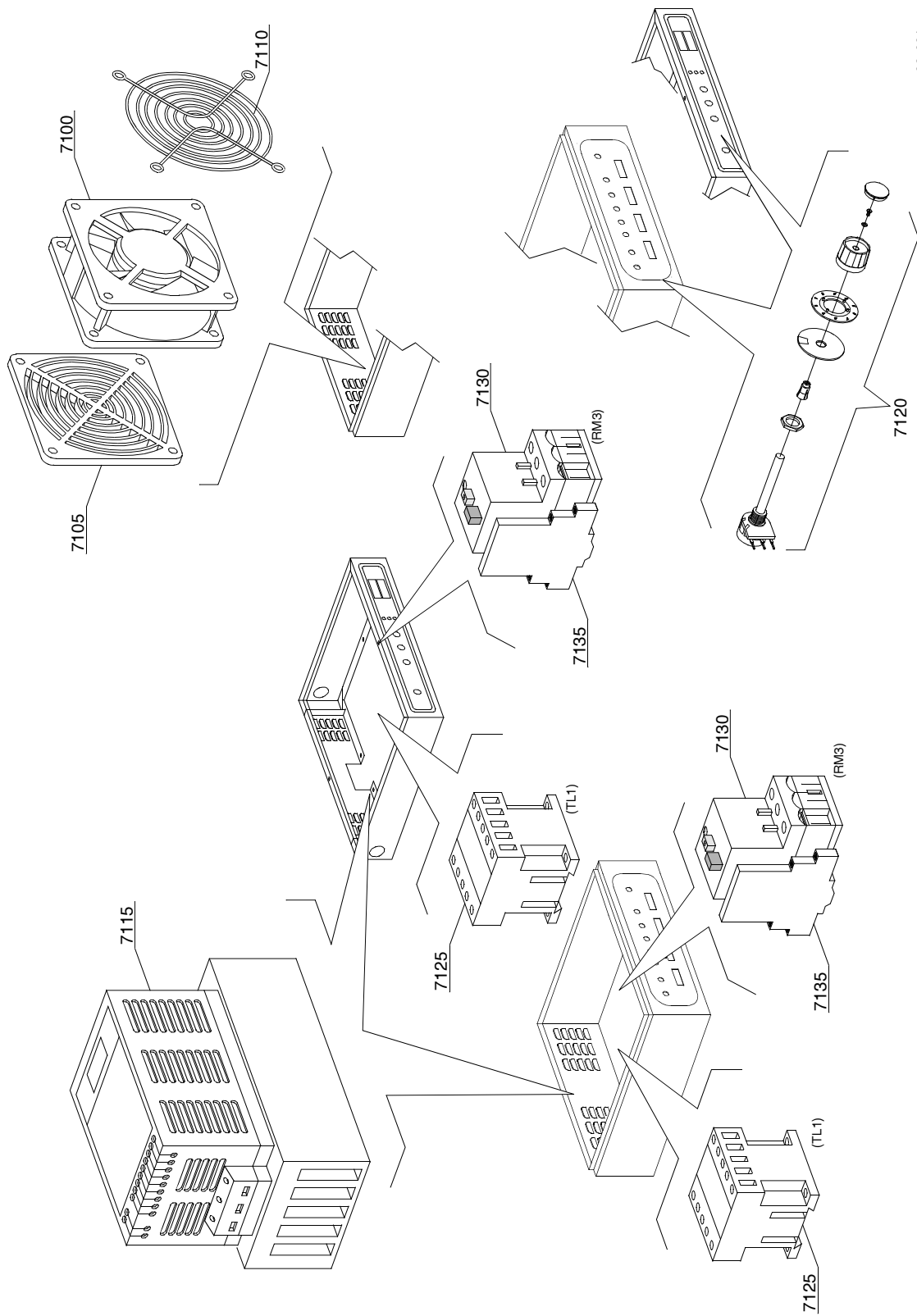
Spare parts

ID	P-code	Model	Type	Accessory	Voltage	Description
MODULE:Economizer components						
6900	3003074		25			Rack switch arm right
6900	3003075		25			Rack switch arm left
6905	3003072		25			Rack switch arm right
6905	3003073		25			Rack switch arm left
6910	3003061		25			Economizer support
6915	3003058		25			Magnet holder
6920	3003113		25			Magnet
6925	3009112		25			Door microswitch support
6930	3003112		25			Door microswitch



03_201_e

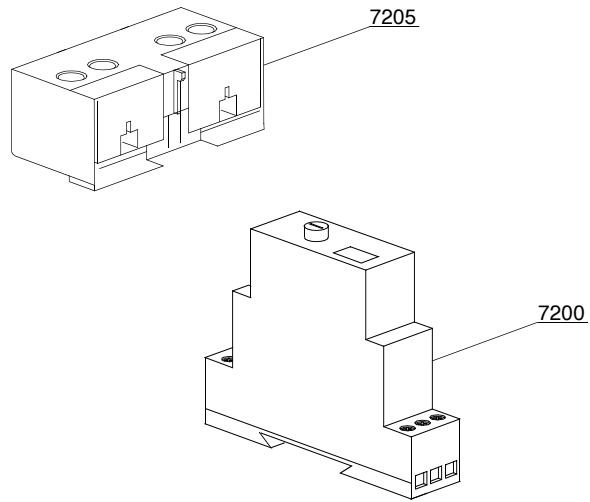
ID	P-code	Model	Type	Accessory	Voltage	Description
MODULE: Curtains group components						
7000	3009109		25			Curtain moulding
7005	3004053		25			Curtain rod short
7010	3004052		25			Curtain rod long
7015	3009110		25			Curtain support
7020	3004050		25			Curtain long
7025	3004051		25			Curtain short



06_001_e

Spare parts

ID	P-code	Model	Type	Accessory	Voltage	Description
MODULE:Inverter						
7100	3000118		25	csa	A	Impeller fan
7105	3000118/A		25	csa	A	Filter
7110	3000118/B		25	csa	A	Grid
7115	3000117		25	csa	A	Inverter 0,37kW
7120	3000119		25	csa	A	Potentiometer with knob
7125	2000370		25	csa	A	Contactore MC9
7130	2000400		25	csa	A	Motorprotector 4-6,3A
7135	3006080		25	csa	A	Auxiliary contact LMS25

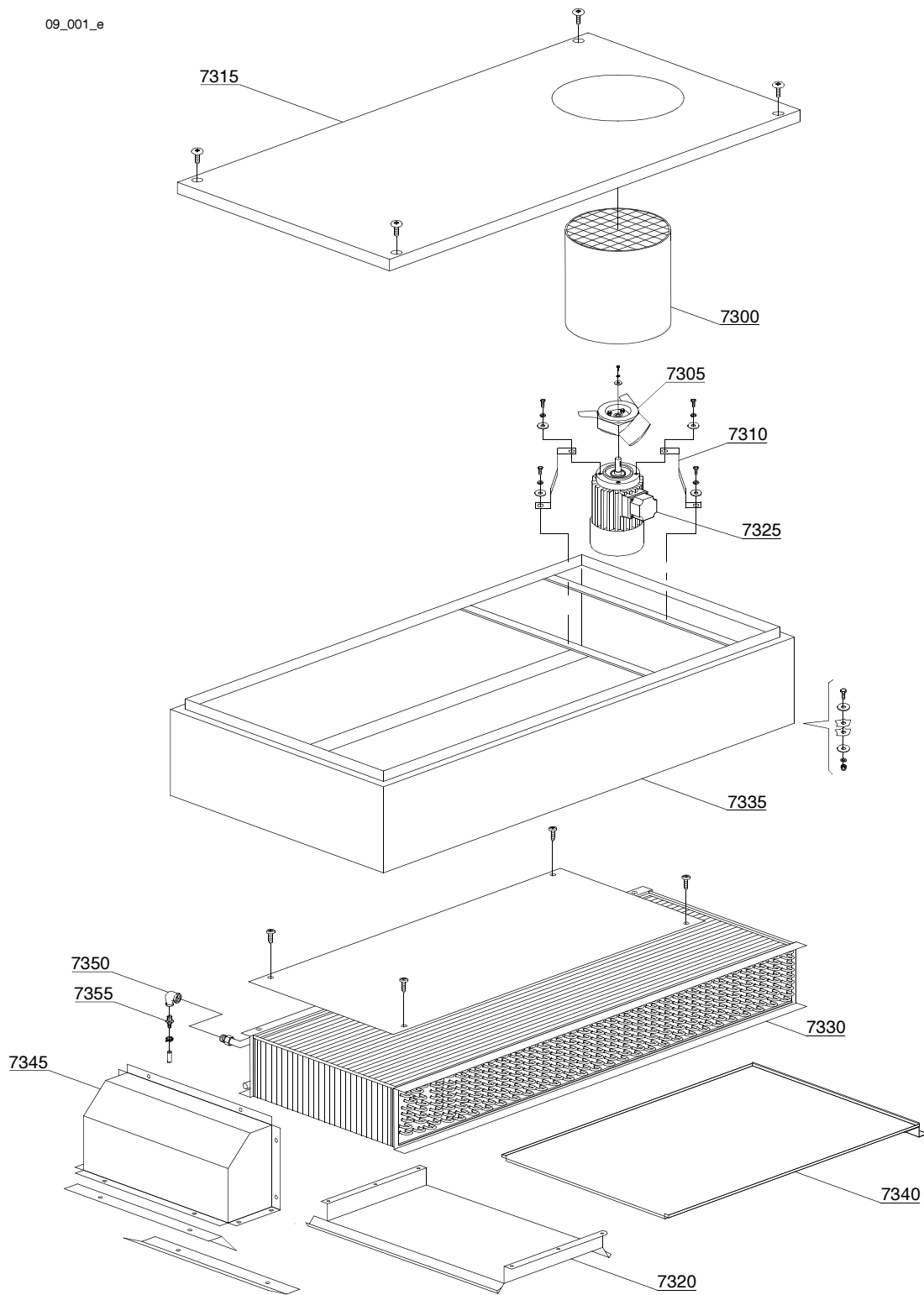


07_001_e

Spare parts

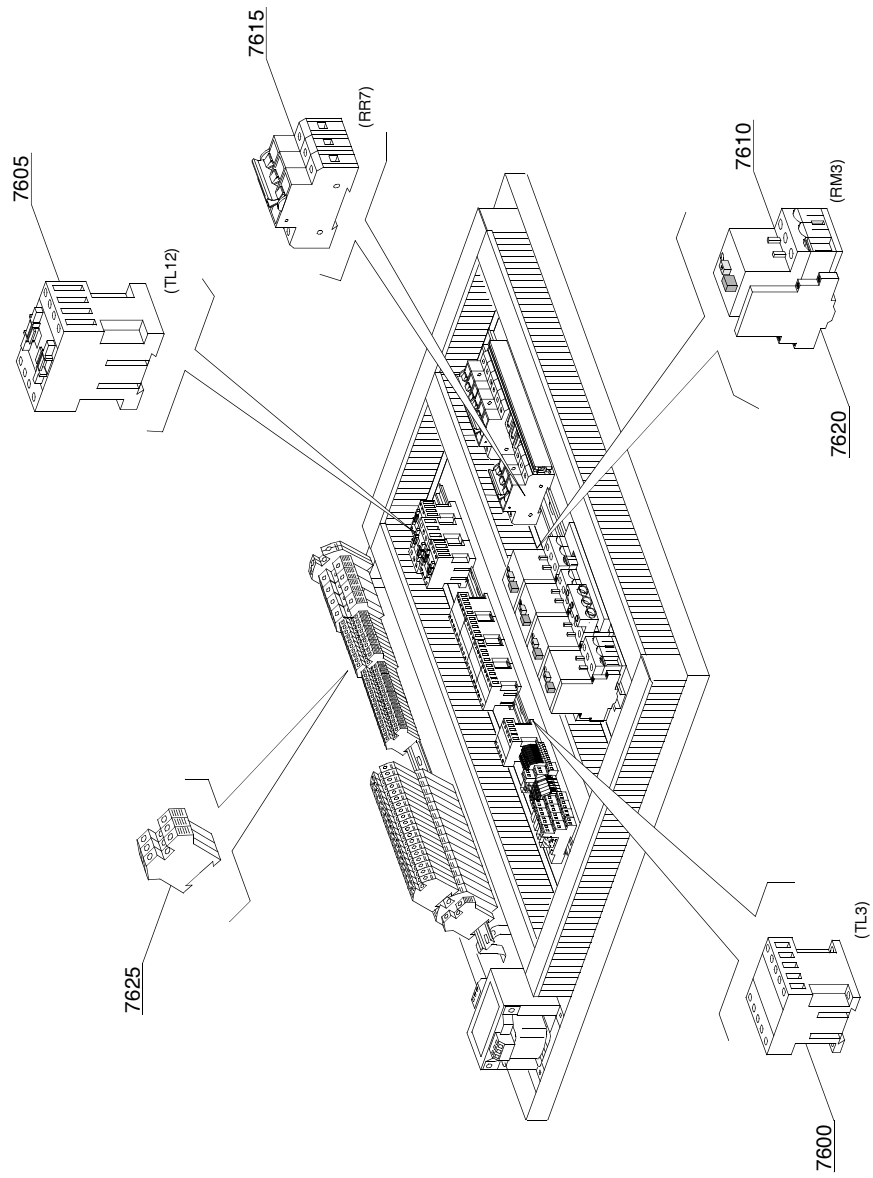
ID	P-code	Model	Type	Accessory	Voltage	Description
MODULE:Time relay X280]						
7200	3006225		25	sc9,d9,d92,d94,974,975	A	Time relay 24V
7205	3006068		25	sc9,d9,d92,d94,974,975	A	MC9 auxiliary contact 1NO-1NC
7205	3002057		25	sc9,d9,d92,d94,974,975	A	MC9 auxiliary contact 2NO
7205	3002052		25	sc9,d9,d92,d94,974,975	A	MC9 auxiliary contact 2NC

09_001_e



Spare parts

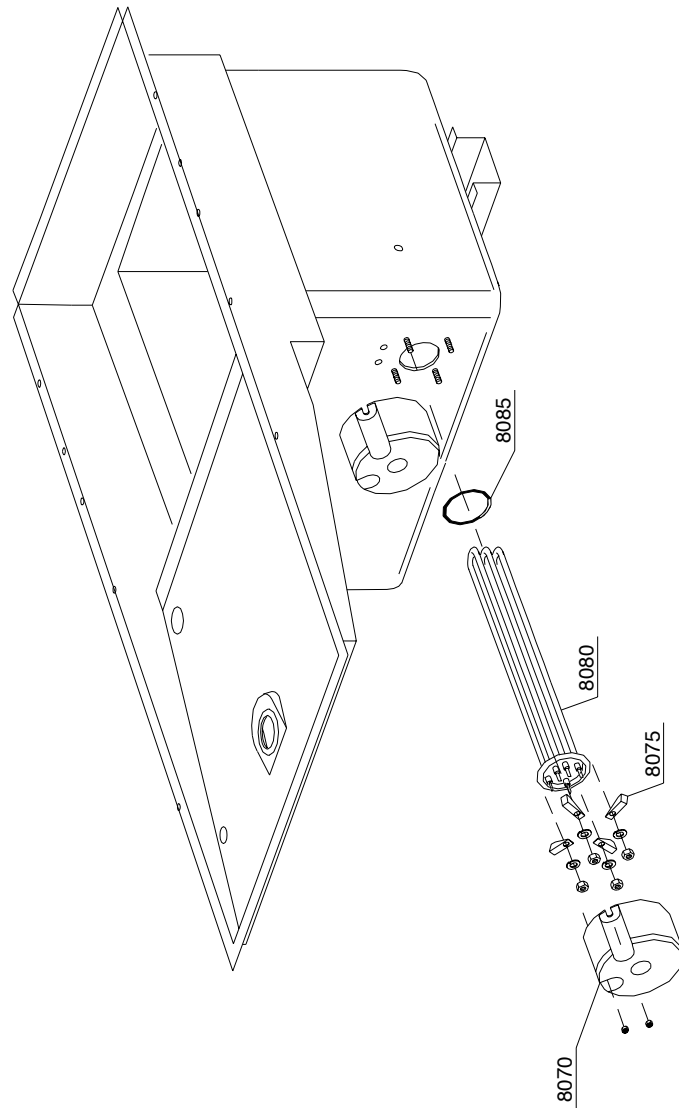
ID	P-code	Model	Type	Accessory	Voltage	Description
MODULE:Heat recovery TR98 - part 1						
7300	3009499		25	hr		Chimney
7305	3000125		25	hr		Impeller fan
7310	3009106		25	hr		Motor holder
7315	3009318		25	hr		Cover TR98
7320	3009090		25	hr		Suction group
7325	3000120		25	hr	A	Motor 0.18KW
7330	3000151		25	hr		Heating recovery battery
7335	3009498		25	hr		Complete body
7340	3009501		25	hr		Tray
7345	3009500		25	hr		Cope
7350	3002138		25	hr		Elbow
7355	12023		25	hr		Hose holder



09_105_e

Spare parts

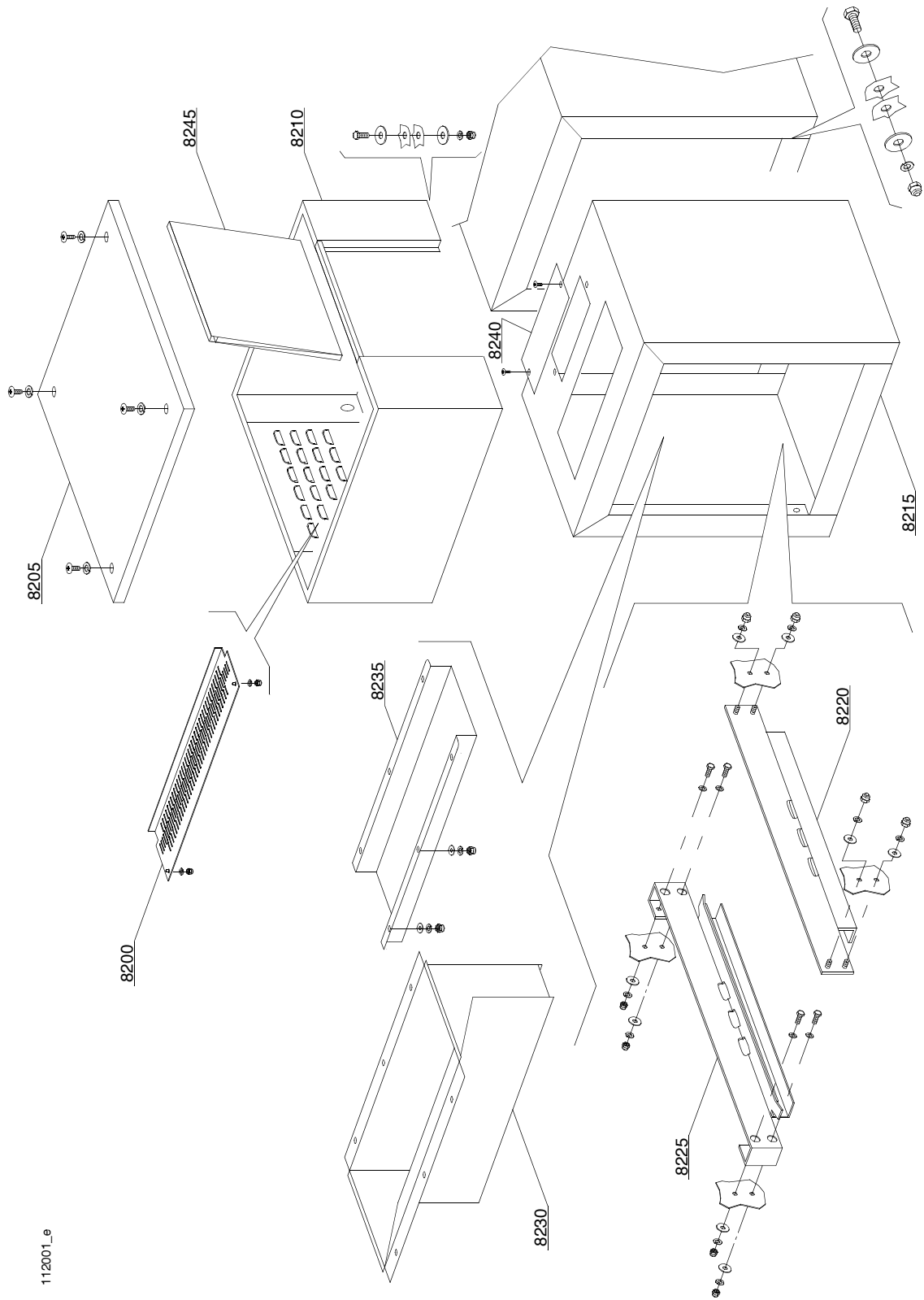
ID	P-code	Model	Type	Accessory	Voltage	Description
MODULE:Heat recovery TR98 - part 2						
7600	2000370		25	hr	A	Contacteur MC9
7605	2000380		25	hr	A	Contacteur BF12 (heating element < 9 kW)
7605	2000385		25	hr	A	Contacteur BF20 (heating element > 9 kW)
7610	2000390		25	hr	A	Motorprotector 1 - 1.6A
7615	2000403		25	hr	A	Automatic fuse C20 (heating element < 9 kW)
7615	2000404		25	hr	A	Automatic fuse C25 (heating element > 9 kW)
7620	3006080		25	hr	A	Auxiliary contact LMS25
7625	10300403		25	hr	A	Clamp 6 mm



09_200_e

Spare parts

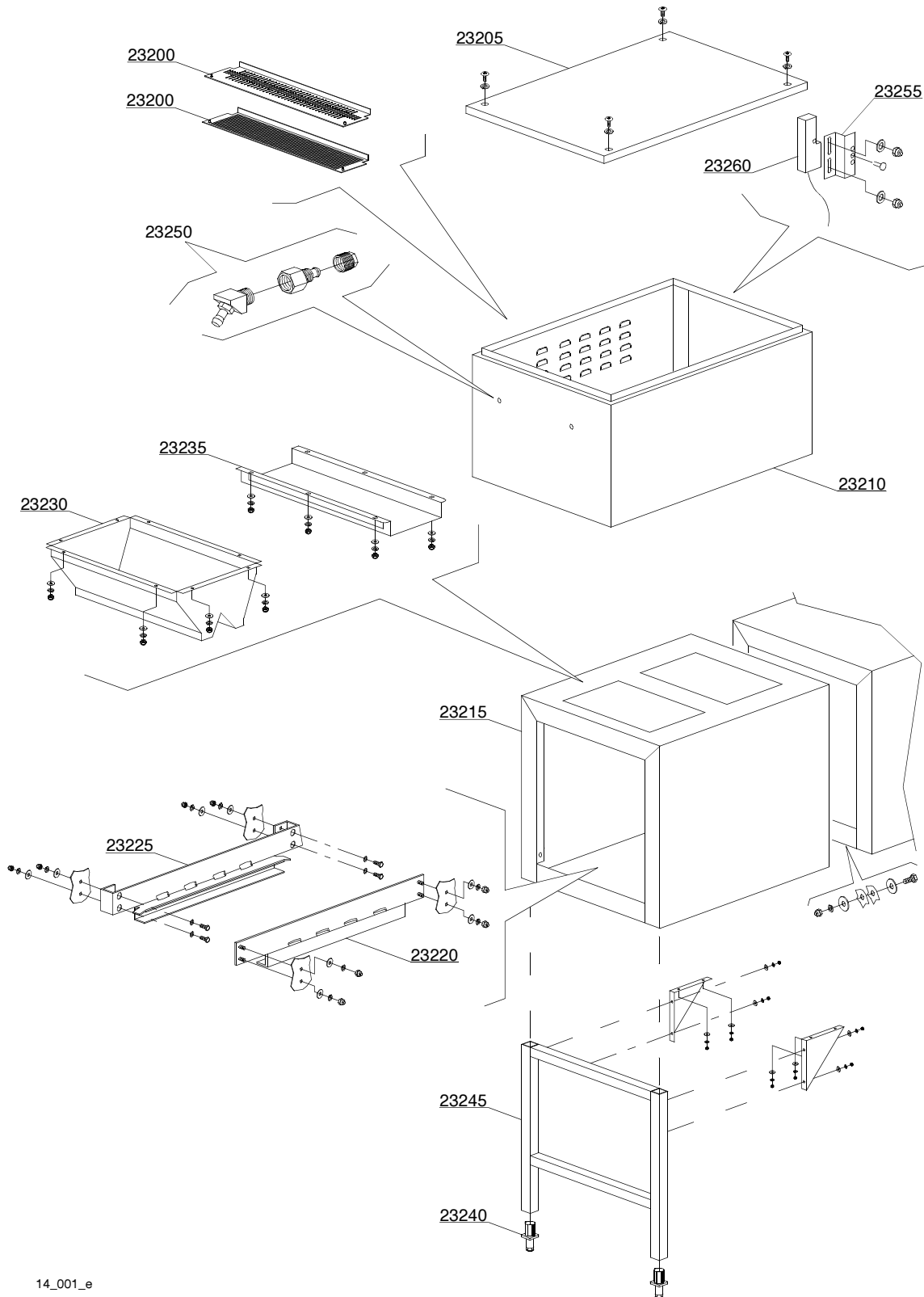
ID	P-code	Model	Type	Accessory	Voltage	Description
MODULE:Heat recovery TR98 - part 3						
8070	75311		25	hr		Heating element cover
8075	16045		25	hr		Heating element support Ø6.3
8080	30001010		25	hr		Heating element 6kW
8080	30001011		25	hr		Heating element 9kW
8080	30001011/A		25	hr		Heating element 12kW
8080	30001011/B		25	hr		Heating element 14kW
8085	13015		25	hr		O-ring 160 (6225)



112001_e

Spare parts

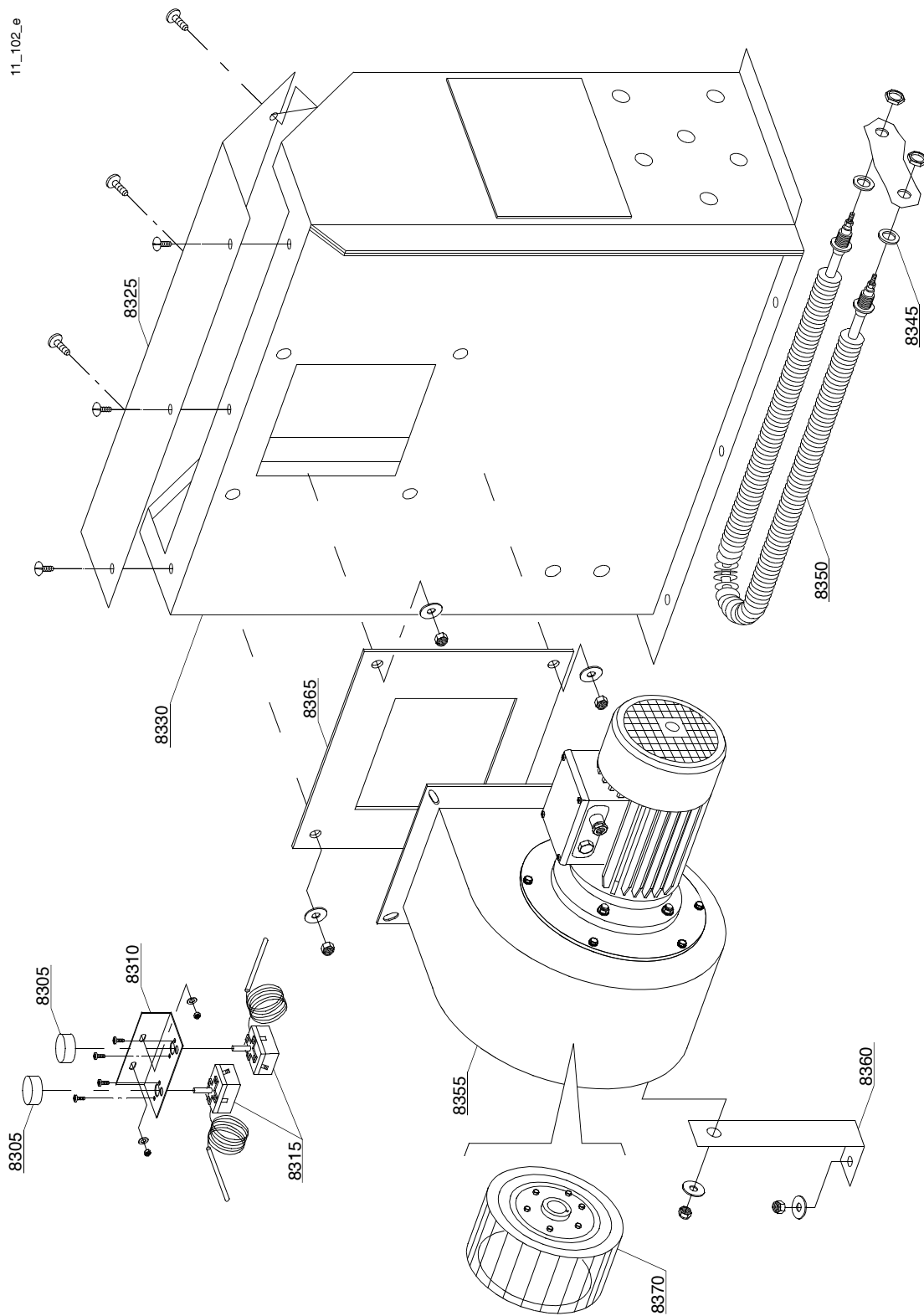
ID	P-code	Model	Type	Accessory	Voltage	Description
MODULE:Dryer LC 90 - LC9 0/2 (6 - 12kW) - part 1						
8200	3009362/A		25	d9,d92		Protection
8205	3009267		25	d9,d92		Cover panel
8210	3009484		25	d9,d92		Complete body
8215	3009485		25	d9,d92		Dryer module
8220	3009047		25	d9,d92		Front slideways
8225	3009057		25	d9,d92		Back slideways
8230	3009492		25	d9,d92		Flow conveyor
8235	3009434		25	d9		Splash guard
8240	3009100		25	d92		Air covering
8245	3009268		25	d9,d92		Dryer carter lockup



14_001_e

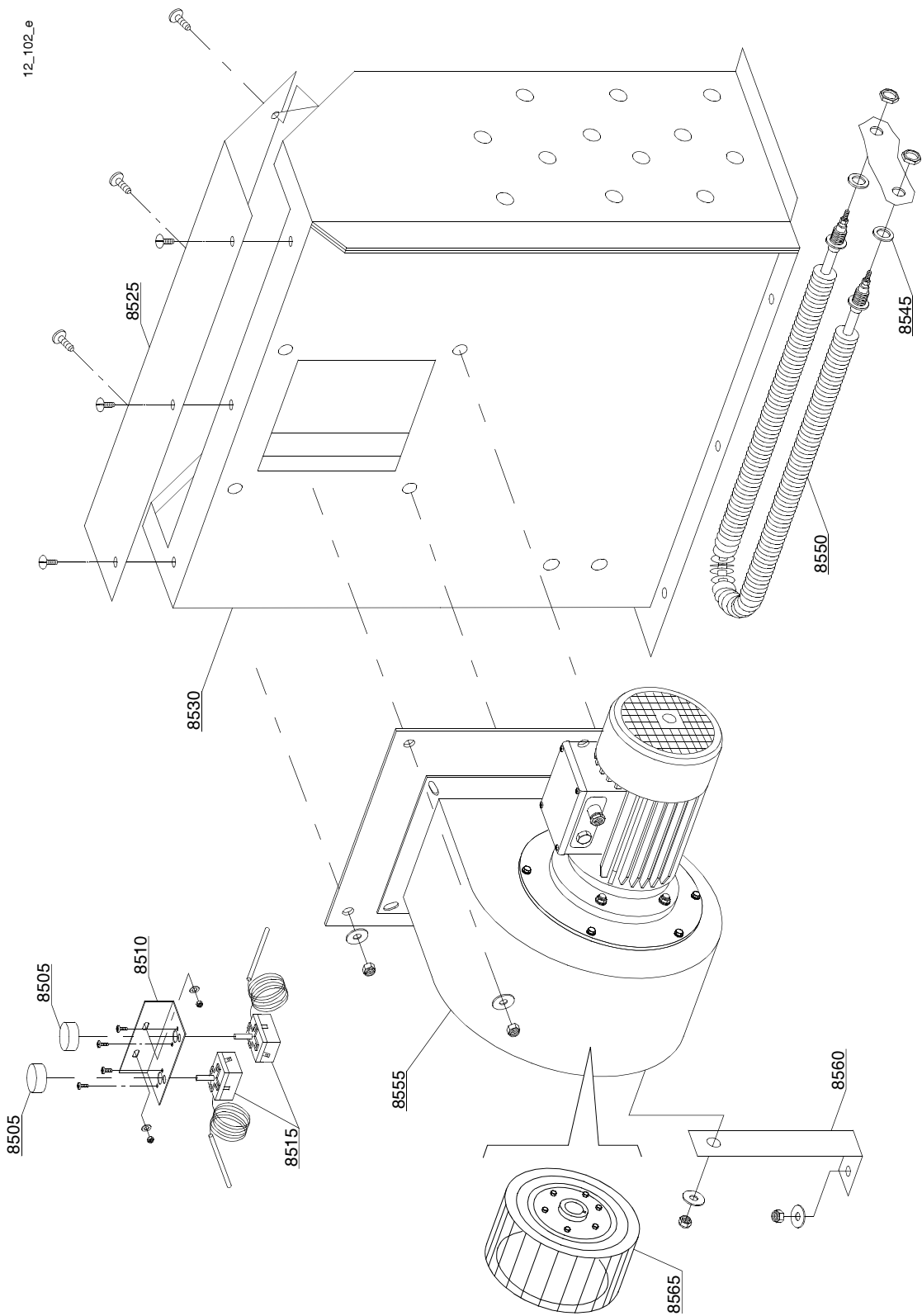
Spare parts

ID	P-code	Model	Type	Accessory	Voltage	Description
MODULE:Dryer LC9 0/4 (18kW) - part 1						
23200	3009362/A		25	d94		Protection
23205	3009330		25	d94		Cover panel
23210	3009494		25	d94		Complete body
23215	3009495		25	d94		Dryer module
23220	3009333		25	d94		Front slideways
23225	3009332		25	d94		Back slideways
23230	3009441		25	d94		Splash guard
23235	3009440		25	d94		Splash guard
23240	3000252		25	d94		Adjustable food
23245	3003064		25	d94		Legs with support
23250	3004166		25	d94		Grease nipple
23255	3009112		25	d94		Microswitch support
23260	3003112		25	d94		Door microswitch
N.B.: NO MORE MADE. AVAILABLE ONLY SPARE PARTS.						



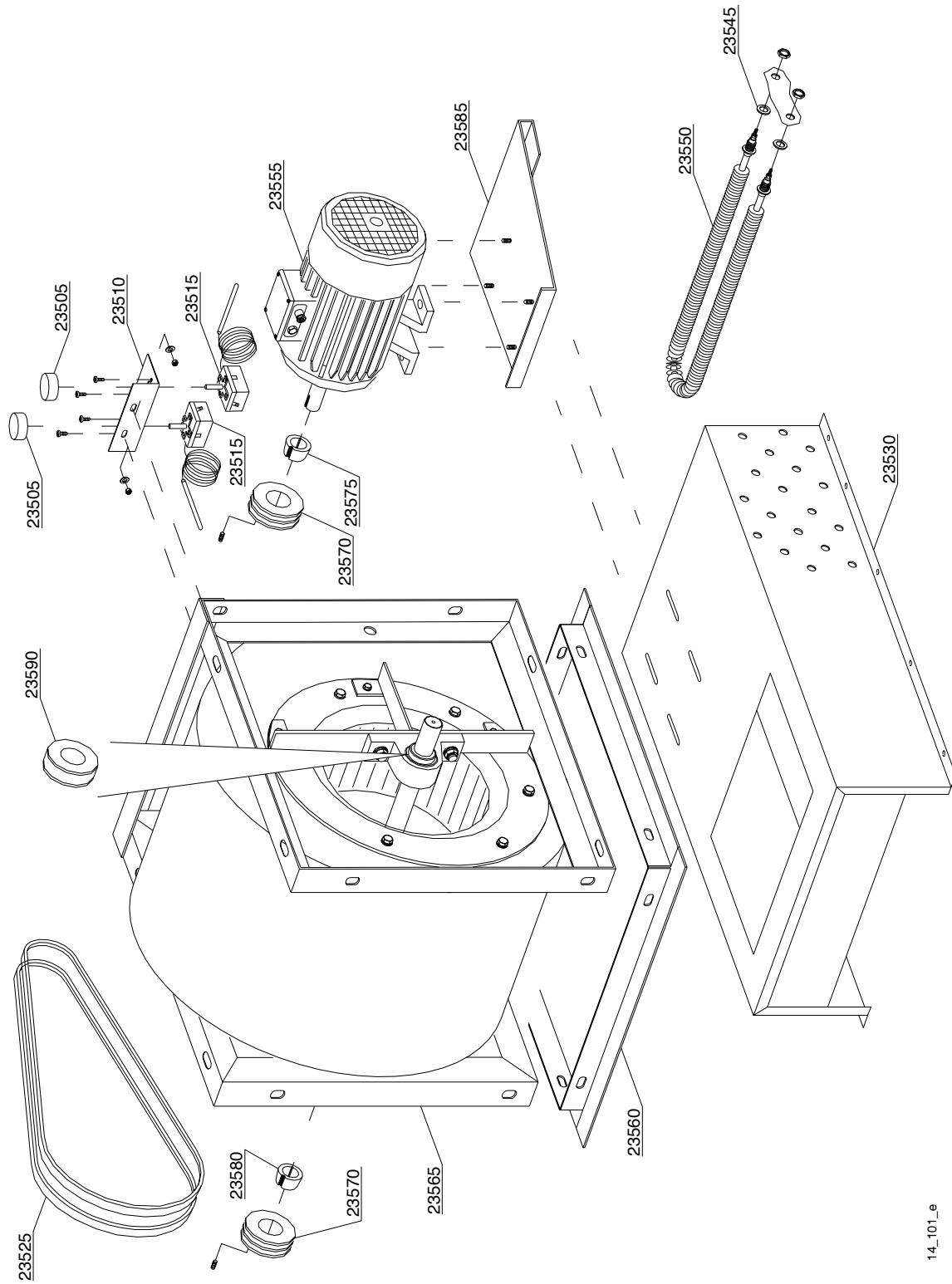
Spare parts

ID	P-code	Model	Type	Accessory	Voltage	Description
MODULE:Dryer LC 90 (6kW) - part 2						
8305	15105/A		25	d9		Thermostat knob
8310	3009104		25	d9		Thermostat support
8315	10707/2		25	d9		Thermostat with shaft 0 - 90°
8325	3009085		25	d9		Cover drying conveyer
8330	3009486		25	d9		Right drying conveyer
8330	3009487		25	d9		Left drying conveyer
8345	10200171		25	d9		Gasket FASIT 25x17x2
8350	2000359		25	d9		Drying heating element with nut
8355	3000300		25	d9	A	Motorfan 0,55 kW
8360	3009214		25	d9		Motorfan support
8365	3009275		25	d9		Flange
8370	3000308		25	d9		Pump rotor



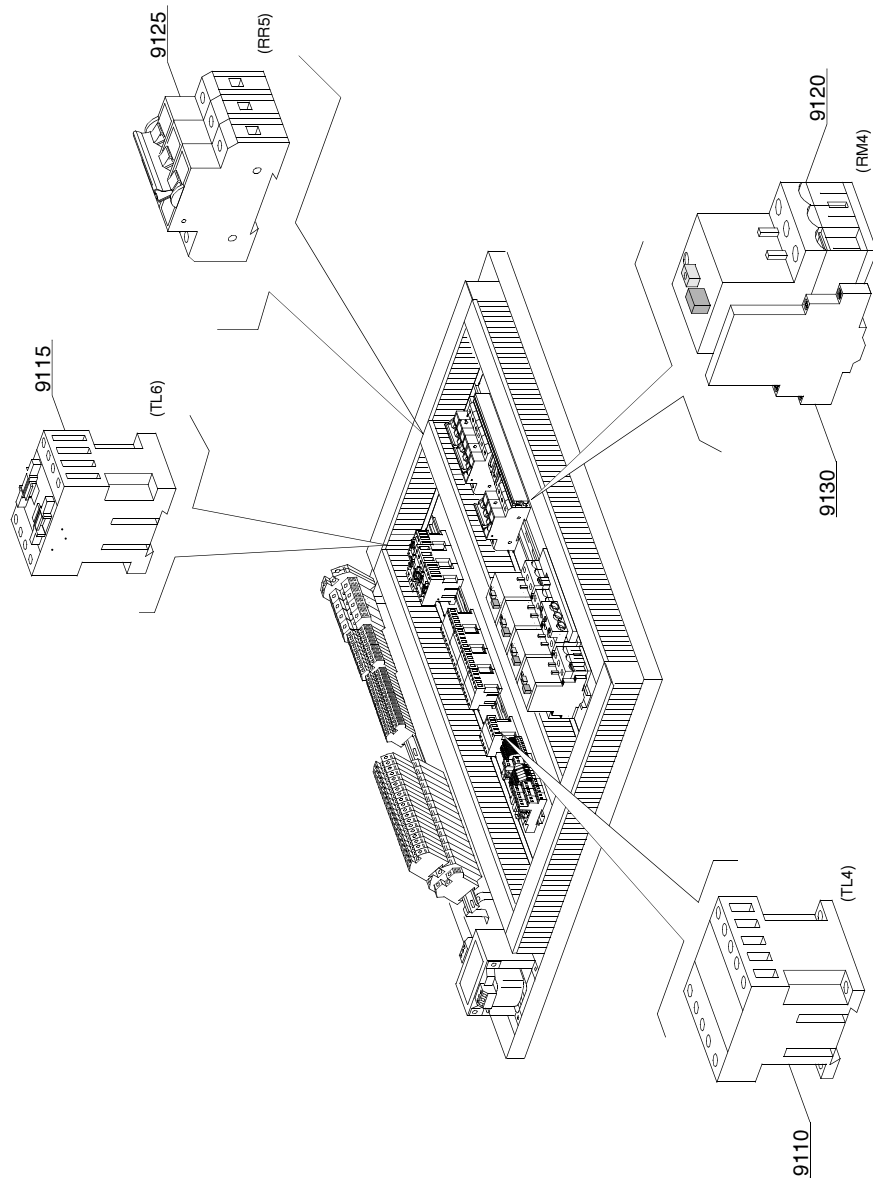
Spare parts

ID	P-code	Model	Type	Accessory	Voltage	Description
MODULE:Dryer LC 90/2 (12kW) - part 2						
8505	15105/A		25	d92,974,975		Thermostat knob
8510	3009104		25	d92,974,975		Thermostat support
8515	10707/2		25	d92,974,975		Thermostat with shaft 0 - 90°
8525	3009085		25	d92,974,975		Cover drying conveyer
8530	3009488		25	d92,974,975		Right drying conveyer
8530	3009489		25	d92,974,975		Left drying conveyer
8545	10200171		25	d92,974,975		Gasket FASIT 25x17x2
8550	2000359		25	d92,974,975		Drying heating element with nut
8555	3003118		25	d92,974,975		Motorfan 0.75 kW
8555	3000301		25	d92,974,975		Motorfan 1,5 kW
8560	3009214		25	d92,974,975		Motorfan support
8565	3003119		25	d92,974,975		Pump rotor



14_101_e

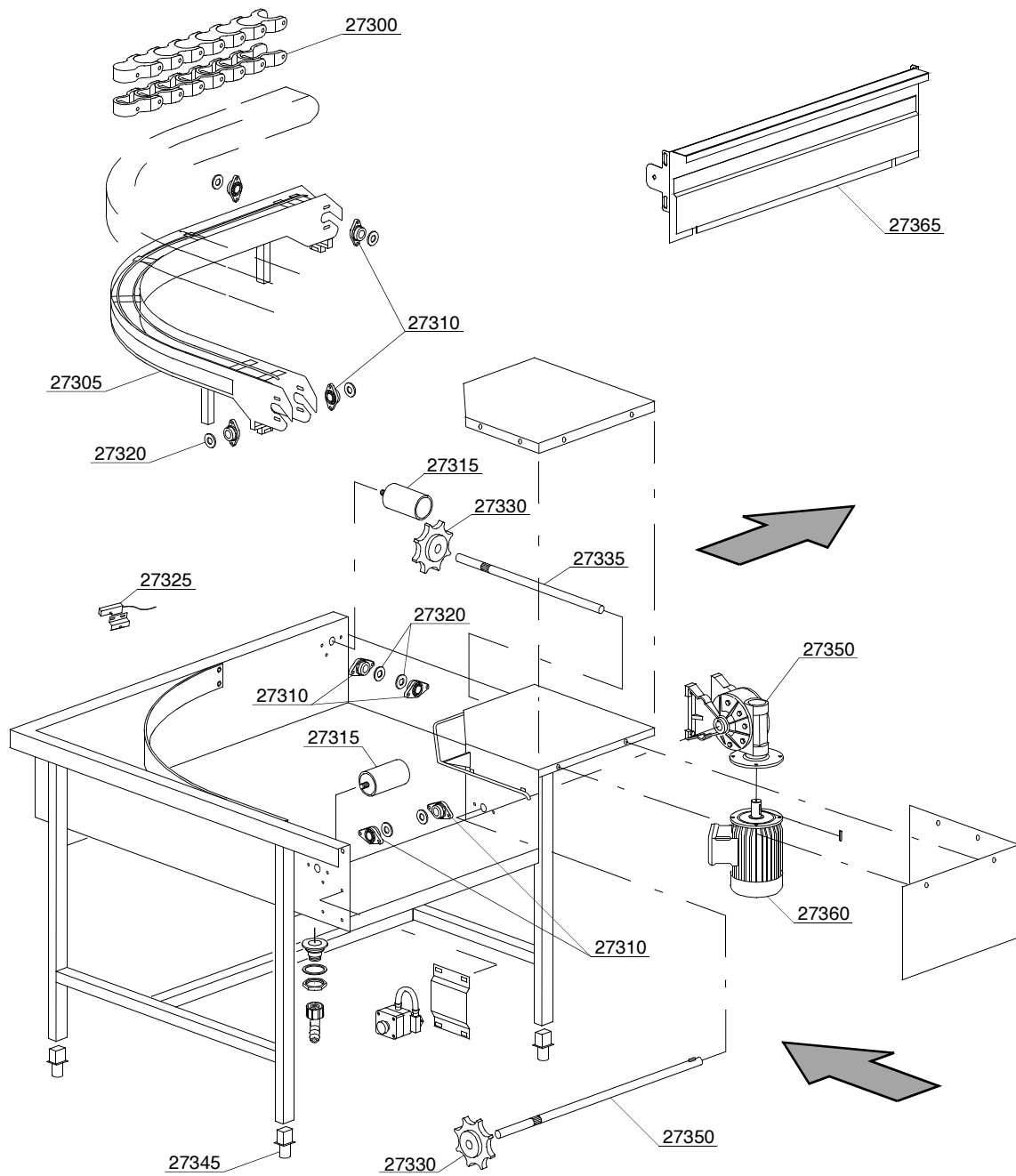
ID	P-code	Model	Type	Accessory	Voltage	Description
MODULE:Dryer LC 90/4 (18kW) - part 2						
23505	15105/A		25	d94		Thermostat knob
23510	3009104		25	d94		Thermostat support
23515	10707/2		25	d94		Thermostat with shaft 0 - 90°
23525	3000303		25	d94		Driving belt
23530	3009496		25	d94		Right heating element support
23530	3009497		25	d94		Left heating element support
23545	10200171		25	d94		Gasket FASIT 25x17x2
23550	2000359		25	d94		Drying heating element with nut
23555	3000114		25	d94	A	Motor 1,5 kW
23560	3009426		25	d94		Fan support
23565	3000302		25	d94		Fan
23570	3000304		25	d94		Belt pulley
23575	3000305		25	d94		Bush Ø 24mm
23580	3000306		25	d94		Bush Ø 25mm
23585	3009425		25	d94		Motor support
23590	---		25	d94		Bearing ISO 5757
N.B.: NO MORE MADE. AVAILABLE ONLY SPARE PARTS.						



112102_e

Spare parts

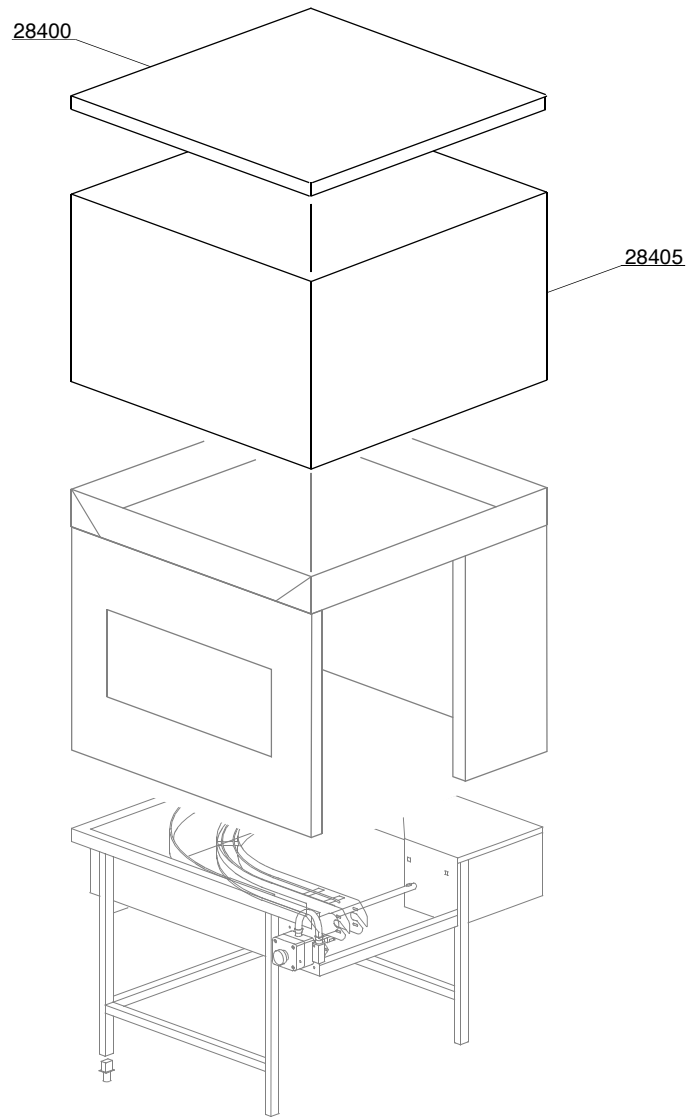
ID	P-code	Model	Type	Accessory	Voltage	Description
MODULE:Dryer LC 90 - LC 90/2 -LC 90/4 (6 - 12 - 18kW) - electric components						
9110	2000370		25	d9,d92,974,975,d94	A	Contacteur MC9
9115	2000380		25	d9	A	Contacteur BF12 (LC90 - 6kW)
9115	2000385		25	d92,974,975	A	Contacteur BF20 (LC90/2 - 12kW)
9115	10300064		25	d94	A	Contacteur BF32 (LC90/4 - 18kW)
9120	2000394		25	d9,d92	A	Motorprotector 2,5-4A (Motorfan 0,75 kW)
9120	2000400		25	d92,974,975	A	Motorprotector 4-6,3A (Motorfan 1,5 kW)
9120	2000400		25	d94	A	Motorprotector 4-6,3A (Motor 1,5 kW)
9125	2000403		25	d9	A	Automatic fuse C16 (LC90 - 6kW)
9125	2000404		25	d92,974,975	A	Automatic fuse C25 (LC90/2 - 12kW)
9125	2000409		25	d94	A	Automatic fuse C40 (LC90/4 - 18kW)
9130	3006080		25	d9,d92,974,975,d94	A	Auxiliary contact LMS25



15_001_e

Spare parts

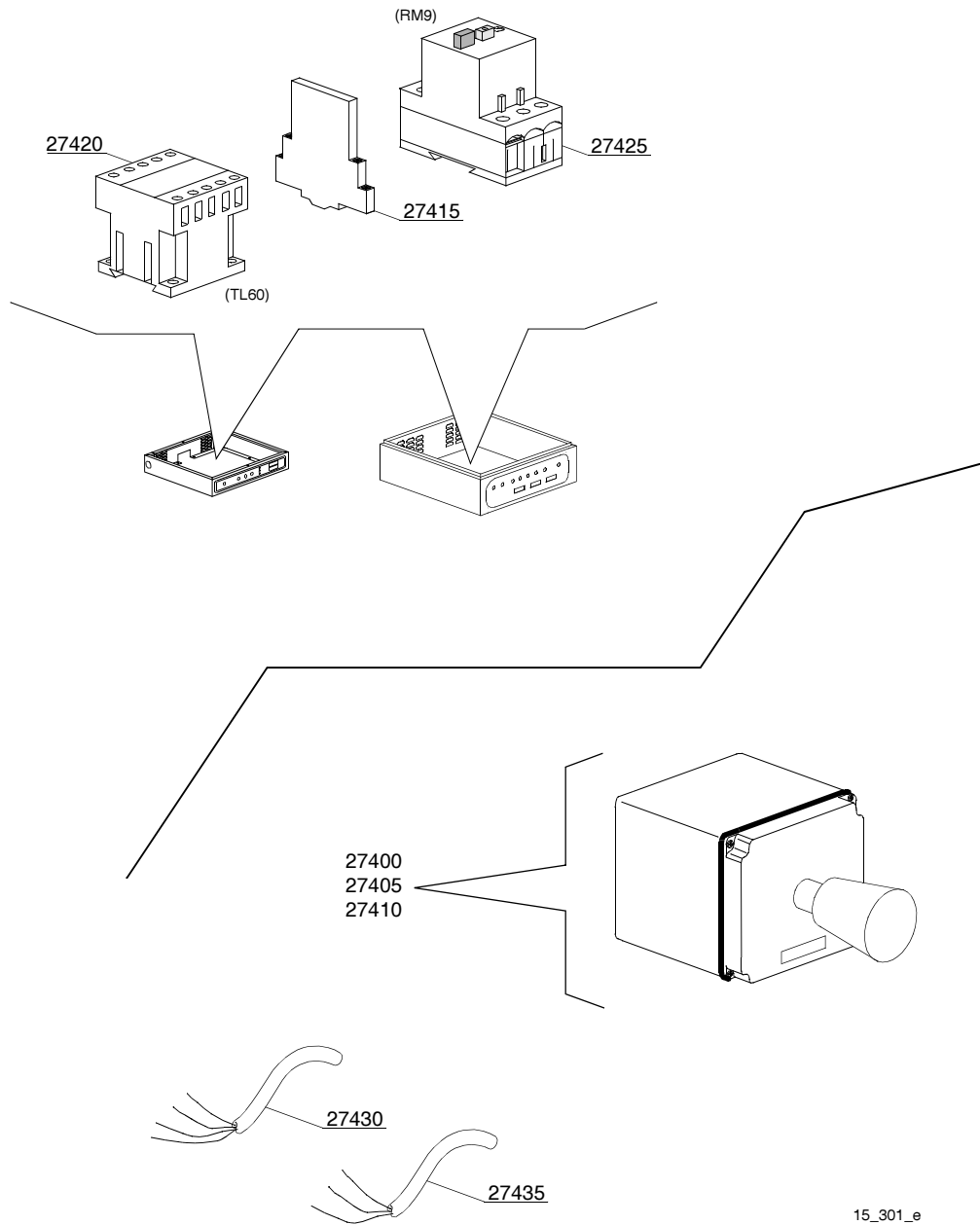
ID	P-code	Model	Type	Accessory	Voltage	Description
MODULE:Motorized curve 90° - LC 97/2						
27300	3000259		25	972,974		Chain for roller
27305	3003057		25	972,974		Kit guide for chain
27310	3000260		25	972,974		Flange for chain
27315	3000262		25	972,974		Ø50x80 embossment roller
27320	3003048		25	972,974		Spacer for bearings
27325	3003112		25	972,974		Door microswitch
27330	3000261		25	972,974		8 teeth pinion
27335	3003050		25	972,974		Neutral shaft for chain
27345	3000252		25	972,974		Adjustable food
27350	3003047		25	972,974		Shaft for chain rotation
27350	3000254		25	972,974		Gear right 1:100
27360	3000110		25	972,974	A	Conveyor motor
27360	3000109		25	972,974		Conveyor motor
27360	3000251		25	972,974	A	Conveyor motor



15_101_e

Spare parts

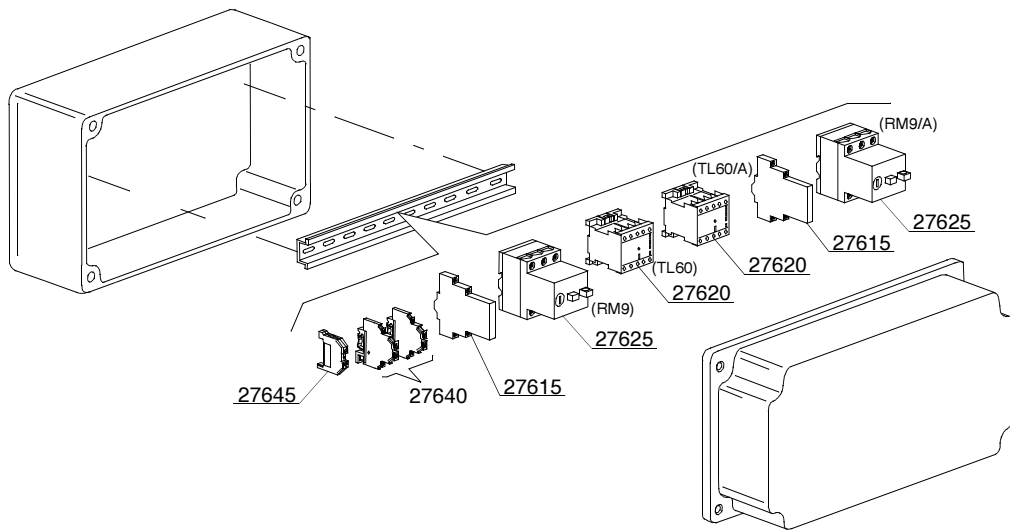
ID	P-code	Model	Type	Accessory	Voltage	Description
MODULE:Dryer motorized curve 90° - LC 97/4						
28400	3009326		25	974		Cover panel
28405	3009511		25	974		Carter



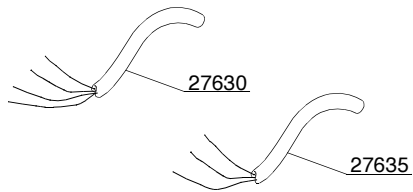
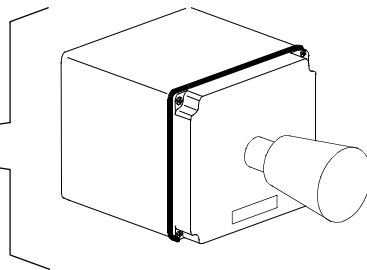
15_301_e

Spare parts

ID	P-code	Model	Type	Accessory	Voltage	Description
MODULE:Motorized curve 90° - LC 97/2: electric parts						
27400	3000264		25	972,974		Emergency box
27405	3000263		25	972,974		Emergency switch
27410	3002059		25	972,974		1R contact
27415	3006080		25	972,974		Auxiliary contact LMS25
27420	2000370		25	972,974		Contacteur MC9
27425	2000390		25	972,974		Motorprotector 1 - 1.6A
27430	3006134		25	972,974		Flame-retardant cable 4x1,5mm
27435	3006136		25	972,974		Flame-retardant cable 3x1mm



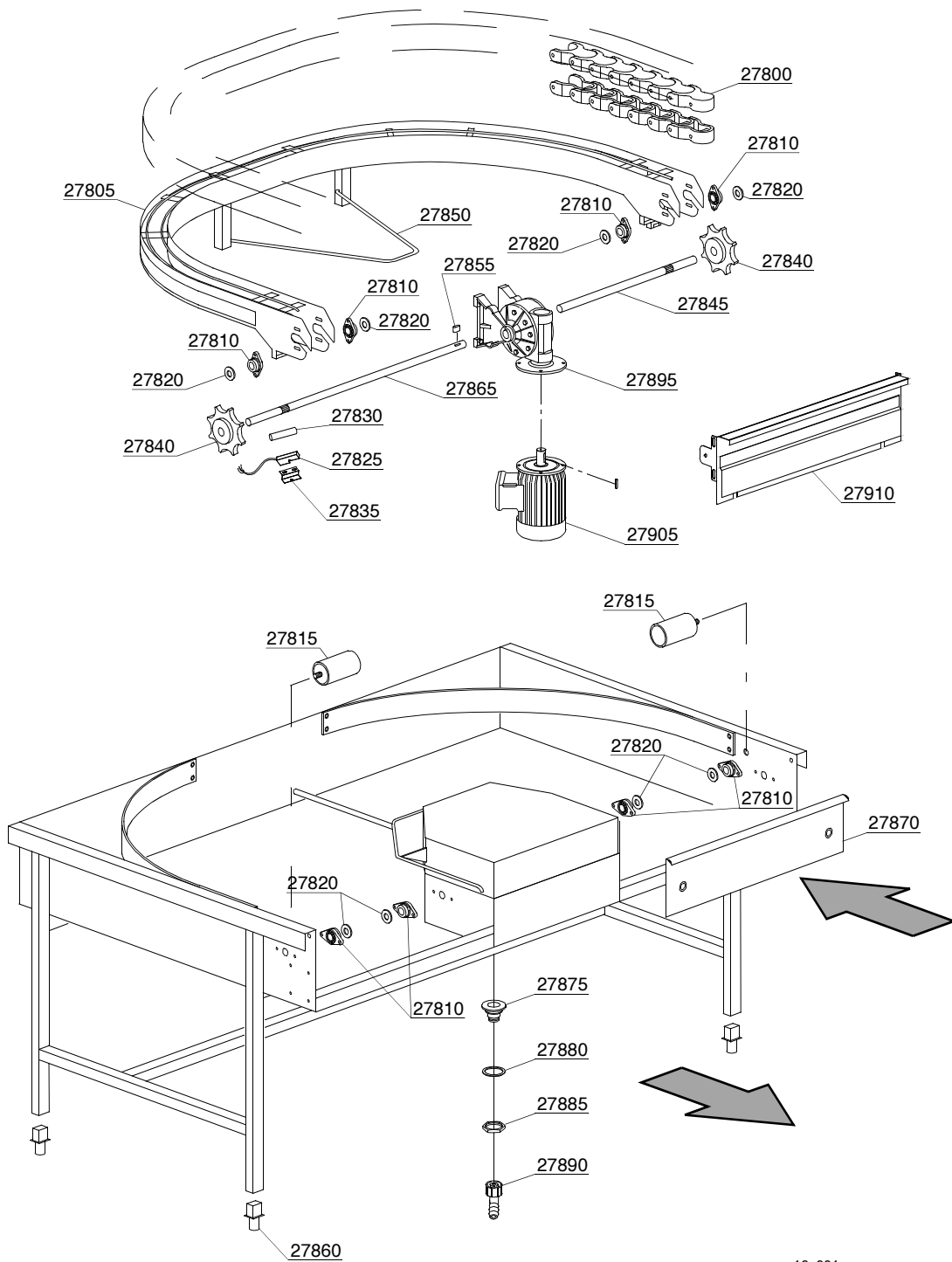
27600
27605
27610



15_303_e

Spare parts

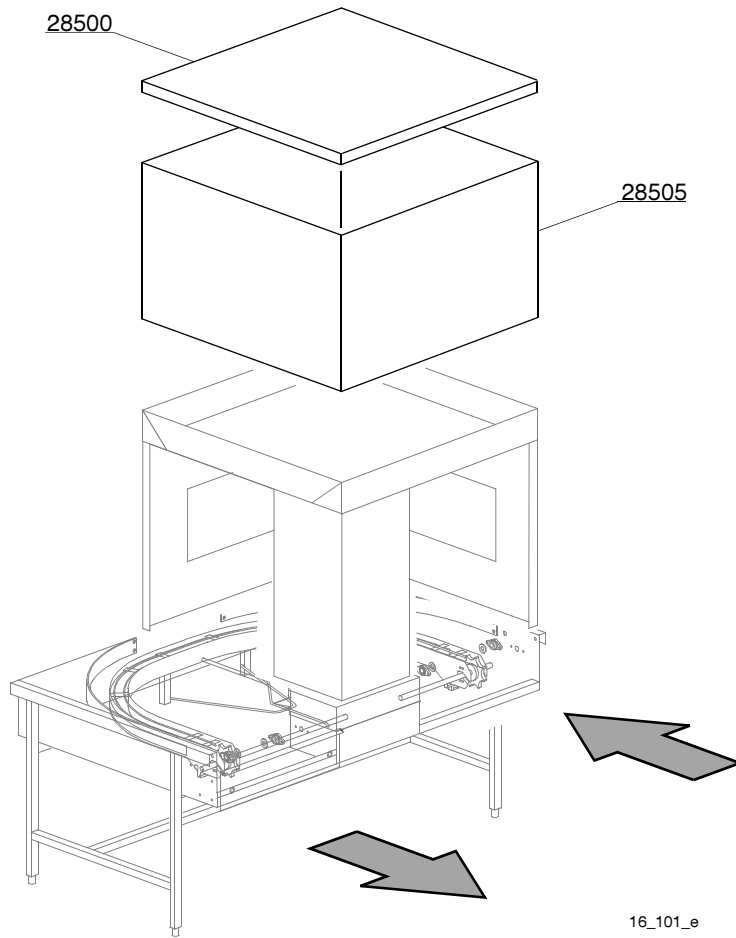
ID	P-code	Model	Type	Accessory	Voltage	Description
MODULE:Motorized curve 90° - LC 97/2: electric parts double speed - remote control						
27600	3000264		25	972,974		Emergency box
27605	3000263		25	972,974		Emergency switch
27610	3002059		25	972,974		1R contact
27615	3006080		25	972,974		Auxiliary contact LMS25
27620	2000370		25	972,974		Contacteur MC9
27625	2000390		25	972,974		Motorprotector 1 - 1.6A
27630	3006134		25	972,974		Flame-retardant cable 4x1,5mm
27635	3006136		25	972,974		Flame-retardant cable 3x1mm
27640	3006092		25	972,974		Clamp 4mm
27645	10300401		25	972,974		Earth clamp 4mm



16_001_e

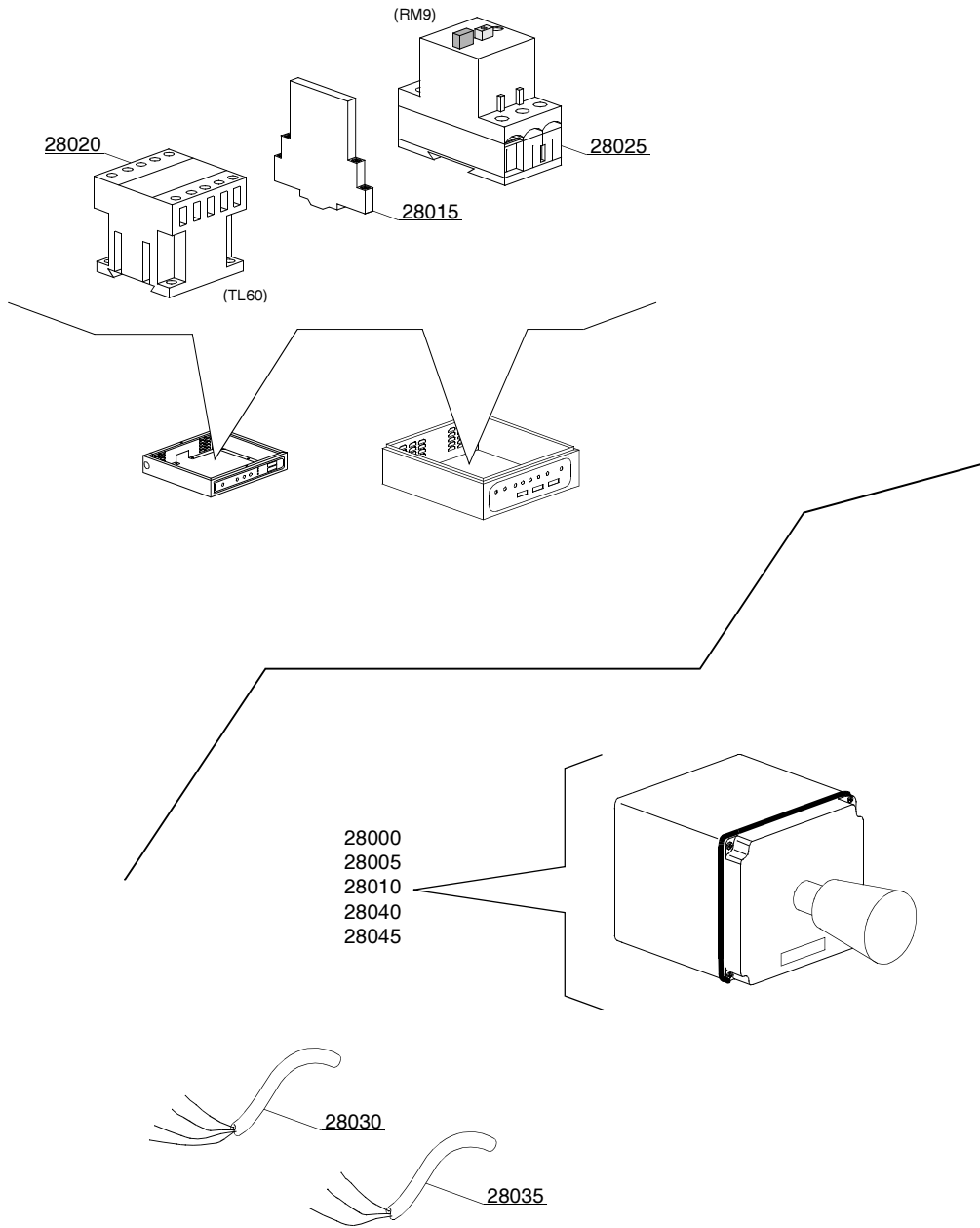
Spare parts

ID	P-code	Model	Type	Accessory	Voltage	Description
MODULE:Motorized curve 180° - LC 97/3						
27800	3000259		25	973,975		Chain for roller
27805	3003056		25	973,975		Kit guide for chain
27810	3000260		25	973,975		Flange for chain
27815	3000262		25	973,975		Ø50x80 embossment roller
27820	3003048		25	973,975		Spacer for bearings
27825	3003112		25	973,975		Door microswitch
27830	80232		25	973,975		Magnet for reed
27835	3009112		25	973,975		Holder for reed micro door
27840	3000261		25	973,975		8 teeth pinion
27845	3003051		25	973,975		Neutral shaft for chain
27850	3003053		25	973,975		Lifting arm for chain guide
27855	2001045		25	973,975		6x6x25 machine key
27860	3000252		25	973,975		Adjustable food
27865	3003047		25	973,975		Shaft for chain rotation
27870	3009609		25	973,975		Protection panel
27875	10200113		25	973,975		Floor drain
27880	10200173		25	973,975		75x58x2 gasket
27885	10200114		25	973,975		Drain floor nut
27890	15613		25	973,975		"1" 1/4x30 nylon elbow"
27895	3000254		25	973,975		Gear right 1:100
27905	3000110		25	973,975	A	Conveyor motor
27905	3000109		25	973,975		Conveyor motor
27905	3000251		25	973,975	A	Conveyor motor



Spare parts

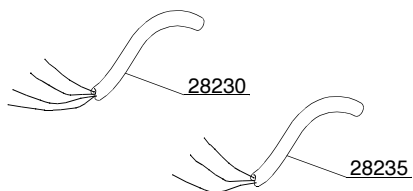
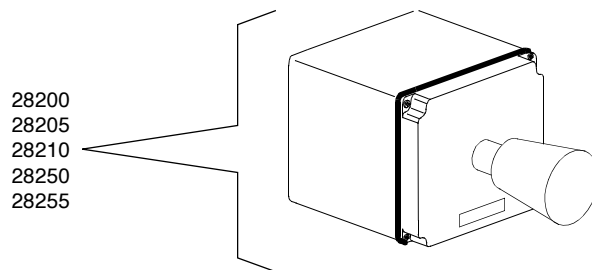
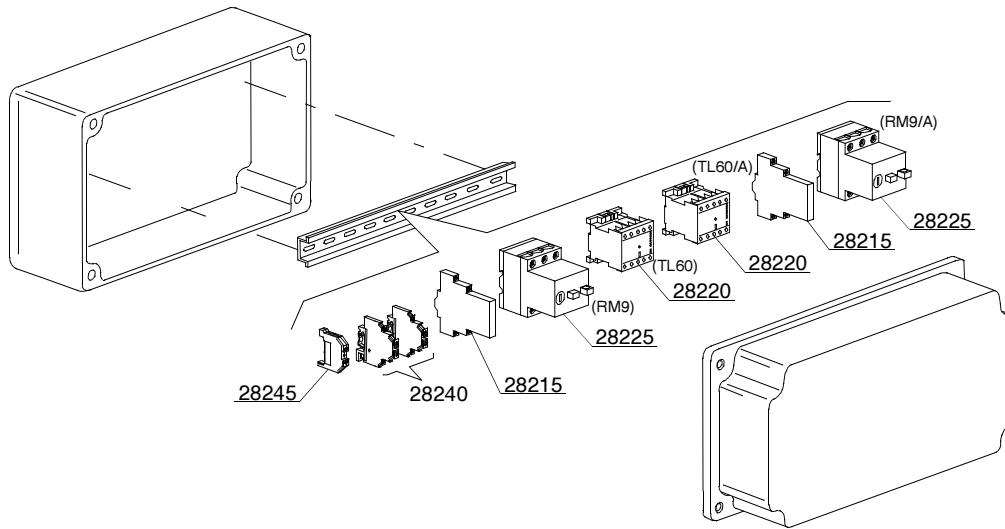
ID	P-code	Model	Type	Accessory	Voltage	Description
MODULE:Dryer motorized curve 180° - LC 97/5						
28500	3009326		25	975		Cover panel
28505	3009511		25	975		Carter



16_301_e

Spare parts

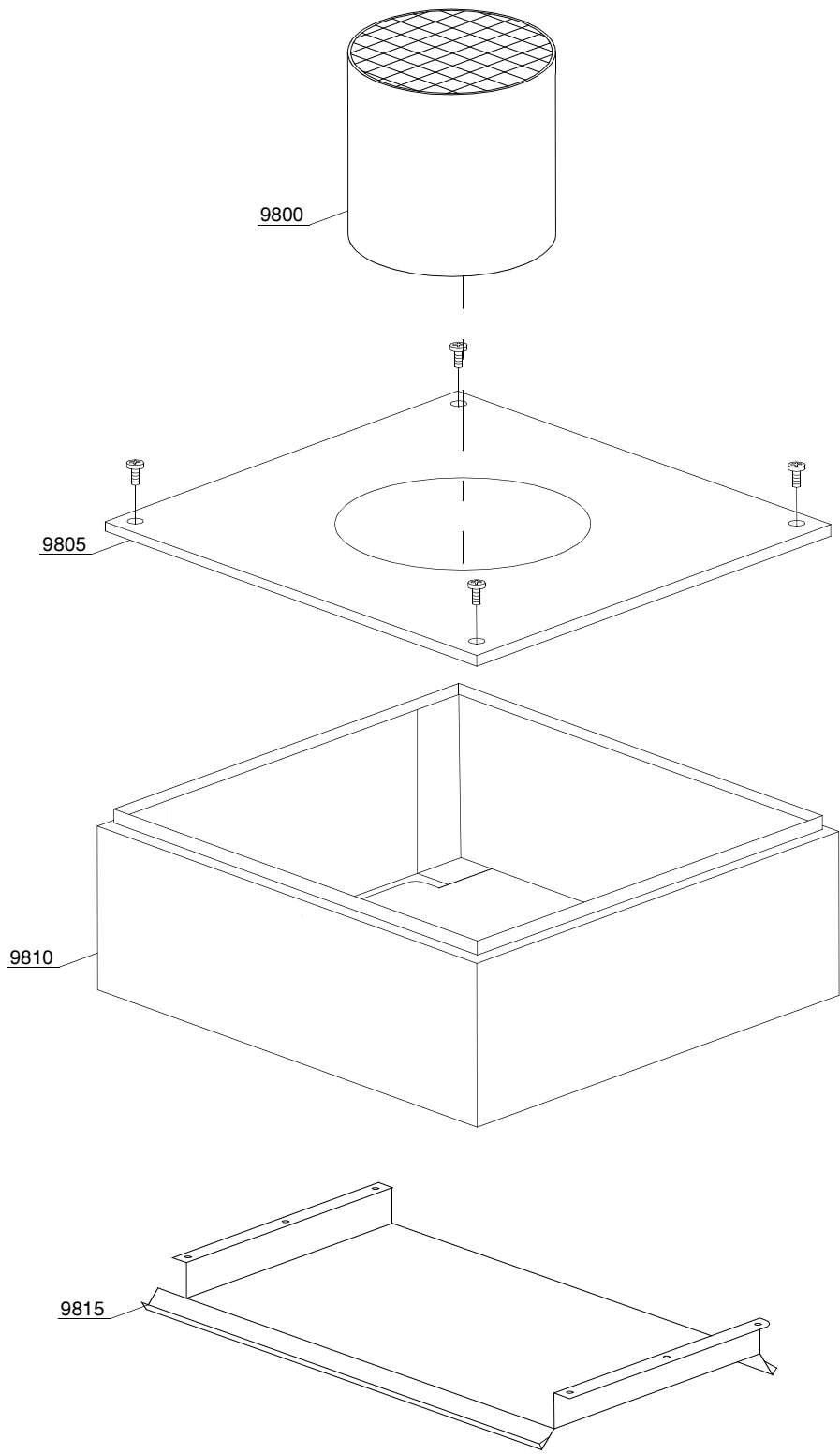
ID	P-code	Model	Type	Accessory	Voltage	Description
MODULE:Motorized curve 180° - LC 97/3: electric parts						
28000	3000264		25	973,975		Emergency box
28005	3000263		25	973,975		Emergency switch
28010	3002059		25	973,975		1R contact
28015	3006080		25	973,975		Auxiliary contact LMS25
28020	2000370		25	973,975		Contacto MC9
28025	2000390		25	973,975		Motorprotector 1 - 1.6A
28030	3006134		25	973,975		Flame-retardant cable 4x1,5mm
28035	3006136		25	973,975		Flame-retardant cable 3x1mm
28040	3000266		25	973,975		Male connector with support
28045	3000267		25	973,975		Female connector with support



16_303_e

Spare parts

ID	P-code	Model	Type	Accessory	Voltage	Description
MODULE:Motorized curve 180° - LC 97/3: electric parts double speed - remote control						
28200	3000264		25	973,975		Emergency box
28205	3000263		25	973,975		Emergency switch
28210	3002059		25	973,975		1R contact
28215	3006080		25	973,975		Auxiliary contact LMS25
28220	2000370		25	973,975		Contactore MC9
28225	2000390		25	973,975		Motorprotector 1 - 1.6A
28230	3006134		25	973,975		Flame-retardant cable 4x1,5mm
28235	3006136		25	973,975		Flame-retardant cable 3x1mm
28240	3006092		25	973,975		Clamp 4mm
28245	10300401		25	973,975		Earth clamp 4mm
28250	3000266		25	973,975		Male connector with support
28255	3000267		25	973,975		Female connector with support

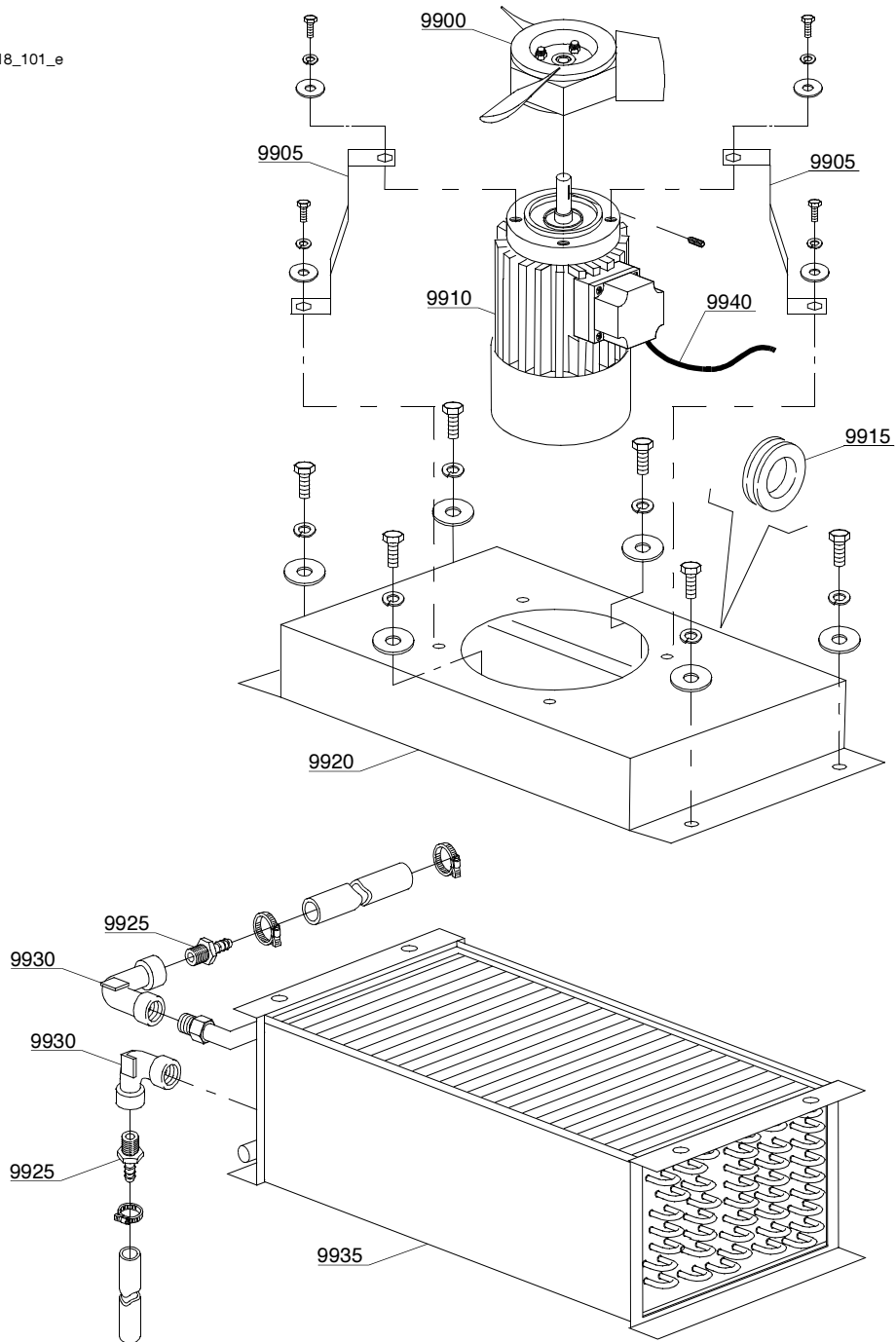


18_001_e

Spare parts

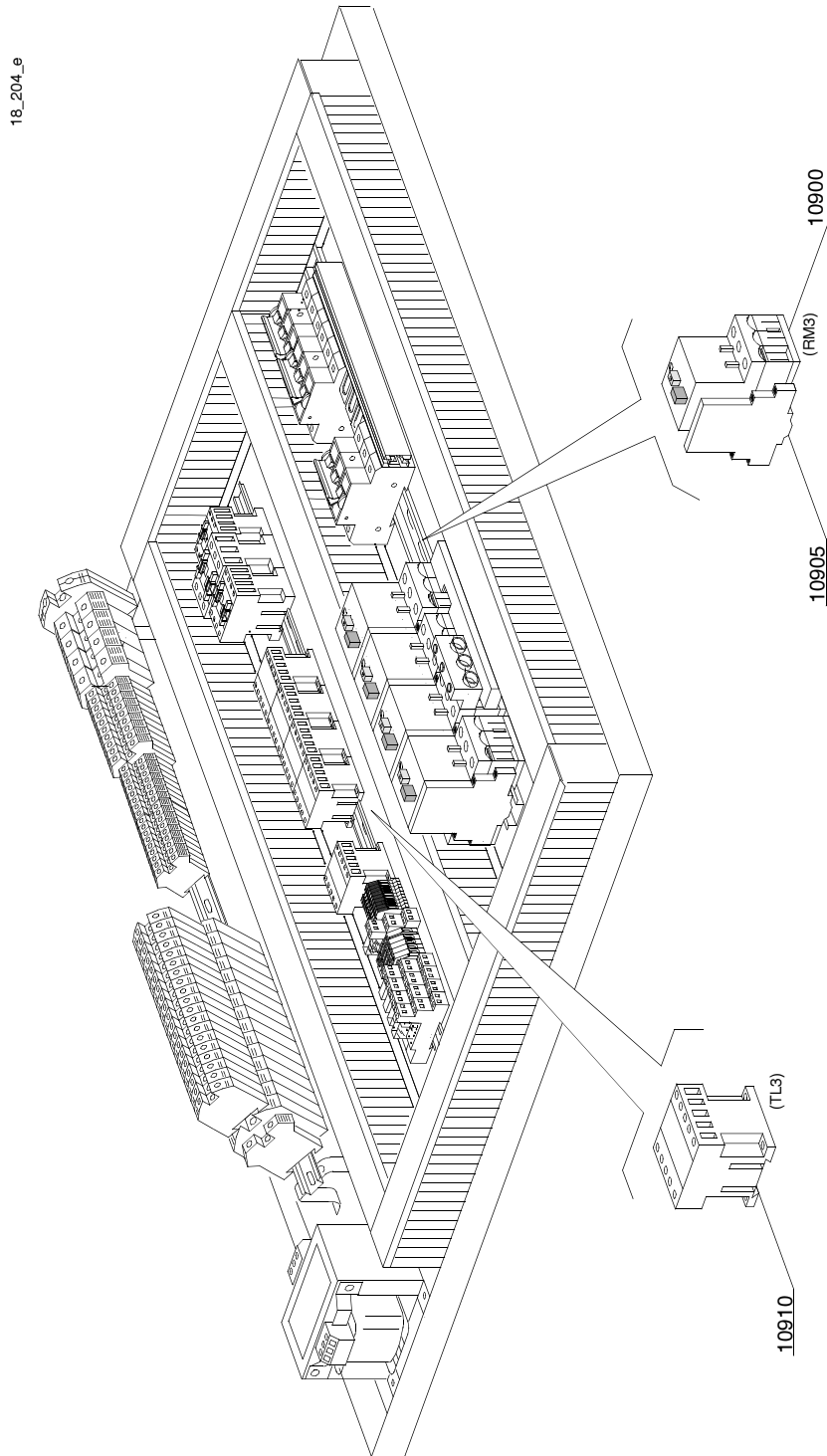
ID	P-code	Model	Type	Accessory	Voltage	Description
MODULE:Steam condenser - part 1						
9800	3009499		25	sc9		Chimney
9805	3009306		25	sc9		Cover with hole
9810	3009502		25	sc9		Complete body
9815	3009090		25	sc9		Suction group

18_101_e



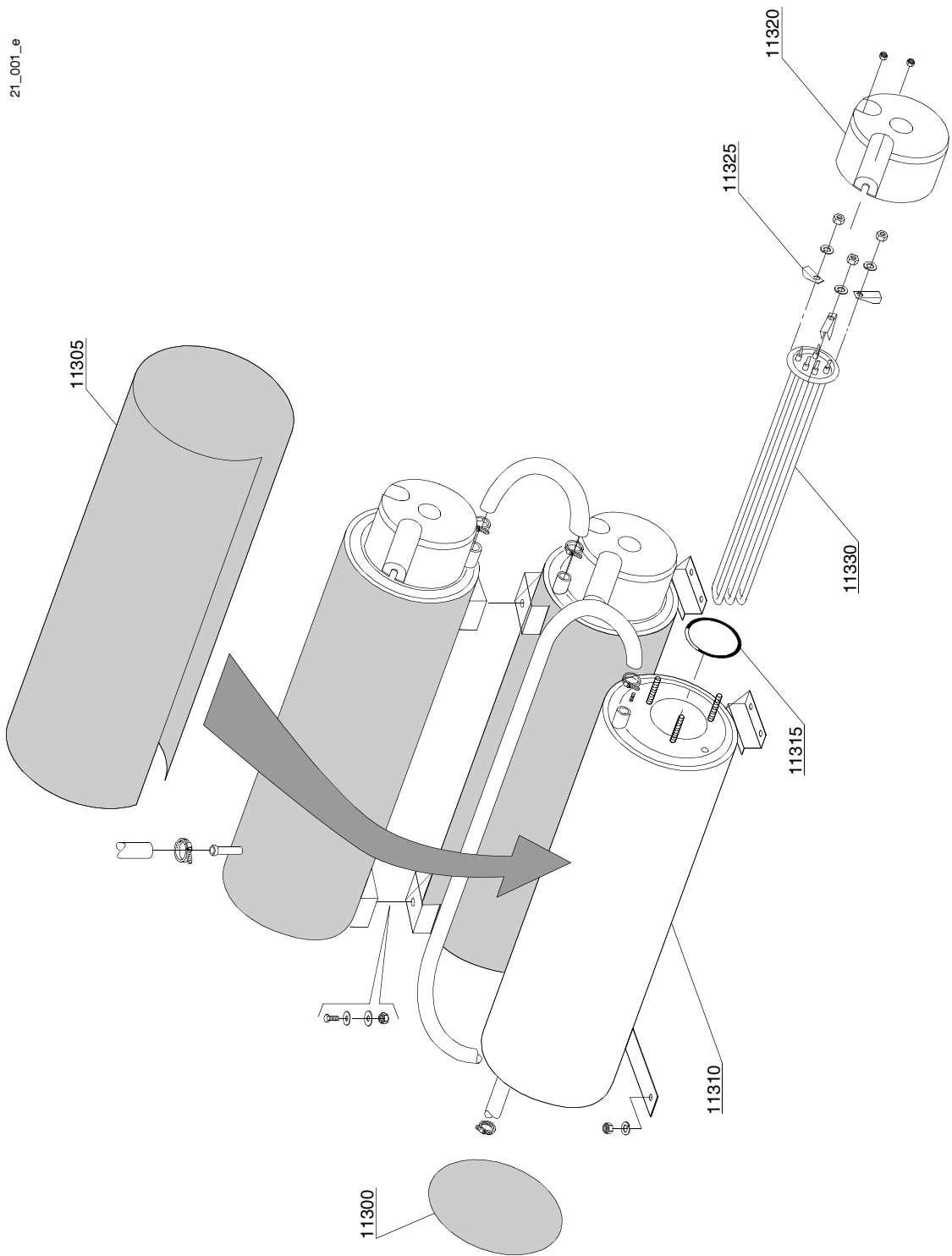
Spare parts

ID	P-code	Model	Type	Accessory	Voltage	Description
MODULE:Steam condenser - part 2						
9900	3000125		25	sc9		Impeller fan
9905	3009106		25	sc9		Motor holder
9910	3000120		25	sc9	A	Motor 0.18KW
9915	13329		25	sc9		Fairlead
9920	3009079		25	sc9		Steam condenser base
9925	12023		25	sc9		Hose holder
9930	3002139		25	sc9		Elbow
9935	3000155		25	sc9		Heating recovery battery
9940	15184		25	sc9		Cable



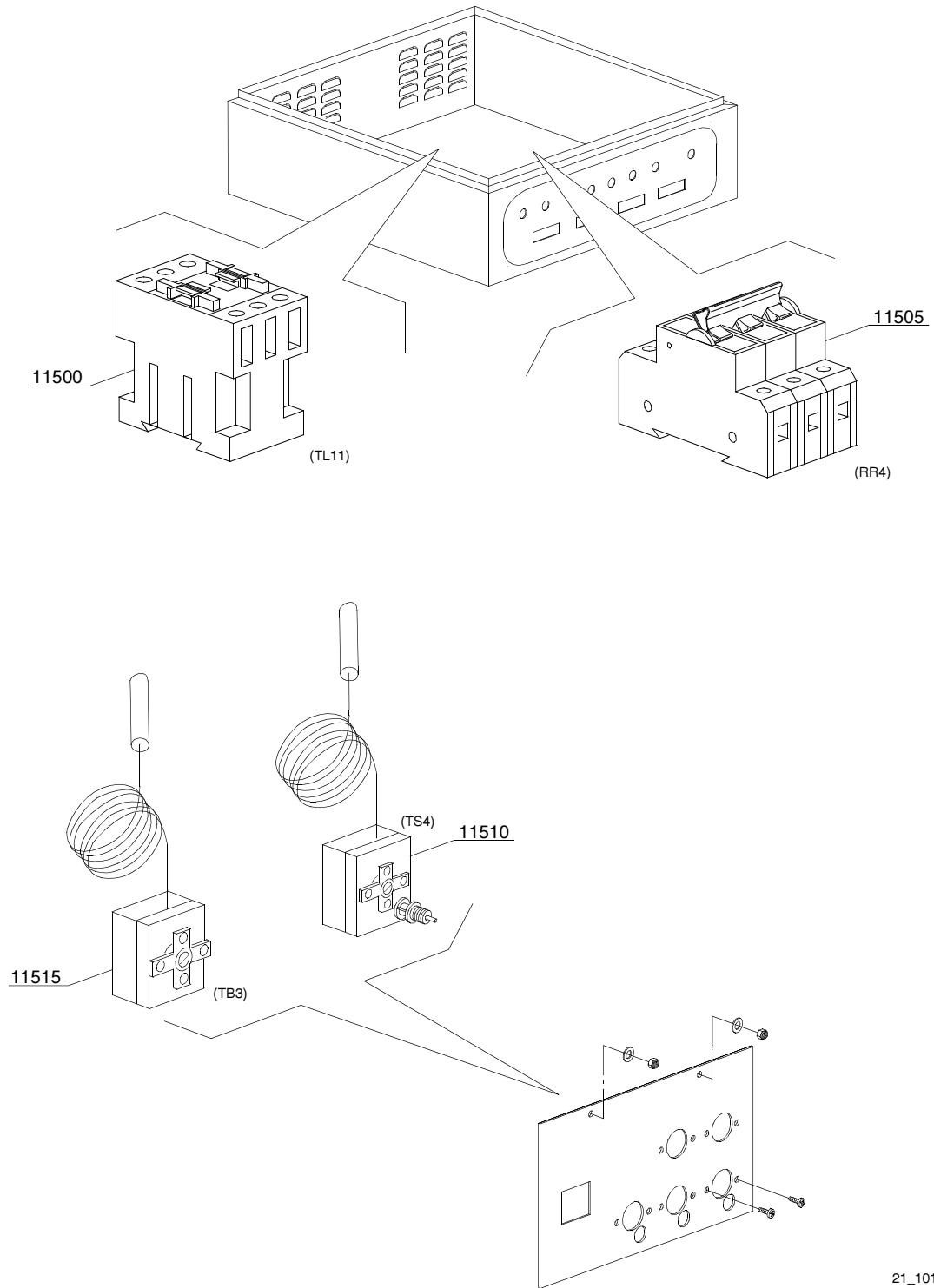
Spare parts

ID	P-code	Model	Type	Accessory	Voltage	Description
MODULE:Steam condenser - part 3						
10900	2000390		25	sc9	A	Motorprotector 1 - 1.6A
10905	3006080		25	sc9	A	Auxiliary contact LMS25
10910	2000370		25	sc9	A	Contactactor MC9



Spare parts

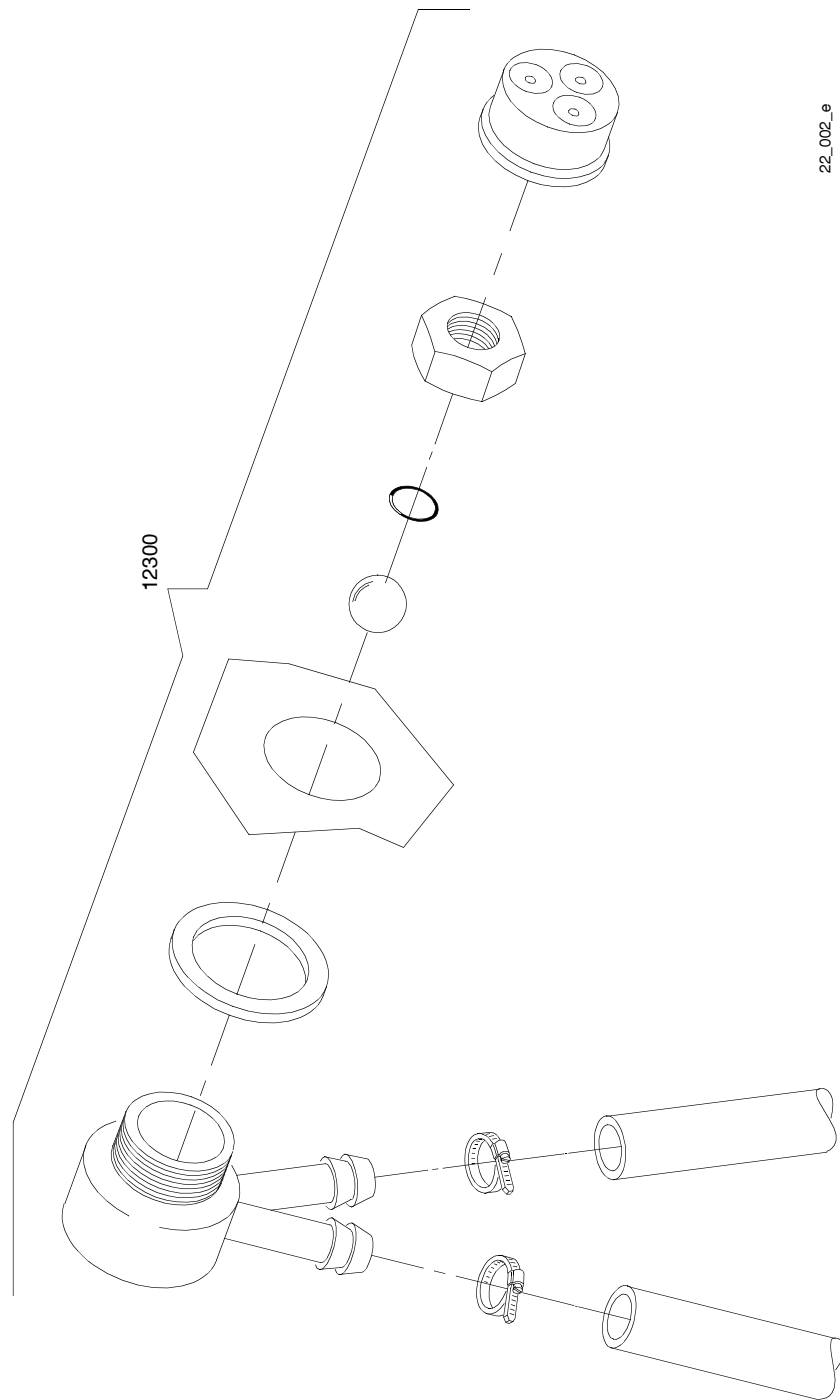
ID	P-code	Model	Type	Accessory	Voltage	Description
MODULE:Additional boiler components						
11300	75205		25	cw		Bottom boiler insulating
11305	30002030		25	cw		Boiler insulating
11310	3007012		25	cw		Boiler
11315	13015		25	cw		O-ring 160 (6225)
11320	75311		25	cw		Heating element cover
11325	16045		25	cw		Heating element support Ø6,3
11330	30001010		25	cw	A	Heating element 6kW
11330	30001011		25	cw	A	Heating element 9kW
11330	30001011/A		25	cw	A	Heating element 12kW
11330	30001011/B		25	cw	A	Heating element 14kW



21_101_ε

Spare parts

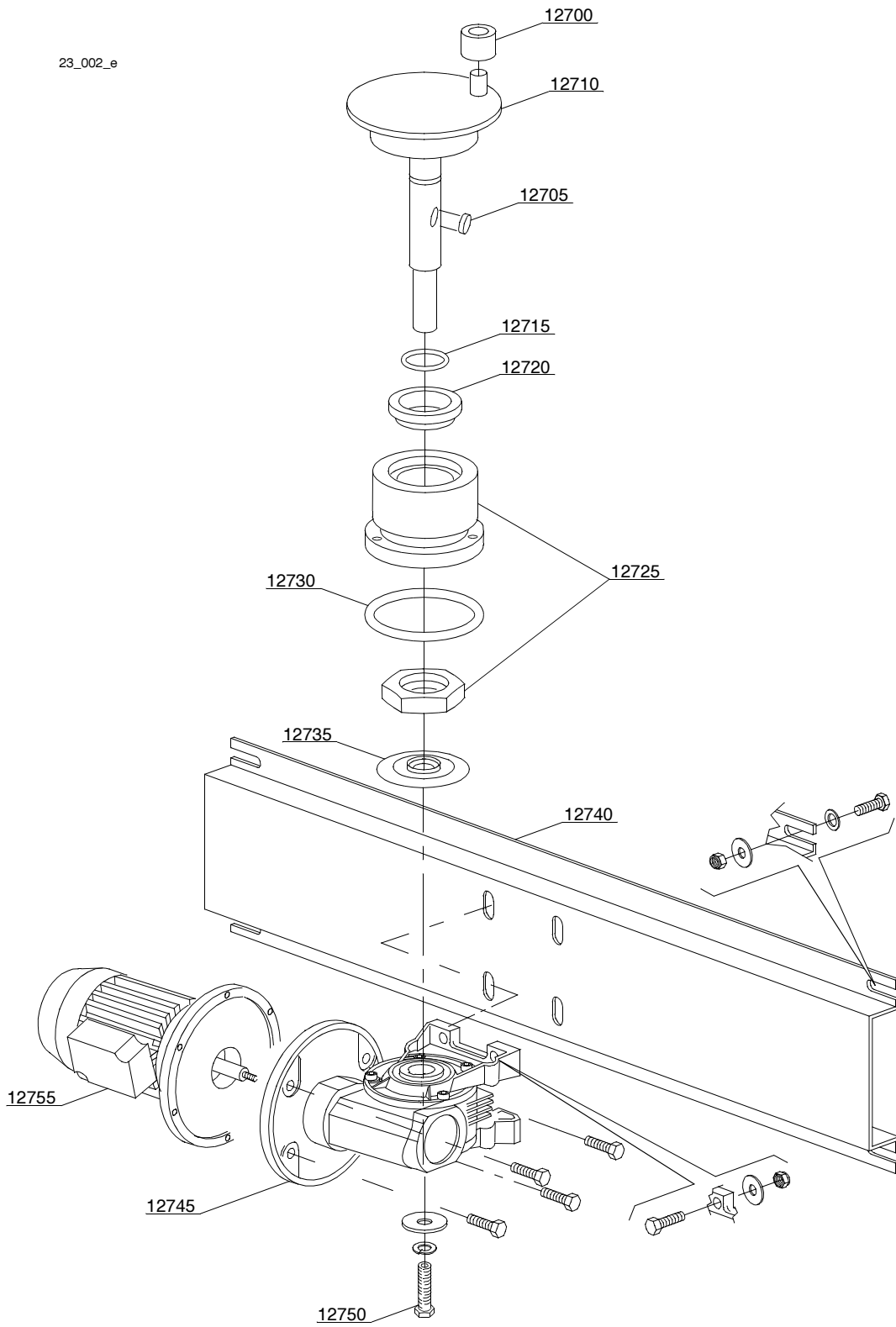
ID	P-code	Model	Type	Accessory	Voltage	Description
MODULE:Additional boiler: electrical components						
11500	2000380		25	cw	A	Contactactor BF12 (heating element < 9 kW)
11500	2000385		25	cw	A	Contactactor BF20 (heating element > 9 kW)
11505	2000403		25	cw	A	Automatic fuse C20 (heating element < 9 kW)
11505	2000404		25	cw	A	Automatic fuse C25 (heating element > 9 kW)
11510	2000430		25	cw		Safety thermostat
11515	10707/1		25	cw		Thermostat 0 - 90° (TB2)



22_002_e

Spare parts

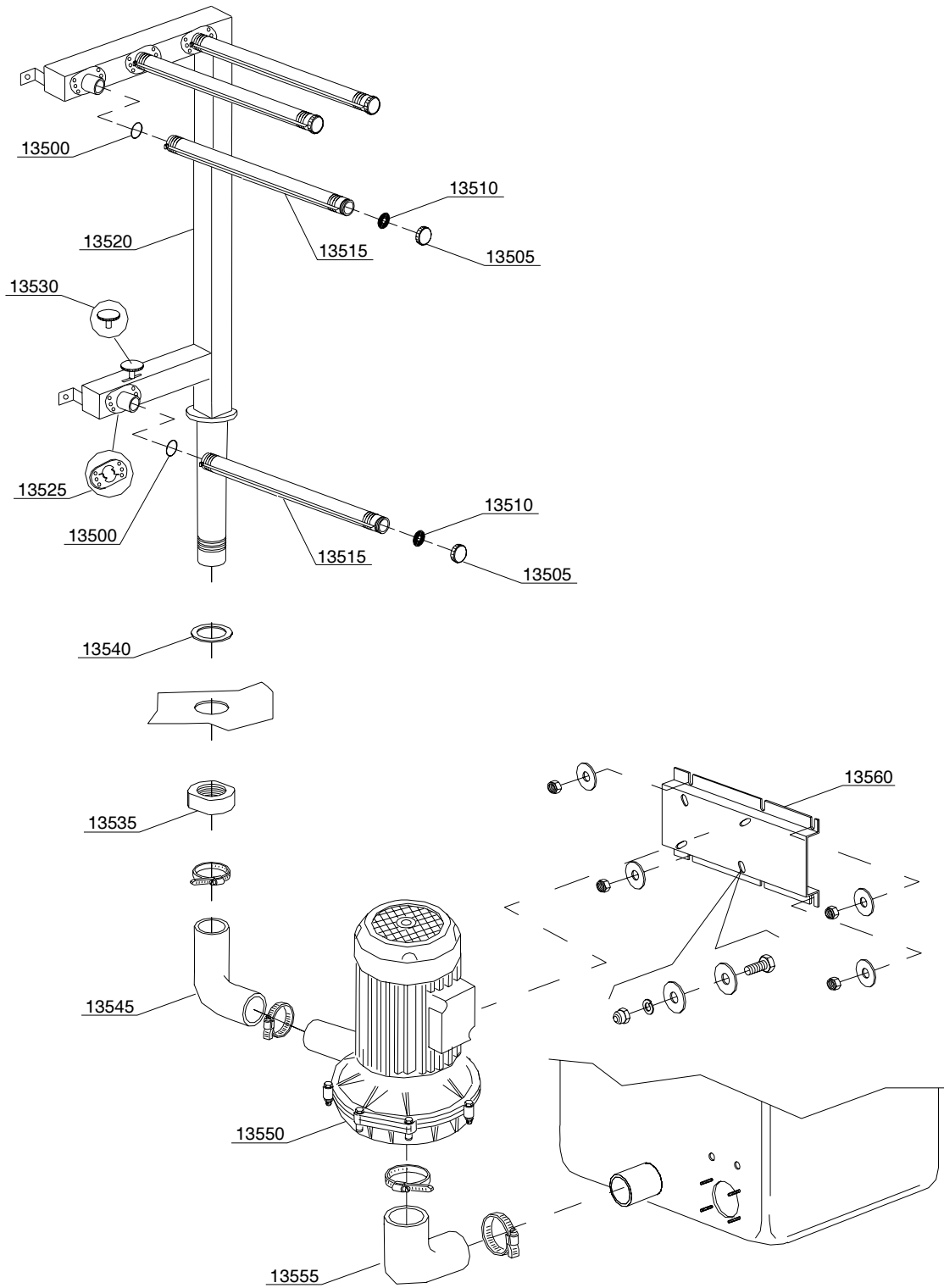
ID	P-code	Model	Type	Accessory	Voltage	Description
MODULE:DVGW valve						
12300	999900006		25	dvgw		DVGW valvola assembly



Spare parts

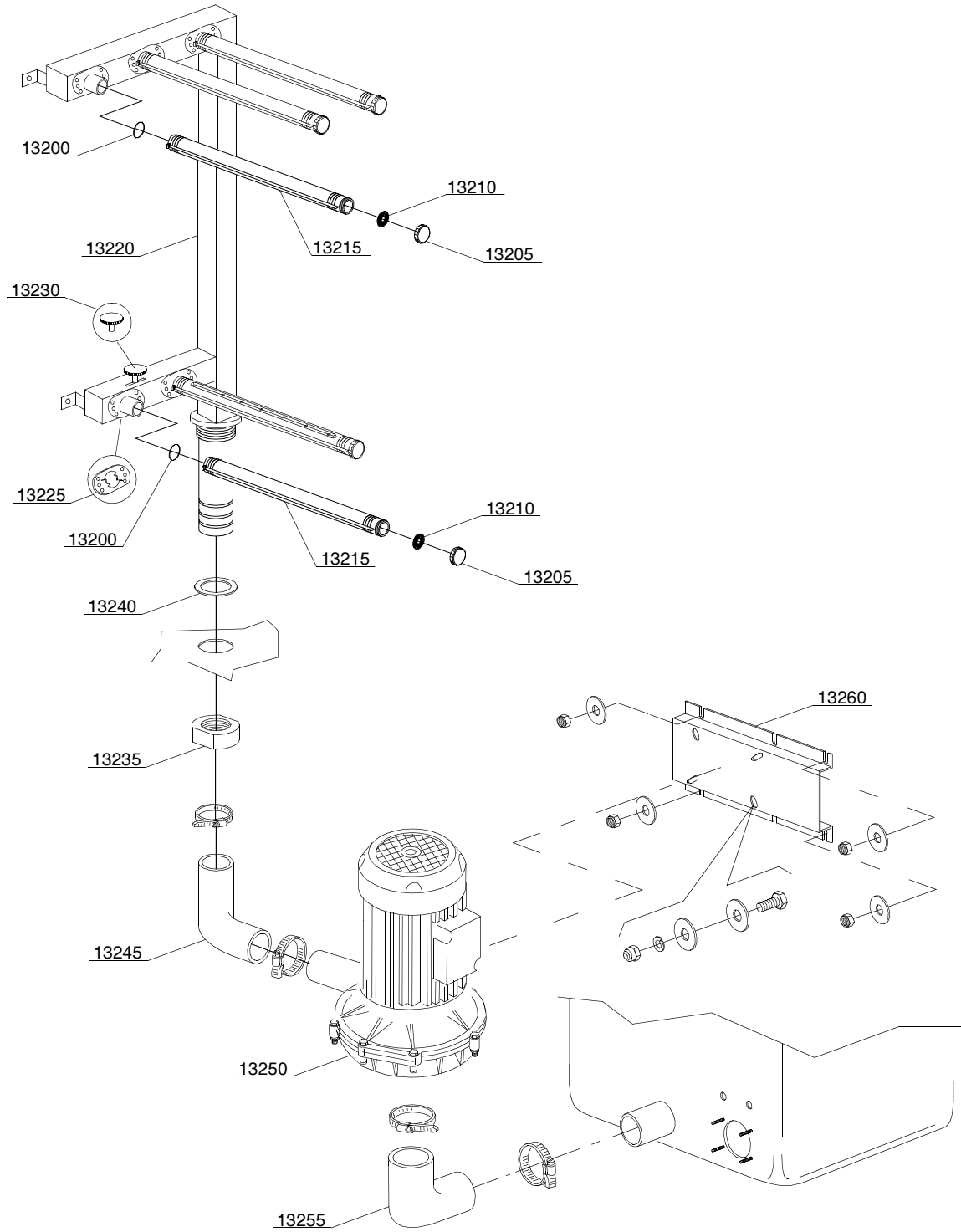
ID	P-code	Model	Type	Accessory	Voltage	Description
MODULE:Motorgear components module 1300						
12700	3003012		25			Conveyor roller
12705	2001046		25			Key
12710	3003116		25			Crank shaft
12715	13023		25			O-ring 131 (4093)
12720	13024		25			Oil splash guard DEM 40 TC 30x42x7 with spring
12725	3004131		25			Coupling part serie
12730	13015		25			O-ring 160 (6225)
12735	3004161		25			Protection disk
12740	3009060		25			Motorgear support
12745	3000212		25			Gear right 1:60
12745	3000213		25			Gear left 1:60
12750	11165		25			Screw

24_002_e



ID	P-code	Model	Type	Accessory	Voltage	Description
MODULE:Prewashing components 3+1						
13500	13023		25			O-ring 131 (4093)
13505	80304		25			Arm plug
13510	80305		25			Gasket
13515	3004147		25			Wash arm
13520	3004151		25			Right wash ramp
13520	3004152		25			Left wash ramp
13525	3004148		25			Arm connection flange
13530	3004146		25			Water flow adjuster
13535	10600012		25			Flat nut
13540	10200173/A		25			Gasket 75x58x3
13545	3004025		25			Elbow coupling press.
13550	3000082		25		A	Pump 0.9kW
13550	3000083		25		H	Pump 0.9kW - 60Hz
13555	3002020		25			Suction elbow coupling
13560	3009148		25			Pump support

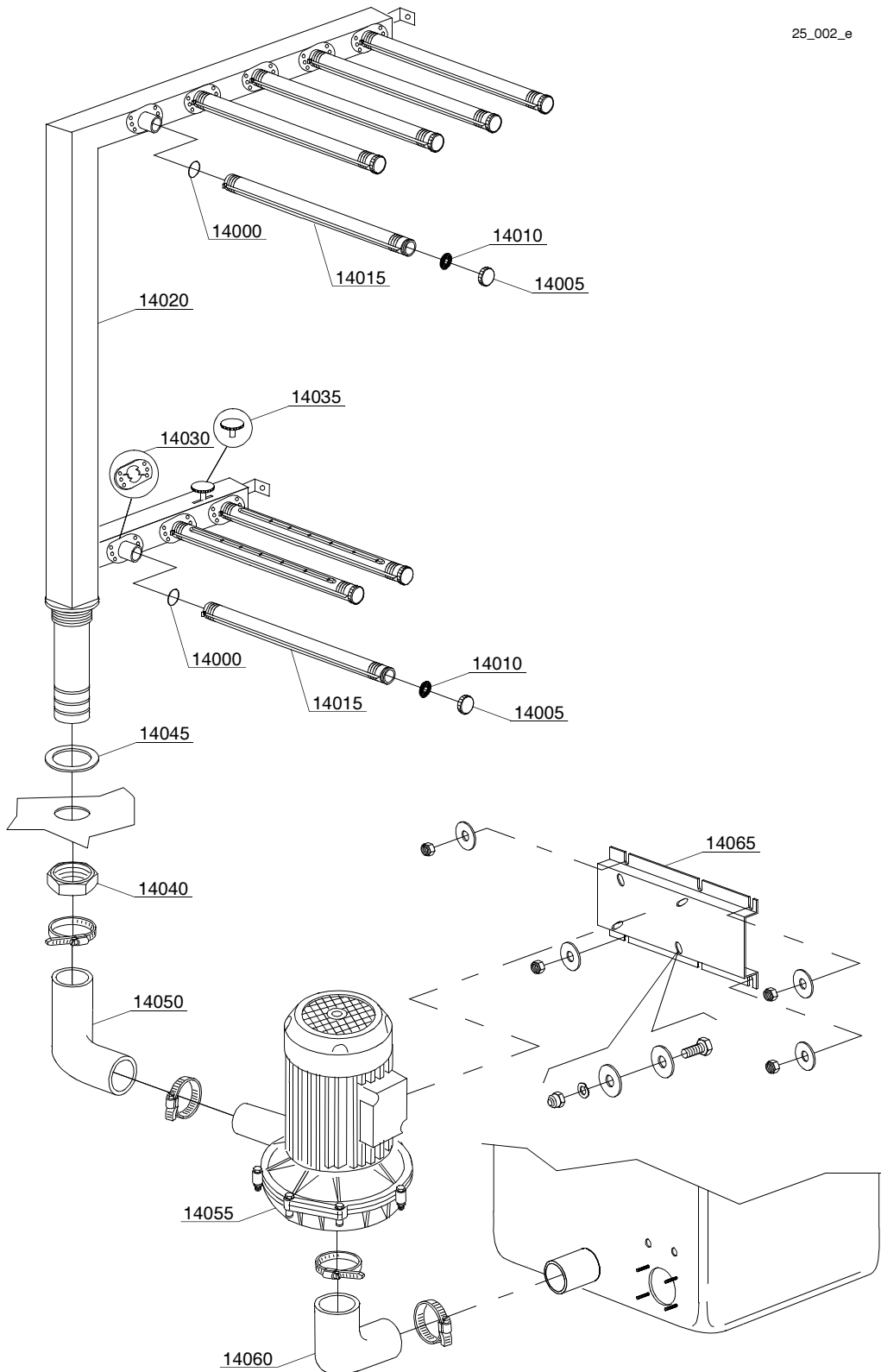
24_001_e



Spare parts

ID	P-code	Model	Type	Accessory	Voltage	Description
MODULE:Prewashing components 3+2						
13200	13023		25			O-ring 131 (4093)
13205	80304		25			Arm plug
13210	80305		25			Gasket
13215	3004147		25			Wash arm
13220	3004144		25			Right prewash ramp
13220	3004145		25			Left prewash ramp
13225	3004148		25			Arm connection flange
13230	3004146		25			Water flow adjuster
13235	10600012		25			Flat nut
13240	10200173/A		25			Gasket 75x58x3
13245	3004025		25			Elbow coupling press.
13250	3000082		25		A	Pump 0.9kW
13250	3000083		25		H	Pump 0.9kW - 60Hz
13255	3002020		25			Suction elbow coupling
13260	3009148		25			Pump support

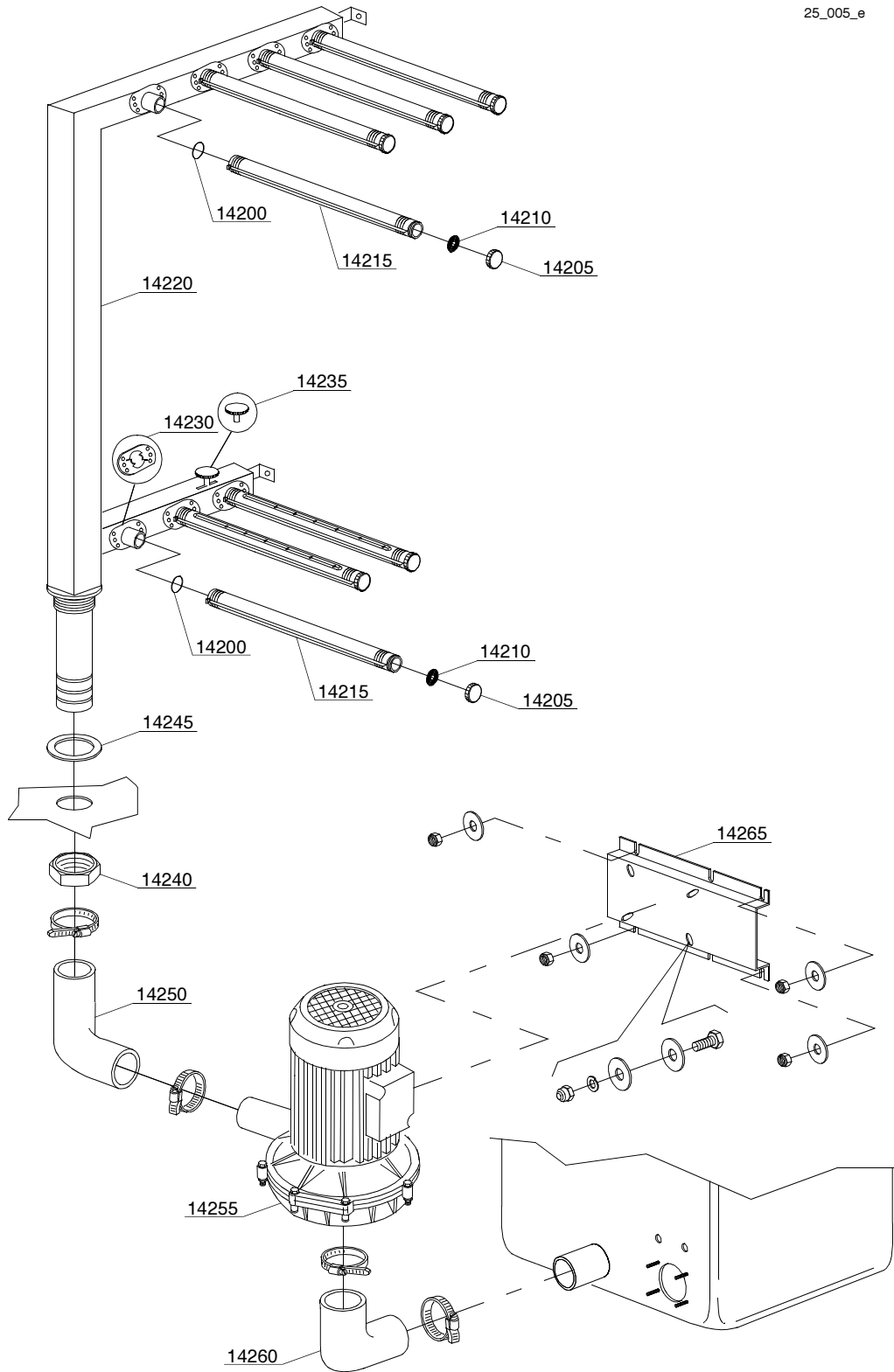
25_002_e



Spare parts

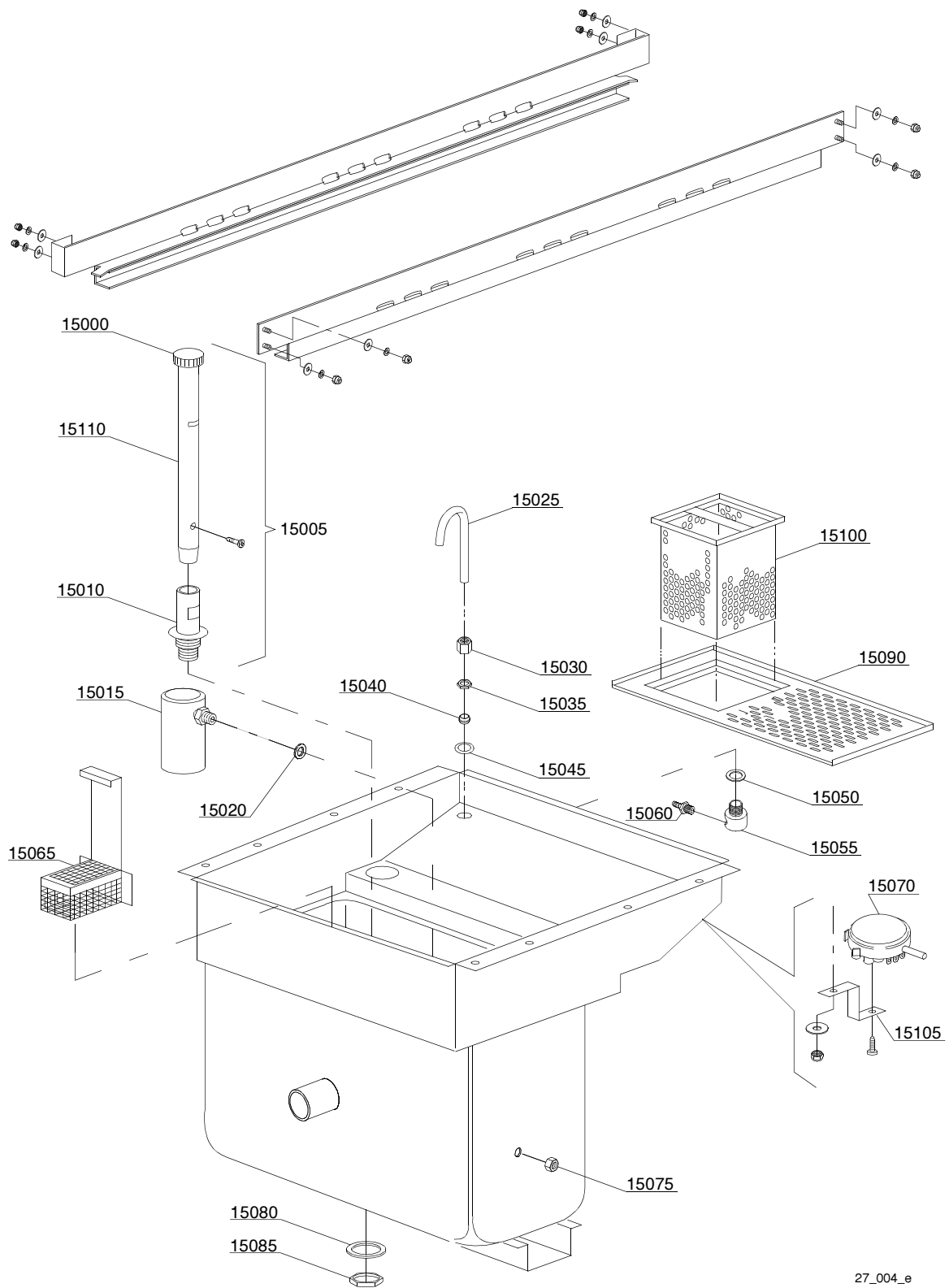
ID	P-code	Model	Type	Accessory	Voltage	Description
MODULE:Washing components 5+3						
14000	13023		25			O-ring 131 (4093)
14005	80304		25			Arm plug
14010	80305		25			Gasket
14015	3004147		25			Wash arm
14020	3004142		25			Right wash ramp
14020	3004143		25			Left wash ramp
14030	3004148		25			Arm connection flange
14035	3004146		25			Water flow adjuster
14040	10600012		25			Flat nut
14045	10200173/A		25			Gasket 75x58x3
14050	3004025		25			Elbow coupling press.
14055	88106		25		A	Pump 2 kW
14055	88106/B		25		H	Pump 2 kW - 220/380-415 V 60Hz
14055	88106/E		25			Pump 2 kW - 240/415 V 50Hz
14060	3002020		25			Suction elbow coupling
14065	3009148		25			Pump support

25_005_e

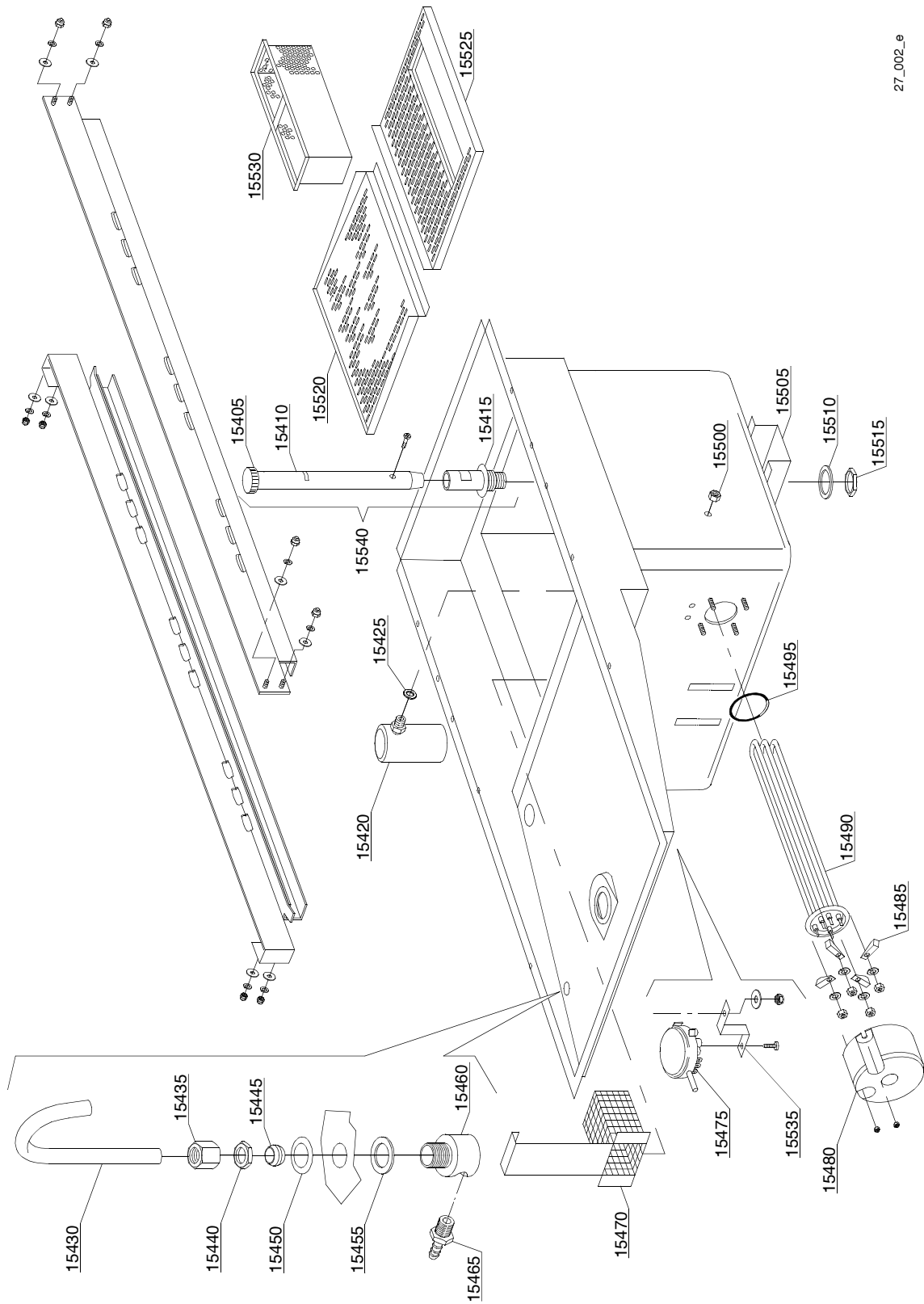


Spare parts

ID	P-code	Model	Type	Accessory	Voltage	Description
MODULE:Washing components 4+3						
14200	13023		25			O-ring 131 (4093)
14205	80304		25			Arm plug
14210	80305		25			Gasket
14215	3004147		25			Wash arm
14220	3004149		25			Right wash ramp
14220	3004150		25			Left wash ramp
14230	3004148		25			Arm connection flange
14235	3004146		25			Water flow adjuster
14240	10600012		25			Flat nut
14245	10200173/A		25			Gasket 75x58x3
14250	3004025		25			Elbow coupling press.
14255	22037		25		A	Pump 1.5 kW
14255	22037/3		25		H	Pump 1.5 kW - 60 Hz
14260	3002020		25			Suction elbow coupling
14265	3009148		25			Pump support



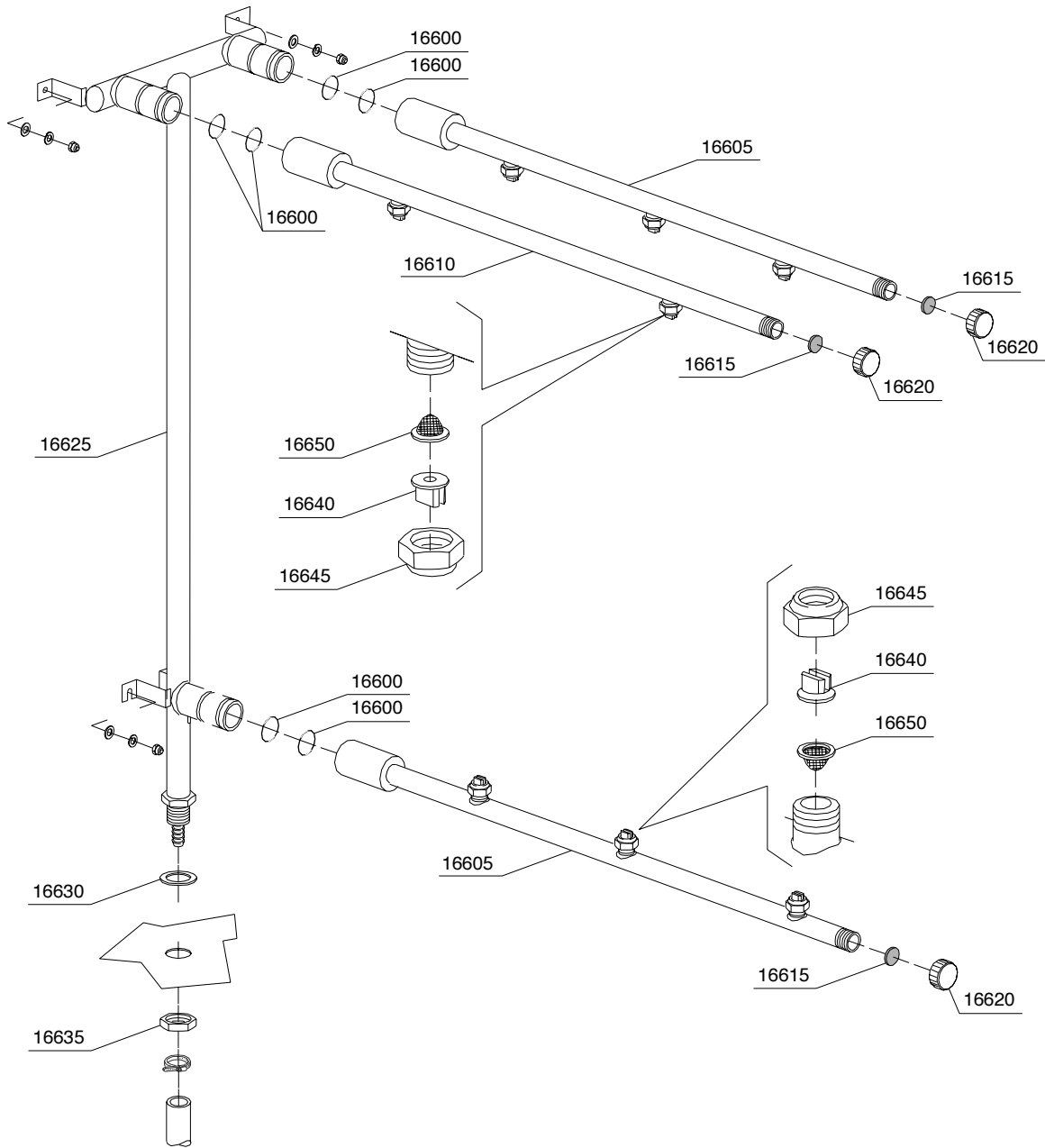
ID	P-code	Model	Type	Accessory	Voltage	Description
MODULE:Internal components prewashing module 600						
15000	88105		25			Overflow pipe plug
15005	3004100		25			Overflow pipe assembly
15010	3004099		25			Overflow device support
15015	80106		25			Air trap
15020	13301		25			Gasket ROLMART 14x8x1.5
15025	3004054		25			Inlet pipe
15030	10600016		25			Nut
15035	10200101		25			Nut
15040	10200182		25			Cone
15045	3009387		25			Washer
15050	10200171		25			Gasket FASIT 25x17x2
15055	80231		25			Fitting
15060	12005		25			Hose holder
15065	3019071		25			Pump suction-filter
15070	88110		25			Pressure switch (260-30)
15075	11702		25			Nut
15080	10200173		25			Gasket 75x58x3
15085	10600012		25			Flat nut
15090	3009565		25			Strainer plate left
15090	3009566		25			Strainer plate right
15100	88302		25			Scrap tray
15105	3009363		25			Pressure switch support
15110	3004097		25			Overflow pipe



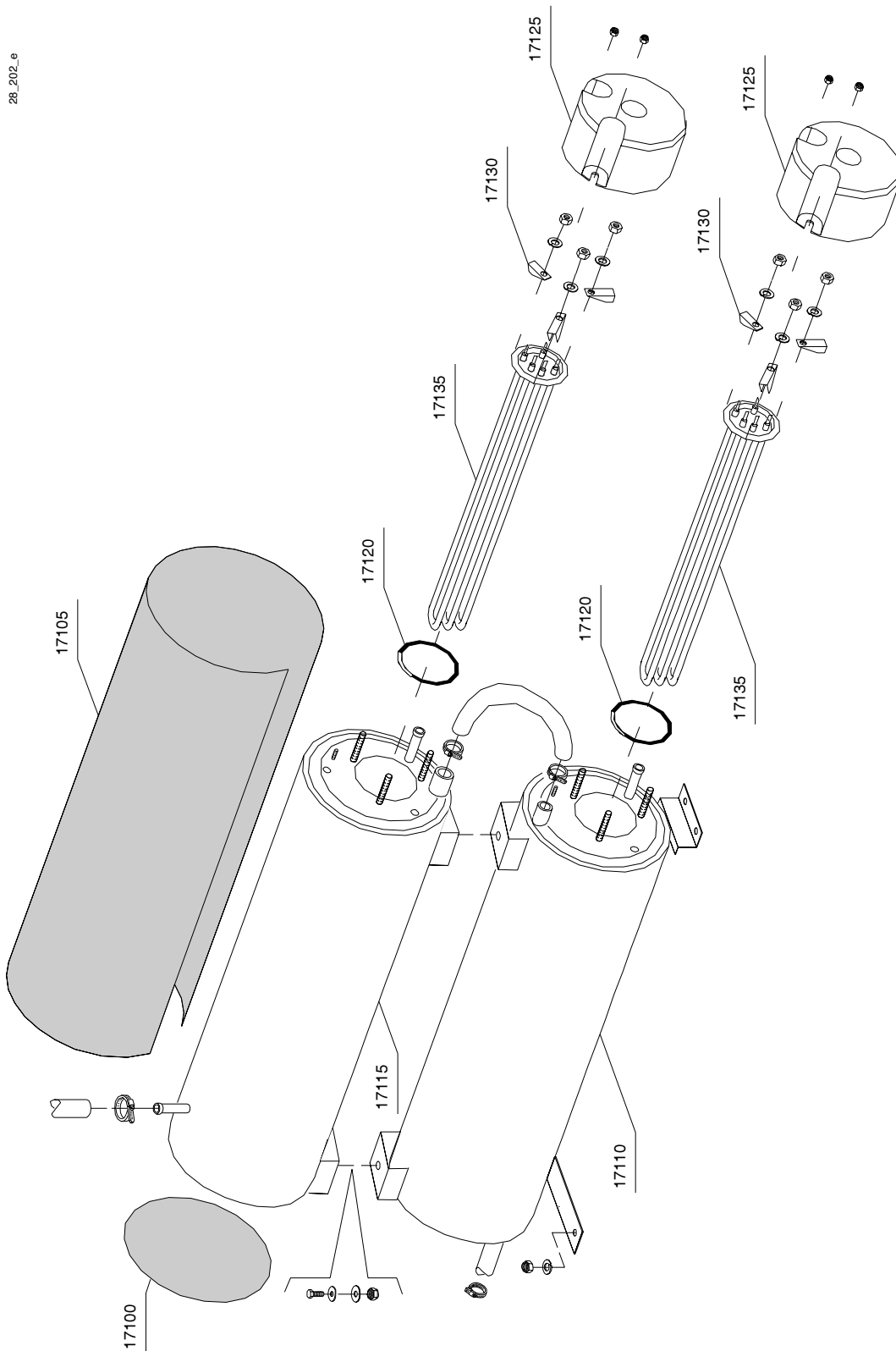
27_002_e

ID	P-code	Model	Type	Accessory	Voltage	Description
MODULE:Internal components washing module 1300						
15405	88105		25			Overflow pipe plug
15410	3004094		25			Overflow pipe
15415	3004099		25			Overflow device support
15420	80106		25			Air trap
15425	13301		25			Gasket ROLMART 14x8x1.5
15430	3004054		25			Inlet pipe
15435	10600016		25			Nut
15440	10200101		25			Nut
15445	10200182		25			Cone
15450	3009387		25			Washer
15455	10200171		25			Gasket FASIT 25x17x2
15460	80231		25			Fitting
15465	12005		25			Hose holder
15470	3019071		25			Pump suction-filter
15475	88110		25			Pressure switch (260-30)
15480	75311		25			Heating element cover
15485	16045		25			Heating element support Ø6.3
15490	30001011		25		A	Heating element 9kW
15490	30001011/A		25		A	Heating element 12kW
15490	30001011/B		25		A	Heating element 14kW
15495	13015		25			O-ring 160 (6225)
15500	11702		25			Nut
15505	3009299		25			Tank support
15510	10200173		25			Gasket 75x58x3
15515	10600012		25			Flat nut
15520	3009567		25			Strainer plate, back
15525	3019074		25			Strainer plate front
15530	3019065		25			Scrap tray
15535	3009363		25			Pressure switch support
15540	3004101		25			Overflow pipe assembly

28_002_e



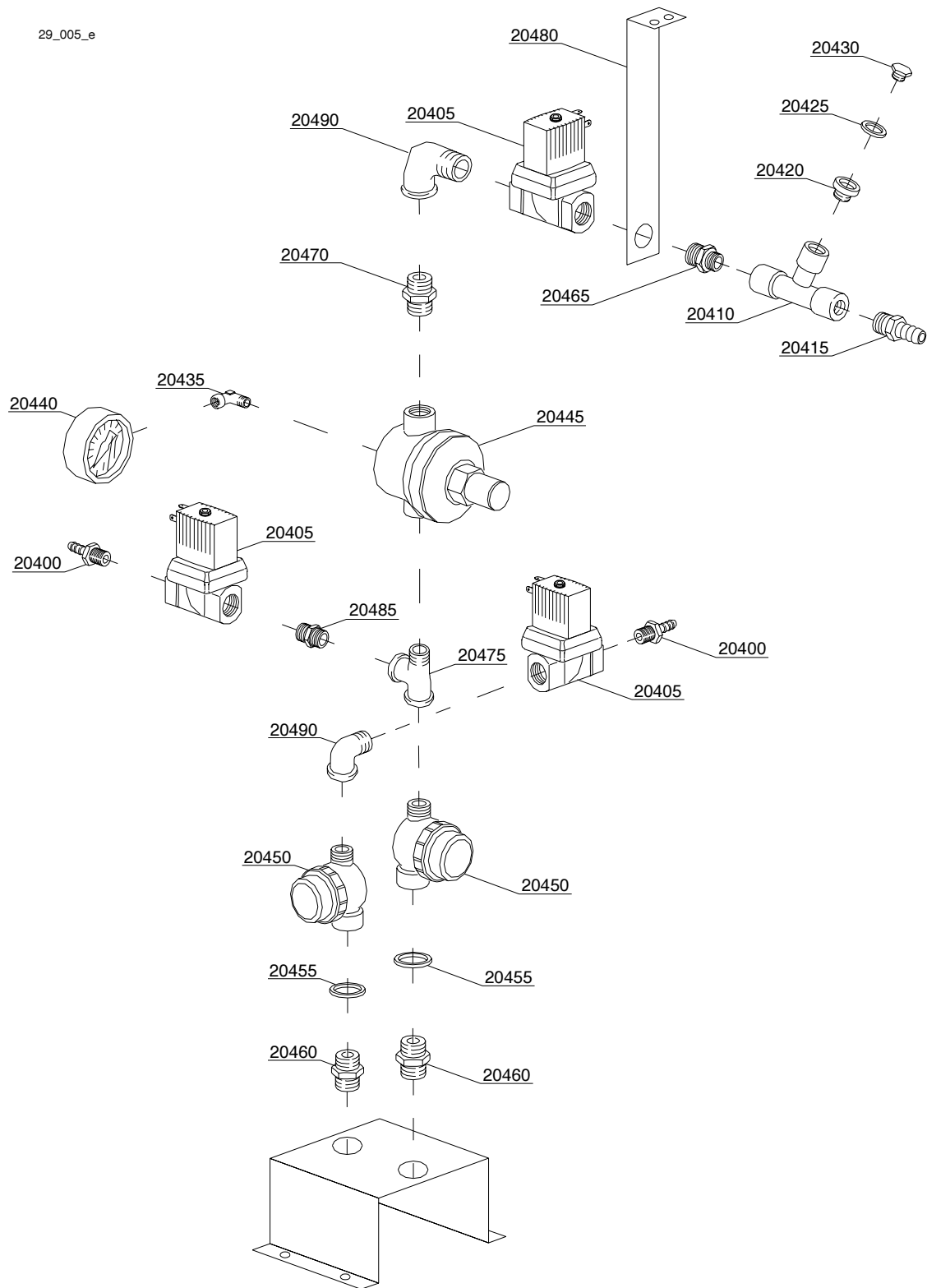
ID	P-code	Model	Type	Accessory	Voltage	Description
MODULE:Rinsing components						
16600	13025		25			O-ring 2081
16605	3003902		25			Rinsing arm 3 nozzle
16610	3003901		25			Rinsing arm 2 nozzle
16615	2002051		25			Gasket EPDM 17.5x1.5
16620	2002054		25			Plug for arm
16625	3003951		25			Rinsing ramp
16630	13326		25			Gasket 38x27x2
16635	2200103		25			Nut
16640	2200114		25			Nozzle
16645	2200116		25			Nut
16650	2200117		25			Filter



28_202_e

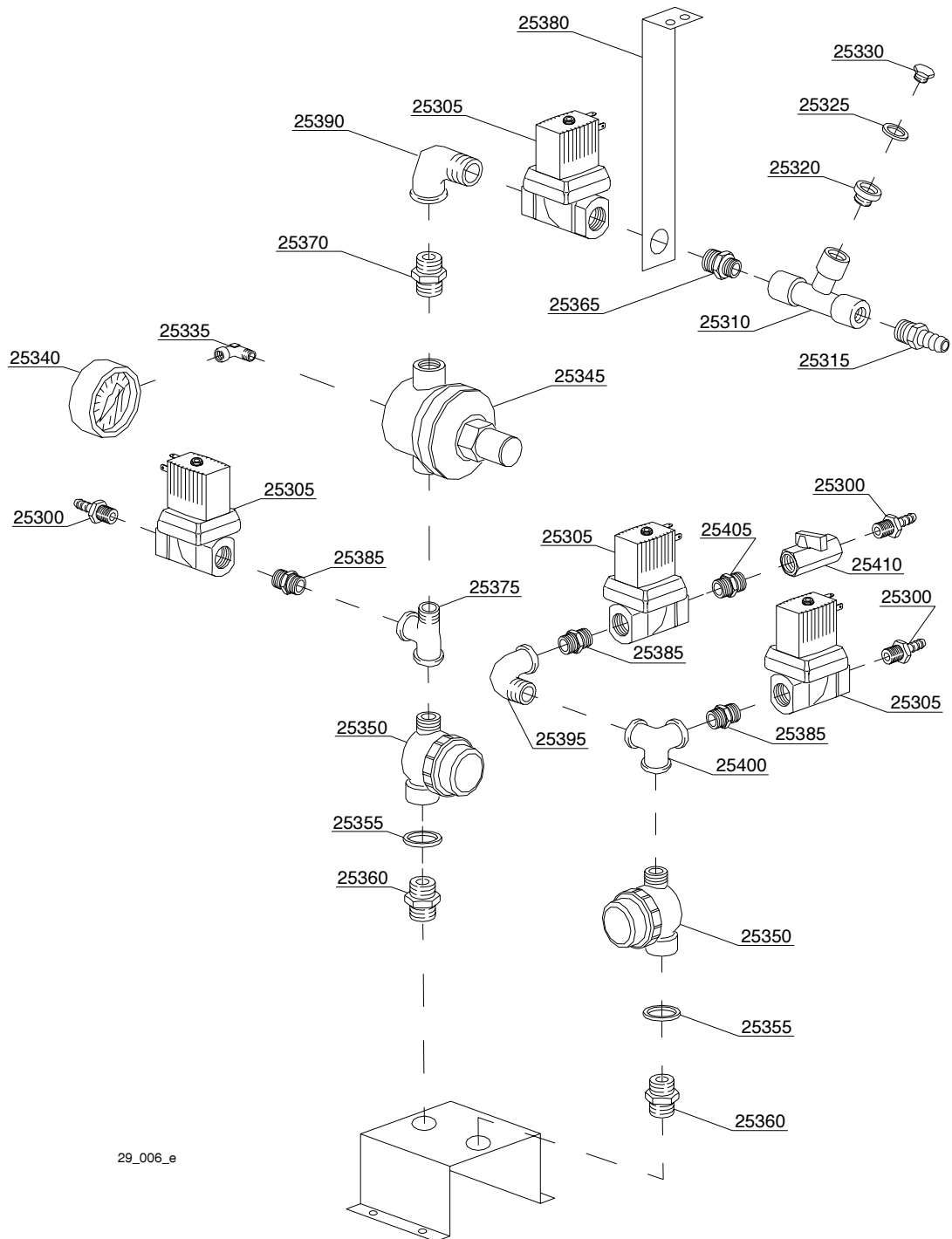
Spare parts

ID	P-code	Model	Type	Accessory	Voltage	Description
MODULE:Boiler components						
17100	75205		25			Bottom boiler insulating
17105	30002030		25			Boiler insulating
17110	3007012		25			Boiler
17115	3007013		25			Boiler
17120	13015		25			O-ring 160 (6225)
17125	75311		25			Heating element cover
17130	16045		25			Heating element support Ø6.3
17135	30001011		25		A	Heating element 9kW
17135	30001011/A		25		A	Heating element 12kW
17135	30001011/B		25		A	Heating element 14kW



Spare parts

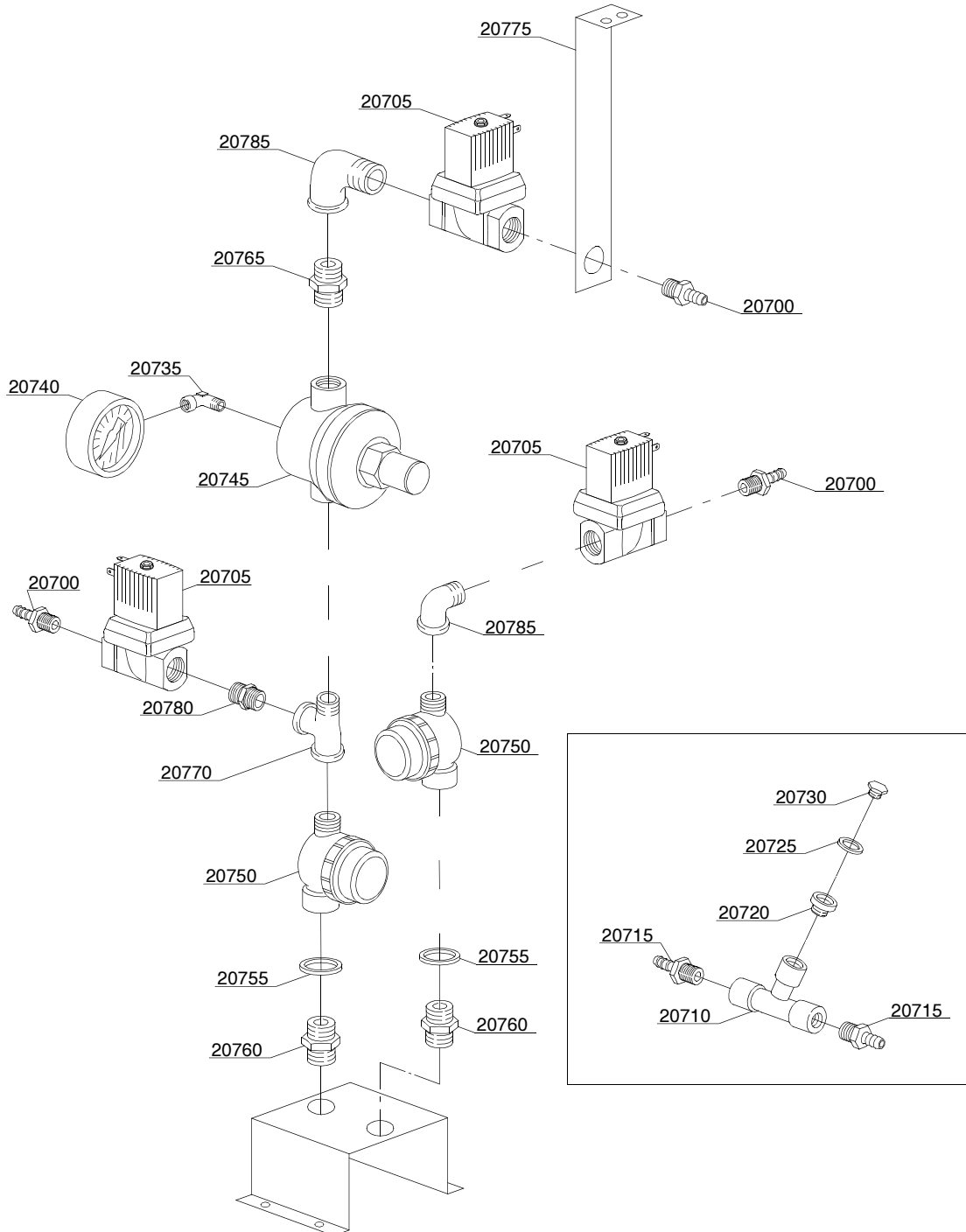
ID	P-code	Model	Type	Accessory	Voltage	Description
MODULE:Solenoid valves components						
20400	12023		25			Hose holder
20405	3002030		25			Solenoid valve
20410	12008		25			Connection T
20415	12005		25			Hose holder
20420	12032		25			Reduction nipples
20425	13309		25			Gasket 14x10x1.5
20430	12002		25			Plug
20435	12012		25			Elbow
20440	2000244		25			Pressure reduction gauge
20445	2000364		25			Pressure reduction valve
20450	2000121		25			Filter
20455	13326		25			Gasket 38x27x2
20460	12025		25			Nipples
20465	12033		25			Nipples
20470	10200208		25			Nipples
20475	3002144		25			Connection T
20480	3009585		25			Solenoid valve support
20485	3002145		25			Reduction nipples
20490	3002141		25			Elbow
MODULE:Solenoid valves components						
20400	12023		25	d9,d92,974,975,d94		Hose holder
20405	3002030		25	d9,d92,974,975,d94		Solenoid valve
20410	12008		25	d9,d92,974,975,d94		Connection T
20415	12005		25	d9,d92,974,975,d94		Hose holder
20420	12032		25	d9,d92,974,975,d94		Reduction nipples
20425	13309		25	d9,d92,974,975,d94		Gasket 14x10x1.5
20430	12002		25	d9,d92,974,975,d94		Plug
20435	12012		25	d9,d92,974,975,d94		Elbow
20440	2000244		25	d9,d92,974,975,d94		Pressure reduction gauge
20445	2000364		25	d9,d92,974,975,d94		Pressure reduction valve
20450	2000121		25	d9,d92,974,975,d94		Filter
20455	13326		25	d9,d92,974,975,d94		Gasket 38x27x2
20460	12025		25	d9,d92,974,975,d94		Nipples
20465	12033		25	d9,d92,974,975,d94		Nipples
20470	10200208		25	d9,d92,974,975,d94		Nipples
20475	3002144		25	d9,d92,974,975,d94		Connection T
20480	3009585		25	d9,d92,974,975,d94		Solenoid valve support
20485	3002145		25	d9,d92,974,975,d94		Reduction nipples
20490	3002141		25	d9,d92,974,975,d94		Elbow

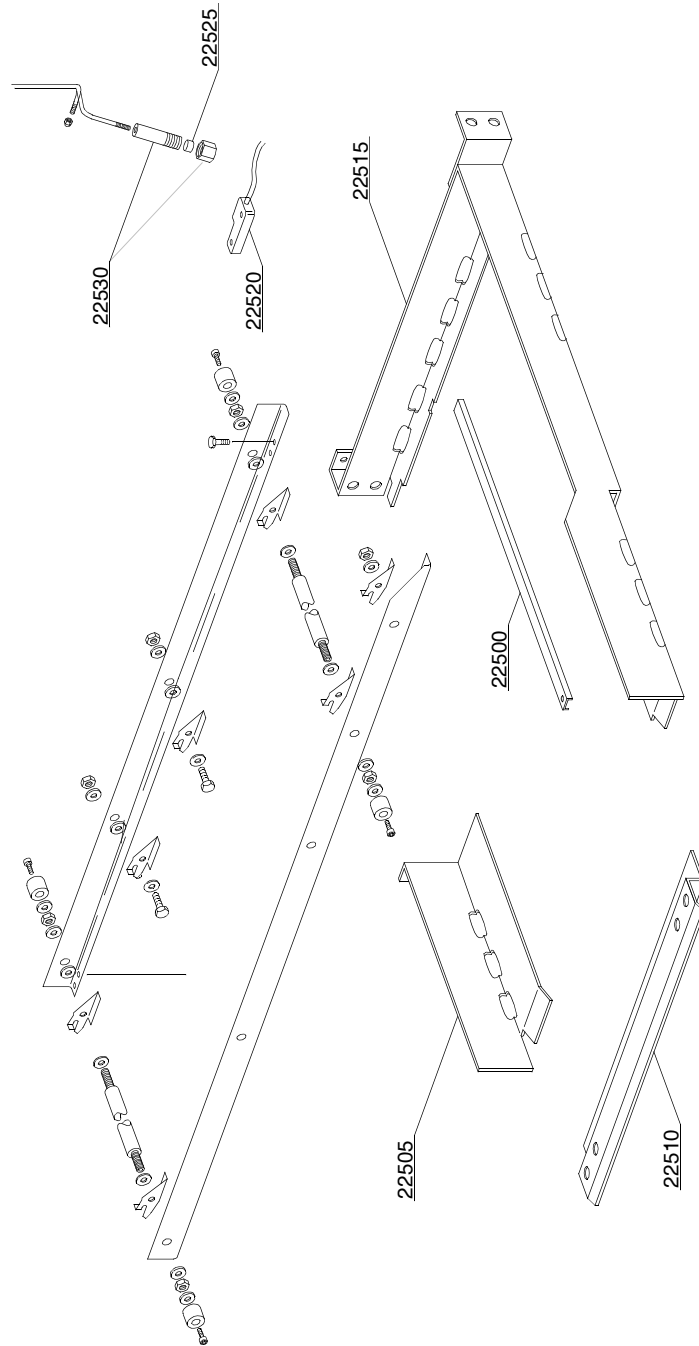


29_006_e

ID	P-code	Model	Type	Accessory	Voltage	Description
MODULE:Solenoid valves components						
25300	12023		25	sc9		Hose holder
25305	3002030		25	sc9		Solenoid valve
25310	12008		25	sc9		Connection T
25315	12005		25	sc9		Hose holder
25320	12032		25	sc9		Reduction nipples
25325	13309		25	sc9		Gasket 14x10x1.5
25330	12002		25	sc9		Plug
25335	12012		25	sc9		Elbow
25340	2000244		25	sc9		Pressure reduction gauge
25345	2000364		25	sc9		Pressure reduction valve
25350	2000121		25	sc9		Filter
25355	13326		25	sc9		Gasket 38x27x2
25360	12025		25	sc9		Nipples
25365	12033		25	sc9		Nipples
25370	10200208		25	sc9		Nipples
25375	3002144		25	sc9		Connection T
25380	3009585		25	sc9		Solenoid valve support
25385	3002145		25	sc9		Reduction nipples
25390	3002141		25	sc9		Elbow
25395	3002142		25	sc9		Elbow
25400	3002143		25	sc9		Elbow distributor
25405	12027		25	sc9		Nipples
25410	3002140		25	sc9		Tap

29_013_e

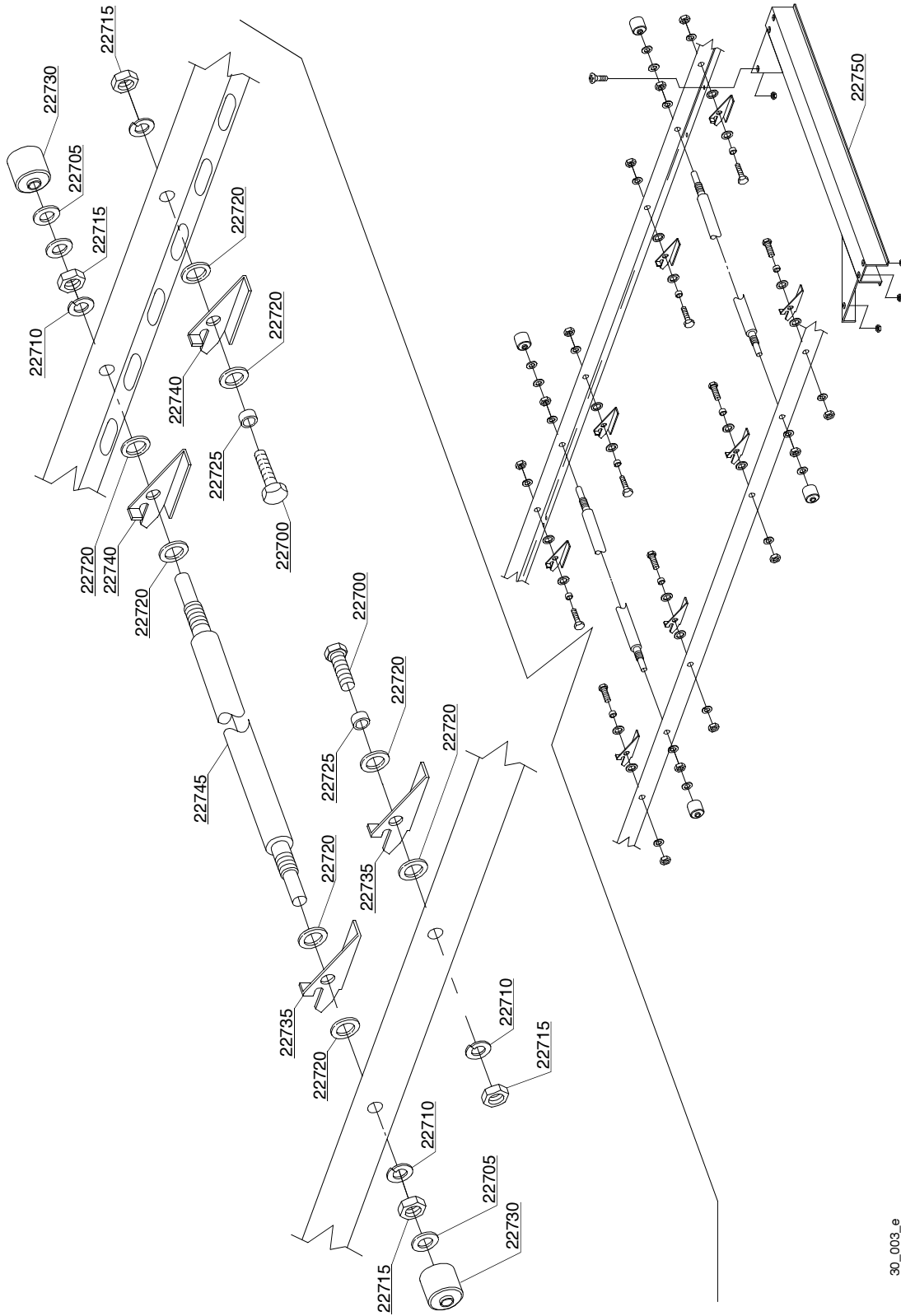




30_002_e

Spare parts

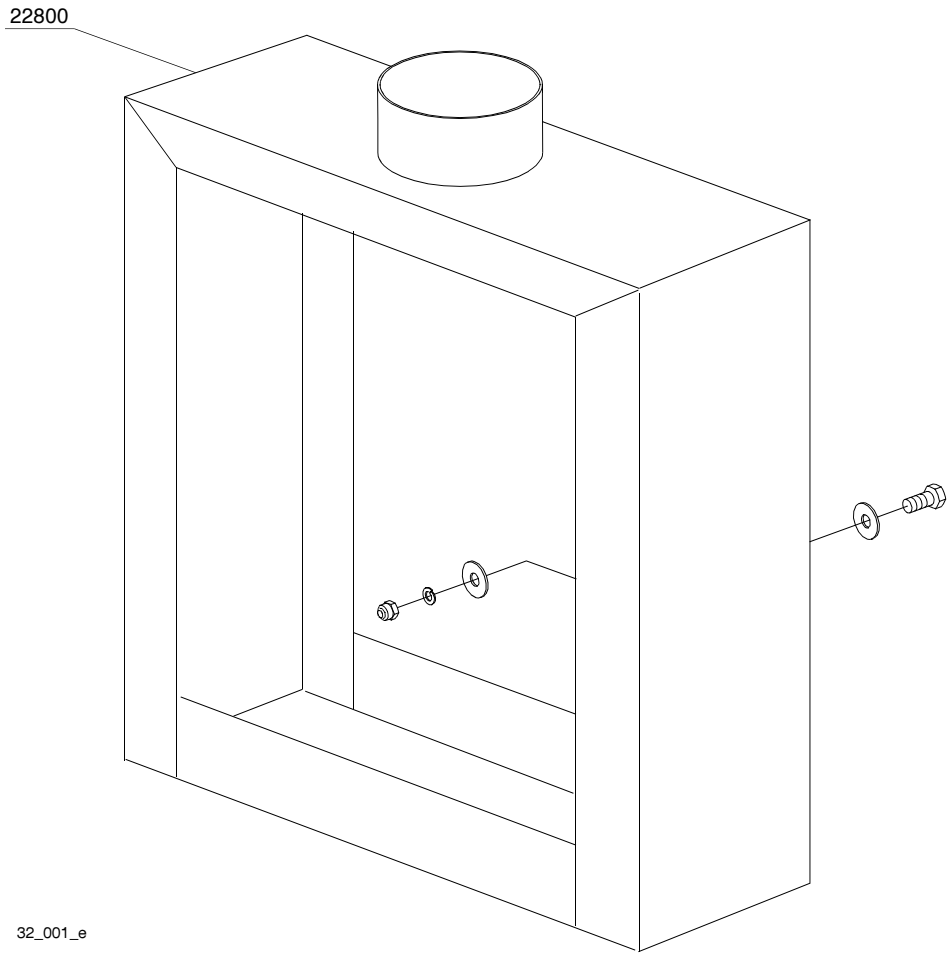
ID	P-code	Model	Type	Accessory	Voltage	Description
MODULE:Conveyor parts						
22500	3009273		25			Slide
22505	3009298		25			Slide right
22505	3009446		25			Slide left
22510	3009271		25			Sleeper right
22510	3009272		25			Sleeper left
22515	3009233		25			Slide left
22515	3009234		25			Slide right
22520	3003112		25			Microswitch
22525	3003113		25			Magnet
22530	3003058		25			Magnet holder



30_003_e

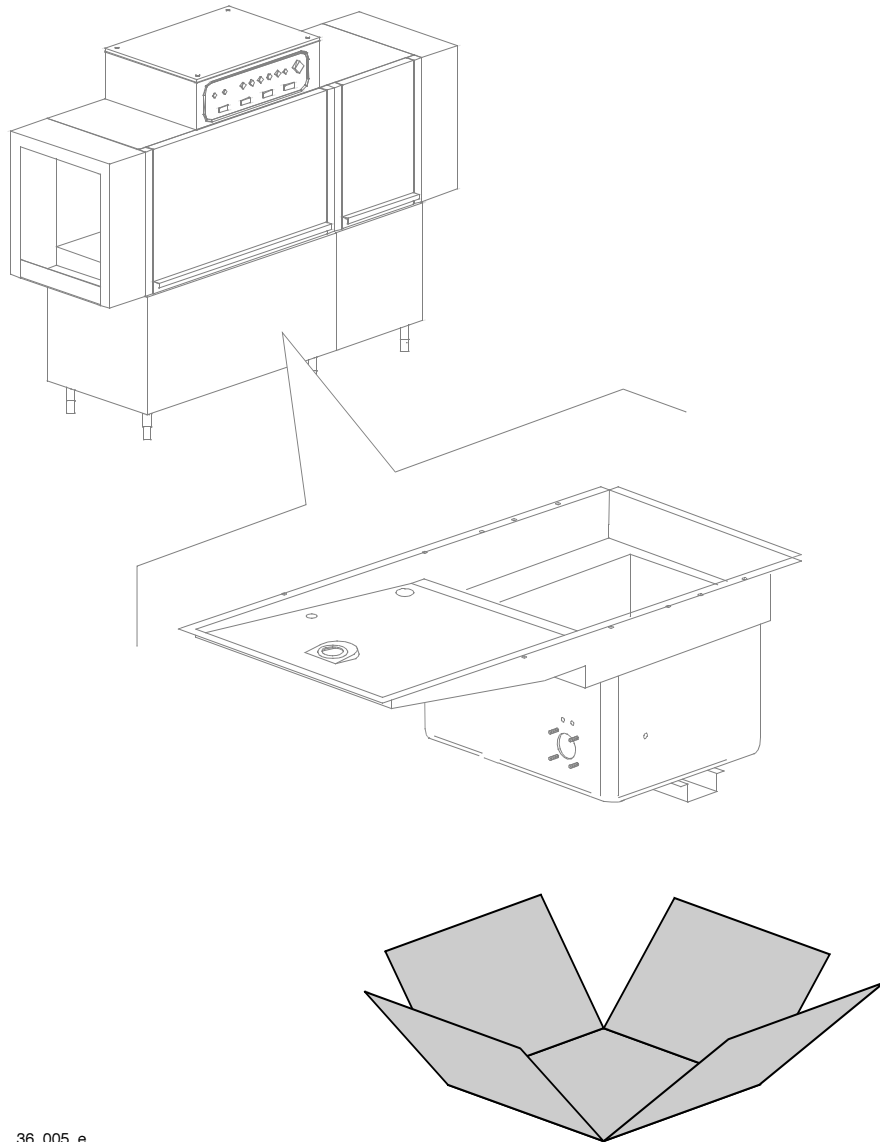
Spare parts

ID	P-code	Model	Type	Accessory	Voltage	Description
MODULE:Conveyor parts						
22700	11109		25			Screw
22705	11185		25			Washer
22710	11609		25			Split washer
22715	11719		25			Nut
22720	3003024		25			Washer
22725	3003025		25			Bush
22730	3003026		25			Bush
22735	3003100		25			Clip right
22740	3003101		25			Clip left
22745	3003010		25			Axis
22750	3009107		25			Guide



Spare parts

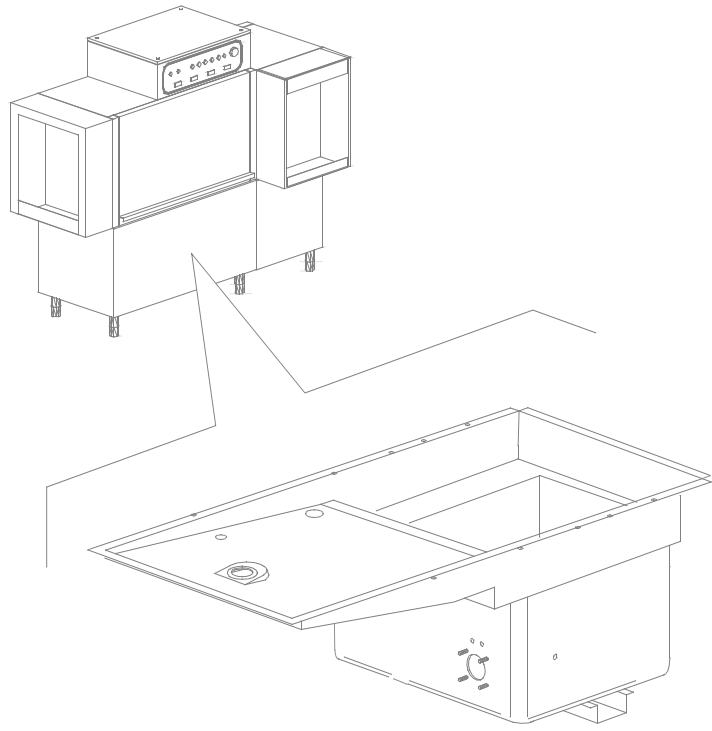
ID	P-code	Model	Type	Accessory	Voltage	Description
MODULE: Splash zone with cilinder - LC 94						
22800	999910065		25	szc9		Splash zone with cilinder LC94



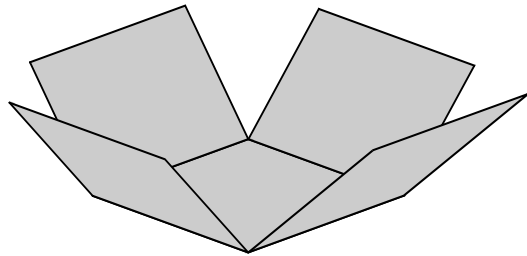
36_005_e

Spare parts

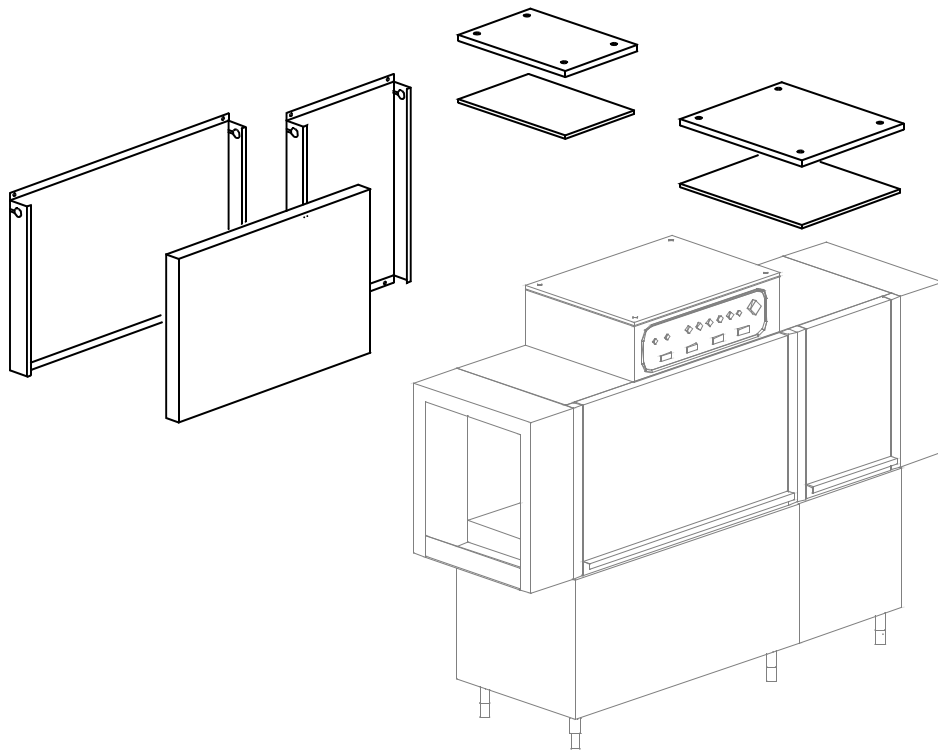
ID	P-code	Model	Type	Accessory	Voltage	Description
MODULE:Tank insulation						
	999910207		25	ti		Tank insulation
N.B.: kit suppliable only together with the machine, not after						



36_009_e



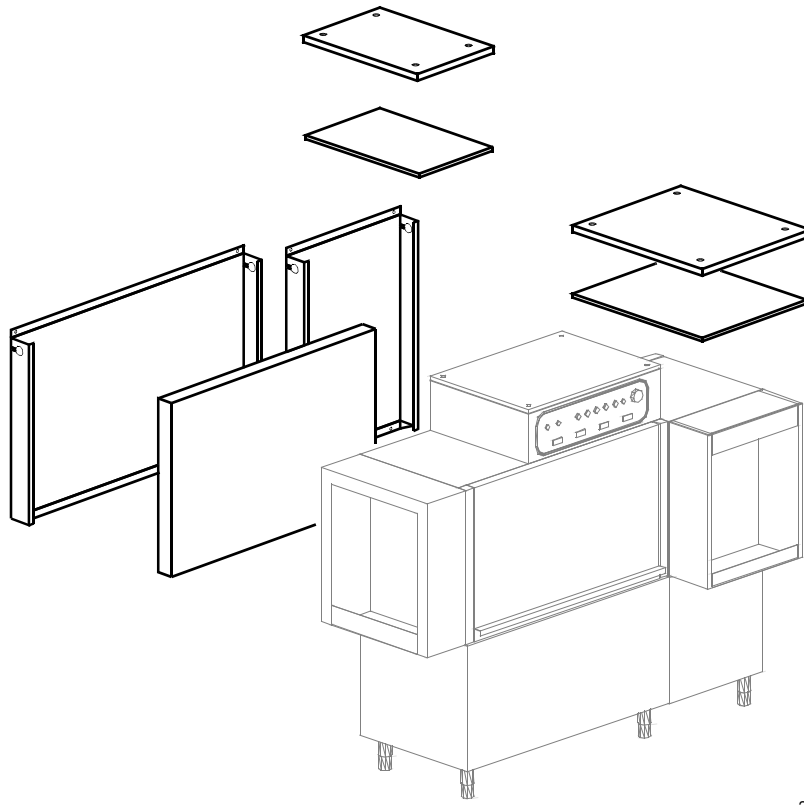
ID	P-code	Model	Type	Accessory	Voltage	Description
MODULE:Tank insulation						
	999910207		25	ti		Tank insulation
N.B.: kit suppliable only togeter with the machine, not after						



37_005_e

Spare parts

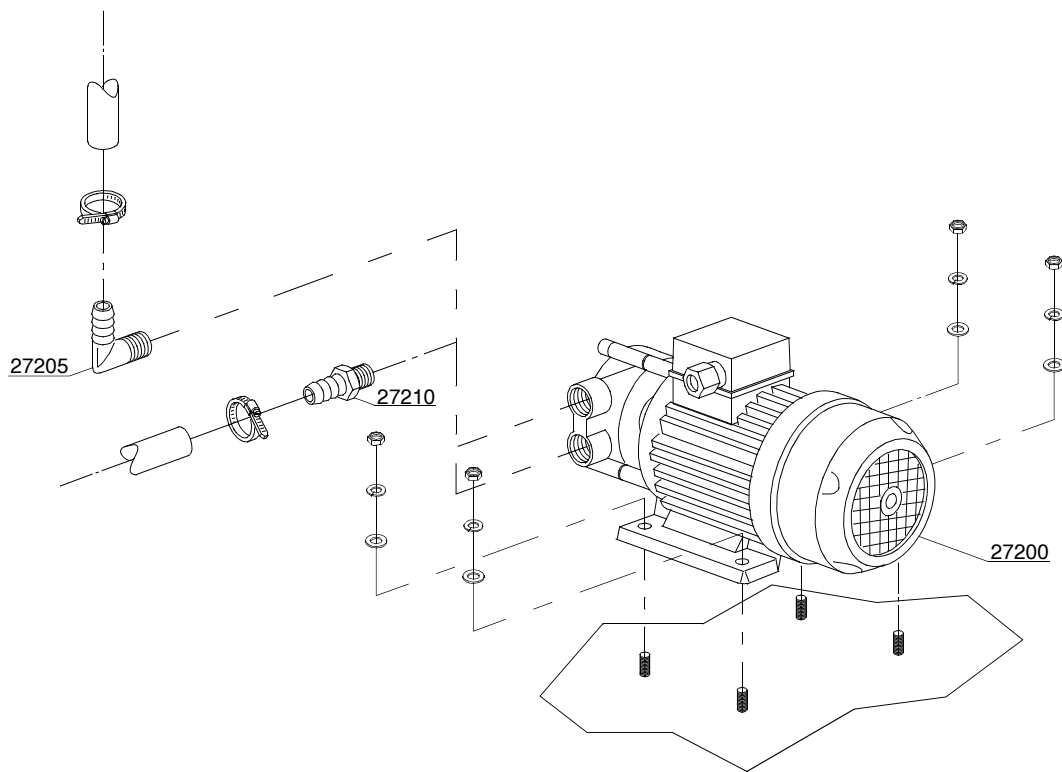
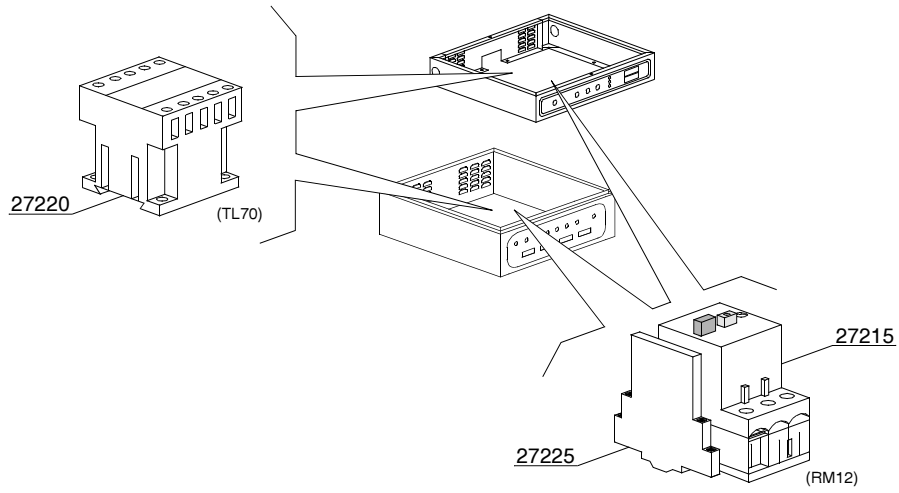
ID	P-code	Model	Type	Accessory	Voltage	Description
MODULE:Double skin						
	999910202		25	ds		Double skin assembly
N.B.: kit suppliable only together with the machine, not after						



37_009_e

Spare parts

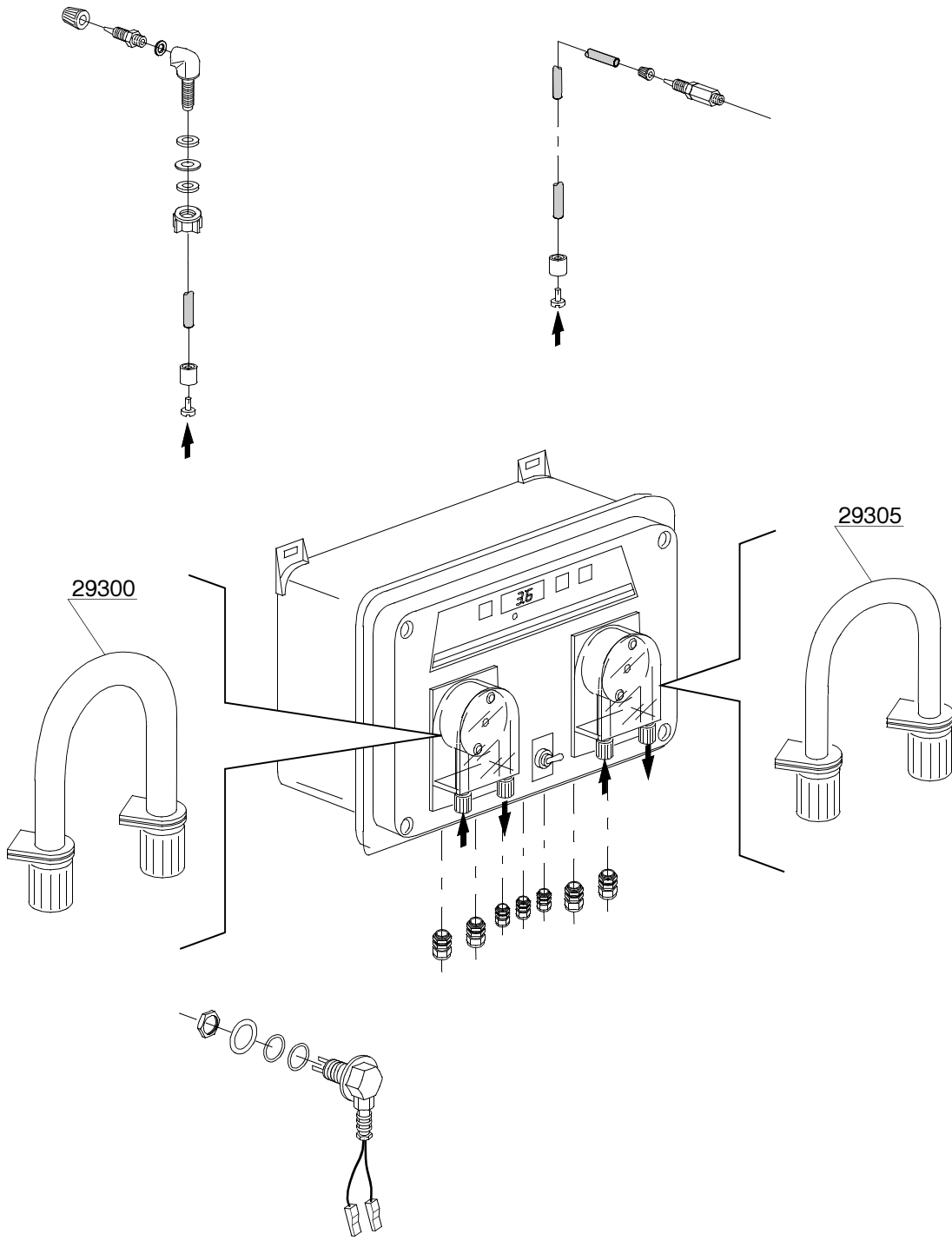
ID	P-code	Model	Type	Accessory	Voltage	Description
MODULE:Double skin						
	999910202		25	ds		Double skin assembly
N.B.: kit suppliable only togeter with the machine, not after						



38_001_e

Spare parts

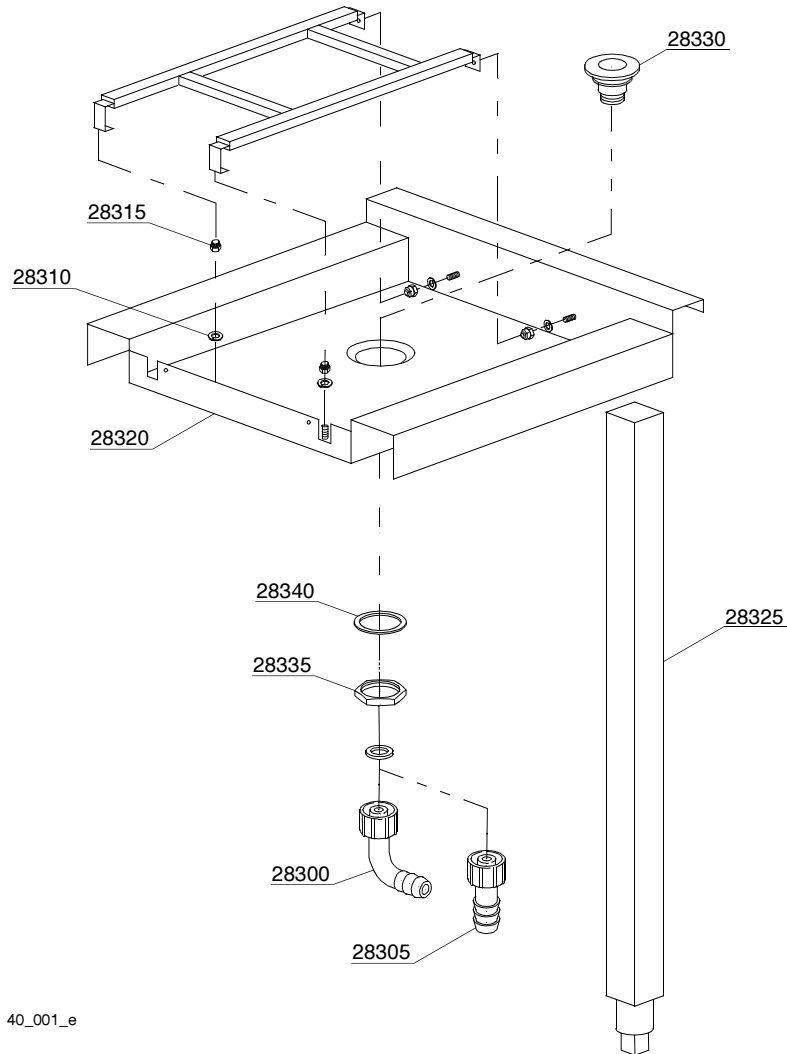
ID	P-code	Model	Type	Accessory	Voltage	Description
MODULE:Booster pump						
27200	15100		25	bp		Booster pump
27205	12030		25	bp		Elbow pipe fitting
27210	10221311		25	bp		Pipe fitting
27215	2000394		25	bp		Motorprotector 2,5-4A
27220	2000370		25	bp		Contactore MC9
27225	3006080		25	bp		Auxiliary contact LMS25



39_001_e

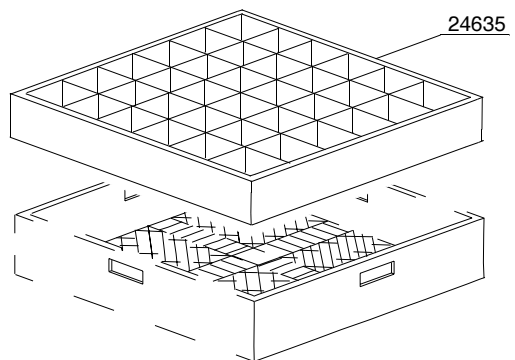
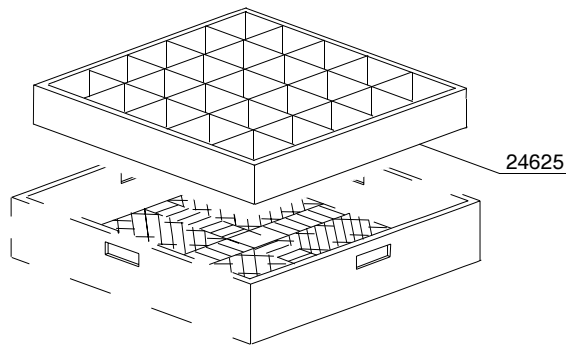
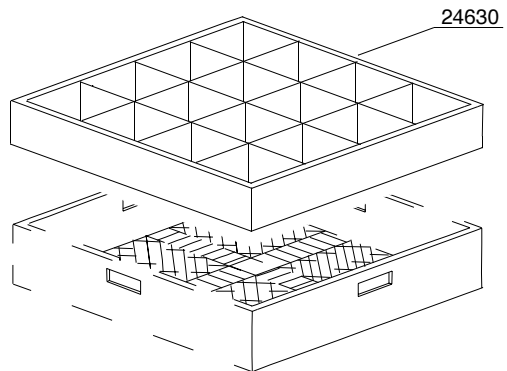
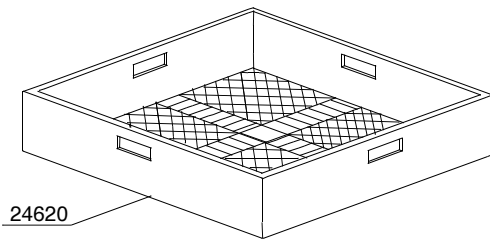
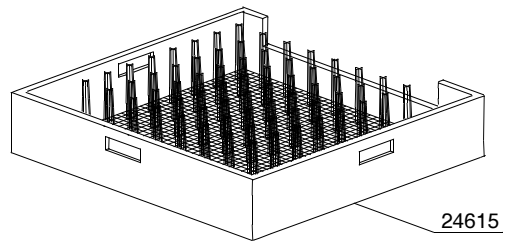
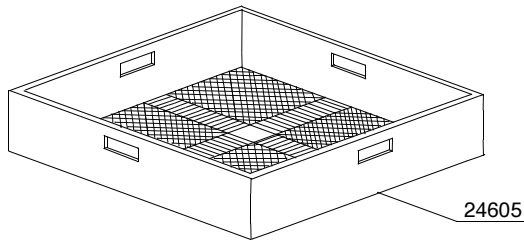
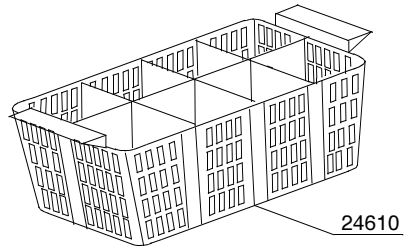
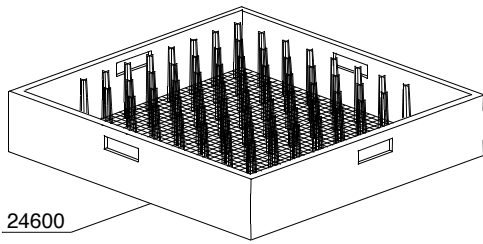
Spare parts

ID	P-code	Model	Type	Accessory	Voltage	Description
MODULE:Dispensers SDN-3						
	15181		25	sdn3		Dispensers assembly SDN-3
29300	15185		25	sdn3		Pipe fitting for detergent dispenser
29305	15186		25	sdn3		Pipe fitting for rinse dispenser



40_001_e

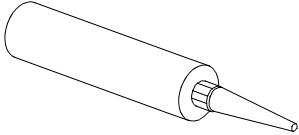
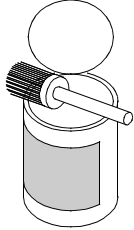
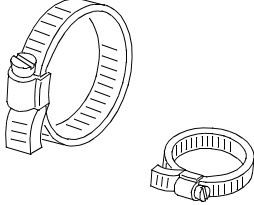
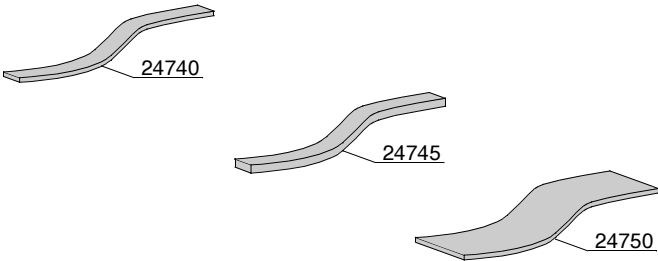
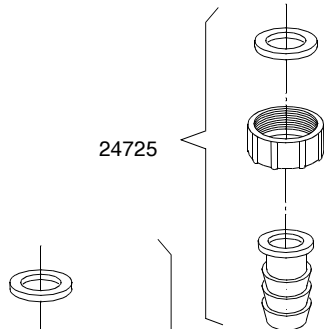
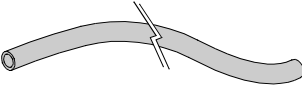
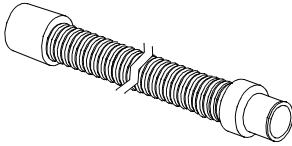
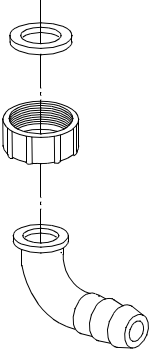
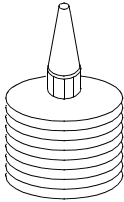
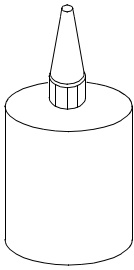
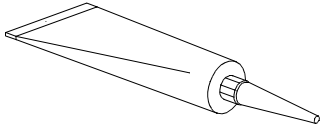
ID	P-code	Model	Type	Accessory	Voltage	Description
MODULE:Angle loading table 90° - LC 98						
28300	15613		25	98		"1"" 1/4x30 nylon elbow"
28305	15613/A		25	98		Fitting exauster
28310	3003024		25	98		Washer
28315	3003025		25	98		Bush
28320	3009250		25	98		Platform
28325	3009608		25	98		Leg assembly
28330	10200113		25	98		Floor drain
28335	10200114		25	98		Floor drain nut
28340	10200173		25	98		Gasket 75x58x2



00_001_e

Spare parts

ID	P-code	Model	Type	Accessory	Voltage	Description
MODULE:Baskets						
24600	C40		25			Place conveyor basket
24605	C41		25			Tight mesh conveyor basket for cutlery
24610	C47		25			Small 8 place cutlery basket
24615	C43		25			535mm tray conveyor basket
24620	C44		25			Mod.07 universal conveyor basket
24625	C112		25			5x5 vertical glass conveyor basket
24630	C113		25			4x4 vertical glass conveyor basket
24635	C114		25			6x6 vertical glass conveyor basket

 <p>24700</p>	 <p>24705</p>	 <p>24760</p>
 <p>24740</p> <p>24745</p> <p>24750</p>		 <p>24725</p>
 <p>24755</p>	 <p>24735</p>	 <p>24730</p>
 <p>24765</p>	 <p>24770</p>	 <p>24775</p>

Spare parts

ID	P-code	Model	Type	Accessory	Voltage	Description
MODULE:Accessory						
24700	---		25			Silicone UNI 9610 - UNI 9611
24705	---		25			Grease for high temperatures CCIAA 629224
24705	---		25			Grease for food - Loctite 8104 Cat. N° 26560
24725	15613/A		25			Fitting exauster
24730	15613		25			"1" 1/4x30 nylon elbow"
24735	10727		25			Exauster pipe Ø 24mm
24735	10200112		25			Exauster pipe Ø 32mm
24740	15750		25			20x2 self-stick mousse
24745	15751		25			20x4 self-stick mousse
24750	15752		25			60x2 self-stick mousse
24755	2907350		25			Flexible pipe EPDM Ø12
24755	2907352		25			Flexible pipe EPDM Ø12 - WRAS
24755	2907353		25			Flexible pipe EPDM Ø12
24760	2902050		25			Steel hose clamp 15/24
24760	11806		25			Steel hose clamp 25/40
24760	11810		25			Steel hose clamp 40/60
24760	11824		25			Steel hose clamp 50/70
24760	2902491		25			Steel hose clamp 60/80
24765	---		25			-50°C +150°C threads dope
24770	---		25			Loctite 542 Cat.N° 54246 - DIN-DVGW 86.02 e 125
24770	---		25			Loctite 243 Cat.N° 18937 - 19386
24775	---		25			Loctite 511 Cat.N° 24003 - DIN-DVGW 86.01 e 125
24775	---		25			Loctite 577 Cat.N° 25392