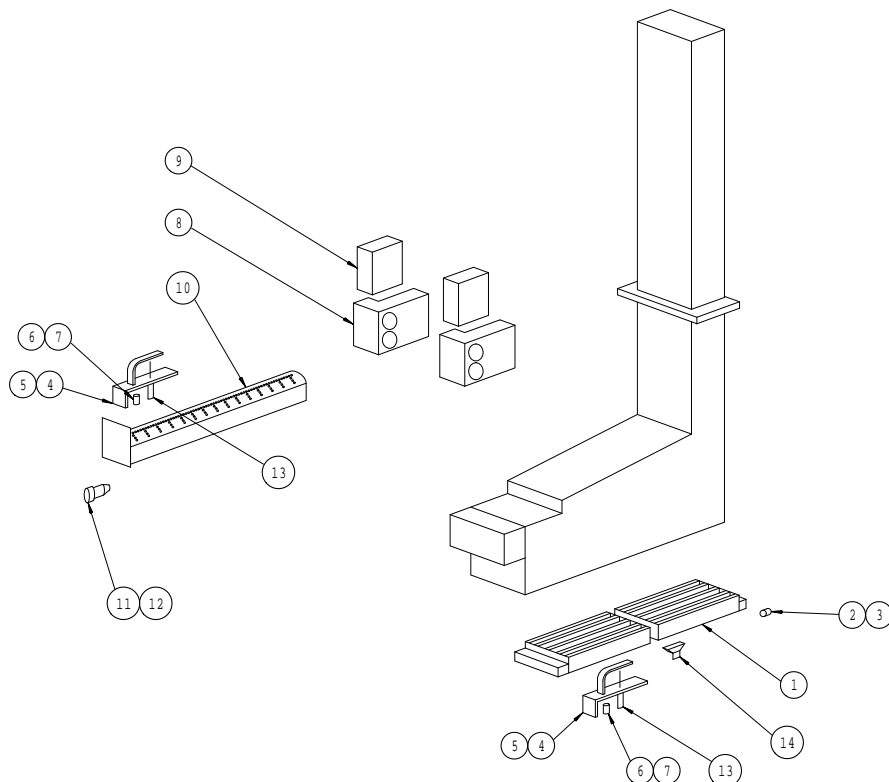
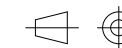


IF IN DOUBT ASK!!

DO NOT SCALE !!

First Angle Projection



ITEM	DESCRIPTION	G4069 SPARES No.	G4109 SPARES No.
1	BOILER BURNER	534310170	534310170
2	BOILER BURNER INJECTOR (NAT GAS)	534340010	534340060
3	BOILER BURNER INJECTOR (LP GAS)	534340020	534340070
4	PILOT BURNER ASSY (NAT GAS)	534310350	534310350
5	PILOT BURNER ASSY (LP GAS)	534400106	534400106
6	PILOT BURNER INJECTOR (NAT GAS)	534350050	534350050
7	PILOT BURNER INJECTOR (LP GAS)	534350060	534350060
8	GAS SOLENOID VALVE	534400080	534400080
9	SOLENOID VALVE CONTROLLER	534400107	534400107
10	OVEN BURNER	534400108	534400108
11	OVEN BURNER INJECTOR (NAT GAS)	534310150	534310150
12	OVEN BURNER INJECTOR (LP GAS)	534350070	534350070
13	FLAME SENSOR	534400100	534400100
14	CROSS LIGHTER	534400101	534400101

All Dimensions in millimetres, Tolerance- Linear ±0.5mm Angular ±0.5° (or as stated)

Issue	Mod No.	Alteration	Zone	Drawn by	Date



This part is common to the following units

Drawn	I. HAMILTON	Product	G4069/4109 COMBINATION OVEN	
Date	24-08-05	Title	SPARES DIAGRAM - GAS SERVICES	
Scale				
Matl.		Drawing Number	AB44187	Issue
No. off		Finish		
Bin No.	01/09/05	Kraus No.		

© No reproduction or publication of this drawing may be made and no article may be manufactured or assembled in accordance with this drawing without prior written consent. This prohibition is a condition of any contract relating to this drawing. Rights reserved under the Copyright Act 1956 as amended by the Design Copyright Act 1988.

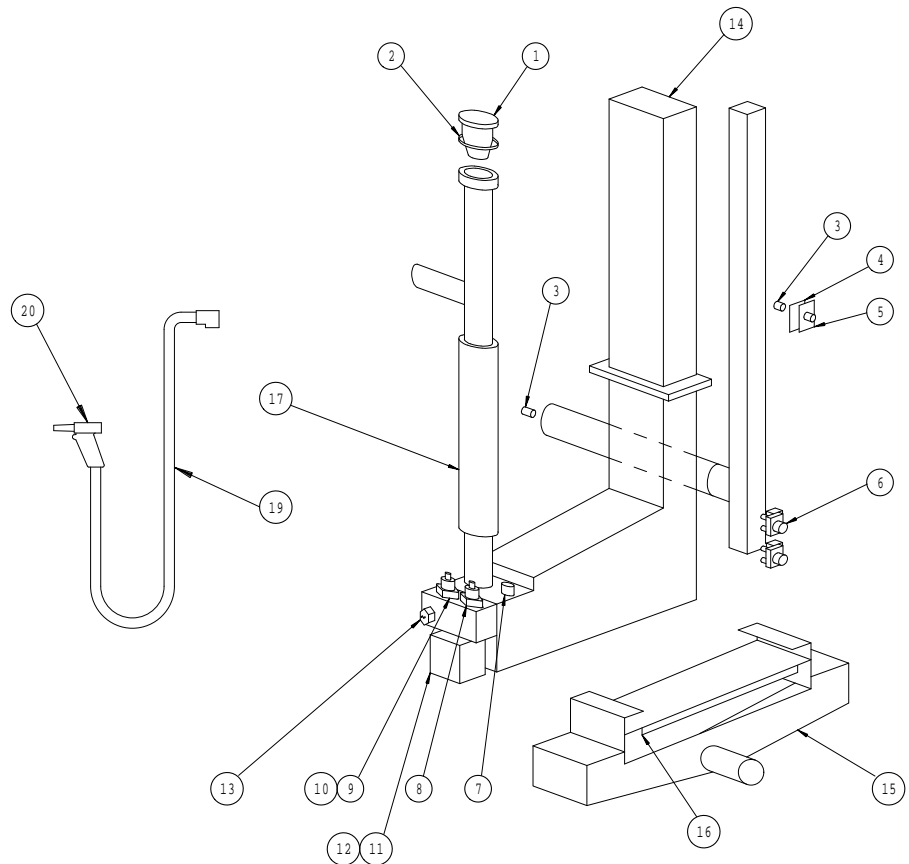
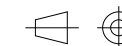
**CLEARED FOR PRODUCTION 01/09/05**

Falcon Foodservice Equipment. Wallace View Hillfoots Road Stirling Scotland

IF IN DOUBT ASK!!

DO NOT SCALE !!

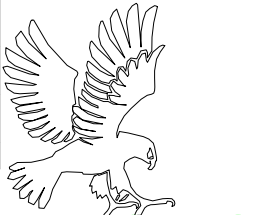
First Angle Projection



ITEM	DESCRIPTION	G4069 SPARES No.	G4109 SPARES No.
1	PRESSURE RELIEF CAP	734310860	734310860
2	'O' RING	734310870	734310870
3	SPRAY NOZZLE	734350210	734350210
4	SPRAY MOUNTING PLATE	735400130	735400130
5	SPRAY GASKET	735400120	735400120
6	WATER SOLENOID VALVE	735400100	735400100
7	BOILER SAFETY THERMOSTAT	534350190	534350190
8	ELECTRODE (HIGH LEVEL)	734310300	734310300
9	ELECTRODE (LOW LEVEL)	734310310	734310310
10	ELECTRODE GASKET	734310320	734310320
11	DRAIN VALVE BODY	534350590	534350590
12	DRAIN VALVE ACTUATOR	534350600	534350600
13	BOILER THERMOSTAT	534310290	534310290
14	BOILER ASSEMBLY	534400103	534400104
15	DRAIN TUNDISH	534350850	534350850
16	DRAIN TUNDISH COVER	534350840	534350840
17	STEAM INLET HOSE	534340030	534350120
18	GASKET DRAIN PIPE	534350550	534350550
19	WASH GUN HOSE	734380700	734380700
20	WASH GUN	534350810	534350810

All Dimensions in millimetres, Tolerance- Linear ±0.5mm Angular ±0.5° (or as stated)

Issue	Mod No.	Alteration	Zone	Drawn by	Date



Drawn	I.HAMILTON	Product	G4069/4109 COMBINATION OVEN	
Date	24-08-05	Title	SPARES DIAGRAM - WATER SERVICES	
Scale				
Matl.		Drawing Number	AB44188	Issue
No. off		Finish		
Bin No.	01/09/05	Kraus No.		

No reproduction or publication of this drawing may be made and no article may be manufactured or assembled in accordance with this drawing without prior written consent. This prohibition is subject to any contract relating to this drawing. Rights reserved under the Copyright Act 1956 as amended by the Design Copyright Act 1988.

This part is common to the following units

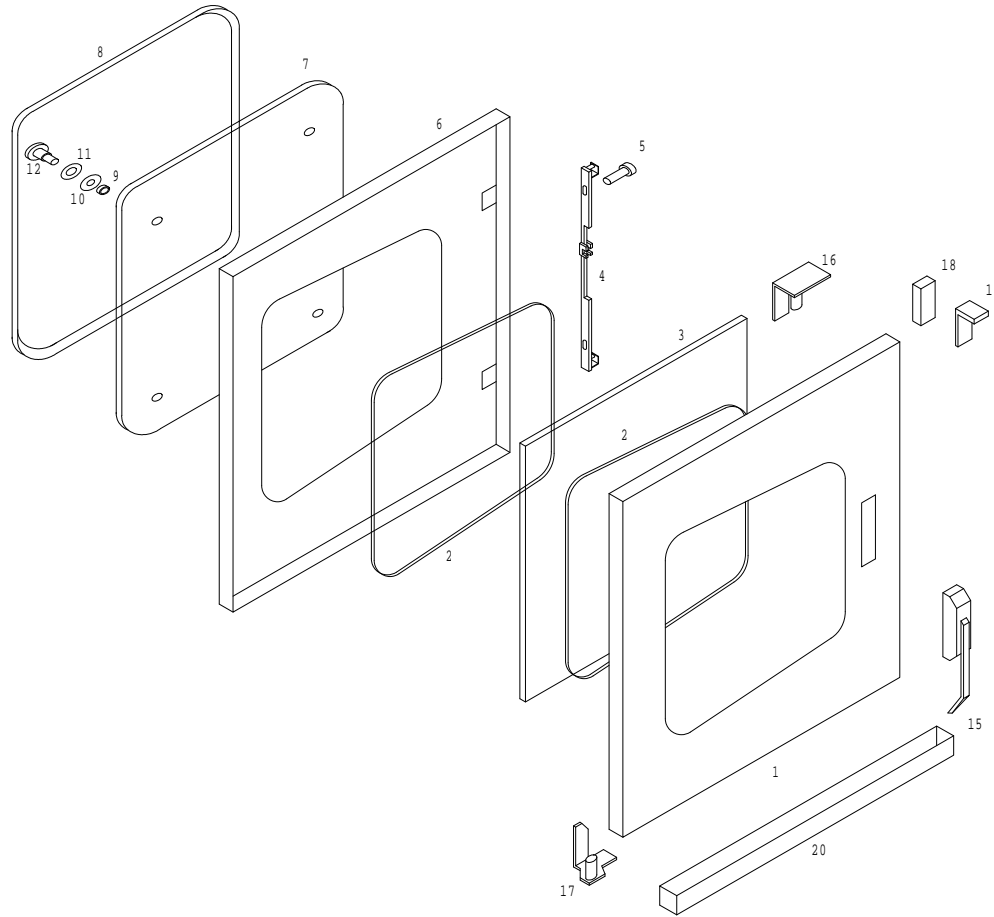
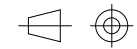
**CLEARED FOR PRODUCTION 01/09/05**

Falcon Foodservice Equipment. Wallace View Hillfoots Road Stirling Scotland

IF IN DOUBT ASK!!

DO NOT SCALE !!

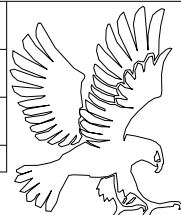
First Angle Projection



ITEM	DESCRIPTION	G4069 SPARES No.	G4109 SPARES No.
1	OUTER DOOR PANEL ASSY	735400640	735400645
2	GLASS SEAL	734340060	734350060
3	OUTER DOOR GLASS	735400660	735400665
4	LINK BAR	735400670	735400675
5	ROLLER PIN	735400680	735400680
6	INNER DOOR ASSY	735400690	735400695
7	INNER DOOR GLASS	735400700	735400705
8	DOOR SEAL	735400710	735400715
9	NYLON WASHER	735400720	735400720
10	GASKET OUTER	735400730	735400730
11	GASKET INNER	735400740	735400740
12	GLASS SCREW	735400750	735400750
13	GLASS SPRING	735400760	735400765
14	DRIP TRAY SPRING	735400770	735400770
15	DOOR HANDLE	735400780	735400780
16	TOP DOOR HINGE	735400790	735400790
17	BOTTOM DOOR HINGE	735400800	735400800
18	KEEPER MOUNTING PLATE	735400810	735400810
19	DOOR KEEPER	735400820	735400820
20	DOOR DRIP TRAY	735400830	735400830

All Dimensions in millimetres, Tolerance- Linear  $\pm 0.5\text{mm}$  Angular  $\pm 0.5^\circ$  (or as stated)

Issue	Mod No.	Alteration	Zone	Drawn by	Date



This part is common to the following units

Drawn	I. HAMILTON	Product	G4069/4109 COMBINATION OVEN	
Date	24-08-05	Title	SPARES DIAGRAM - DOOR	
Scale				
Matl.		Drawing Number	AB44189	Issue
No. off		Finish		
Bin No.	01/09/05	Kraus No.		

© No reproduction or publication of this drawing may be made and no article may be manufactured or assembled in accordance with this drawing without prior written consent. This prohibition is subject to any contract relating to this drawing. Rights reserved under the Copyright Act 1956 as amended by the Design Copyright Act 1988.

**CLEARED FOR PRODUCTION 01/09/05**

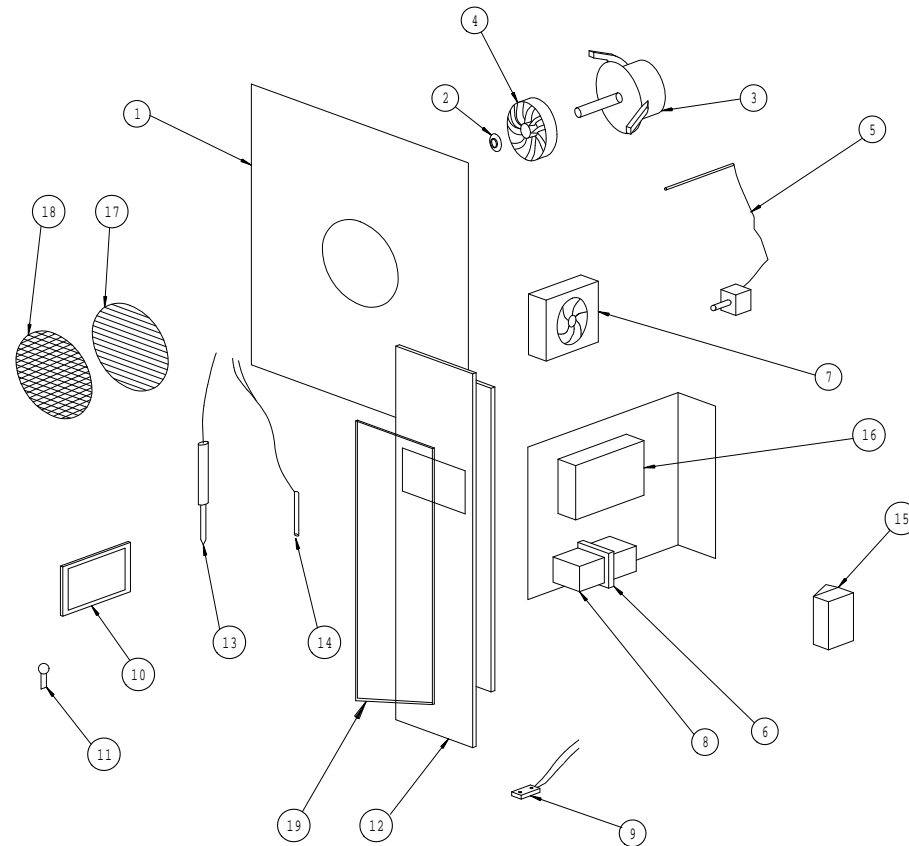
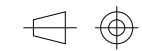
Falcon Foodservice Equipment. Wallace View Hillfoots Road Stirling Scotland



IF IN DOUBT ASK!!

DO NOT SCALE !!

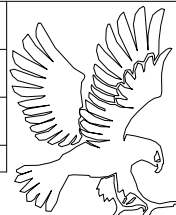
First Angle Projection



ITEM	DESCRIPTION	G4069 SPARES No.	G4109 SPARES No.
1	OVEN BACK BAFFLE	734340110	534350110
2	FAN SHAFT SEAL	735400520	735400520
3	FAN MOTOR c/w CAPACITOR	735400510	735400510
4	FAN IMPELLOR	735400515	735400515
5	OVEN SAFETY THERMOSTAT	534310370	534310370
6	FUSE 5 AMP	735400350	735400350
7	COOLING FAN	735400360	735400360
8	TERMINAL BLOCK ASSEMBLY	534350140	534350140
9	REED SWITCH	735400370	735400370
10	OVEN LIGHT	734350870	734350870
11	BULB	734350190	734350190
12	CONTROL BOARD	735400850	735400850
13	FOOD PROBE	735400871	735400871
14	OVEN THERMOCOUPLE	735400872	735400872
15	SUPPRESSION FILTER	534350200	534350200
16	POWER UNIT	735400860	735400860
17	FAN GUARD	735400600	735400600
18	OVEN FILTER	735400610	735400610
19	GROMMET STRIP	735400873	735400873

All Dimensions in millimetres, Tolerance- Linear  $\pm 0.5\text{mm}$  Angular  $\pm 0.5^\circ$  (or as stated)

Issue	Mod No.	Alteration	Zone	Drawn by	Date



Drawn	I. HAMILTON	Product	G4069/4109 COMBINATION OVEN	
Date	24-08-05	Title	SPARES DIAGRAM - CONTROLS	
Scale				
Matl.		Drawing Number	AB44191	Issue
No. off		Finish		
Bin No.	01/09/05	Kraus No.		

No reproduction or publication of this drawing may be made and no article may be manufactured or assembled in accordance with this drawing without prior written consent. This prohibition is subject to any contract relating to this drawing. Rights reserved under the Copyright Act 1956 as amended by the Design Copyright Act 1988.

This part is common to the following units

**CLEARED FOR PRODUCTION 01/09/05**

Falcon Foodservice Equipment. Wallace View Hillfoots Road Stirling Scotland