



Kühlung Büffet-Element

Artikel-Nr. 651050 (9BESS6FIFWA10 / SERVICE GREEN 6W)

Explosionszeichnung / Ersatzteile

Bitte bei Ersatzteilbestellung immer Artikelnummer und Seriennummer mit angeben!

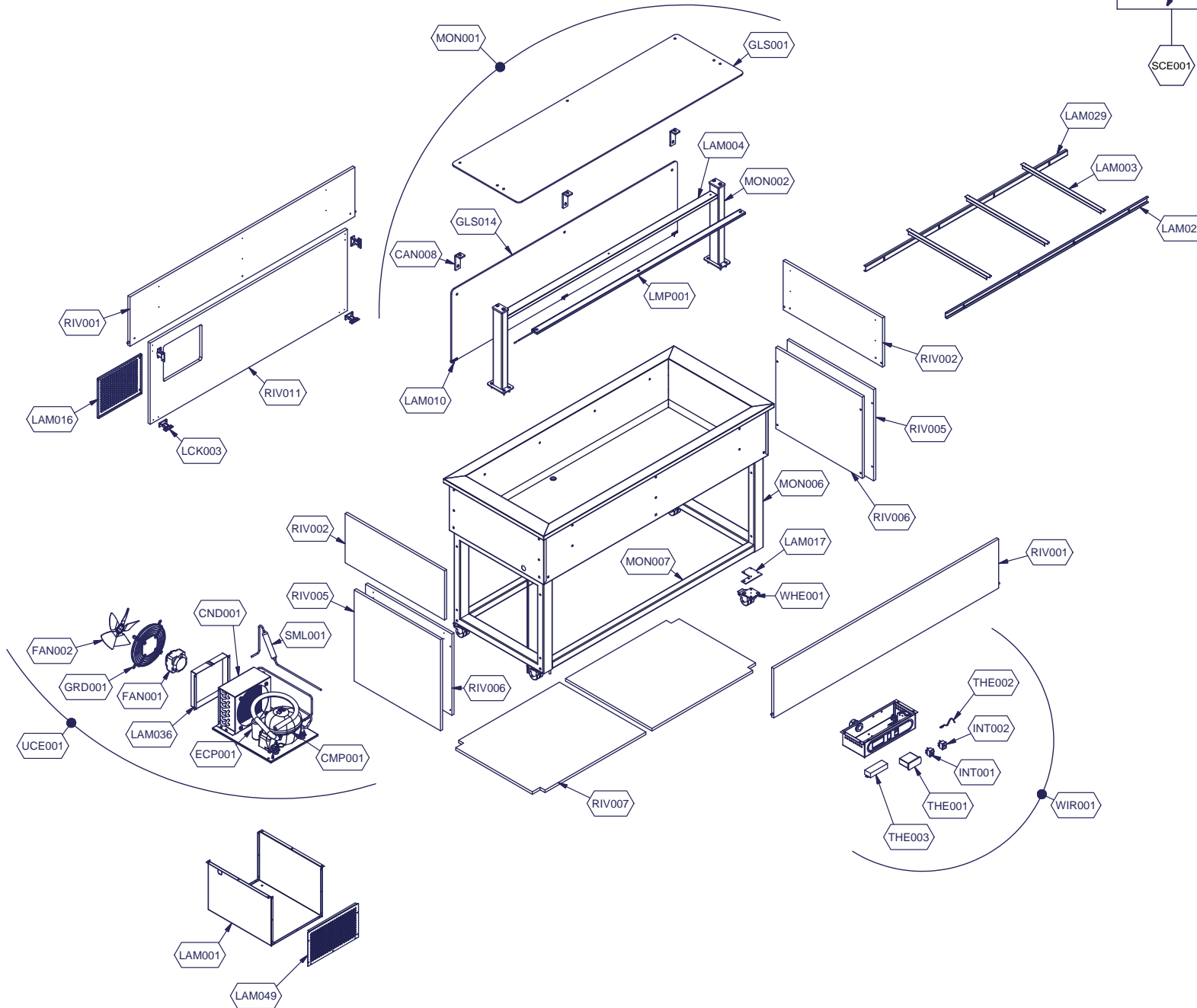
Cod. ESP350

Denominazione: SERVICE GREEN INCORPORATO

Data: 08/04/13

INDICE DI MODIFICA: 00

| | PARAM. | OPTIONAL |
|--------|--------|----------|
| ⚡ | | |
| SCE001 | TAR001 | OPT |



| Code | Description | Notes |
|-------------|-----------------------------------|--------------|
| 74702120 | FIXES GLASS | |
| 74865720 | COMPRESSOR | |
| 74837032 | CONDENSER | 5 |
| 74867011 | COMPRESSOR ELECTRICAL PARTS | 2 |
| 74848101 | FAN | 2 |
| 74848156 | FAN BLADE | 2 |
| 72538788 | SUPERSTRUCTURE TOP GLASS | |
| 72538778 | FRONTAL GLASS | |
| 74845144 | FAN GRID | |
| 74742008 | MAIN ON/OFF SWITCH | 2 |
| 74742017 | LIGHT ON/OFF SWITCH | 2 |
| 72539510 | CONDENSING UNIT SUPPORT | |
| 72556044 | PAN SUPPORT | |
| 72539088 | LED LIGHTING COVERING | |
| 72557114 | GLASS SUPPORT | |
| 72539518 | CONDENSING UNIT GRID | |
| 72539674 | FRAME FIXING KIT | |
| 72539488 | PANS SUPPORTS | |
| 72539716 | AIR PANEL | |
| 72539514 | PROTECTION GRID | |
| 74702072 | HOOK | |
| 72539048 | LED LIGHTING | |
| 73668708 | SUPERSTRUCTURE | |
| 72539070 | SUPERSTRUCTURE SIDE SUPPORT | |
| 72539680 | SIDE FRAME | |
| 72539698 | FRONT BOTTOM FRAME | |
| 72546376 | FOOD ISLAND TOP LONGER SIDE PANEL | |
| 72546306 | FOOD ISLAND TOP SIDE PANEL | |
| 72546316 | EXTERNAL BOTTOM SIDE PANEL | |
| 72546326 | INTERNAL BOTTOM SIDE PANEL | |
| 72546426 | BOTTOM SHELF | |
| 72545776 | LOW BACK PANNEL | |
| SC850 | ELECTRICAL WIRING | |
| 73670236 | DRIER FILTER | 2 |

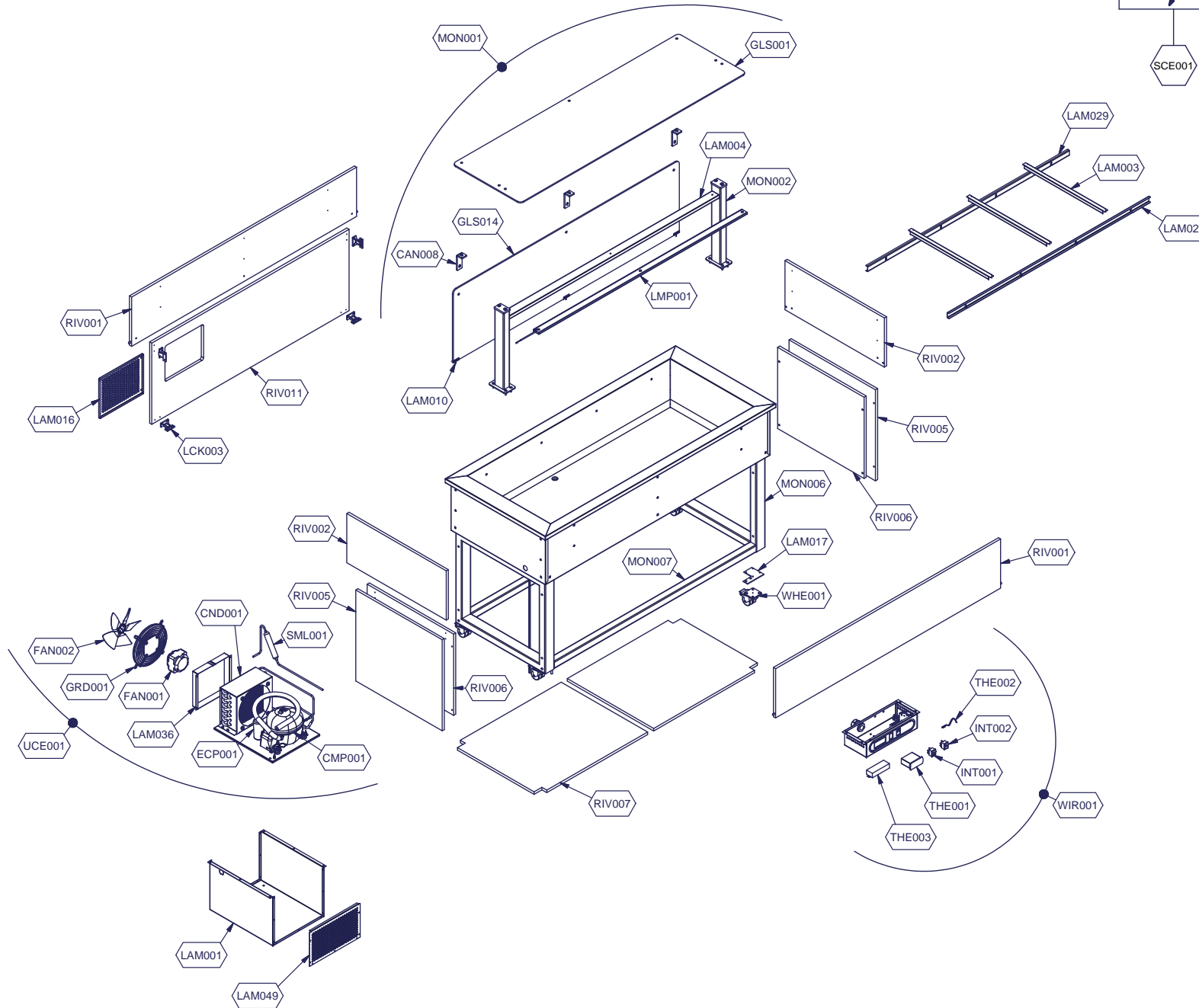
Cod. ESP350

Denominazione: SERVICE GREEN INCORPORATO

Data: 08/04/13

INDICE DI MODIFICA: 00

| | PARAM. | OPTIONAL |
|--------|--------|----------|
| ⚡ | | |
| SCE001 | TAR001 | OPT |



| Code | Description | Notes |
|-------------|--------------------------------|--------------|
| RIF.TAR.B01 | CONTROLLER PRESETTING SERVICE | 1 |
| 74700881 | UNSETTED ELECTRONIC CONTROLLER | 1 |
| 74700916 | PROBE | 1 |
| 74700892 | LED POWER PACK | 1 |
| 74861324 | FULL CONDENSING UNIT | |
| 74708007 | CASTOR/FEET | |
| 73669900 | POWER BOX | |