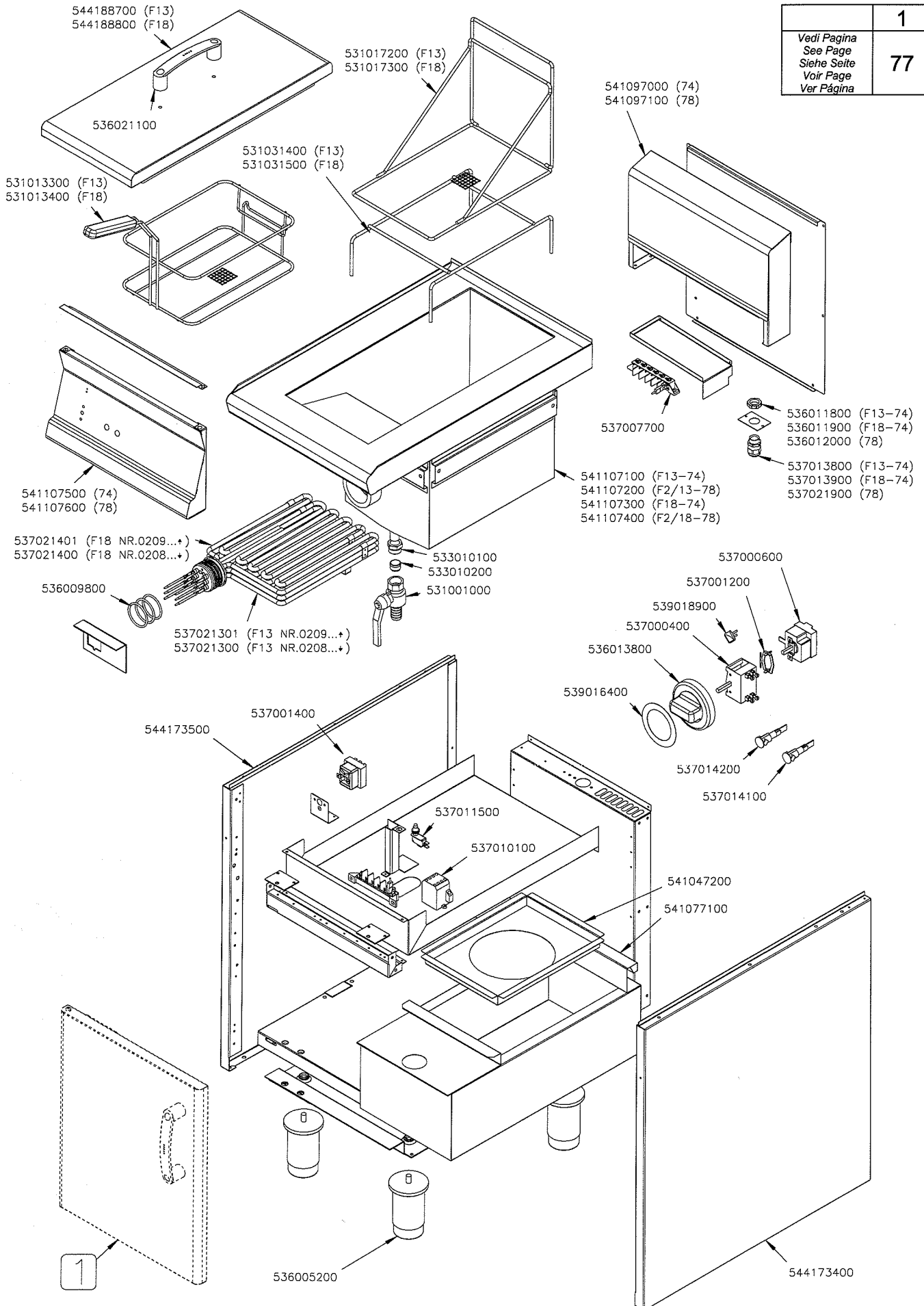
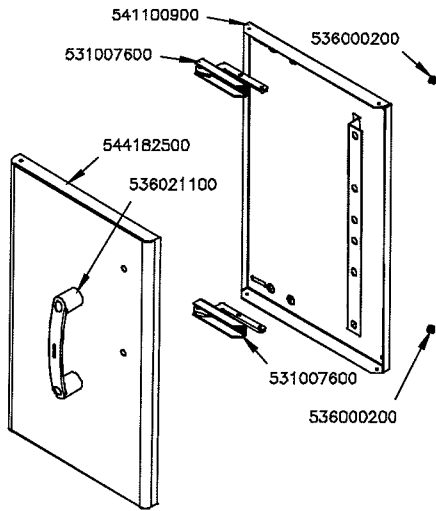


F13-74ET F2/13-74ET F18-74ET F2/18-78ET

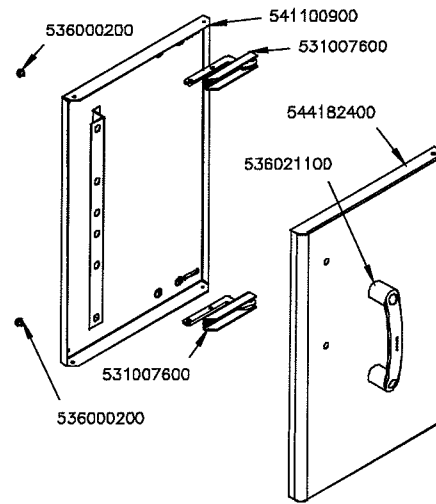
	1
Vedi Pagina See Page Siehe Seite Voir Page Ver Página	77



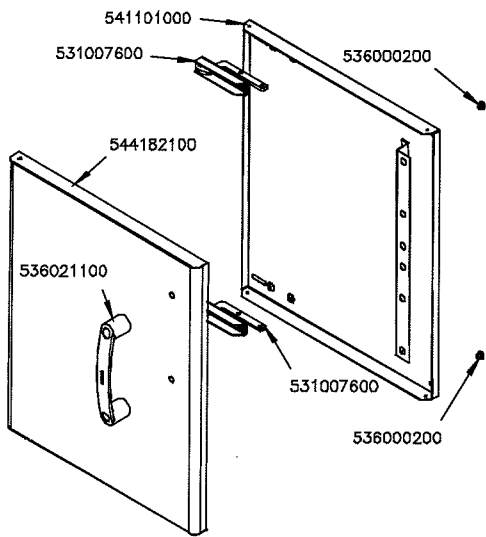
PORTE MOBILE / DOORS OF THE STAND / FLÜGELÜREN DES UNTERSCHRANK / PORTES DU PLACARD



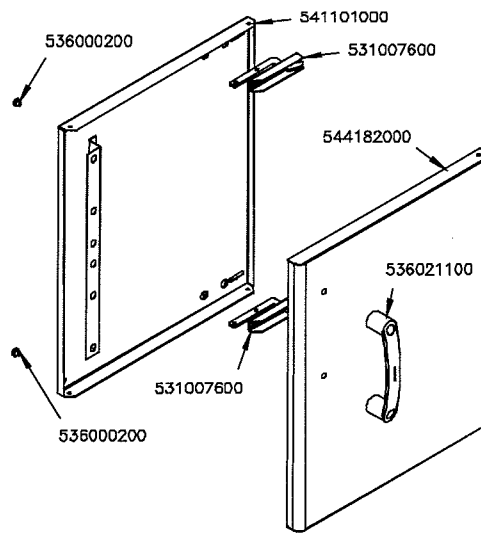
P-73 SX



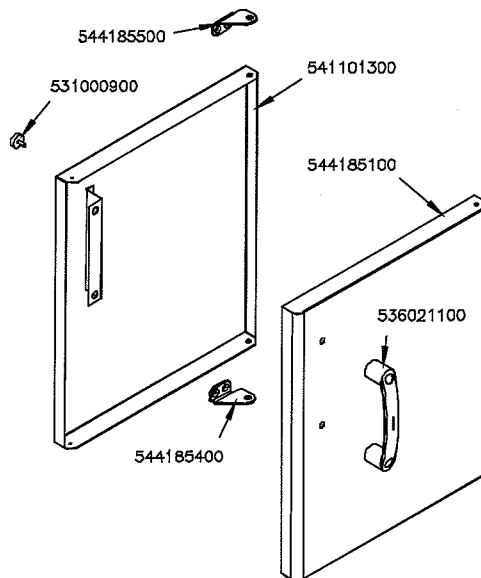
P-73 DX



P-74 SX



P-74 DX



P-74 DX CF

Page	Pos	Code	Description
001		544188800	TANK LID F18-74G
001		531017300	TANK FILTER/BASKET SUPPORT FMG15/18
001		531031500	FILTER SUPPORT F18 70LINE
001		536021100	BLACK HANDLE 70LINE + 2RED POINTS
001		531013400	FRYER BASKET 15LTS.GAS/ELECTRIC
001		541097100	NEUTRAL SPACER 78
001		537007700	TERMINAL BLOCK THREEPHASE 40A
001		536012000	HEXAGONAL LOCK NUT PG-21
001		537021900	CABLE SECURING CLAMP V.TEC 21 D.24
001		541107400	UPPER PLATE F2/18-78E
001		541107600	CONTROL PANEL F2/13/18-78E
001		537021401	HEATING EL.W13500 V230 FOR FRYER
001		537021400	HEATING EL.W13500 V230 FOR FRYER
001		536009800	GASKET O-RING 47,22X3,53 VITON
001		533010100	3/4 D. 18 PIPE UNION
001		533010200	BICONE 18S
001		531001000	DRAIN COCK 3/4" + HANDLE
001		537000600	THERMOSTAT 90-180°C SINGLEPHASE
001		537001200	FIXING BRACKET FOR THERMOSTAT/COMM.
001		539018900	INDEX FOR KNOB
001		537000400	COMMUTATOR 1POS.SINGLEPHASE S49 16A
001		536013800	KNOB D.70 BLACK 6*5 WITH SPRING
001		539016400	ADHESIVE GRADUATED DISC FOR KNOB
001		537014200	GREEN WARNING LIGHT 250V
001		537014100	WHITE WARNING LIGHT 250V
001		541047200	FILTER FOR DRIP TRAY
001		541077100	FILTER FOR DRIP TRAY 23L
001		537011500	MICRO-SWITCH 16A
001		537010100	REMOTE CONTROL SWITCH 20A 230V
001		544173400	RIGHT SIDE PANEL S.70
001		536005200	INOX LEG 2" 120-180 M10
001		537001400	SAFETY THERMOSTAT 235°C THREEPHASE
001		544173500	LEFT SIDE PANEL S.70
002		541100900	INNER DOOR 73
002		531007600	DOOR HINGE
002		544182500	RIGHT DOOR 73
002		536021100	BLACK HANDLE 70LINE + 2RED POINTS
002		536000200	D.12 H.4 BUMPER
002		544182400	RIGHT DOOR 73
002		531000900	MAGNET \$22 KG.3 WITH DISK
002		541101000	INNER DOOR 74
002		544182100	LEFT DOOR 74
002		544182000	RIGHT DOOR 74
002		544185500	UPPER DOOR HINGE FOR COMPARTME CF70
002		531000900	MAGNET \$22 KG.3 WITH DISK
002		541101300	RIGHT INNER DOOR 74 CF
002		544185100	RIGHT DOOR 74
002		544185400	LOWER DOOR HINGE FOR COMPARTME CF70