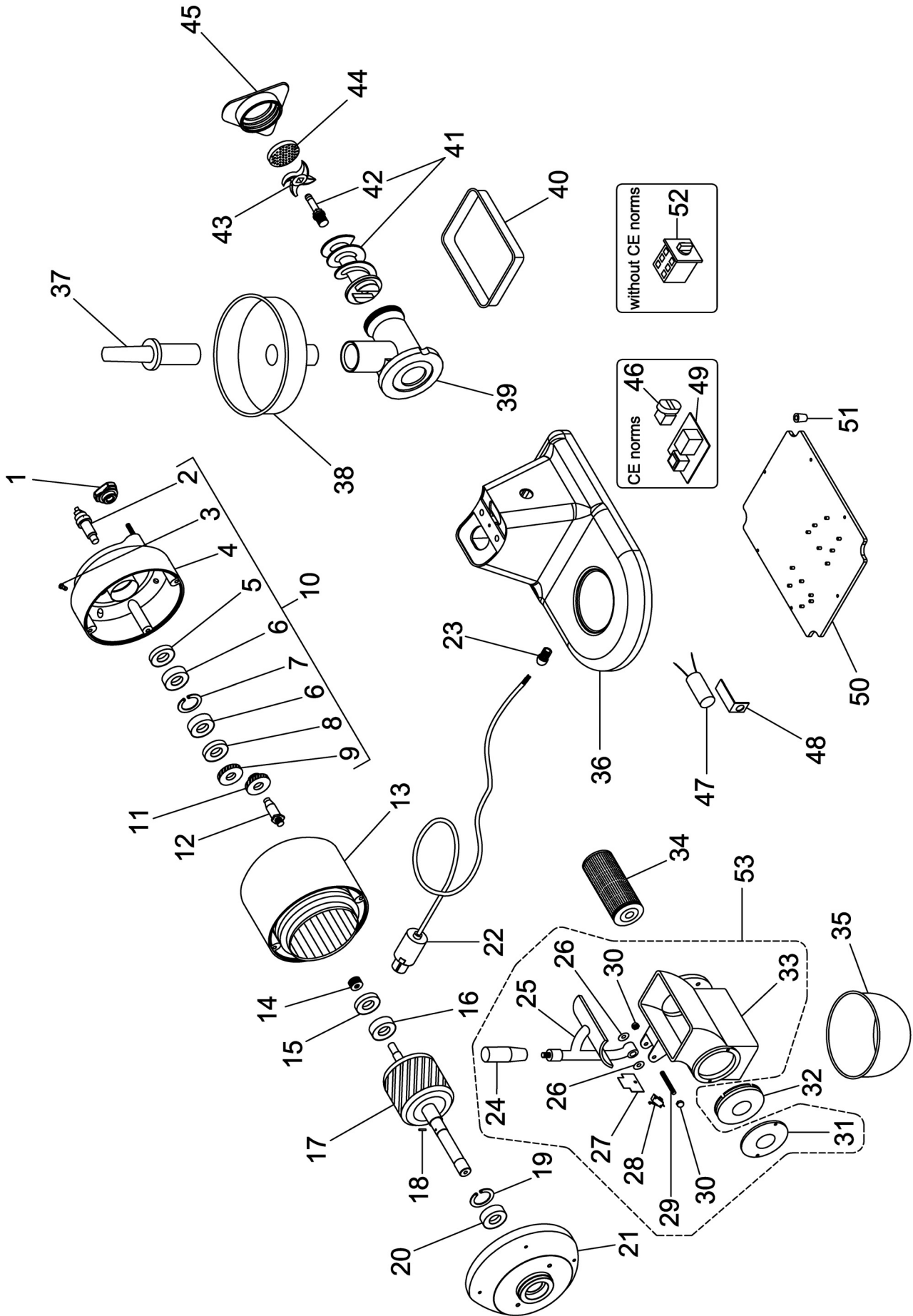


AB12ATQ0



AB12ATQ0

Pos. Ref.	Codice Code	Caratteristiche Features	Descrizione Description
1	SL2924	●	Pomello Knob
2	SL2527		Albero Shaft
3	SL2917	●	Tappo Tap
4	SL2526		Calotta Calotte
5	SL2591	∅25x∅47x7	Paraolio Oil seal
6	SL3125	6204 2RS	Cuscinetto Bearing
7	SL0082	∅47	Seeger Seeger
8	SL2593	∅20x∅47x7	Paraolio Oil seal
9	SL0130		Ingranaggio Gear
10	SA2500	Assembly	Calotta Calotte
11	SL0125		Ingranaggio Gear
12	SL2589		Albero Shaft
13	SA1014	400V/3Ph/50Hz	Statore Stator
13	SA1015	230V/1Ph/50Hz	Statore Stator
14	SL0128		Ingranaggio Gear
15	SL0127	∅17x∅40x7	Paraolio Oil seal
16	SL0131	6203 2RS	Cuscinetto Bearing
17	SA6700	400V/3Ph/50Hz	Rotore Rotor
17	SA6600	230V/1Ph/50Hz	Rotore Rotor
18	SL0121	∅5x10	Spina Pin
19	SL0119	∅52	Seeger Seeger
20	SL0118	6205 2RS	Cuscinetto Bearing
21	SL0117		Calotta Calotte
22	SL1841	3Ph+Gnd	Cavo elettrico Electric cable
22	SL1671	1Ph+N+Gnd	Cavo elettrico Electric cable
23	SL1668	PG11	Pressacavo Cable clamp
24	SL0106	●	Impugnatura Grip
25	SA1113		Pressore Lever press
26	SL3140		Rosetta Washer
27	SL3138		Copertura Covering
28	SL0885	●	Microinterruttore Microswitch
29	SL0258		Prigioniero Stud
30	SL0108		Dado Nut
31	SL2833		Coperchio Cover
32	SL2573		Tappo Tap
33	SA1012	Assembly	Bocca Casing
34	SA2800		Rullo Roller
35	SL0174		Recipiente Container
36	SL2988		Base Base
37	SL0134	●	Pestello Pusher
38	SL0136		Tramoggia Hopper
39	SL3981	Stainless-steel	Bocchettone Sleeve
39	SL2553R0	Food stuff treated cast-iron (without CE norms)	Bocchettone Sleeve
39	SL3982	Unger	Bocchettone Sleeve
40	SL0180		Recipiente Container
41	SA5300	● Stainless-steel	Elica Screw shaft
41	SA5350	Food stuff treated cast-iron (without CE norms)	Elica Screw shaft
41	SA2600	Unger	Elica Screw shaft
42	SL2521		Perno Pivot
42	SL2561	Unger	Perno Pivot
43	///////	●	Coltello Cutter
44	///////	●	Piastra Plate
45	SL0171	Stainless-steel	Volantino Handwheel
45	SL3327R0	Aluminium (without CE norms)	Volantino Handwheel
46	SL0891	● Start-stop	Pulsante Push button
47	SL0177	16µF	Condensatore Condenser
48	SL0176		Staffa Bracket
49	SL0883	●	Scheda elettronica Electronic card
50	SL2651		Fondo Bottom
51	SL0235		Piedino Foot
52	SL0054		Interruttore Switch
53	SA1119	Assembly	Bocca Casing

(*): fuori produzione / out of production

● : ricambio consigliato / spare part suggested