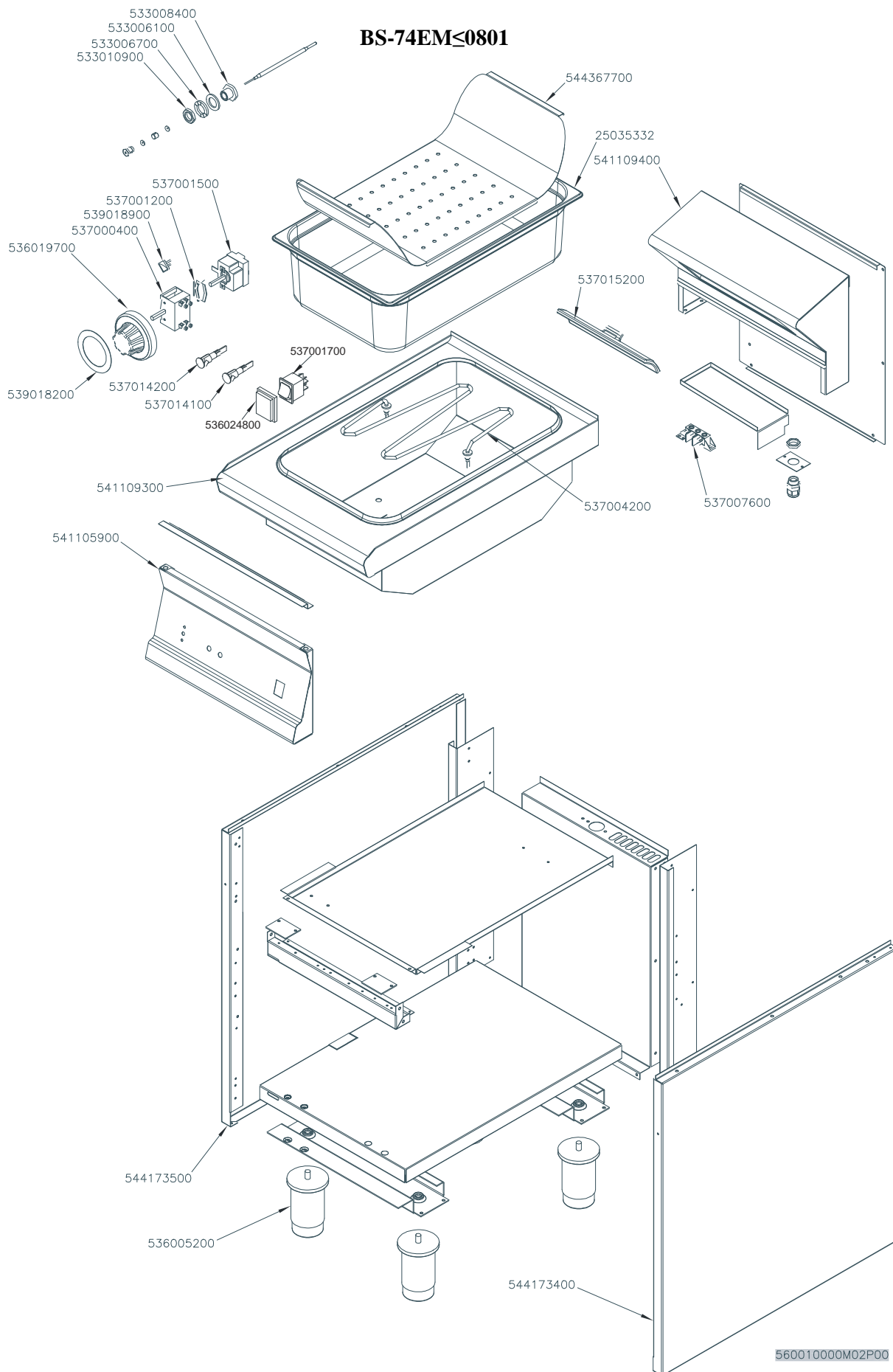


SUPERLOTUS 70≥0602
ELETRICO / ELECTRIC / ELEKTRO / ELECTRIQUE

BS-74EM≤0801



560010000M02P00

Page	Pos	Code	Description
001		533008400	LOCK NUT M14*1-M9*1
001		533006100	GASKET D.24
001		533006700	NOTCHED WASHER D.14
001		533010900	NUT M14*1 H.4
001		544367700	FALSE BOTTOM GN1/1 VERT.BS-74EM
001		25035332	
001		541109400	SPACER BS-74E
001		537015200	CERAMIC HEATING EL.W650 V230 BS-74E
001		537001500	THERMOSTAT 30-90°C SINGLEPHASE
001		537001200	FIXING BRACKET FOR THERMOSTAT/COMM.
001		539018900	INDEX FOR KNOB
001		537000400	COMMUTATOR 1POS.SINGLEPHASE S49 16A
001		536019700	BLACK KNOB §70 PIN §6*5
001		539018200	ADHESIVE GRADUATED DISC FOR KNOB
001		537014200	GREEN WARNING LIGHT 250V
001		537014100	WHITE WARNING LIGHT 250V
001		536024800	
001		537001700	GREENLIGHTED BIPOLAR SWITCH
001		537007600	TERMINAL BLOCK SINGLEPHASE 40A
001		537004200	HEATING ELEMENT W823 V230 BM
001		541105900	CONTROL PANEL BS-74E
001		544173500	LEFT SIDE PANEL S.70
001		536005200	INOX LEG 2" 120-180 M10
001		544173400	RIGHT SIDE PANEL S.70