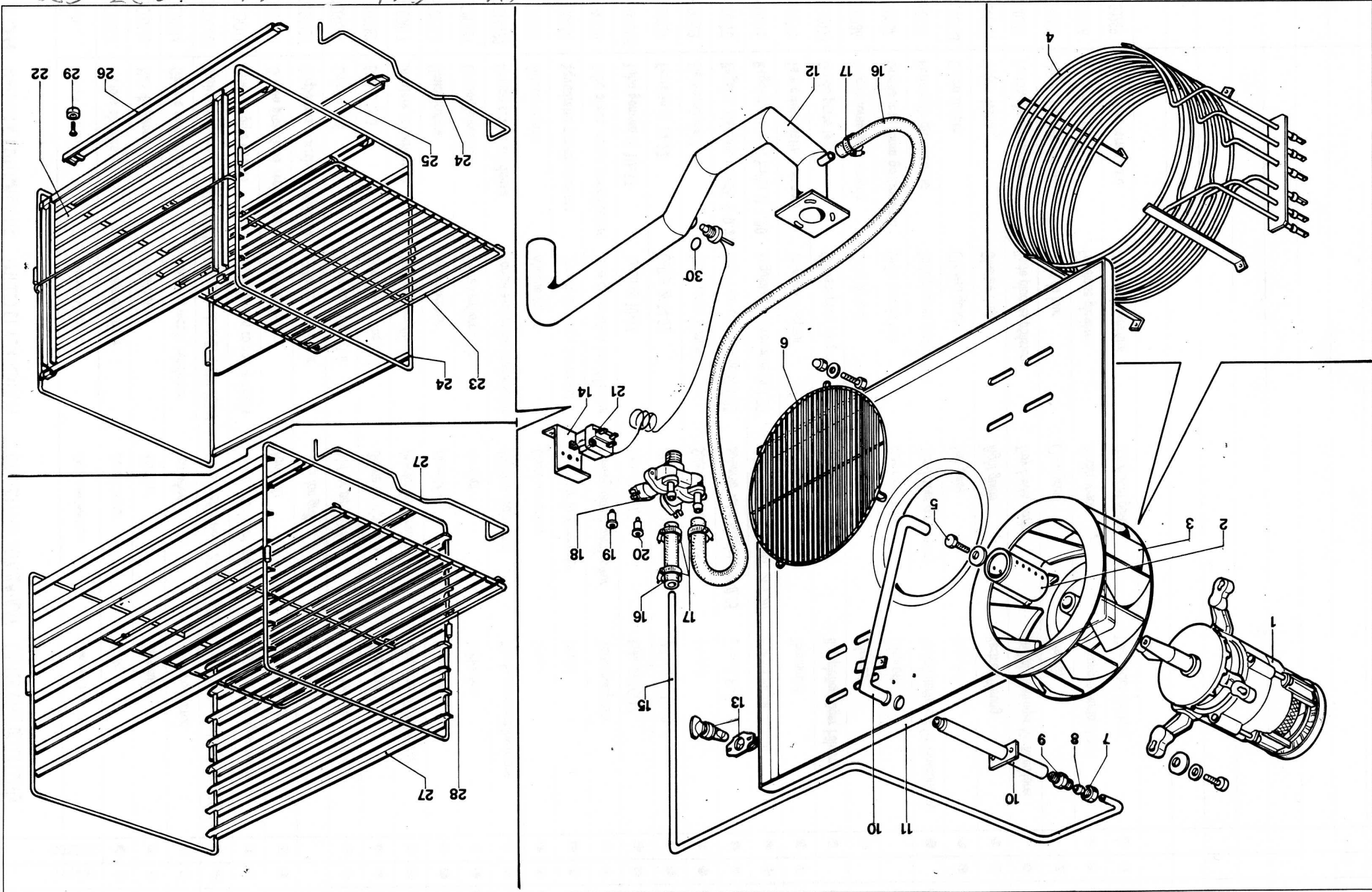


TAV. 233 STRUTTURA STRUCTURE STRUCTURE STRUKTUR

	Codice	Denominazione	Denomination	Denomination	Bezeichnung	FGC200-FGP160 FGM200-201	FGM200-201- 202	FEC200-FEP160 FEM200-201	FEM200-201- 202
1	GAFOC00049	Porta forno	Porte du four	Oven door	Ofentür	●	●	●	●
2	RTFOC00065	Cristallo porta forno	Verre porte four	Oven door glass	Ofentürglas	●	●	●	●
3	GAFOC00030	Cerniera superiore porta	Charnière supérieure	Upper hinge	Linke Türangel	●	●	●	●
4	MPGOM03P00	Guarnizione vetro porta	Garniture verre porte	Oven door glass gasket	Türdichtung	●	●	●	●
5	PAFOC00064	Controporta forno	Contre porte du four	Oven counter door	Gegentür	●	●	●	●
6	GAFOC00031	Cerniera inferiore porta	Charnière inférieure	Lower door hinge	Untere Türangel	●	●	●	●
7	RTFOC00360	Maniglia porta forno	Poignée porte four	Oven door handle	Ofentürgriff	●	●	●	●
8	PAFOC00063	Protezione serratura porta	Protection de la serrure	Lock guard	Schlosschutz	●	●	●	●
9	GAFOC00048	Cassetto	Tiroir	Drawer	Kasten	●	●	●	●
10	RTFOC00094	Guarnizione porta forno	Garniture porte du tour	Oven door gasket	Türdichtung	●	●	●	●
11	PAFOC00092	Pannello inferiore	Panneau inférieur	Lower panel	Untere Tafel	●	●	●	●
12	GAFOC00066	Cruscotto	Panneau de contrôle	Control panel	Stirnbrett	●	●	●	●
12	GAFOC00121	Cruscotto (FEM202-FGM202)	Panneau de contrôle (FEM202 - FGM202)	Control panel (FEM202-FGM202)	Stirnbrett (FEM202-FGM202)		●		●
13	RTFOC00086	Piedino	Pied inox	Foot inox	Inox - Fuss	●	●	●	●
14	PAFOC00284	Fianco inox	Côté inox	Inox side	Inox - Seite	●	●	●	●
15	PAFOC00286	Pannello esterno	Panneau extérieur	External panel	Aussentafel	●	●	●	●
15	PAFOC00371	Pannello esterno (FGM202-FEM202-FEC200-FEP160)	Panneau extérieur (FGM202-FEM202-FEC200-FEP160)	External panel (FGM202-FEM200-FEC200-FEP160)	Aussentafel FGM202-FEM200-FEC200-FEP160				●
16	PAFOC00283	Posteriore inox	Panneau postérieur inox	Inox back panel	Inox - Rückwand	●	●	●	●
17	GAFOC00143	Coperchio	Couvercle	Cover	Topfdeckel				●
17	GAFOC00140	Coperchio	Couvercle	Cover	Topfdeckel	●			
17	GAFOC00129	Coperchio	Couvercle	Cover	Topfdeckel			●	
17	GAFOC00145	Coperchio	Couvercle	Cover	Topfdeckel		●		
18	RTFOC00324	Camino superiore	Cheminée supérieur	Upper chimney	Linke Schornstein	●			
18	RTFOC00349	Camino superiore	Cheminée supérieur	Upper chimney	Linke Schornstein		●		
19	AFC0050	Camino antivento	Cheminée antirefuleur	Chimney	Schornstein	●			
20	AFC0051	Camino antivento	Cheminée antirefuleur	Chimney	Schornstein		●		
21	GAFOC00027	Disco copriforo	Disque	Disk	Scheibe	●	●	●	●
22	RTFOC00392	Manopola scarico condensa	Manette évacuation condensat.	Moisture drain knob	Drehknopf Kondenswasserablass	●	●	●	●
23	RTFOC00328	Asta anteriore scarico condensa	Antenne avant évacuation conden.	Front rod moisture drain	Vordere stange	●	●	●	●
24	RTFOC00329	Asta trasversale scarico condensa	Antenne transversale évacuation cond.	Transverse rod moisture drain	Querstange	●	●	●	●
25	PAFOC00329	Disco scarico condensa	Disque évacuation condensat.	Moisture drain disk	Scheibe	●	●	●	●
26	MPGOM03P00	Guarnizione	Garniture	Gasket	Dichtung	●	●	●	●
27	RTFOC00254	Motore e ventilatore	Ventilateur électrique	Electric ventilator	Ventilatorlau	●	●	●	●
28	GAFOC00119	Convogliatore calore	Convoyeur de chaleur	Heat conveyor	Wärme Förderer	●	●	●	●
29	RTFOC00201	Vetro portalampada	Verre protège ampoule	Lamp-holden glass	Leuchtenhalterungsglas	●	●	●	●
30	RTFOC00037	Lampada 25 W. 230 V.	Ampoule 25 W. 230 V.	Lamp 25 W. 230 V.	Leuchte 25 W. 230 V.	●	●	●	●
31	RTFOC00036	Portalampada	Douille	Lamp-holder	Leuchtenhalterung	●	●	●	●
32	RTFOC00202	Guarnizione portalampada	Garniture	Gasket	Dichtung	●	●	●	●
33	RTFOC00009	Gancio fisso serratura	Crocket fixe de la serrure	Lock fixed hook	Fester Schlossnaken	●	●	●	●
34	GAFOC00051	Serratura porta forno	Serrure porte four	Oven door lock	Ofentürschloss	●	●	●	●
35	RTFOC00057	Zoccolo centrale serratura	Prise centrale serrure	Control connection lock	Mittlerer Anschluss	●	●	●	●
36	RTFOC00005	Zoccolo esterno serratura	Prise extérieure serrure	External connection lock	Ausserer Anschluss	●	●	●	●

673-661 - 641-632



TAV. 234 GRIGLIE E VENTILAZIONE GRILLES ET VENTILATION GRILLES AND VENTILATION GITTER UND BELÜFTUNG

	Codice	Denominazione	Denomination	Denomination	Bezeichnung	FEC200	FEP160	FEMD200-201	FEM200-201-202
1	RTFOC00322	Motore elettrico	Moteur électrique	<i>Electric motor</i>	E-Motor	●	●	●	●
2	RTFOC00156	Nebulizzatore	Nébulisateur	<i>Atomizer</i>	Zerstäuber	●	●	●	●
3	RTFOC00314	Girante ventilatore	Couronne mobile ventilateur	<i>Fan wheel</i>	Ventilatorlaufrad	●	●	●	●
4	RTFOCO0307	Resistenza forno 21,6 KW 230 V	Resistance elect. 21,6 KW 230 V	<i>Oven heating elect. 21,6 KW 230 V</i>	Elektr. Widerstand 21,6 KW 230 V	●	●	●	●
5	RTFOCO0118	Vite fissaggio girante	Vis de fixation couronne mobile	<i>Wheel attachment screw</i>	Laufreibetfestigungsschraube	●	●	●	●
6	RTFOC00311	Griglia protezione ventilatore	Grille ventilateur	<i>Fan grille</i>	Ventilatorgitter	●	●		
6	RTFOC00323	Griglia inox protezione ventilatore	Grille inox ventilateur	<i>Inox fan grille</i>	Ventilatorgitter			●	●
7	RTFOC00020	Calotta Ø 6	Ecrou pour tube Ø 6	<i>Nut for pipe Ø 6</i>	Mutter für Schlauch Ø 6	●	●	●	●
8	RTCU800183	Bicono Ø 6	Bicone pour tube Ø 6	<i>Bicone for pipe Ø 6</i>	Zweikegel Ø 6	●	●	●	●
9	RTFOC00019	Iniettore umidificatore	Injecteur humidificateur	<i>Injector for humidifier</i>	Einspritzer für Befeuchter	●	●	●	●
10	RTFOC00313	Umidificatore	Humidificateur	<i>Humidifier</i>	Befeuchter	●	●	●	●
11	PAFOC00289	Convogliatore aria	Coiffe ventilateur air	<i>Air duct</i>	Lufförderer	●	●	●	●
12	GAFOC00132	Rampa scarico condensa	Rampe évacuation condensation	<i>Moisture drain ramp</i>	Kondenswasserablassrampe	●	●	●	●
13	RTFOC00334	Attacco rapido	Attaque rapide	<i>Quick connection</i>	Schluss	●	●	●	●
14	PACP800062	Squadretta portatermostato	Équerre de fixage thermostat	<i>Bracket to fix thermostat</i>	Winkel	●	●	●	●
15	RTFOC00310	Tube allacc. acqua umidificatore	Tube alimentation humidificateur	<i>Feeding pipe humidificateur</i>	Versorgungsrohr	●	●	●	●
16	MPGOM10T00	Tube gomma Ø 10x17	Tuyan Ø 10x17	<i>Pipe Ø 10x17</i>	Rohr Ø 10x17	●	●	●	●
17	RTMIN00221	Fascetta Ø 14-22	Collier Ø 14-22	<i>Clamp Ø 14-22</i>	Windel Ø 14-22	●	●	●	●
18	RTFOC00203	Elettrovalvole 2 vie	Elettrovanne 2 voies	<i>Solenoid valve 2 ways</i>	E-ventil	●	●	●	●
19	RTFOC00120	Regolat. elettrov. umidif. Ø 0,25	Regulateur elettrovanne Ø 0,25	<i>Solenoid valve regulator Ø 0,25</i>	E-ventil Regler Ø 0,25	●	●	●	●
20	RTFOC00145	Regolat. elettrov. boiler Ø 1,20	Regulateur elettrovanne Ø 1,20	<i>Solenoid valve regulator Ø 1,20</i>	E-ventil Regler Ø 1,20	●	●	●	●
21	RTFOC00275	Termostato elettrico vapore	Thermostat vapeur	<i>Thermostat</i>	Thermostat	●	●	●	●
22	GAFOC00127	Guida porta teglie	Glissière porte plaques	<i>Tray-holder guide</i>	Backplattenträger Führung	●		●	●
23	RTFOC00286	Griglia forno gastronomia	Grille du four	<i>Oven grate</i>	Ofenrost	●			
23	RTFOC00287	Griglia inox forno gastronomia	Grille inox du four	<i>Inox oven grate</i>	Ofenrost			●	●
24	RTFOC00318	Portateglie gastronomia	Porte plaques gastronomie	<i>Tray-holder gastronomy</i>	Backplattenträger für Gastronomie	●		●	●
25	GAFOC00133	Guida sinistra	Glissière gauche	<i>Left guide</i>	Linke Führung	●	●	●	●
26	GAFOC00131	Guida destra	Glissière droite	<i>Right guide</i>	Rechte Führung	●	●	●	●
27	RTFOC00383	Portateglie pasticceria	Porte plaques pâtisserie	<i>Tray-holder pastry</i>	Backplattenträger für Konditorei		●		
28	RTFOC00285	Griglia forno pasticceria	Grille du four	<i>Oven grate</i>	Ofenrost		●		
29	RTFOC00316	Distanziale guide	Entretoise glissières	<i>Guides spacer</i>	Führungen Abstandstück	●	●	●	●
30	RTFOC00289	Guarnizione termostato	Garniture thermostat	<i>Thermostat gasket</i>	Thermostat Dichtung	●	●	●	●

628

