

9,5 kW	9,5 kW
9,5 kW	9,5 kW

K4FZS - K4FZSFG
K4FZSFE - K4FZSFCG
K4FZSFCE

9,5 kW
4,0 kW

K2FZ - OP2FZ

6,0 kW	9,5 kW
9,5 kW	4,0 kW

K4FZ - B4FZ - OP4FZ - K4FZFG/FE/FCG/FCE

6,0 kW	6,0 kW	9,5 kW
4,0 kW	9,5 kW	4,0 kW

K6FZ - B6FZ - OP6FZ - K6FZFG/FE/FCG/FCE/FGA

6,0 kW	6,0 kW	6,0 kW	9,5 kW
9,5 kW	4,0 kW	9,5 kW	4,0 kW

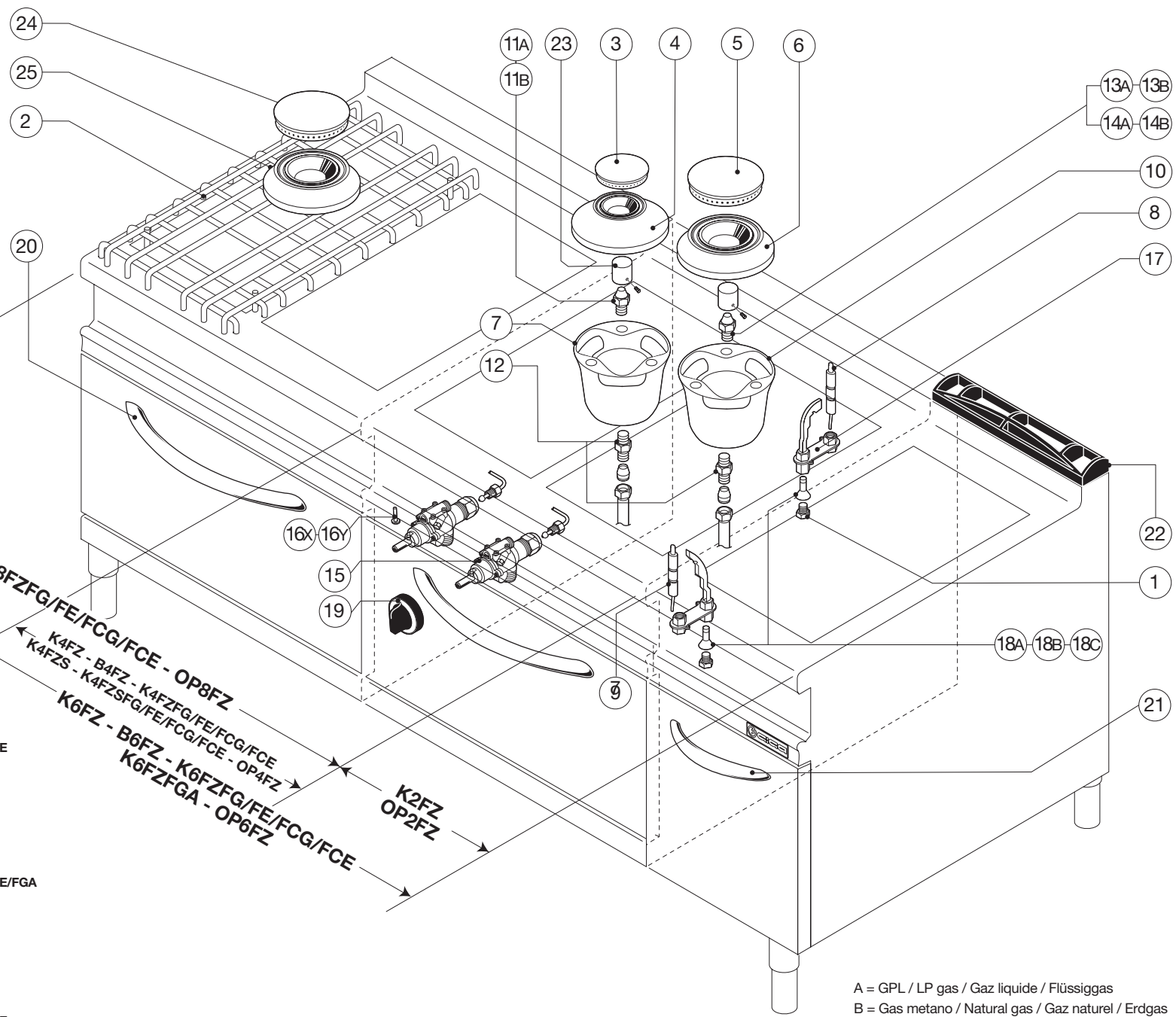
K8FZ - B8FZ - OP8FZ - K8FZFG/FE/FCG/FCE

K8FZ - B8FZ - K8FZFG/FE/FCG/FCE - OP8FZ

K4FZ - B4FZ - K4FZFG/FE/FCG/FCE
K4FZS - K4FZSFG/FE/FCG/FCE - OP4FZ

K6FZ - B6FZ - K6FZFG/FE/FCG/FCE
K6FZFGA - OP6FZ

K2FZ
OP2FZ



A = GPL / LP gas / Gaz liquide / Flüssiggas
B = Gas metano / Natural gas / Gaz naturel / Erdgas



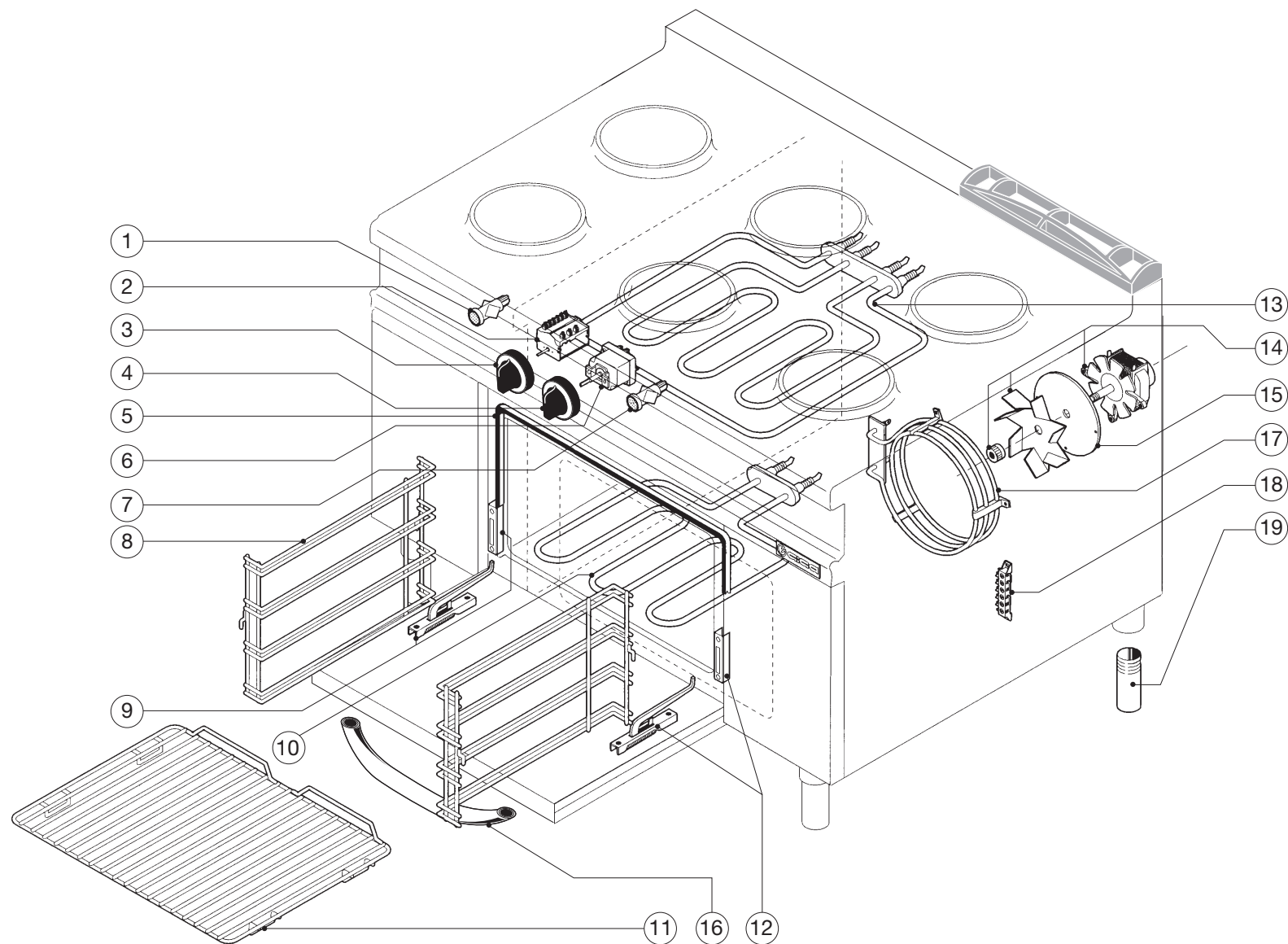
N.B.: La tavola si completa con la successiva n° See table No. Voir tableau n° Wichtig: S. folgender Plan Nr.

• 3E01-004 K4FZFG - K6FZFG K8FZFG - K4FZSFG	• 3E01-005 K4FZFE - K6FZFE K8FZFE - K4FZSFE	• 3E01-006 K4FZFCG - K4FZSFCG K6FZFCG - K8FZFCG	• 3E01-007 K4FZFCE - K4FZSFCE K6FZFCE - K8FZFCE	• 3E01-008 K6FZFGA
---	---	---	---	-----------------------

3E01-012

K2FZ - K4FZ - K4FZS - K6FZ - K8FZ K4FZFG - K4FZFE - K4FZFCG - K4FEFCE K6FZFG - K6FZFE - K6FZFCG - K6FZFCE K8FZFG - K8FZFE - K8FZFCG - K8FZFCE K4FZSFG - K4FZSFE - K4FZSFCG - K4FZSFCG K4FZSFCG - K4FZFGA - B4FZ - B6FZ - B8FZ OP2FZ - OP4FZ - OP6FZ - OP8FZ

Pezzi/Pieces Pieces/Anzahl									Pos.	Validità dalla matricola Validité du numéro matricule Validity from serial number Gültigkeit ab der (Seriennummer)	Validità alla matricola Validity up to serial number Validité au numéro matricule Gültigkeit bis zur (Seriennummer)	Codice Code Artikel Nummer	Descrizione	Description	Description	Beschreibung
K2FZ-OP2FZ	K4FZ-OP4FZ-B4FZ	K4FZS	K6FZ-OP6FZ-B6FZ	K8FZ-OPFZ-B8FZ	K4FZFG/FE/FCG/ICE	K4FZSFG/FE/FCG/ICE	K6FZFG/FE/FCG/ICE	K8FZFG/FE/FCG/ICE								
2	4	4	6	8	4	4	6	8	1			X13200	Dado fissaggio iniettore	Injector fastening nut	Ecrou de fixation injecteur	Befestigungsmutter Einspritzung
1	2	2	3	4	2	2	3	4	2			KG30	Griglia	Grid	Grille	Rost
1	1		2	2	1		2	2	3			V00300	Spartifiamma 4,0 kW	Flame spreader 4,0 kW	Diffuseur de flamme 4,0 kW	Flammenverteiler 4,0 kW
1	1		2	2	1		2	2	4			V00100	Corpo bruciatore 4,0 kW	Burner body 4,0 kW	Corps bruleur 4,0 kW	Brennerkörper 4,0 kW
	1		2	3	1		2	3	5			V00400	Spartifiamma 6,0 kW	Flame spreader 6,0 kW	Diffuseur de flamme 6,0 kW	Flammenverteiler 6,0 kW
	1		2	3	1		2	3	6			V00200	Corpo bruciatore 6,0 kW	Burner body 6,0 kW	Corps bruleur 6,0 kW	Brennerkörper 6,0 kW
1	1		2	2	1		2	2	7			V01800	Coppa bruciatore 4,0 kW	Scoop burner 4,0 kW	Godet bruleur 4,0 kW	Brennerschale 4,0 kW
1	2	2	3	4	2	2	3	4	8			X13300	Termocoppia fuoco poster.	Rear ring thermocouple	Thermocouple feu poster.	Thermoem. Hintere kochst.
1	2	2	3	4	2	2	3	4	9			X14200	Termocoppia fuoco anter.	Front ring thermocouple	Thermocouple feu anter.	Thermoel. Vordere kochst.
1	3	4	4	6	3	4	4	6	10			V01900	Coppa bruciatore 6,0 kW	Cup burner 6,0 kW	Coupelle bruler 6,0 kW	Brennerkappe 6,0 kW
1	1		2	2	1		2	2	11A			X33600	Iniettore gpl fuoco 4,0 kW	Ring lpg injector 4,0 kW	Injecteur gpl feu 4,0 kW	Gasdüse gpl kochst. 4,0 kW
1	1		2	3	1		2	3	11B			X34600	Iniettore metano fuoco 4,0 kW	Ring natural gas inject. 4,0 kW	Injecteur methane feu 4,0 kW	Gasdüse methan kochst. 4,0 kW
2	4	4	6	8	2	4	6	8	12			V01100	Porta iniettore	Injector-holder	Porte-injecteur	Düsenträger
	2	4	2	3	2	4	2	3	13A			X34700	Iniettore 9,5 kW /GPL	LPG injector 9,5 kW	Injecteur gaz GPL 9,5 kW	Gasdüse GPL 9,5 kW
1	2	4	2	3	2	4	2	3	13B			X36000	Iniettore 9,5 kW/metano	Natural gas injector 9,5 kW	Injecteur gaz methane 9,5 kW	Gasdüse Methan 9,5 kW
1	1		2	3	1		2	3	14A			X34200	Iniettore 6,0 kW /GPL	LPG injector 6,0 kW	Injecteur gaz GPL 6,0 kW	Gasdüse GPL 6,0 kW
1	1		2	2	1		2	2	14B			X35200	Iniettore 6,0 kW/metano	Natural gas injector 6,0 kW	Injecteur gaz methane 6,0 kW	Gasdüse Methan 6,0 kW
1	1		2	2	1		2	2	15			X08100	Rubinetto fuoco	Gas ring cock	Robinet feu	Gashan kochstelle
1	1		2	2	1		2	2	16X			X11000	By Pass 4 kW	By Pass 4 kW	By Pass 4 kW	By Pass 4 kW
1	3	4	4	6	3	4	4	6	16Y			X04800	By Pass 6 kW e 9,5 kW	By Pass 6 kW e 9,5 kW	By Pass 66 kW e 9,5 kW	By Pass 6 kW e 9,5 kW
2	4	4	6	8	4	4	6	8	17			X14400	Pilota	Pilot	Veilleuse d'allumage	Zündflammenbrenner
1	2		4	5	2		4	5	18A			X30000	Iniettore pilota/GPL	LPG injector	Injecteur gaz GPL	Gasdüse GPL
1	2	4	2	3	2	4	2	3	18C			X30400	Iniettore pilota 9,5 kW /GPL	LPG injector 9,5 kW	Injecteur gaz GPL 9,5 kW	Gasdüse GPL 9,5 kW
2	4	4	6	8	4	4	6	8	18B			X30300	Iniettore pilota/metano	Natural gas injector	Injecteur gaz methane	Gasdüse Methan
2	4	4	6	8	4	4	6	8	19			0000Y65103	Manopola per fuoco	Gas ring knob	Cle de commande pour feu	Drehknopf für kochstelle
	1	1	1	2	1	1	1	2	20			Y65700	Maniglia forno	Oven handle	Poignée four	Backofengriff
			1				1		21			Y65500	Maniglia porta	Door handle	Pognée four	Turgriff
1	2	2	3	4	2	2	3	4	22			1550Y63500	Griglia scarico fumi	Smoke discharge grid	Grille évacuation des fumées	Rauchblassgitter
2	4	4	6	8	4	4	6	8	23			V01500	Regolazione aria bruciatore	Burner air regulation	Règlage air bruler	Luftregelung Brenner
1	2	4	2	3	2	4	2	3	24			V02600	Spartifiamma 9,5 kW	Flame spreader 9,5 kW	Diffuseur de flamme 9,5 kW	Flammenverteiler 9,5 kW
1	2	4	2	3	2	4	2	3	25			V02500	Corpo bruciatore 9,5 kW	Burner body 9,5 kW	Corps bruleur 9,5 kW	Brennerkörper 9,5 kW



Pezzi/Pieces Pieces/Anzahl										Pos.	Validità dalla matricola Validité du numéro matricule Validity from serial number Gültigkeit ab der (Seriennummer)	Validità alla matricola Validity up to serial number Validité au numéro matricule Gültigkeit bis zur (Seriennummer)	Codice Code Artikel Nummer	Descrizione	Description	Description	Beschreibung
K4FSFCE	K4FZFE	K1PFCE	K4PFCE	K4VFCE	K4FZSFCFCE	K6FZFE	K2FTPFCE	K6PFCE	K8FZFE								
1	1	1	1	1	1	1	1	1	2	1			X50900	Lampada verde	Green light	Lampe vert	Grüne Kontrolllampe
1	1	1	1	1	1	1	1	1	2	2			X68204	Commutatore	Selector switch	Commutateur	Schalter
1	1	1	1	1	1	1	1	1	2	3			0000Y65008	Manopola commutatore	Selector knob	Bouton commutat.	Umschaltknopf
1	1	1	1	1	1	1	1	1	2	4			0000Y65004	Manopola termostato	Knob thermostat	Cle de commande thermoc.	Drehknop thermostat
1	1	1	1	1	1	1	1	1	2	5			1000X05600	Guarnizione porta	Door seal	Joint porte	Türdichtung
1	1	1	1	1	1	1	1	1	2	6			X68205	Termostato	Oven thermostat	Thermostat	Thermostat
1	1	1	1	1	1	1	1	1	2	7			X41200	Lampada gialla	Yellow light	Lampe jaune	Gelbe kontrolllampe
2	2	2	2	2	2	2	2	2	4	8			V05900	Reggigriglia sx/dx	R.H. grid support	Appui grille gauche	Oberer heizwiderstand
1	1	1	1	1	1	1	1	1	2	9			X66100	Cerniera sx	L.H. hinge	Charniere gauche	Rostauflegeschiene L.
1	1	1	1	1	1	1	1	1	2	10			X68203	Resistenza inferiore	Bottom resistance	Resistance inferieure	Unterer heizwiderstand
1	1	1	1	1	1	1	1	1	2	11			G11PF	Griglia	Grid	Grille	Rost
1	1	1	1	1	1	1	1	1	2	12			X66000	Cerniera dx	R.H. hinge	Charniere droite	Scharnier rechts
1	1	1	1	1	1	1	1	1	2	13			X68202	Resistenza superiore	Top resistance	Resistance superieure	Oberer heizwiderstand
1	1	1	1	1	1	1	1	1	2	14			V03000	Motoventilatore	Electric fan	Moto-ventilateur	Motorventilator
1	1	1	1	1	1	1	1	1	2	15			V05400	Isolamento	Insulation	Isolation	Isolierung
1	1	1	1	1	1	1	1	1	2	16			Y65700	Maniglia forno	Oven handle	Poignée four	Backofengriff
1	1	1	1	1	1	1	1	1	2	17			X68002	Resistenza	Resistance	Resistance	Resistenz
1	1	1	1	1	1	1	1	1	2	18			X59000	Morsettiera	Terminal board	Barrette de raccordement	Klemmleiste
4	4	4	4	4	4	4	4	4	4	19			Y40400	Piedino	Foot	Pied	Fuss