

541271801 (64)  
541272001 (68)

537048600

537045600 (64)  
537045700 (68)

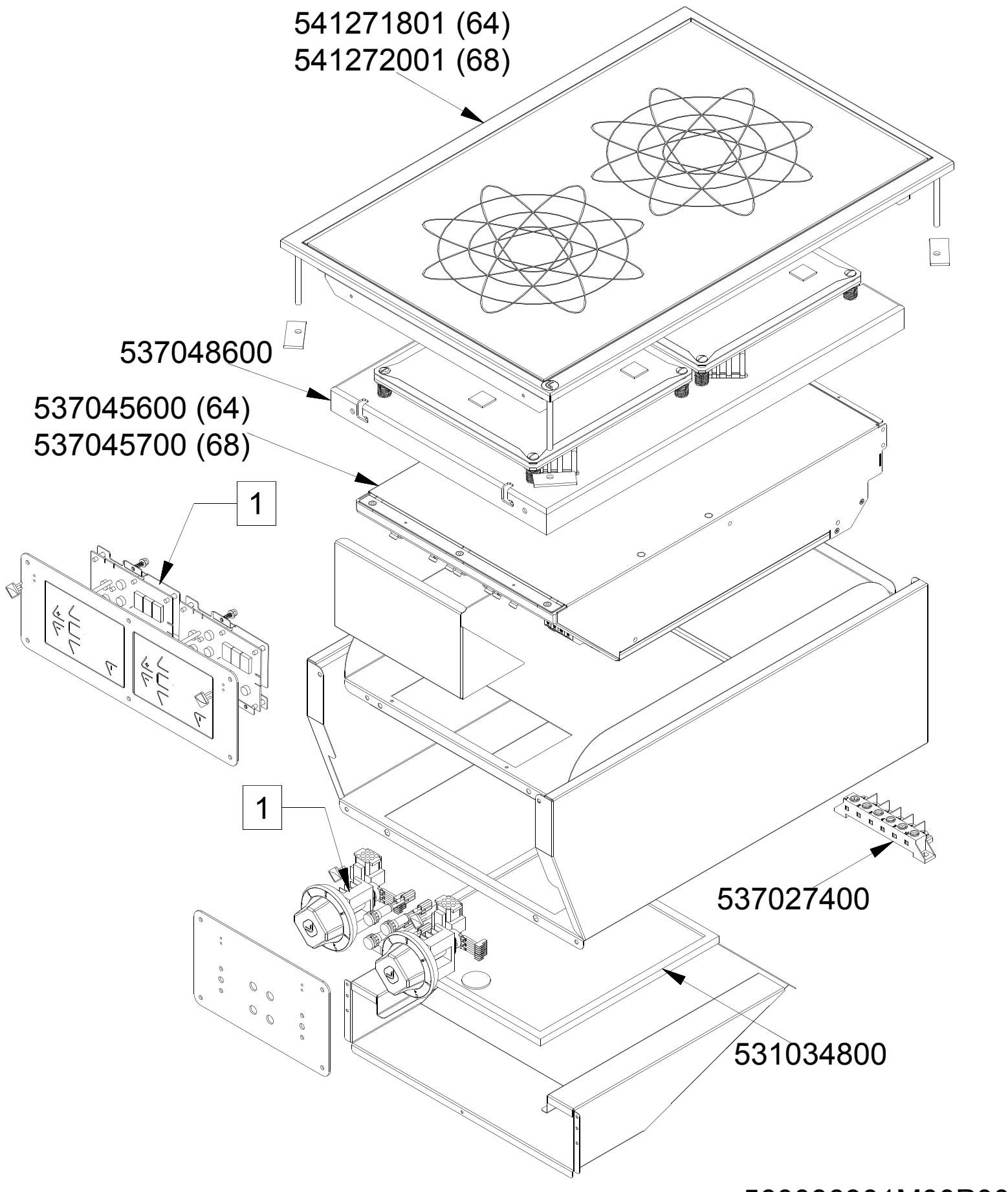
1

1

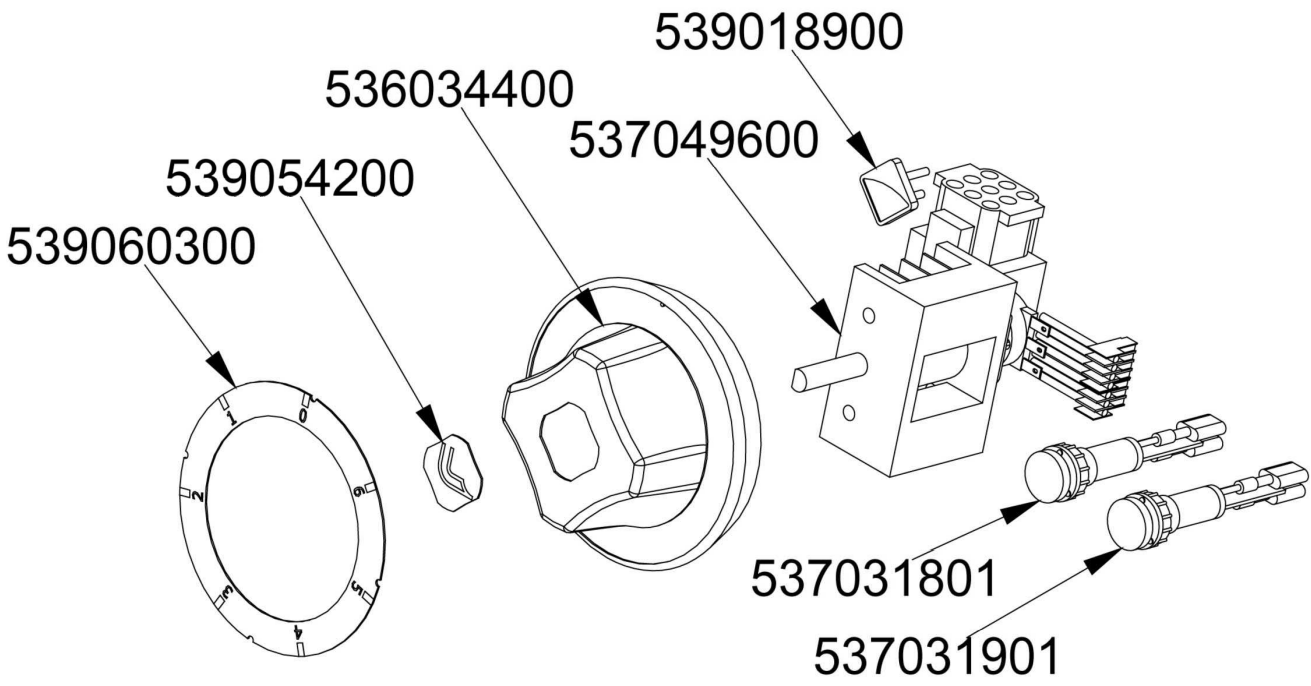
537027400

531034800

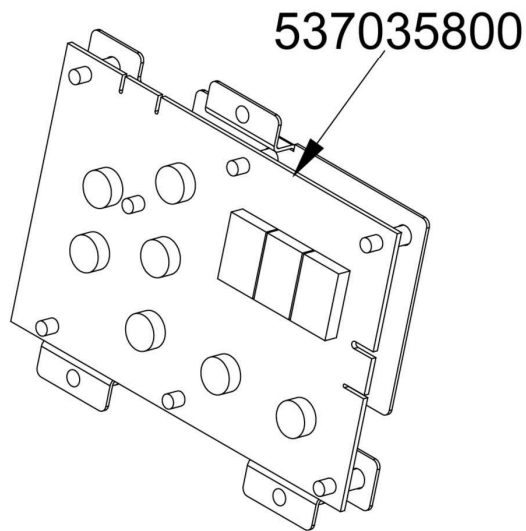
560086901M00P00



# (ET)



# (ETD)



560099501M00P00

Page	Pos	Code	Description
001		541272001	UPPER PLAN DROP IN PCID-68ET V
001		537048600	PLATE WITH INDUCTORS S70
001		537045700	GENERATOR PCI-78 10KW 400V3 (C
001		537027400	TERMINAL BLOCK THREEPHASE 40A
001		531034800	NET FILTER FOR KSK
002		539018900	INDEX FOR KNOB W/RED SIGN
002		536034400	KNOB \$77 4P. \$06*4,6 C/M
002		537049600	COMPLETE CONTROL FOR INDUCTORS
002		539054200	STAMP Ø20,5 CR. "L" LOTUS R.
002		539060300	RED ADESIVE DISK FOR PCC/PCI-E
002		537031801	GREEN WARNING LIGHT 12V E FASTON
002		537031901	RED WARNING LIGHT PCI 12V E FASTON
002		537035800	TOUCH ELECTRONIC BOARD FOR PCI