

# ACM 85

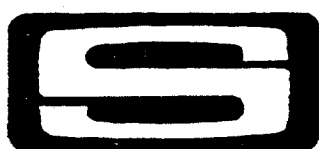
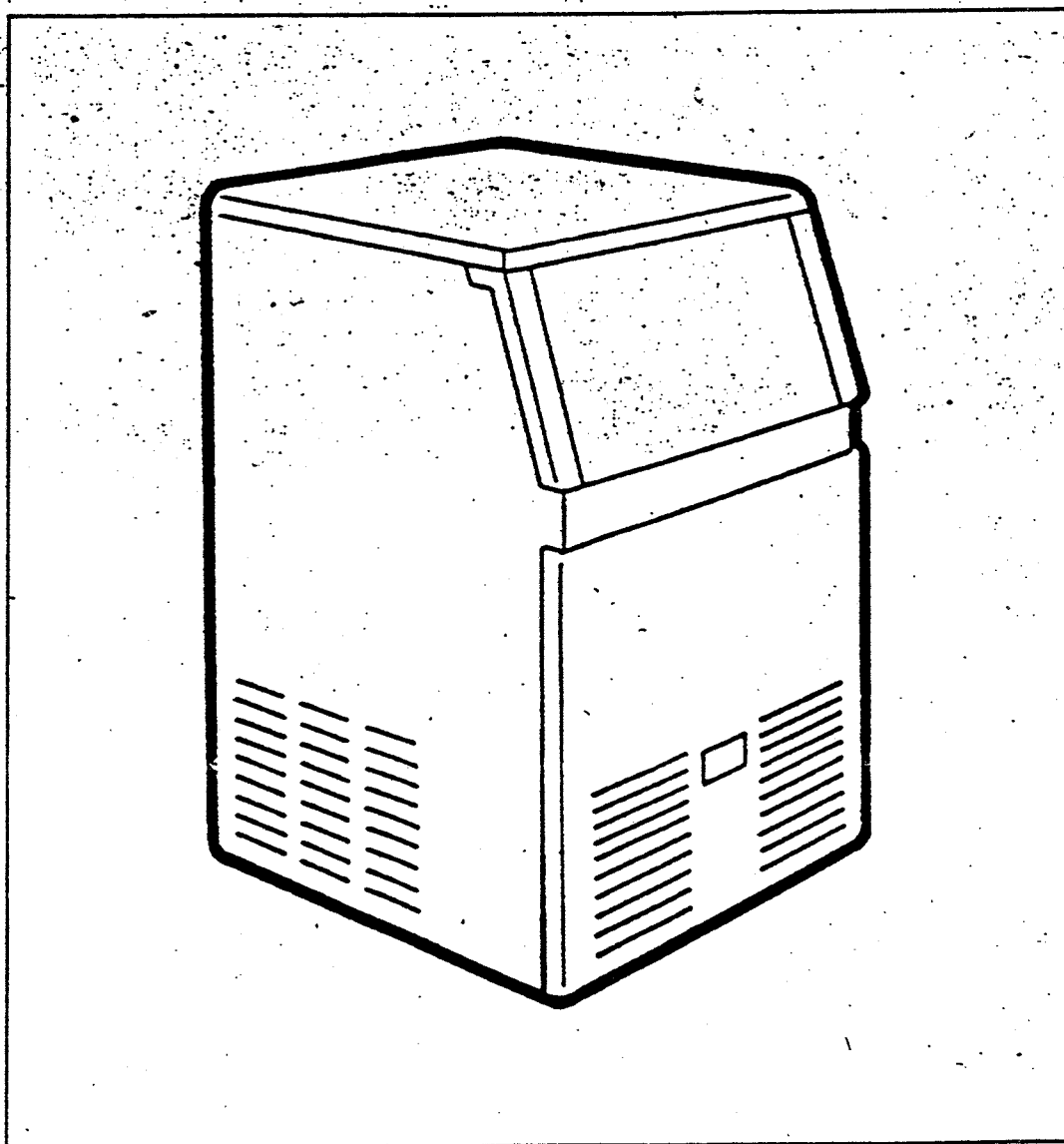
## Electronic cuber with storage

Spare parts list

Catalogo ricambi

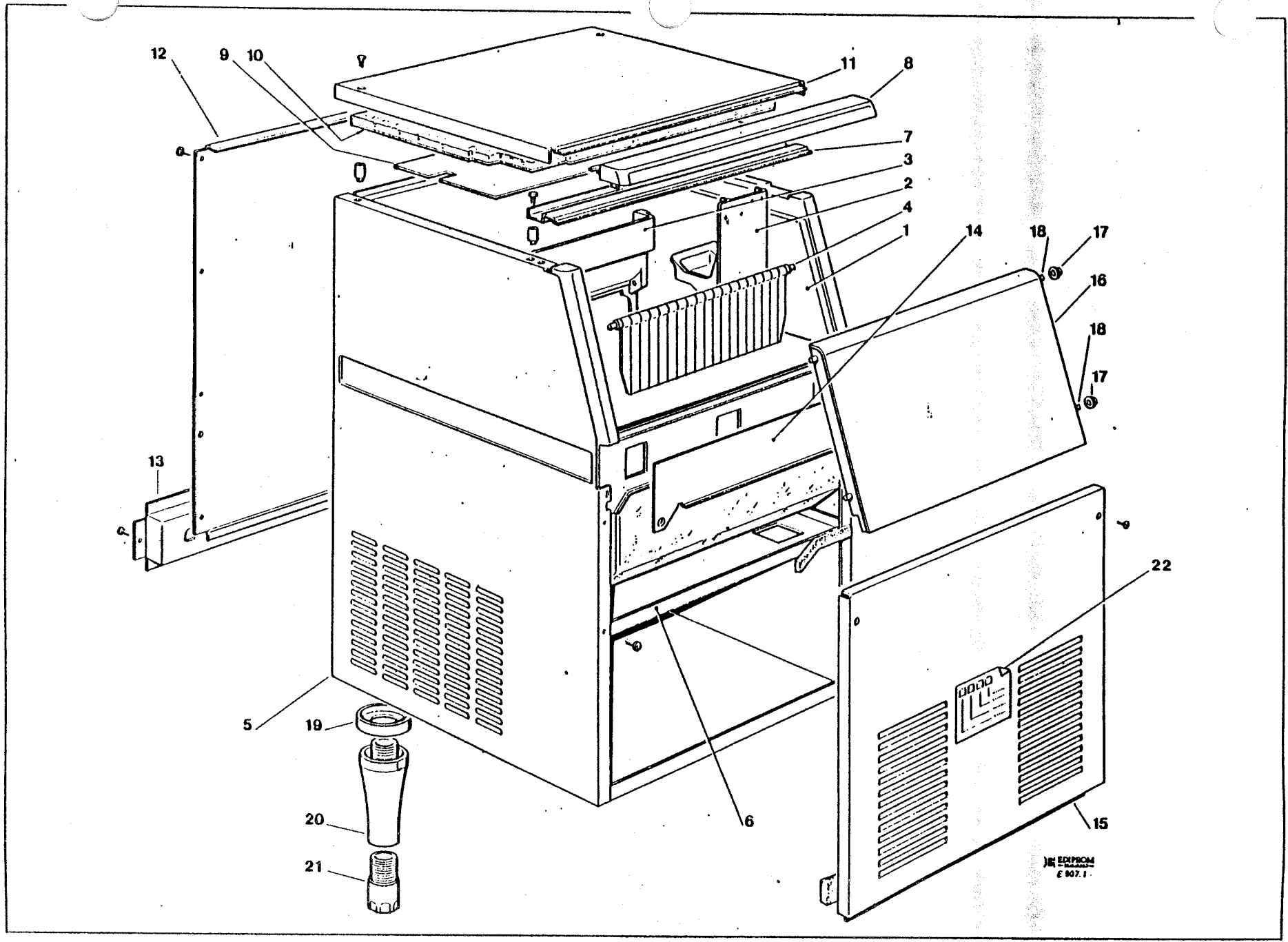
Catalogues pièces détachées

Ersatzteilkatalog



**SCOTSMAN®**

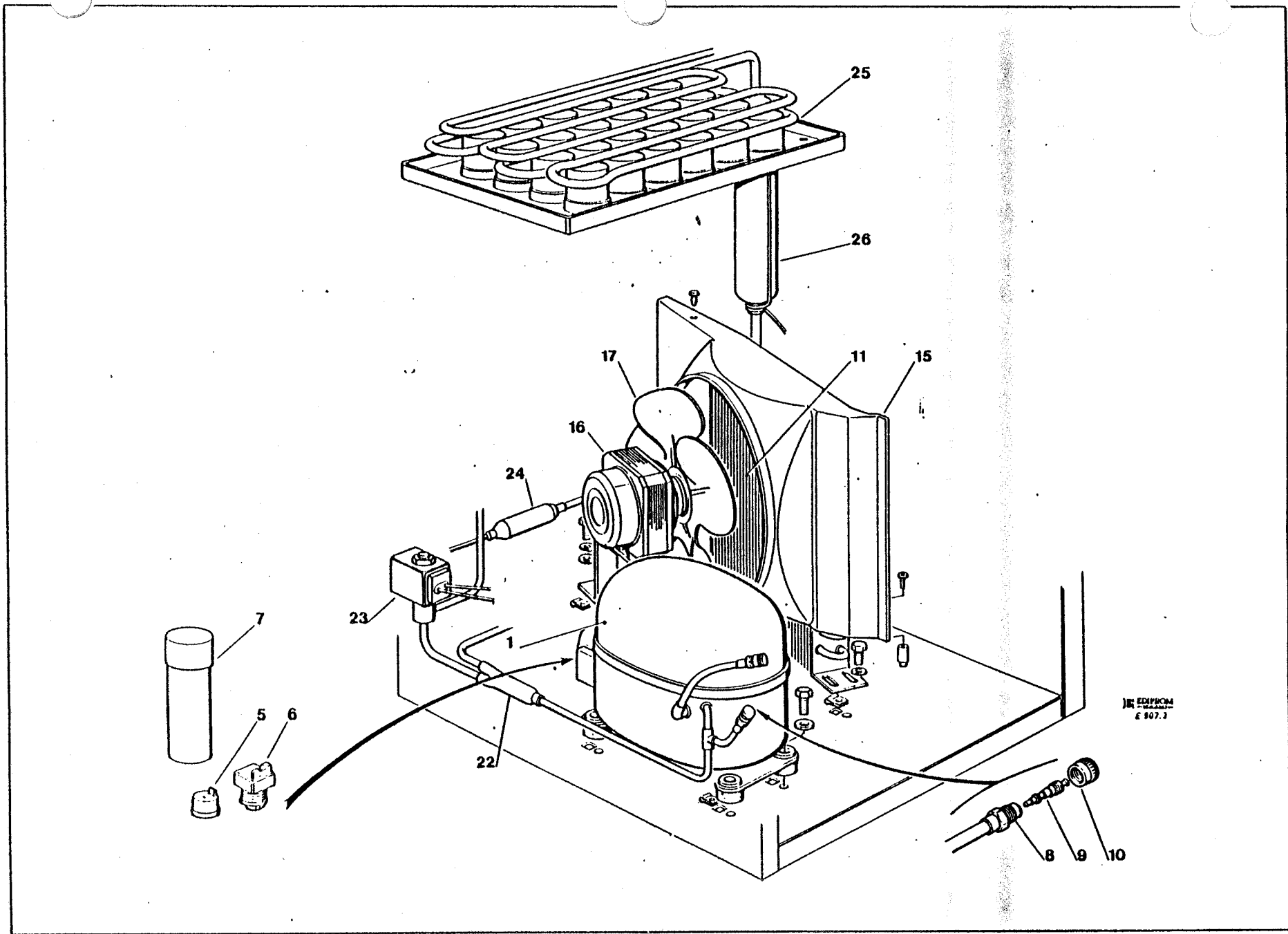
**ICE SYSTEMS**



EPSON  
E 907.F

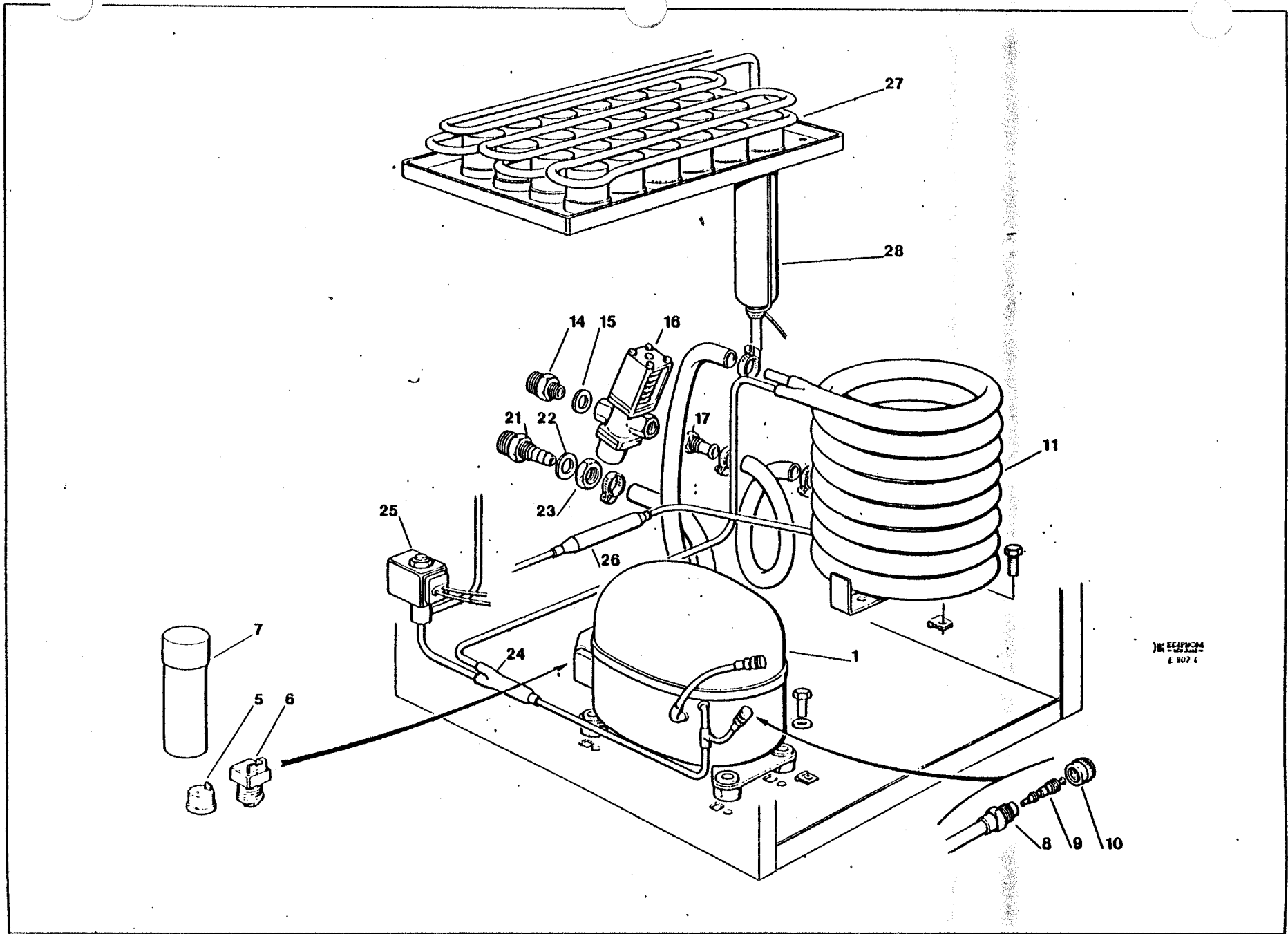
## ACM 85 - UNIT PANELS - ASSIEME MOBILE - ENS. CARROSSERIE - MACHINE GEHAUSE

ITEM NO POS NO REP. NO REF. NO	PART NO - CODICE REFERENCE - STUECK NR		DESCRIPTION	DESCRIZIONE	DESIGNATION	BESCHREIBUNG
		'95 VERSION				
1	782070 08	782070 12	INSULATED STORAGE BIN	CELLA ISOLATA	CABINE STOCKAGE ISOLÉE	ISOLIEREISSPEICHER
2	742101 00	742101 03	PUMP BRACKET	SUPPORTO POMPA	SUPPORT POMPE	PUMPENTRÄGER
3	660469 00	660469 01	CURTAIN BRACKET	SUPPORTO TENDINA	SUPPORT RIDEAU	JALOUSIETRÄGER
4	784169 09	784169 09	CURTAIN ASSY	ASSIEME TENDINA	ENSAMBLE RIDEAU	JALOUSIE
5	781306 13	781306 22	UNIT FRAME S.S.	ASSIEME TELAIO INOX	ENSAMBLE CHASSIS ACIER INOX	EDELSTAHL-CHASSIS RAHMEN
6	701940 00	—	METAL DIVIDER	SEPARATORE IN METALLO	SEPARATEUR METALLIQUE	METALTEILER
7	721455 00	721455 00	FRONT LINER METAL BRACKET	RINFORZO FRONTALE IN METALLO	SUPPORT FRONTAL METALLIQUE	METALTRÄGER
8	660468 00	660468 01	PLASTIC FRONT LINER	FRONTALINO IN PLASTICA	FRONTAL EN PLASTIQUE	PLASTIK VORDERTEIL
9	742033 00	742033 00	EVAPORATOR COVER	COPERCHIO EVAPORATORE	COUVERCLE ÉVAPORATEUR	VERDAMPFERDECKEL
10	784378 00	784378 00	UPPER INSULATION	ISOLAMENTO SUPERIORE	ISOLATION SUPERIEUR	ISOLIERUNG
11	701939 01	701939 01	TOP PANEL S.S.	PANNELLO SUPERIORE ACC. INOX	PANNEAU SUPERIEURE ACIER INOX	ABDECKHAUBE EDELSTAHL
12	701938 03	701938 03	REAR PANEL S.S.	PANNELLO POSTERIORE ACC. INOX	PANNEAU ARRIERE ACIER INOX	RUECKWAND EDELSTAHL
13	701945 01	701945 01	METAL BRACKET FOR FITTINGS S.S.	SUPPORTO ATTACCHI ACC. INOX	SUPPORT DE RACCORDS INOX	METALLTRÄGER EDELSTAHL
14	721451 02	721451 02	S.S. FRONT PLATE	PANNELLO FRONTALE ACC. INOX	BANDE ENTRETOISE ACIER INOX	EDELSTAHL-BANDSTREIFEN
15	701937 11	721620 00	FRONT PANEL S.S.	PANNELLO FRONTALE ACC. INOX	PANNEAU AVANT ACIER INOX	VORDERWAND EDELSTAHL
16	792009 05	660572 00	BIN DOOR ASSY	ASSIEME SPORTELLO	ENSAMBLE PORTE CABINE	SPEICHERTUER
17	660286 00	660286 00	DOOR RUNNER - BUSHING	BUSSOLA DI SCORRIMENTO	BAGUE DE COULISSAGE PORTE	TUERGLEITBUCHSE
18	660351 01	660351 01	BIN DOOR PIN	PERNO SPORTELLO	PIVOT PORTE CABINE	SPEICHERTUER STIFT
19	660516 00	660516 00	LEG SOCKET COLLAR	COPRIGHIERA PIEDINI	COLLIER DE SOCLE PIEDS	FUESSENIPPELRING
20	660466 00	660466 00	LEG	PIEDINO	PIED	FUESSE
21	660258 00	660258 00	LEG LEVELLER	VITE DI REGOLAZIONE	VIS DE REGLAGE DES PIEDS	NIVELLIERUNGSHUELSE
22	650624 00	650624 00	LABEL	ADESIVO SEGNALETICO	ETIQUETTE	ETIKETT



**ACM 85 - REFRIGERANT SYSTEM AIR COOLED - SISTEMA REFRIGERANTE RAFFR. AD ARIA**  
**CIRCUIT FRIGORIFIQUE REFROID. PAR AIR - LUFTGEKÜHLT GEFRIERSYSTEM**

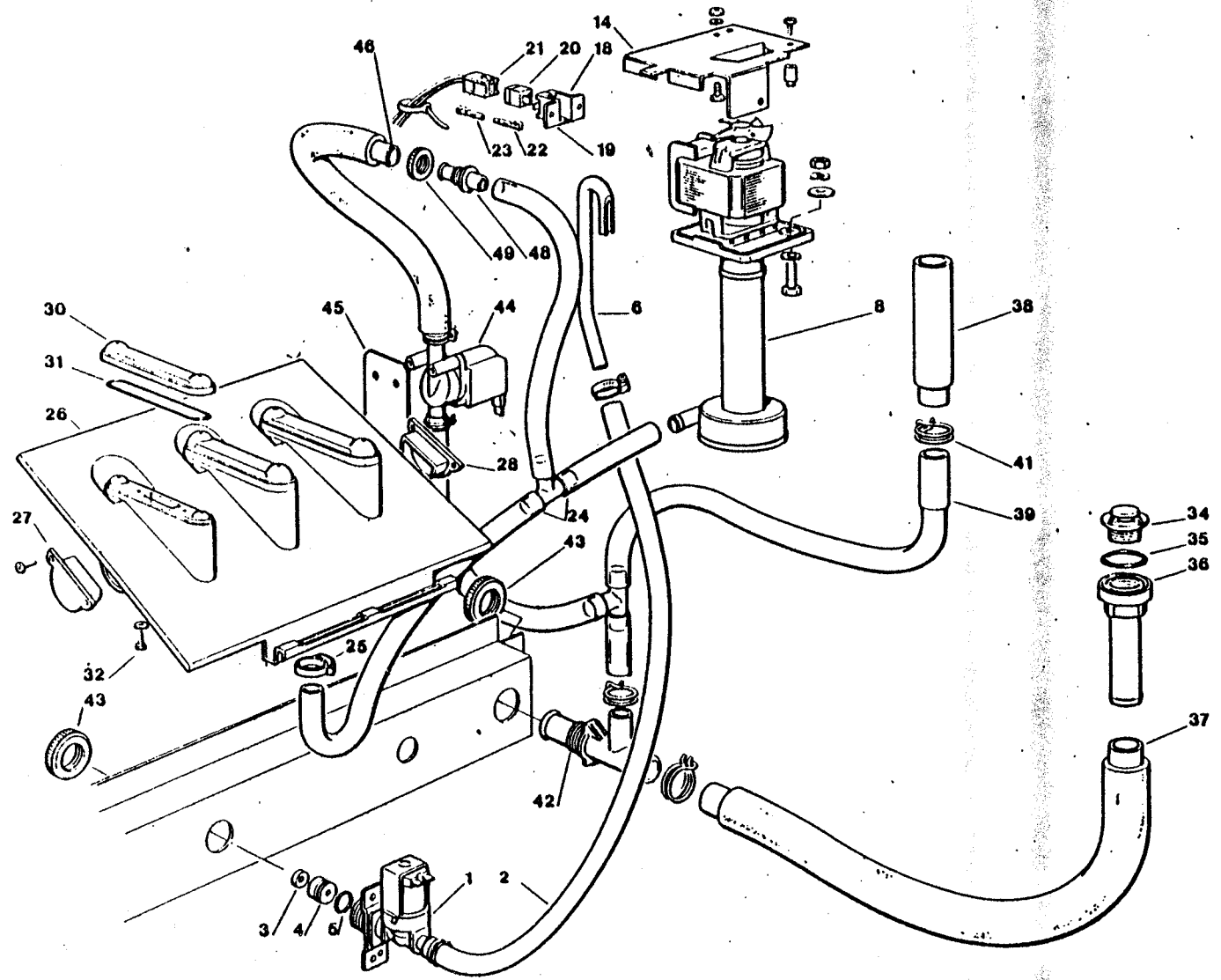
ITEM NO POS NO REP. NO REF. NO	PART NO - CODICE REFERENCE - STUECK NR		DESCRIPTION	DESCRIZIONE	DESIGNATION	BESCHREIBUNG
		'95 VERSION				
1	670097 00	670097 00	COMPRESSOR ASSY	ASSIEME COMPRESSORE	ENSAMBLE COMPRESSEUR	KOMPRESSOR
5	620058 46	620058 46	PROTECTOR	PROTETTORE	PROTECTEUR	SCHUTZGERAT
6	620057 31	620057 31	RELAY	RELE	RELAIS	RELAIS
7	620167 23	620167 23	START CAPACITOR	CONDENSATORE D'AVVIAMENTO	CAPACITE DE DEMARRAGE	START KONDENSATOR
8	650109 00	650109 00	VALVE BODY	CORPO VALVOLA	CORPS DE VANNE	VENTILGEHAUSE
9	670012 00	670012 00	VALVE PISTON	PISTONCINO VALVOLA	PISTON	VENTILKOLBEN
10	650106 00	650106 00	VALVE CAP	CAPPuccio VALVOLA	CAPUCHON DE VANNE	VENTILKLAPPE
11	620276 02	620421 00	AIR COOLED CONDENSER	CONDENSATORE AD ARIA	CONDENSEUR A AIR	LUFT KONDENSATOR
15	660484 02	—	CONDENSER SHRCUD	CONVOGLIATORE CONDENSATORE	COQUE DU CONDENSEUR	KONDENSATOR DECKBAND
16	620003 10	620419 02	FAN MOTOR	MOTORE VENTILATORE	MOTEUR DU VENTILATEUR	LUFTER MOTOR
17	620007 03	620419 32	FAN BLADE	VENTOLA	HELICE	FLUEGEL
22	630020 01	630020 01	MECHANICAL FILTER	FILTRO MECCANICO	FILTRE MECANIQUE	MECHANISCHFILTERN
23	620306 21 620306 28	620306 21 620306 28	HOT GAS VALVE ASSY HOT GAS VALVE COIL	ASSIEME VALVOLA GAS CALDO BOBINA VALVOLA GAS CALDO	ENSAMBLE VANNE GAZ CHAUD BOBINE VANNE GAZ CHAUD	HEISSGAZ VENTIL HEISSGAZ VENTIL SPULE
24	630003 04	630003 04	DRIER	FILTRO DEUMIDIFICATORE	FILTRE DESHYDRATEUR	TROCKNER
25	784297 00	784297 00	EVAPORATOR ASSY	ASSIEME EVAPORATORE	ENSAMBLE ÉVAPORATEUR	VERDAMPFER
26	784278 09	784278 09	SUCTION LINE/ACCUMULATOR	ACCUMUL. E LINEA ASPIRAZIONE	ENS. ASPIRATION/ACCUMULATEUR	SAMMLER UND SAUGLEITUNGEN



ИЗДАНИЕ  
E 907.4

**ACM 85 - REFRIGERANT SYSTEM WATER COOLED - SISTEMA REFRIGERANTE RAFFR. AD ACQUA**  
**CIRCUIT FRIGORIFIQUE REFROID. PAR EAU - WASSERGEKÜHLT GEFRIERSYSTEM**

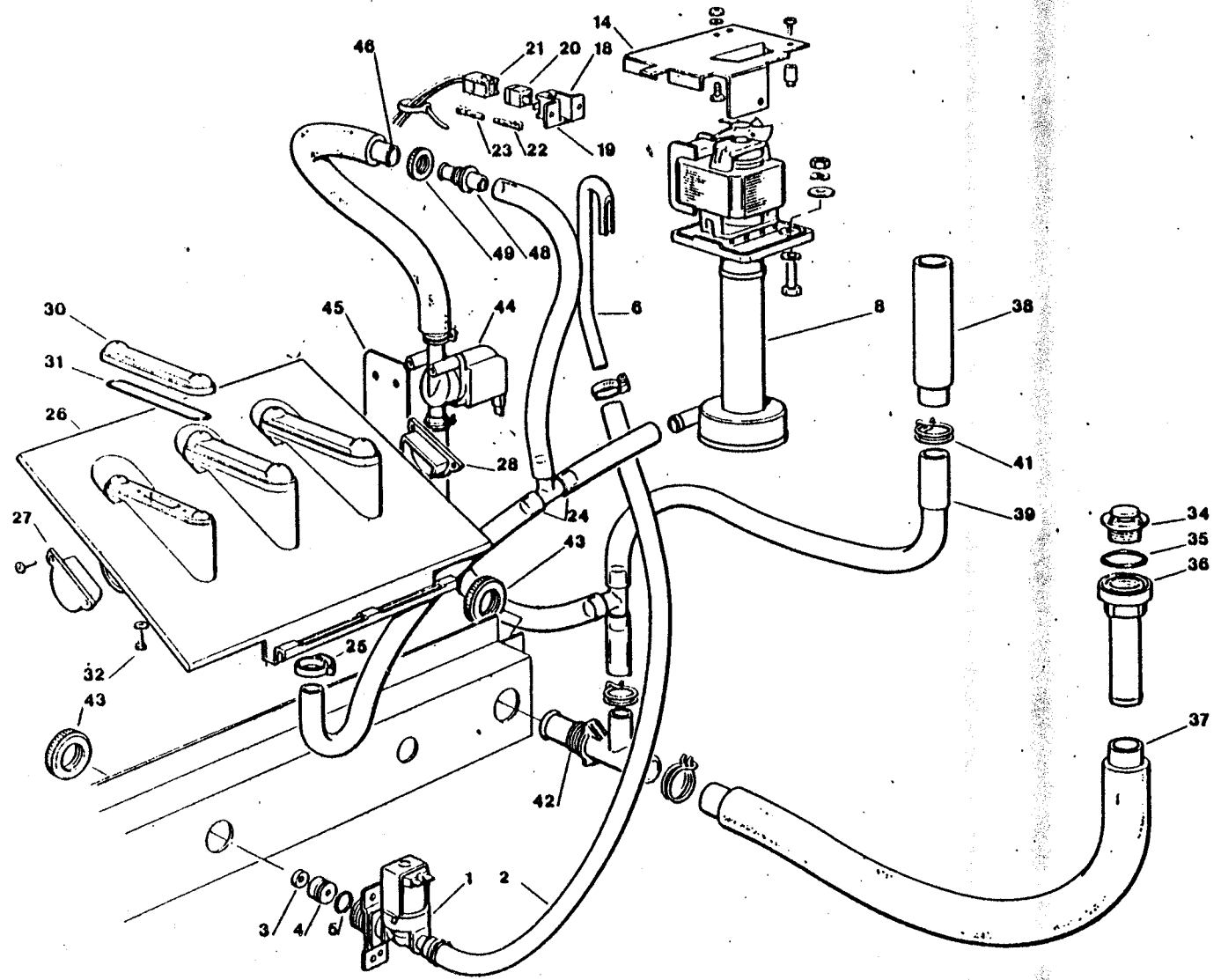
ITEM NO POS NO REP. NO REF. NO	PART NO CODICE REFERENCE STUECK NR	DESCRIPTION	DESCRIZIONE	DESIGNATION	BESCHREIBUNG
1	670097 00	COMPRESSOR ASSY	ASSIEME COMPRESSORE	ENSAMBLE COMPRESSEUR	KOMPRESSOR
5	620058 46	PROTECTOR	PROTETTORE	PROTECTEUR	SCHUTZGERAT
6	620057 31	RELAY	RELE	RELAIS	RELAIS
7	620167 23	START CAPACITOR	CONDENSATORE D'AVVIAMENTO	CAPACITE DE DEMARRAGE	START KONDENSATOR
8	650109 00	VALVE BODY	CORPO VALVOLA	CORPS DE VANNE	VENTILGEHAUSE
9	670012 00	VALVE PISTON	PISTONCINO VALVOLA	PISTON	VENTILKOLBEN
10	650106 00	VALVE CAP	CAPPUCCIO VALVOLA	CAPUCHON DE VANNE	VENTILKLAPPE
11	620389 00	WATER COOLED CONDENSER	CONDENSATORE AD ACQUA	CONDENSEUR A EAU	WASSER KONDENSATOR
14	733204 00	WATER INLET FITTING	RACCORDO INGRESSO ACQUA	RACCORD ARRIVÉE EAU	WASSEREINLAUFROHR
15	400031 01	FIBER WASHER	RONDELLA IN FIBRA	RONDELLE EN FIBRE	FIBER SCHEIBE
16	62D111 00	WATER REGULATING VALVE	VALVOLA PRESSOSTATICA	VANNE REG. EAU PRESSOSTATIQUE	WASSERREGULIERUNGVENTIL
17	733094 03	WATER OUTLET FITTING	PORTAGOMMA	RACCORD SORTIE EAU	VENTIL SCHLAUCH
21	660291 00	3/4 GAS WATER DRAIN FITTING	SCARICO ACQUA DA 3/4 GAS	RACCORD EVACUATION 3/4 GAS	3/4 GAS SCHLAUCH
22	400031 00	FIBER WASHER	RONDELLA IN FIBRA	RONDELLE EN FIBRE	FIBER SCHEIBE
23	400030 01	NUT	DADO	ECROU	MUTTER
24	630020 01	MECHANICAL FILTER	FILTRO MECCANICO	FILTRE MECANIQUE	MECHANISCHFILTERN
25	620306 21 620306 28	HOT GAS VALVE ASSY HOT GAS VALVE COIL	ASSIEME VALVOLA GAS CALDO BOBINA VALVOLA GAS CALDO	ENSAMBLE VANNE GAZ CHAUD BOBINE VANNE GAZ CHAUD	HEISSGAZ VENTIL HEISSGAZ VENTIL SPULE
26	630003 04	DRIER	FILTRO DEUMIFICATORE	FILTRE DESHYDRATEUR	TROCKNER
27	764297 00	EVAPORATOR ASSY	ASSIEME EVAPORATORE	ENSAMBLE ÉVAPORATEUR	VERDAMPFER
28	764278 09	SUCTION LINE/ACCUMULATOR	ACCUMUL. E LINEA ASPIRAZIONE	ENS. ASPIRATION/ACCUMULATEUR	SAMMLER UND SAUGLEITUNGEN



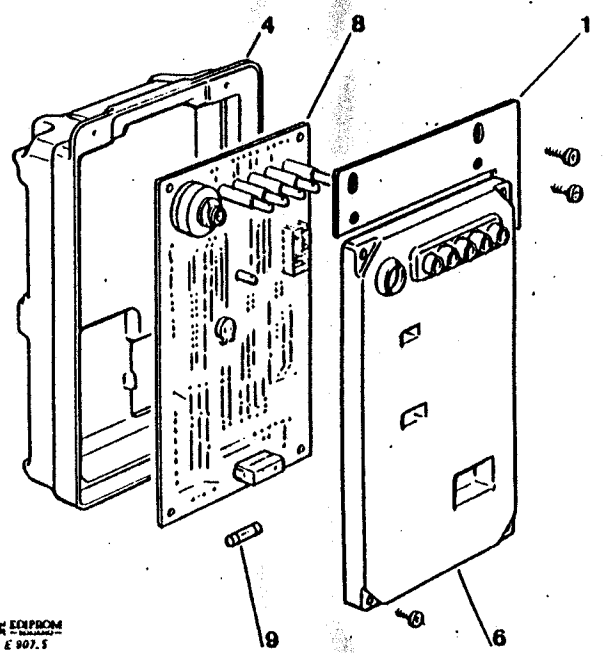
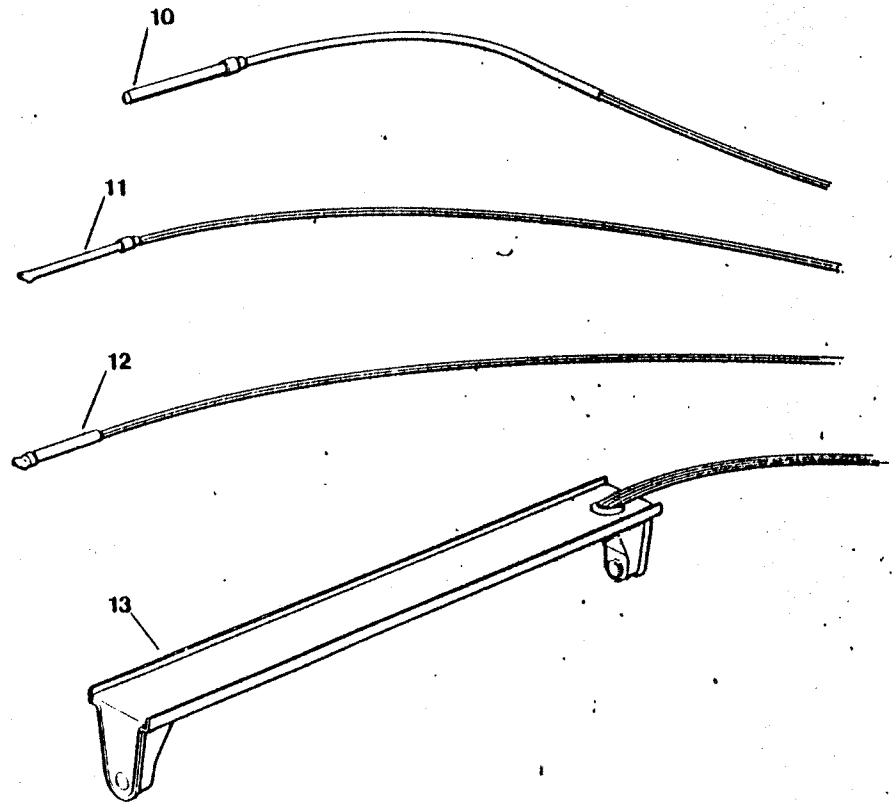


**ACM 85 - WATER SYSTEM - CIRCUITO IDRAULICO - CIRCUIT HYDRAULIQUE - WASSERSYSTEM**

ITEM NO POS NO REP. NO REF. NO	PART NO CODICE REFERENCE STUECK NR	DESCRIPTION	DESCRIZIONE	DESIGNATION	BESCHREIBUNG
1	650105 00	WATER INLET VALVE	VALVOLA INGRESSO ACQUA	VANNE ARRIVEE EAU	WASSEREINLAUFVENTIL
2	281900 01	WATER INLET TUBE-PER METER	TUBO INGRESSO ACQUA-PER METRO	TUYAU ARRIVEE EAU-POUR METRE	WASSEREINLAUFROHR-PRO METER
3	640022 01	FLOW CONTROL	CONTROLLO DI FLUSSO	CONTROLE DE DEBIT	DURCHFLUSSREGLER
4	733185 00	FLOW CONTROL BODY	CORPO CONTROLLO DI FLUSSO	CORPS CONTROLE DE DEBIT	DURCHFLUSSREGLER GEHAUSE
5	640110 00	O RING	GUARNIZIONE O R	JOINT TORIQUE	SIMMER RING
6	734481 06	WATER INLET COPPER PIPE	TUBO DI RAME INGRESSO ACQUA	TUYAU ENTREE EAU CUIVRE	WASSEREINLAUFROHR - CUPPER
8	793113 27	WATER PUMP ASSY	ASSIEME POMPA	ENSAMBLE POMPE A EAU	WASSER PUMPE
14	723072 00	METAL BRACKET	SUPPORTO IN METALLO	SUPPORT METALLIQUE	METALLTRAEGER
18	660474 00	MALE TERMINAL CONNECTOR BRKT RIGHT	SUPP. MORSETTO ELETT MASCHIO DX	SUPPORT PLOT MALE DROITE	AUSSENSTECKER HALTERUNG RECHT
19	660474 01	MALE TERMINAL CONNECTOR BRKT LEFT	SUPP. MORSETTO ELETT MASCHIO SX	SUPPORT PLOT MALE GAUCHE	AUSSENSTECKER HALTERUNG LINK
20	745007 00	MALE TERMINAL PLASTIC SEAT	SEDE MORSETTO MASCHIO	SIEGE EN PLASTIQUE DU PLOT MALE	AUSSENSTECKER SITZ.
21	630115 01	FEMALE TERMINAL PLASTIC SEAT	SEDE MORSETTO FEMMINA	SIEGE EN PLASTIQUE DU PLOT FEMELLE	STECKERHUELSE SITZ. DOSEN HALTER
22	630116 00	MALE TERMINAL CONNECTOR	MORSETTO MASCHIO	PLOT MALE	AUSSENSTECKER
23	630116 01	FEMALE TERMINAL CONNECTOR	MORSETTO FEMMINA	PLOT FEMELLE	STECKERHUELSEDOSE
24	610177 00	WATER TUBE - PUMP TO SPRAY SYSTEM	TUBO MANDATA POMPA	TUYAU POMPE PLAQUE D'ARROSAGE	SCHLAUCH PUMPE - SPRUHSYSTEME
25	650499 01	PLASTIC CLAMP	FASCETTA IN PLASTICA	COLLIER EN PLASTIQUE	PLASTIKFESTKLEMMEN
26	793129 02	SPRAY PLATEN ASSY	ASSIEME SPRUZZATORE	ENS. PLAQUE PULVERISATION EAU	SPRUHSYSTEM EINHEIT
27	660520 05	PLASTIC PLUG	TAPPO IN PLASTICA	BOUCHON EN PLASTIQUE	PLASTIKVERSTOPFEN
28	660520 04	PLASTIC PLUG	TAPPO IN PLASTICA	BOUCHON EN PLASTIQUE	PLASTIKVERSTOPFEN
30	660519 02	PLASTIC COVER	COPERCHIO IN PLASTICA	COUVERCLE EN PLASTIQUE	PLASTIKDECKEL
31	640041 20	O RING	GUARNIZIONE O R	JOINT TORIQUE	SIMMER RING
32	470017 00	SCREW	VITE	VIS	SCHRAUBE
34	660211 01	DRAIN FILTER	FILTRO SCRICO ACQUA	FILTRE EVACUATION EAU	ABFLUSSFILTER



35	640134 00	O RING	GUARNIZIONE O R	JOINT TORIQUE	SIMMER RING
36	660219 01	DRAIN FITTING	RACCORDO DI SCARICO	RACCORD EVACUATION	ABFLUSS STÜCK
37	610148 01	DRAIN TUBE	TUBO SCARICO	TUYAU EVACUATION	ABFLUSSROHR
38	660387 01	OVERFLOW STAND PIPE	TUBO TROPPO PIENO	TROP PLEIN	UEBERLAUFROHR
39	610180 00	OVERFLOW DRAIN TUBE	TUBO SCARICO TROPPO PIENO	TUYAU EVACUATION TROP PLEIN	UEBERLAUFABFLUSSROHR
42	660224 00	DRAIN T FITTING	RACCORDO DI SCARICO	RACCORD T D'EVACUATION	T STÜCK
43	660535 00	PLASTIC RING NUT	GHIERA IN PLASTICA	COLLIER DE SERRAGE EN PLASTIQUE	PLASTIKRING MUTTER
44	620406 00	WATER DRAIN VALVE	VALVOLA SCARICO ACQUA	VANNE VIDANGE EAU	WASSERABFLUSSVENTIL
45	721537 00	BRACKET	SUPPORTO	SUPPORT	METALTRÄGER
46	610173 00	TUBE	TUBO	TUYAU	ROHR
48	660534 00	PLASTIC FITTING	RACCORDO DI SCARICO	RACCORD EVACUATION	ABFLUSS STÜCK
49	660535 00	PLASTIC RING NUT	GHIERA IN PLASTICA	COLLIER DE SERRAGE EN PLASTIQUE	PLASTIKRING MUTTER



10 EQUIPMENT  
E 907.5

**ACM 85 - P.C. BOARD AND SENSOR ASSY - SCHEDA ELETTRONICA E SENSORI - ENS. CARTE ELECTRIQUE ET DETECTEURS  
ELEKTRONISCHE KARTE UND TEMPERATURFUEHLERENHEIT**

ITEM NO POS NO REP. NO REF. NO	PART NO CODICE REFERENCE STUECK NR	DESCRIPTION	DESCRIZIONE	DESIGNATION	BESCHREIBUNG
1	725023 00	METAL BRACKET	SUPPORTO IN METALLO	SUPPORT METALLIQUE	METALLTRÄGER
4	660546 00	PLASTIC CONTROL BOX	SCATOLA ELETTRICA	BOITE ELECTRIQUE	SCHALTSCHRANK
6	660547 00	CONTROL BOX COVER	COPERCHIO SCATOLA ELETTRICA	COUVERCLE BOITE DE COMMANDE	SCHALTSCHRANK DECKEL
8	620403 01	P. C. BOARD ASSY	ASSIEME SCHEDA ELETTRONICA	ENSAMBLE CARTE ELECTRONIQUE	GEDRUCKTE SCHALTUNG
9	630015 09 630015 10	FUSE (100 mA) FUSE (16 A)	FUSIBILE (100 mA) FUSIBILE (16 A)	FUSIBLE (100 mA) FUSIBLE (16 A)	SCHMELZSICHERUNG (100 mA) SCHMELZSICHERUNG (16 A)
10	620404 10	EVAPORATOR TEMP. SENSOR	SENSORE TEMP. EVAPORATORE	CAPTEUR TEMP. ÉVAPORATEUR	VERDAMPFERTEMPERATURFUEHLER
11	620404 01	CONDENSER TEMP. SENSOR	SENSORE TEMP. CONDENSATORE	CAPTEUR TEMP. CONDENSEUR	KONDENSATORTEMPERATURFUEHLER
12	620404 02	AMBIENT TEMP. SENSOR	SENSORE TEMP. AMBIENTE	CAPTEUR TEMP. AMBIANCE	RAUMTEMPERATURFUEHLER
13	783167 01	ICE LEVEL CONTROL ASSY	ASS. CONTR. LIVELLO GHIACCIO	ENS. DETECTEUR NIVEAU GLACE	EISNIVEAUFUEHLEREINHEIT

**COMPRESSOR CHART - TABELLA COMPRESSORI - TABLEAU COMPRESSEUR - KOMPRESSOR KARTE**

MODEL MODELLO MODELE MODELL	VOLTS TENSIONE TENSION SPANNUNG	COMPRESSOR MODEL MOD. COMPRESSORE TYPE COMPRESSEUR KOMPRESSOR TYP	COMPRESSOR COMPRESSORE COMPRESSEUR KOMPRESSOR	RELAY RELE' RELAIS RELAIS	PROTECTOR PROTETTORE PROTECTEUR SCHUTZGERAT	START CAPACITOR CAPACITA' D'AVV. CAPACITE DE DEMARRAGE START KONDENSATOR
ACM 85	115/60/1					
ACM 85	230/60/1	U.H. L 76 TN	670097 09	620057 37	620058 67	620167 29
ACM 85	220/50/1	U.H. L 76 TN	670097 00	620057 31	620058 46	620167 23

**ELECTRIC COMPONENTS CHART - TABELLA COMPONENTI ELETTRICI - TABLEAU COMPOSANTS ELECTRIQUE - ELEKTRISCHEKARTE**

MODEL MODELLO MODELE MODELL	VOLTS TENSIONE TENSION SPANNUNG	WATER PUMP POMPA POMPE A EAU WASSER PUMPE	FAN MOTOR ONLY MOTORE VENTILATORE MOTEUR VENTILATEUR LUFTER MOTOR	WATER INLET VALVE VALV. INGR. ACQUA V.E.M. ARRIVÉE EAU WASSEREIN.VENTIL	HOT GAS VALVE VALVOLA GAS CALDO V.E.M. GAZ CHAUDS HEISSGAZ VENTIL	P.C. BOARD SCHEDA ELETTRONICA CARTE ELECTRONIQUE ELEKTRONISCHE KARTE
ACM 85	115/60/1	793113 01	620419 03	650105 03	620306 29	620403 13
ACM 85	230/60/1	793113 02	620419 02	650105 00	620306 26	620403 12
ACM 85	220/50/1	793113 27	620419 02	650105 00	620306 26	620403 12