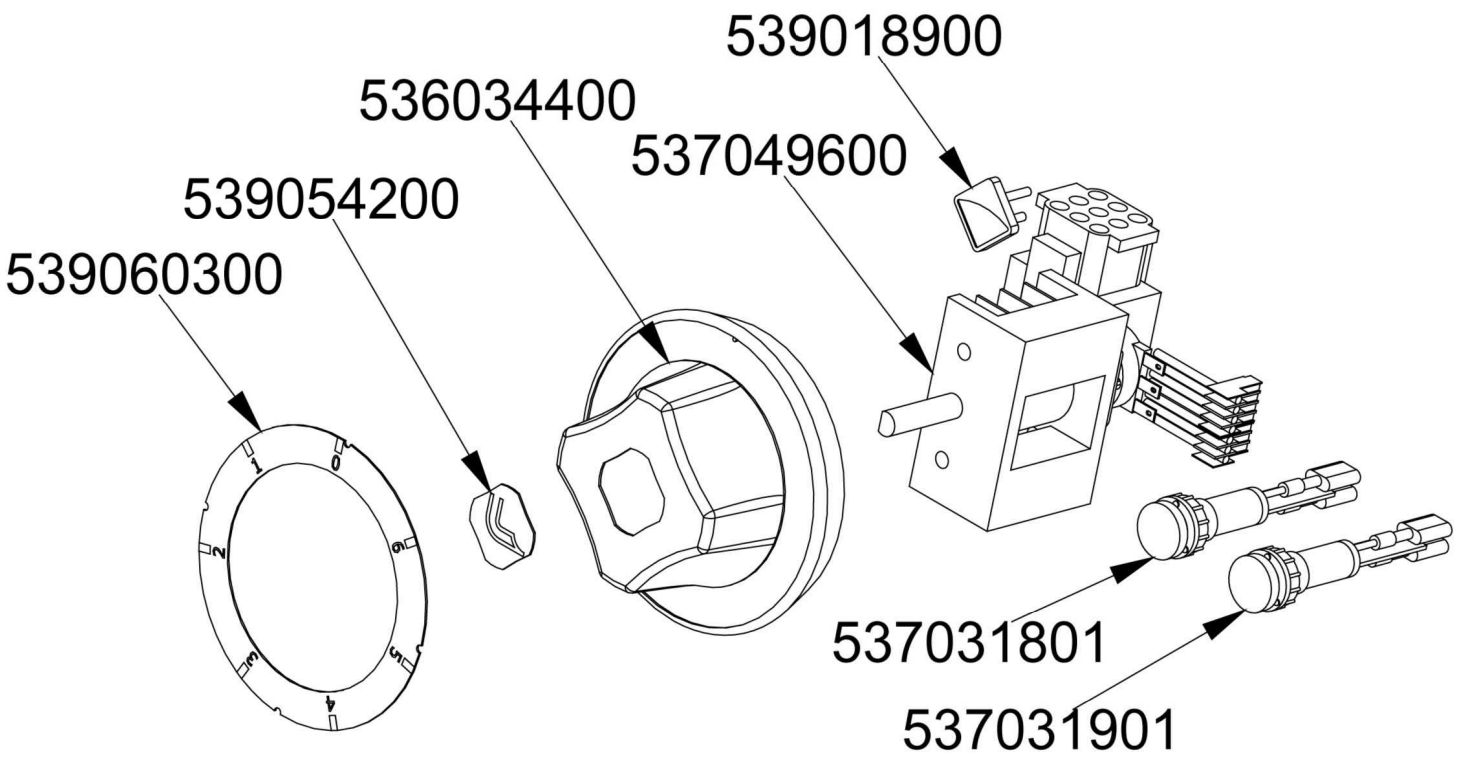
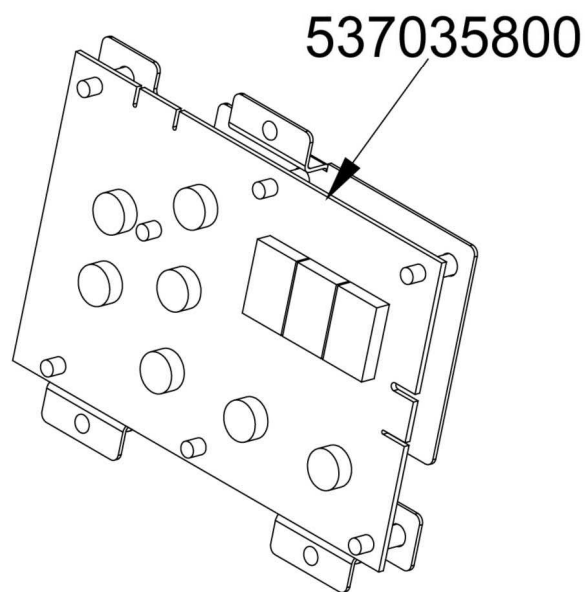


560041002M00P00

# (ET)



# (ETD)



Page	Pos	Code	Description
001		532004100	FLUE GRID L=370 90LINE (RAF
001		541134100	LOW SPACER 74 1 GRID
001		541112102	UPPER PLATE S70 PCI-74E VC
001		537048600	PLATE WITH INDUCTORS S70
001		537045600	GENERATOR PCI-74 5KW 400V3
001		544385600	LEFT SIDE OF 70T LINE
001		537027400	TERMINAL BLOCK THREEPHASE 40A
001		544385500	RIGHT SIDE OF 70T LINE
001		541196700	CONTROL PANEL S607090 PCIW-74ETD V
001		533010500	LEG M10*25 D.40
001		531034800	NET FILTER FOR KSK
002		539018900	INDEX FOR KNOB W/RED SIGN
002		536034400	KNOB §77 4P. §06*4,6 C/M
002		537049600	COMPLETE CONTROL FOR INDUCTORS
002		539054200	STAMP Ø20,5 CR."L" LOTUS R.
002		539060300	RED ADESIVE DISK FOR PCC/PCI-E
002		537031801	GREEN WARNING LIGHT 12V E FASTON
002		537031901	RED WARNING LIGHT PCI 12V E FASTON
002		537035800	TOUCH ELECTRONIC BOARD FOR PCI