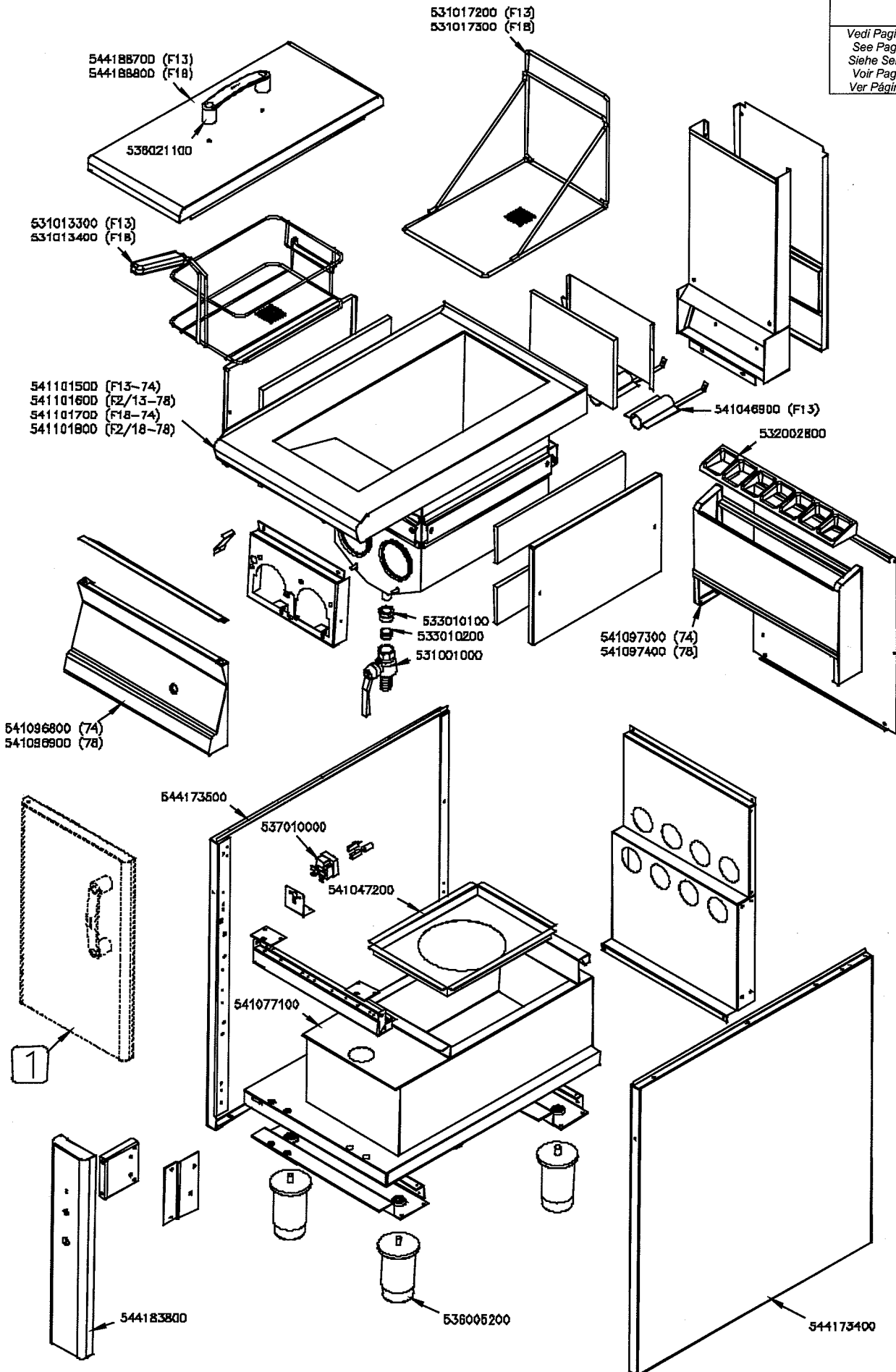
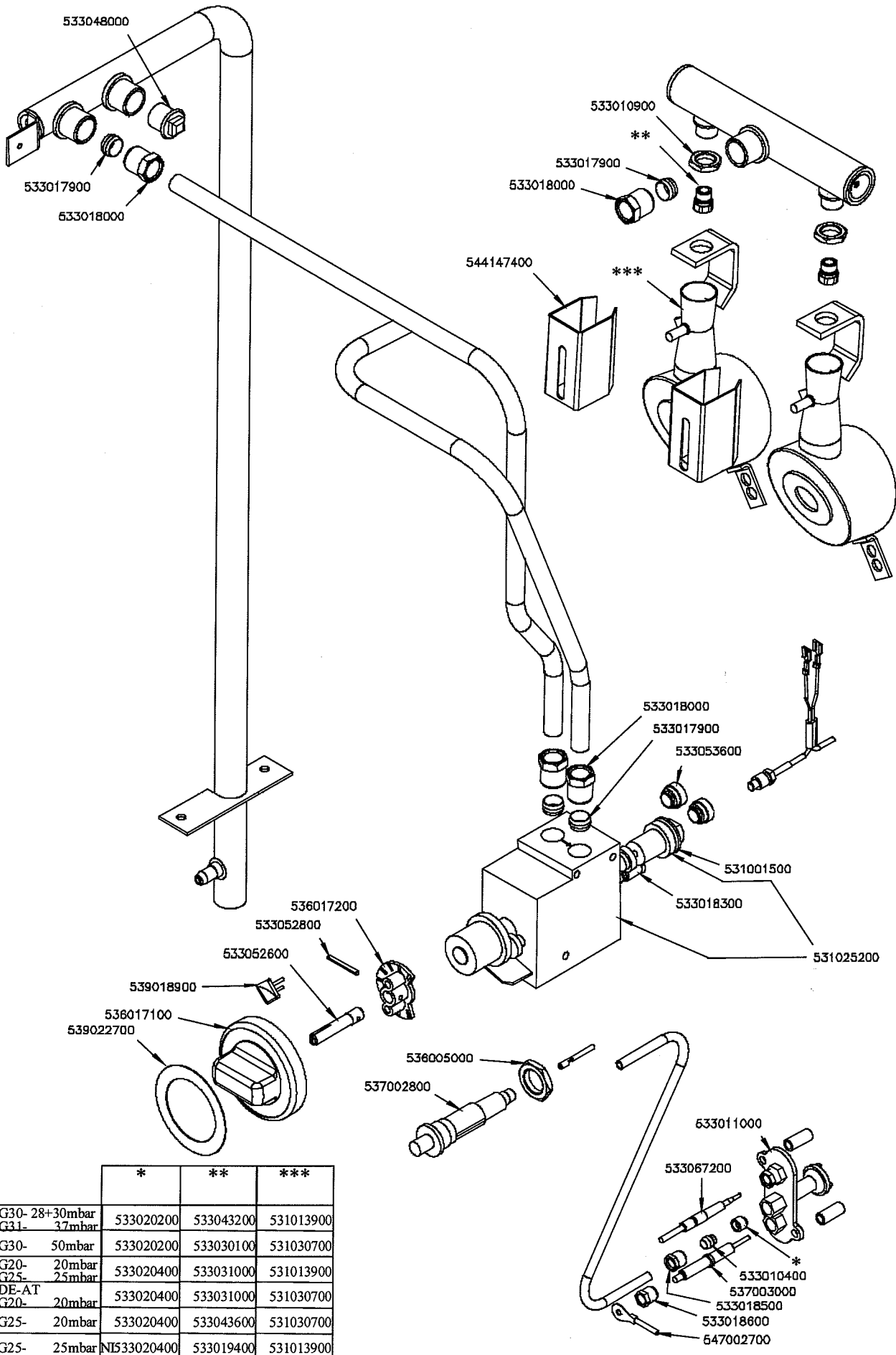


F13-74G F2/13-74G F18-74G F2/18-78G

Vedi Pagina See Page Siehe Seite Voir Page Ver Página	1 77
---	-------------

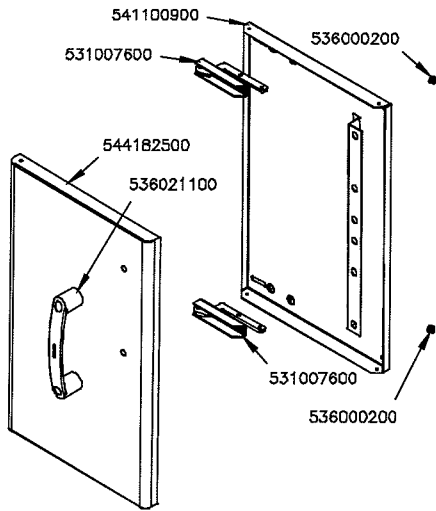


F13-74G F2/13-74G F18-74G F2/18-78G

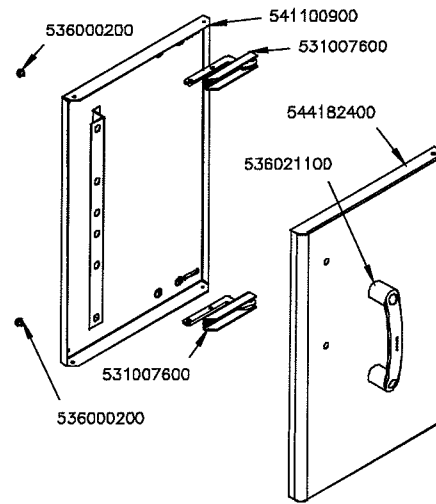


	*	**	***
G30- 28+30mbar			
G31- 37mbar	533020200	533043200	531013900
G30- 50mbar	533020200	533030100	531030700
G20- 20mbar	533020400	533031000	531013900
G25- 25mbar	533020400	533031000	531030700
DE-AT	533020400	533031000	531030700
G20- 20mbar	533020400	533031000	531030700
G25- 20mbar	533020400	533043600	531030700
G25- 25mbar	NI533020400	533019400	531013900

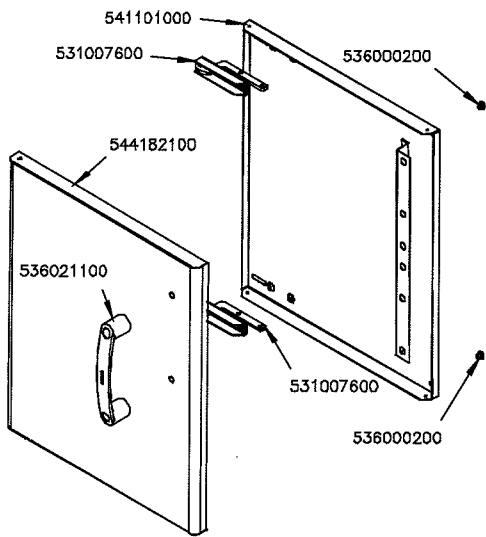
PORTE MOBILE / DOORS OF THE STAND / FLÜGELÜREN DES UNTERSCHRANK / PORTES DU PLACARD



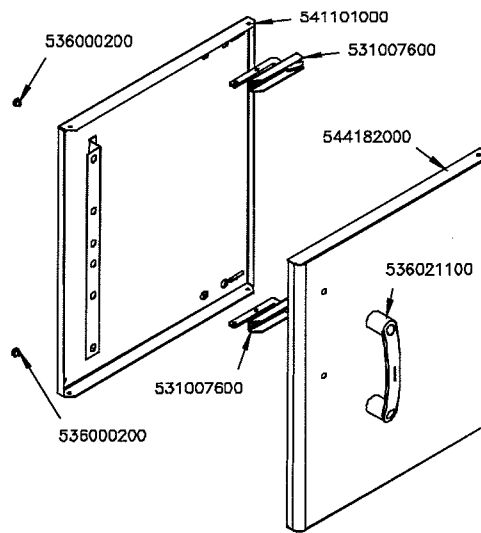
P-73 SX



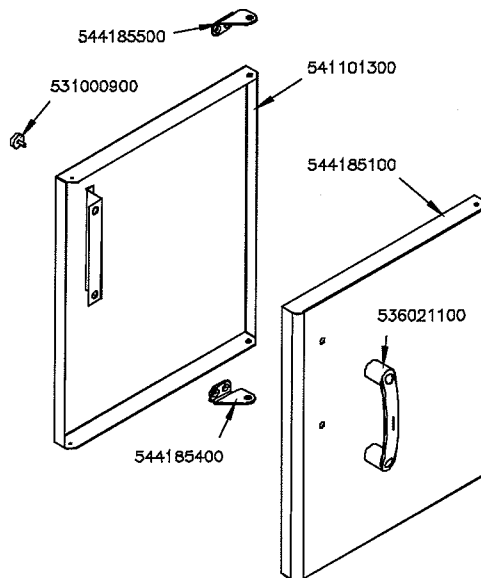
P-73 DX



P-74 SX



P-74 DX



P-74 DX CF

Page	Pos	Code	Description
001		544188800	TANK LID F18-74G
001		536021100	BLACK HANDLE 70LINE + 2RED POINTS
001		531013400	FRYER BASKET 15LTS.GAS/ELECTRIC
001		541101800	TOP OF F2/18-78G
001		541096900	CONTROL PANEL F2/13-78G F2/18-78G
001		544173500	LEFT SIDE PANEL S.70
001		537010000	SAFETY THERMOSTAT 220°C SINGLEPHASE
001		541047200	FILTER FOR DRIP TRAY
001		541077100	FILTER FOR DRIP TRAY 23L
001		544183800	LOWER CONTROL PANEL 74G
001		536005200	INOX LEG 2" 120-180 M10
001		544173400	RIGHT SIDE PANEL S.70
001		541097400	SPACER 78G - 2 DRAINS
001		532002800	GRID FOR PIPE L=370 S.70
001		531017300	TANK FILTER/BASKET SUPPORT FMG15/18
001		533010100	3/4 D. 18 PIPE UNION
001		533010200	BICONE 18S
001		531001000	DRAIN COCK 3/4" + HANDLE
002		533048000	THREADED CAP 3/8"G
002		533017900	BICONE D.12
002		533018000	ELBOW FOR BICONE D.12 3/8 RS L20
002		533010900	NUT M14*1 H.4
002		544147400	AIR ADJUSTMENT BUSHING FMG-FQ
002		533053600	EUROSIT VALVE PLUG
002		531001500	MAGNET FOR EUROSIT VALVE
002		533018300	FITTING WITH BICONE 6 M10*1
002		531025200	EUROSIT VALVE FQ 110-190°C
002		533011000	PILOT BURNER 3 FLAMES 320
002		533067200	THERMOCOUPLE 220+500 M9*1 CUT-OFF
002		536005000	NUT M18 FOR PIEZOELECTRIC IGNITION
002		537002800	PIEZOELECTRIC IGNITION M18
002		533010400	BICONE D.6
002		537003000	PLUG M4 - LONG ELECTRODE
002		533018500	FITTING FOR BICONE D.6 M10*1
002		533018600	PLUG FITTING
002		547002700	HIGH-VOLTAGE CABLE L=500
002		536017200	MATCHER REMOTE CONTROL EUROSIT
002		533052800	ELASTIC PEG §2,5*26
002		533052600	PIN FOR KNOB 65LINE
002		539018900	INDEX FOR KNOB
002		536017100	BLACK KNOB §70 PIN §8*6,5
002		539022700	ADHESIVE GRADUATED DISC FOR KNOB
002		533020200	PILOT JETS 0160 FOR LPG §30
002		533020400	NOZZLE 0160 (NATURAL GAS) 51
002		533043200	NOZZLE §110 G30 (LPG) CH12X14
002		533030100	NOZZLE §95 CH12*14 G-FP
002		533031000	NOZZLE §175 CH12X14
002		533043600	NOZZLE §200 CH12*14 L-PC4 UR
002		533019400	NOZZLE §180 CH12*14 L-FQ5
002		531013900	BURNER FMG-10/15
002		531030700	BURNER "S" FMG-10/15

Page	Pos	Code	Description
003		541100900	INNER DOOR 73
003		536000200	D.12 H.4 BUMPER
003		531007600	DOOR HINGE
003		544182500	RIGHT DOOR 73
003		536021100	BLACK HANDLE 70LINE + 2RED POINTS
003		544182400	RIGHT DOOR 73
003		541101000	INNER DOOR 74
003		544182100	LEFT DOOR 74
003		544182000	RIGHT DOOR 74
003		544185500	UPPER DOOR HINGE FOR COMPARTME CF70
003		531000900	MAGNET §22 KG.3 WITH DISK
003		541101300	RIGHT INNER DOOR 74 CF
003		544185100	RIGHT DOOR 74
003		544185400	LOWER DOOR HINGE FOR COMPARTME CF70